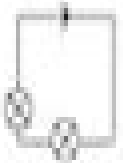
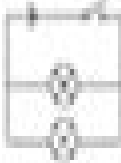




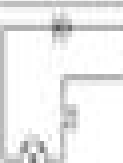
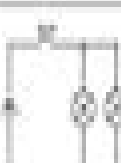


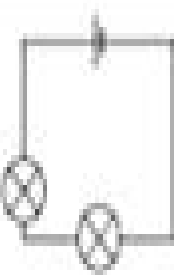
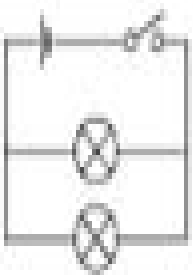
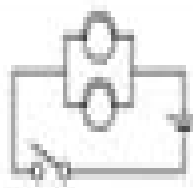
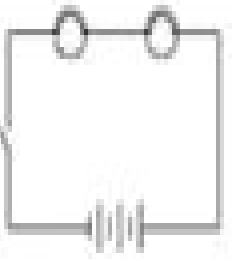
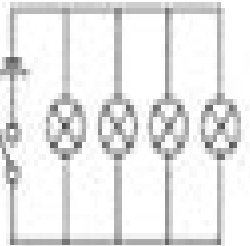
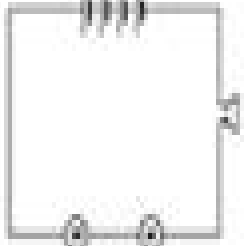
## Series and Parallel Circuits

Look at each circuit diagram. Determine if it is an example of a series or parallel circuit.

1.  _____	2.  _____
3.  _____	4.  _____
5.  _____	6.  _____
7.  _____	8.  _____

## Series and Parallel Circuits

Look at each circuit diagram. Determine if it is an example of a series or parallel circuit.

1.  _____	2.  _____
3.  _____	4.  _____
5.  _____	6.  _____

# Draw Series And Parallel Circuits Kids

**Cary I. Sneider**



## **Draw Series And Parallel Circuits Kids:**

**The Go-To Guide for Engineering Curricula, Grades 6-8** Cary I. Sneider, 2014-11-25 How to engineer change in your middle school science classroom With the implementation of the Next Generation Science Standards your students won't just be scientists they'll be engineers But that doesn't mean you need to reinvent the wheel Respected science educator Cary Sneider has done the groundwork for you collecting a full range of time tested curriculum materials to seamlessly weave engineering and technology concepts into your math and science lessons In this volume you'll find descriptions of instructional materials specifically created for and tested in middle school science classrooms Features include A handy table that takes you straight to the chapters most relevant to your needs In depth commentaries and illustrative examples that demystify engineering curricula at the middle school level A vivid picture of what each curriculum looks like in the classroom the learning goals it accomplishes and how it helps address the NGSS More information on the integration of engineering and technology into 21st century science classrooms and why it will make a difference One of the most well respected science educators in the country Cary Sneider was an NGSS Writing Team Leader and is an associate research professor at Portland State University This publication uses hands on explorations that impact students by getting them to think like an engineer It's also great for exploring the engineering world through experiences using science and engineering and for the actual doing of science and engineering using the design process Kendall Starkweather Executive Director International Technology Education Association This book will help you engage your students in grade level engineering activities All you need to do is pick it up and get ready to implement it in your classroom Jo Ann Vasquez Vice President Educational Practice for Helios Education Foundation *Hands-On Science and Technology for Ontario, Grade 6* Jennifer E. Lawson, 2020-09-07 Experienced educators share their best classroom tested ideas in this teacher friendly activity based resource The grade 6 book is divided into four units Biodiversity Flight Electricity and Electrical Devices Space STAND OUT COMPONENTS custom written for the Ontario curriculum uses an inquiry based scientific and technological approach builds understanding of Indigenous knowledge and perspectives TIME SAVING COST EFFECTIVE FEATURES includes resources for both teachers and students a four part instructional process activate action consolidate and debrief enhance an emphasis on technology sustainability and personalized learning a fully developed assessment plan for assessment for as and of learning a focus on real life technological problem solving learning centres that focus on multiple intelligences and universal design for learning UDL land based learning activities and Makerspace centres access to digital image banks and digital reproducibles Find download instructions in the Appendix of the book **Creative, Hands-on Science Experiences Using Free and Inexpensive Materials** Jerry DeBruin, 1986 Focusing on the use of common everyday materials that can be obtained for free or purchased inexpensively this document was developed to provide classroom teachers youth leaders camp counselors and parents with ideas and activities in science A major emphasis is placed on starter activities which are designed to encourage

children to ask why or what would happen if type questions about science events Chapter one includes a suggested scope and sequence for a K 6 elementary science program noting activities in the book that fit into the proposed curriculum Chapter two identifies four major functions of teaching including planning implementation evaluation and communication Science safety hints and charts for the teacher and student are contained in chapter three Examples that are designed to show how to make your own science materials are provided in chapter four Chapters five six and seven describe over 100 hands on science activities in biological physical and earth and space sciences respectively Chapters eight and nine contain hundreds of starter activities that are reproducible for enrichment purposes Chapter ten includes information on science organizations science periodicals science catalogs science curriculum projects textbook series evaluation criteria sample log sheets and reference materials TW

### **Principles of Series and Parallel Electrical Circuits | Electric Generation**

**Grade 5 | Children's Electricity Books** Baby Professor,2021-11-01 In this book you will learn about the two basic types of electrical circuits Read about the principles of series and parallel electrical circuits Learn about how each is built too Further realize how you can check for faults in both series and parallel electrical circuits If you re interested to know more then get a copy and start reading *Electricity and Magnetism* William C. Robertson,2005 Electricity and Magnetism is the fifth title in the award winning NSTA Press Stop Faking It Series As author Bill Robertson writes The book you have in your hands is not a textbook It is however designed to help you get science at a level you never thought possible and also to bring you to the point where tackling more traditional science resources won t be a terrifying lump in your throat I don t think I ll survive experience *Onetime Visitor* Jack Bolger,2008-09-03 The author recommends packing away your Bible Quran Vedas Torah and Adi Granth and trying a six month experiment He has entwined a life memoir worthy of consideration as it applies to your life and future This is a truly historical story surrounding our thirty fifth president Your outlook in life could change for the better after reading this bookyears of street wisdom in a life story containing laughter pain and memories that will stay with you for the rest of your life If you know a troubled youth bestow this insight upon that person If you are depressed read this book before you waste another day Gift a service member or veteran this thank you The storyteller has solved the big picture puzzle This book is an inspired solution for troubled times *Ski* ,1975-02 *Learn to build basic circuits and draw circuit diagrams* Anna Xu,2020-06-05 Learn to build working electric circuits and draw circuit diagrams In this guide you ll learn the applied and theoretical aspects of basic circuitry Readers will learn to use wires the light bulb direct current motors and light emitting diodes as well as draw their schematic diagrams Using Snap Circuits kids can learn to turn a light bulb on and off use a direct current motor to launch a flying saucer and use an integrated circuit to play the Happy Birthday song Ages 8 Cambridge Learner's Dictionary English-Polish with CD-ROM Cambridge University Press,2011-05-19 This is a semibilingual Polish version of the Cambridge Learner s Dictionary with definitions in English and Polish translations of the headword for each sense Thoughtful Teachers, Thoughtful Schools Editorial Projects in Education (Firm),1996 **The**

**Big Book of Makerspace Projects: Inspiring Makers to Experiment, Create, and Learn** Colleen Graves, Aaron Graves, 2016-11-11 Start to finish fun projects for makers of all types ages and skill levels This easy to follow guide features dozens of DIY low cost projects that will arm you with the skills necessary to dream up and build your own creations The Big Book of Makerspace Projects Inspiring Makers to Experiment Create and Learn offers practical tips for beginners and open ended challenges for advanced makers Each project features non technical step by step instructions with photos and illustrations to ensure success and expand your imagination You will learn recyclables hacks smartphone tweaks paper circuits e textiles musical instruments coding and programming 3 D printing and much much more Discover how to create Brushbot warriors scribble machines and balloon hovercrafts Smartphone illusions holograms and projections Paper circuits origami greeting cards and pop ups Dodgeball mazes and other interesting Scratch games Organs guitars and percussion instruments Sewed LED bracelets art cuffs and Arduino stuffie Makey Makey and littleBits gadgets Programs for plug and play and Bluetooth enabled robots 3D design and printing projects and enhancements **AV Guide** ,1998 Physics in Perspective Eugene Hecht,1980 *The Science Teacher* ,1978 Some issues are accompanied by a CD ROM on a selected topic **The Electrician** ,1916 **El-Hi Textbooks and Serials in Print, 1996** R R Bowker Publishing,Bowker,1996-02 *High-Tech Heretic* Clifford Stoll,2000-09-12 The cry for and against computers in the classroom is a topic of concern to parents educators and communities everywhere Now from a Silicon Valley hero and bestselling technology writer comes a pointed critique of the hype surrounding computers and their real benefits especially in education In High Tech Heretic Clifford Stoll questions the relentless drumbeat for computer literacy by educators and the computer industry particularly since most people just use computers for word processing and games and computers become outmoded or obsolete much sooner than new textbooks or a good teacher As one who loves computers as much as he disdains the inflated promises made on their behalf Stoll offers a commonsense look at how we can make a technological world better suited for people instead of making people better suited to using machines Electrical Experimenter ,1922 **Scientific American** ,1899 **Instructor** ,1987-08

## Reviewing **Draw Series And Parallel Circuits Kids**: Unlocking the Spellbinding Force of Linguistics

In a fast-paced world fueled by information and interconnectivity, the spellbinding force of linguistics has acquired newfound prominence. Its capacity to evoke emotions, stimulate contemplation, and stimulate metamorphosis is actually astonishing. Within the pages of "**Draw Series And Parallel Circuits Kids**," an enthralling opus penned by a very acclaimed wordsmith, readers embark on an immersive expedition to unravel the intricate significance of language and its indelible imprint on our lives. Throughout this assessment, we shall delve in to the book is central motifs, appraise its distinctive narrative style, and gauge its overarching influence on the minds of its readers.

[https://py.bijouxmedusa.com/public/uploaded-files/Download\\_PDFS/Mba%20Hrm%20Employee%20Absenteeism%20Project%20Report%20.pdf](https://py.bijouxmedusa.com/public/uploaded-files/Download_PDFS/Mba%20Hrm%20Employee%20Absenteeism%20Project%20Report%20.pdf)

### **Table of Contents Draw Series And Parallel Circuits Kids**

1. Understanding the eBook Draw Series And Parallel Circuits Kids
  - The Rise of Digital Reading Draw Series And Parallel Circuits Kids
  - Advantages of eBooks Over Traditional Books
2. Identifying Draw Series And Parallel Circuits Kids
  - Exploring Different Genres
  - Considering Fiction vs. Non-Fiction
  - Determining Your Reading Goals
3. Choosing the Right eBook Platform
  - Popular eBook Platforms
  - Features to Look for in an Draw Series And Parallel Circuits Kids
  - User-Friendly Interface
4. Exploring eBook Recommendations from Draw Series And Parallel Circuits Kids
  - Personalized Recommendations
  - Draw Series And Parallel Circuits Kids User Reviews and Ratings

- Draw Series And Parallel Circuits Kids and Bestseller Lists
- 5. Accessing Draw Series And Parallel Circuits Kids Free and Paid eBooks
  - Draw Series And Parallel Circuits Kids Public Domain eBooks
  - Draw Series And Parallel Circuits Kids eBook Subscription Services
  - Draw Series And Parallel Circuits Kids Budget-Friendly Options
- 6. Navigating Draw Series And Parallel Circuits Kids eBook Formats
  - ePub, PDF, MOBI, and More
  - Draw Series And Parallel Circuits Kids Compatibility with Devices
  - Draw Series And Parallel Circuits Kids Enhanced eBook Features
- 7. Enhancing Your Reading Experience
  - Adjustable Fonts and Text Sizes of Draw Series And Parallel Circuits Kids
  - Highlighting and Note-Taking Draw Series And Parallel Circuits Kids
  - Interactive Elements Draw Series And Parallel Circuits Kids
- 8. Staying Engaged with Draw Series And Parallel Circuits Kids
  - Joining Online Reading Communities
  - Participating in Virtual Book Clubs
  - Following Authors and Publishers Draw Series And Parallel Circuits Kids
- 9. Balancing eBooks and Physical Books Draw Series And Parallel Circuits Kids
  - Benefits of a Digital Library
  - Creating a Diverse Reading Collection Draw Series And Parallel Circuits Kids
- 10. Overcoming Reading Challenges
  - Dealing with Digital Eye Strain
  - Minimizing Distractions
  - Managing Screen Time
- 11. Cultivating a Reading Routine Draw Series And Parallel Circuits Kids
  - Setting Reading Goals Draw Series And Parallel Circuits Kids
  - Carving Out Dedicated Reading Time
- 12. Sourcing Reliable Information of Draw Series And Parallel Circuits Kids
  - Fact-Checking eBook Content of Draw Series And Parallel Circuits Kids
  - Distinguishing Credible Sources

13. Promoting Lifelong Learning
  - Utilizing eBooks for Skill Development
  - Exploring Educational eBooks
14. Embracing eBook Trends
  - Integration of Multimedia Elements
  - Interactive and Gamified eBooks

### **Draw Series And Parallel Circuits Kids Introduction**

Draw Series And Parallel Circuits Kids Offers over 60,000 free eBooks, including many classics that are in the public domain. Open Library: Provides access to over 1 million free eBooks, including classic literature and contemporary works. Draw Series And Parallel Circuits Kids Offers a vast collection of books, some of which are available for free as PDF downloads, particularly older books in the public domain. Draw Series And Parallel Circuits Kids : This website hosts a vast collection of scientific articles, books, and textbooks. While it operates in a legal gray area due to copyright issues, its a popular resource for finding various publications. Internet Archive for Draw Series And Parallel Circuits Kids : Has an extensive collection of digital content, including books, articles, videos, and more. It has a massive library of free downloadable books. Free-eBooks Draw Series And Parallel Circuits Kids Offers a diverse range of free eBooks across various genres. Draw Series And Parallel Circuits Kids Focuses mainly on educational books, textbooks, and business books. It offers free PDF downloads for educational purposes. Draw Series And Parallel Circuits Kids Provides a large selection of free eBooks in different genres, which are available for download in various formats, including PDF. Finding specific Draw Series And Parallel Circuits Kids, especially related to Draw Series And Parallel Circuits Kids, might be challenging as theyre often artistic creations rather than practical blueprints. However, you can explore the following steps to search for or create your own Online Searches: Look for websites, forums, or blogs dedicated to Draw Series And Parallel Circuits Kids, Sometimes enthusiasts share their designs or concepts in PDF format. Books and Magazines Some Draw Series And Parallel Circuits Kids books or magazines might include. Look for these in online stores or libraries. Remember that while Draw Series And Parallel Circuits Kids, sharing copyrighted material without permission is not legal. Always ensure youre either creating your own or obtaining them from legitimate sources that allow sharing and downloading. Library Check if your local library offers eBook lending services. Many libraries have digital catalogs where you can borrow Draw Series And Parallel Circuits Kids eBooks for free, including popular titles. Online Retailers: Websites like Amazon, Google Books, or Apple Books often sell eBooks. Sometimes, authors or publishers offer promotions or free periods for certain books. Authors Website Occasionally, authors provide excerpts or short stories for free on their websites. While this might not be the Draw Series And Parallel Circuits Kids full

book , it can give you a taste of the authors writing style.Subscription Services Platforms like Kindle Unlimited or Scribd offer subscription-based access to a wide range of Draw Series And Parallel Circuits Kids eBooks, including some popular titles.

### FAQs About Draw Series And Parallel Circuits Kids Books

1. Where can I buy Draw Series And Parallel Circuits Kids books? Bookstores: Physical bookstores like Barnes & Noble, Waterstones, and independent local stores. Online Retailers: Amazon, Book Depository, and various online bookstores offer a wide range of books in physical and digital formats.
2. What are the different book formats available? Hardcover: Sturdy and durable, usually more expensive. Paperback: Cheaper, lighter, and more portable than hardcovers. E-books: Digital books available for e-readers like Kindle or software like Apple Books, Kindle, and Google Play Books.
3. How do I choose a Draw Series And Parallel Circuits Kids book to read? Genres: Consider the genre you enjoy (fiction, non-fiction, mystery, sci-fi, etc.). Recommendations: Ask friends, join book clubs, or explore online reviews and recommendations. Author: If you like a particular author, you might enjoy more of their work.
4. How do I take care of Draw Series And Parallel Circuits Kids books? Storage: Keep them away from direct sunlight and in a dry environment. Handling: Avoid folding pages, use bookmarks, and handle them with clean hands. Cleaning: Gently dust the covers and pages occasionally.
5. Can I borrow books without buying them? Public Libraries: Local libraries offer a wide range of books for borrowing. Book Swaps: Community book exchanges or online platforms where people exchange books.
6. How can I track my reading progress or manage my book collection? Book Tracking Apps: Goodreads, LibraryThing, and Book Catalogue are popular apps for tracking your reading progress and managing book collections. Spreadsheets: You can create your own spreadsheet to track books read, ratings, and other details.
7. What are Draw Series And Parallel Circuits Kids audiobooks, and where can I find them? Audiobooks: Audio recordings of books, perfect for listening while commuting or multitasking. Platforms: Audible, LibriVox, and Google Play Books offer a wide selection of audiobooks.
8. How do I support authors or the book industry? Buy Books: Purchase books from authors or independent bookstores. Reviews: Leave reviews on platforms like Goodreads or Amazon. Promotion: Share your favorite books on social media or recommend them to friends.
9. Are there book clubs or reading communities I can join? Local Clubs: Check for local book clubs in libraries or

community centers. Online Communities: Platforms like Goodreads have virtual book clubs and discussion groups.

10. Can I read Draw Series And Parallel Circuits Kids books for free? Public Domain Books: Many classic books are available for free as they're in the public domain. Free E-books: Some websites offer free e-books legally, like Project Gutenberg or Open Library.

### **Find Draw Series And Parallel Circuits Kids :**

~~mba hrm employee absenteeism project report~~  
manual vw polo 6n2

*maritime logistics a to contemporary shipping and port management*

*mcgraw hill education complete medical spanish practical medical spanish for quick and confident communication*

**master angka jitu forum prediksi angka jitu togel sgp**

**massey ferguson service mf 8400 series mf 8450 mf 8460 mf 8470 mf 8480 manual complete tractor workshop**

**manual shop repair book**

**mark rosentgarten answers solutions**

manufacturing processes for engineering materials solution manual pdf

*mazda 2 owners manual*

**maths grade 9 final exam question paper**

~~marketing 10th edition kerin hartley rudelius~~

~~mcdonald publishing co basic chemistry answer key~~

~~mechanical engineering handbook by sadhu singh pdf~~

**mazak t2**

**matlab code for firefly algorithm**

### **Draw Series And Parallel Circuits Kids :**

Oracle 11g Sql Chapter Solutions Joan Casteel (2022) Access Oracle. Page 11. Oracle 11g Sql Chapter Solutions Joan Casteel. 11. 11. 11G: SQL 2nd. Edition. Chapter 1 solutions now. Our solutions are written by. oracle 11g sql chapter solutions joan casteel Right here, we have countless books oracle 11g sql chapter solutions joan casteel and collections to check out. We additionally manage to pay for variant ... 2023-09-11 1/2 oracle 11g sql chapter solutions joan casteel Sep 11, 2023 — Thank you for reading oracle 11g sql chapter solutions joan casteel. As you may know, people have look hundreds

times for their chosen books ... Oracle 11g: Sql 2nd Edition - Chapter 5 Solutions Access Oracle 11G: SQL 2nd Edition Chapter 5 solutions now. Our solutions are written by ... ISBN-13:9781439041284ISBN:1439041288Authors:Joan Casteel Rent | Buy. Chapter 9 Solutions | Oracle 11g: Sql 2nd Edition Access Oracle 11G: SQL 2nd Edition Chapter 9 solutions now. Our solutions are written by ... ISBN-13:9781439041284ISBN:1439041288Authors:Joan Casteel Rent | Buy. Oracle 11G SQL 2nd Edition Casteel Solutions Manual Full ... Oracle 11g: SQL2-2 Chapter Overview The purpose of this chapter is to learn the basic SELECT statement used to retrieve data from a database table. The students ... Oracle 11G: SQL: 9781439041284: Casteel, Joan: Books ORACLE 11G: SQL is not simply a study guide; it is written for individuals who have just a basic knowledge of databases and can be utilized in a course on ... Oracle 11G PL SQL Programming 2nd Edition Casteel ... Apr 5, 2019 — Chapter Overview This chapter introduces basic PL/SQL block structure and logical processing. An initial discussion of programming logic and ... HANDS-ON-CHAPTER-5 ANSWER KEY (ORACLE 11g ... HANDS-ON-CHAPTER-5 ANSWER KEY (ORACLE 11g JOAN CASTEEL) - Read online for free. PL/SQL Chapters 1-5 (Owner: Joan Casteel - Oracle 11g Study with Quizlet and memorize flashcards containing terms like 1. Which of the following variable declarations is illegal? a. v\_junk NUMBER(3); ... Service Manual for CBR500R - Honda Rebel 3 Forum Nov 24, 2017 — Hi, I have recently found a service manual for CBR500R. As far as I know our Rebel 500 has the same / similar engine. CBR500 Service Manual FREE download Mar 16, 2017 — Hi, I bought and downloaded a PDF version of the Honda 2013-2016 CBR500 Service Manual and offer it for free download: HONDA CBR500R MANUAL Pdf Download Motorcycle Honda CBR600F4i Series Service Manual. (492 pages). Summary of Contents for Honda CBR500R. Page 1 ... 2022-2023 CB500FA/XA CBR500RA Service Manual Honda Genuine Service Manuals lead the industry with clear, comprehensive presentation of motorcycle service and repair procedures. Each Service Manual is ... 2020 CBR500R/RA Owner's Manual Honda Service Manual to help you perform many maintenance and repair ... 2020 CBR500R/RA Owner's Manual. Authorized Manuals. USA The Service Manual used by your. User manual Honda CBR500R (2022) (English - 145 pages) Manual. View the manual for the Honda CBR500R (2022) here, for free. This manual comes under the category motorcycles and has been rated by 1 people with an ... Honda CBR500R Online Motorcycle Service Manual Service your Honda CBR250R motorcycle with a Cyclepedia service manual. Get color photographs, wiring diagrams, specifications and step-by-step procedures. User manual Honda CBR500R (2016) (English - 137 pages) Manual. View the manual for the Honda CBR500R (2016) here, for free. This manual comes under the category motorcycles and has been rated by 4 people with an ... Honda CBR500R Service Manual eBook : Cyclepedia ... The Cyclepedia.com Honda CBR500R online service manual features detailed full-color photographs, complete specifications with step-by-step procedures ... 2016 CBR500R Owners Manual : r/cbr Hi guys, I'm wondering if anyone has a link to the 2016 CBR500R owners manual pdf or knows where I can get a physical copy. Appreciate the help! Microsoft Dynamics CRM Unleashed 2013: Wolenik, Marc Microsoft® Dynamics CRM 2013 Unleashed presents start-to-finish guidance for planning,

customizing, deploying, integrating, managing, and securing both ... Microsoft - Dynamics CRM 2013 : Unleashed: Wolenik Book details · Language. English · Publisher. Pearson India · Publication date. January 1, 2014 · Dimensions. 7.87 x 5.51 x 1.57 inches · ISBN-10. 9332539413. Microsoft Dynamics CRM 2013 Unleashed - Marc Wolenik Microsoft® Dynamics CRM 2013 Unleashed presents start-to-finish guidance for planning, customizing, deploying, integrating, managing, and securing both ... Microsoft Dynamics CRM 2013 Unleashed [Book] Microsoft® Dynamics CRM 2013 Unleashed presents start-to-finish guidance for planning, customizing, deploying, integrating, managing, and securing both cloud ... Microsoft Dynamics CRM 2013 Unleashed Microsoft® Dynamics CRM 2013 Unleashed presents start-to-finish guidance for planning, customizing, deploying, integrating, managing, and. Microsoft Dynamics CRM Unleashed 2013 - Wolenik, Marc Microsoft® Dynamics CRM 2013 Unleashed presents start-to-finish guidance for planning, customizing, deploying, integrating, managing, and securing both ... Microsoft Dynamics CRM 2013 Unleashed book by Marc J. ... Microsoft? Dynamics CRM 2013 Unleashed presents start-to-finish guidance for planning, customizing, deploying, integrating, managing, and securing both ... Microsoft Dynamics CRM 2013 Unleashed: | Guide books May 9, 2014 — Microsoft Dynamics CRM 2013 Unleashed presents start-to-finish guidance for planning, customizing, deploying, integrating, managing, ... Microsoft Dynamics CRM 2013 Unleashed Apr 29, 2014 — Microsoft® Dynamics CRM 2013 Unleashed presents start-to-finish guidance for planning, customizing, deploying, integrating, managing, and ... Microsoft Dynamics CRM 2013 Unleashed - What You ... Oct 7, 2013 — Microsoft Dynamics CRM 2013 is no doubt a major release from Microsoft. It introduces many new features and experiences that we feel will ...