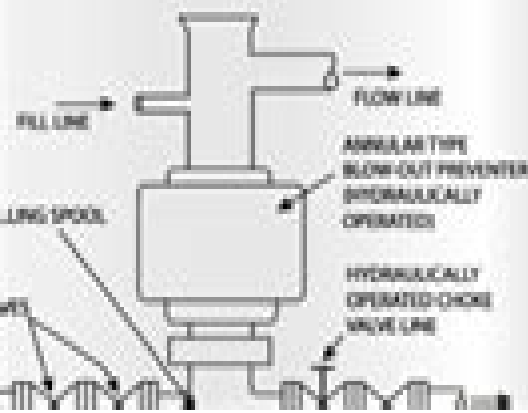


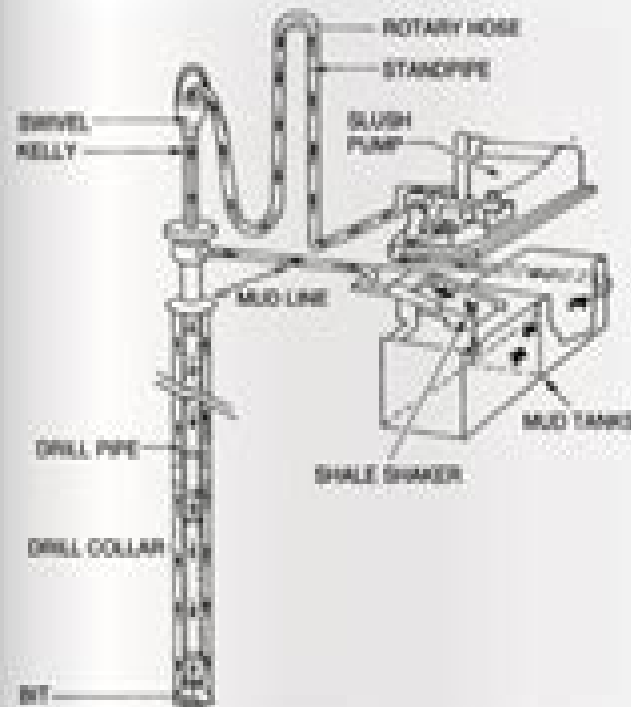
CLASSIFICATION OF HORIZONTAL WELLS.

Radius type	Buildup rate	Radius
Short radius	60-200° per 100 ft	100-200 ft
Intermediate radius	60-150° per 100 ft	250-350 ft
Long radius	8-30° per 100 ft	500-1000 ft
Very long radius	2-8° per 100 ft	1000-3000 ft

TYPICAL BLOW-OUT PREVENTER STACK



DIRECT CIRCULATION MUD SYSTEM



"CHRISTMAS TREE."



5 1/2	24	5.012	0.0244	0.0051
5 1/2	15.5	4.95	0.0238	0.0056
5 1/2	17	4.892	0.0233	0.0062
		4.78	0.0222	0.0073
		4.67	0.0212	0.0084
		6.049	0.0355	0.0071
		5.921	0.0341	0.0087
		5.791	0.0326	0.0102
		6.456	0.0405	0.0073
		6.366	0.0394	0.0084
		6.276	0.0383	0.0095
		6.184	0.0372	0.0106
		6.094	0.0361	0.0118
		6.004	0.035	0.0127
		6.969	0.0472	0.0096
		6.875	0.0459	0.0108
		6.785	0.0446	0.0123
		6.624	0.0426	0.0142
		6.098	0.0637	0.0086
		7.921	0.061	0.0116
		7.825	0.0595	0.0131
		7.725	0.058	0.0146
		8.921	0.0773	0.0131
		8.825	0.0758	0.0146
		8.725	0.0745	0.0158
		8.661	0.0732	0.0171
		8.535	0.0708	0.0195

Drilling Calculations Handbook

Padhraic Smyth



Drilling Calculations Handbook:

Drilling Calculations Handbook Book Review: Unveiling the Power of Words

In a world driven by information and connectivity, the ability of words has become more evident than ever. They have the ability to inspire, provoke, and ignite change. Such may be the essence of the book **Drilling Calculations Handbook**, a literary masterpiece that delves deep into the significance of words and their affect our lives. Written by a renowned author, this captivating work takes readers on a transformative journey, unraveling the secrets and potential behind every word. In this review, we shall explore the book is key themes, examine its writing style, and analyze its overall effect on readers.

<https://py.bijouxmedusa.com/files/browse/index.jsp/Acs%20Analytical%20Chemistry%20Exam%20Study%20Guide.pdf>

Table of Contents Drilling Calculations Handbook

1. Understanding the eBook Drilling Calculations Handbook
 - The Rise of Digital Reading Drilling Calculations Handbook
 - Advantages of eBooks Over Traditional Books
2. Identifying Drilling Calculations Handbook
 - Exploring Different Genres
 - Considering Fiction vs. Non-Fiction
 - Determining Your Reading Goals
3. Choosing the Right eBook Platform
 - Popular eBook Platforms
 - Features to Look for in an Drilling Calculations Handbook
 - User-Friendly Interface
4. Exploring eBook Recommendations from Drilling Calculations Handbook
 - Personalized Recommendations
 - Drilling Calculations Handbook User Reviews and Ratings
 - Drilling Calculations Handbook and Bestseller Lists
5. Accessing Drilling Calculations Handbook Free and Paid eBooks

- Drilling Calculations Handbook Public Domain eBooks
 - Drilling Calculations Handbook eBook Subscription Services
 - Drilling Calculations Handbook Budget-Friendly Options
6. Navigating Drilling Calculations Handbook eBook Formats
 - ePub, PDF, MOBI, and More
 - Drilling Calculations Handbook Compatibility with Devices
 - Drilling Calculations Handbook Enhanced eBook Features
 7. Enhancing Your Reading Experience
 - Adjustable Fonts and Text Sizes of Drilling Calculations Handbook
 - Highlighting and Note-Taking Drilling Calculations Handbook
 - Interactive Elements Drilling Calculations Handbook
 8. Staying Engaged with Drilling Calculations Handbook
 - Joining Online Reading Communities
 - Participating in Virtual Book Clubs
 - Following Authors and Publishers Drilling Calculations Handbook
 9. Balancing eBooks and Physical Books Drilling Calculations Handbook
 - Benefits of a Digital Library
 - Creating a Diverse Reading Collection Drilling Calculations Handbook
 10. Overcoming Reading Challenges
 - Dealing with Digital Eye Strain
 - Minimizing Distractions
 - Managing Screen Time
 11. Cultivating a Reading Routine Drilling Calculations Handbook
 - Setting Reading Goals Drilling Calculations Handbook
 - Carving Out Dedicated Reading Time
 12. Sourcing Reliable Information of Drilling Calculations Handbook
 - Fact-Checking eBook Content of Drilling Calculations Handbook
 - Distinguishing Credible Sources
 13. Promoting Lifelong Learning
 - Utilizing eBooks for Skill Development

- Exploring Educational eBooks
14. Embracing eBook Trends
- Integration of Multimedia Elements
 - Interactive and Gamified eBooks

Drilling Calculations Handbook Introduction

In this digital age, the convenience of accessing information at our fingertips has become a necessity. Whether its research papers, eBooks, or user manuals, PDF files have become the preferred format for sharing and reading documents. However, the cost associated with purchasing PDF files can sometimes be a barrier for many individuals and organizations. Thankfully, there are numerous websites and platforms that allow users to download free PDF files legally. In this article, we will explore some of the best platforms to download free PDFs. One of the most popular platforms to download free PDF files is Project Gutenberg. This online library offers over 60,000 free eBooks that are in the public domain. From classic literature to historical documents, Project Gutenberg provides a wide range of PDF files that can be downloaded and enjoyed on various devices. The website is user-friendly and allows users to search for specific titles or browse through different categories. Another reliable platform for downloading Drilling Calculations Handbook free PDF files is Open Library. With its vast collection of over 1 million eBooks, Open Library has something for every reader. The website offers a seamless experience by providing options to borrow or download PDF files. Users simply need to create a free account to access this treasure trove of knowledge. Open Library also allows users to contribute by uploading and sharing their own PDF files, making it a collaborative platform for book enthusiasts. For those interested in academic resources, there are websites dedicated to providing free PDFs of research papers and scientific articles. One such website is Academia.edu, which allows researchers and scholars to share their work with a global audience. Users can download PDF files of research papers, theses, and dissertations covering a wide range of subjects. Academia.edu also provides a platform for discussions and networking within the academic community. When it comes to downloading Drilling Calculations Handbook free PDF files of magazines, brochures, and catalogs, Issuu is a popular choice. This digital publishing platform hosts a vast collection of publications from around the world. Users can search for specific titles or explore various categories and genres. Issuu offers a seamless reading experience with its user-friendly interface and allows users to download PDF files for offline reading. Apart from dedicated platforms, search engines also play a crucial role in finding free PDF files. Google, for instance, has an advanced search feature that allows users to filter results by file type. By specifying the file type as "PDF," users can find websites that offer free PDF downloads on a specific topic. While downloading Drilling Calculations Handbook free PDF files is convenient, its important to note that copyright laws must be respected. Always ensure that the PDF files you download are legally

available for free. Many authors and publishers voluntarily provide free PDF versions of their work, but it's essential to be cautious and verify the authenticity of the source before downloading Drilling Calculations Handbook. In conclusion, the internet offers numerous platforms and websites that allow users to download free PDF files legally. Whether it's classic literature, research papers, or magazines, there is something for everyone. The platforms mentioned in this article, such as Project Gutenberg, Open Library, Academia.edu, and Issuu, provide access to a vast collection of PDF files. However, users should always be cautious and verify the legality of the source before downloading Drilling Calculations Handbook any PDF files. With these platforms, the world of PDF downloads is just a click away.

FAQs About Drilling Calculations Handbook Books

How do I know which eBook platform is the best for me? Finding the best eBook platform depends on your reading preferences and device compatibility. Research different platforms, read user reviews, and explore their features before making a choice. Are free eBooks of good quality? Yes, many reputable platforms offer high-quality free eBooks, including classics and public domain works. However, make sure to verify the source to ensure the eBook credibility. Can I read eBooks without an eReader? Absolutely! Most eBook platforms offer webbased readers or mobile apps that allow you to read eBooks on your computer, tablet, or smartphone. How do I avoid digital eye strain while reading eBooks? To prevent digital eye strain, take regular breaks, adjust the font size and background color, and ensure proper lighting while reading eBooks. What the advantage of interactive eBooks? Interactive eBooks incorporate multimedia elements, quizzes, and activities, enhancing the reader engagement and providing a more immersive learning experience. Drilling Calculations Handbook is one of the best book in our library for free trial. We provide copy of Drilling Calculations Handbook in digital format, so the resources that you find are reliable. There are also many Ebooks of related with Drilling Calculations Handbook. Where to download Drilling Calculations Handbook online for free? Are you looking for Drilling Calculations Handbook PDF? This is definitely going to save you time and cash in something you should think about. If you trying to find then search around for online. Without a doubt there are numerous these available and many of them have the freedom. However without doubt you receive whatever you purchase. An alternate way to get ideas is always to check another Drilling Calculations Handbook. This method for see exactly what may be included and adopt these ideas to your book. This site will almost certainly help you save time and effort, money and stress. If you are looking for free books then you really should consider finding to assist you try this. Several of Drilling Calculations Handbook are for sale to free while some are payable. If you arent sure if the books you would like to download works with for usage along with your computer, it is possible to download free trials. The free guides make it easy for someone to free access online library for download books to your device. You can get free download

on free trial for lots of books categories. Our library is the biggest of these that have literally hundreds of thousands of different products categories represented. You will also see that there are specific sites catered to different product types or categories, brands or niches related with Drilling Calculations Handbook. So depending on what exactly you are searching, you will be able to choose e books to suit your own need. Need to access completely for Campbell Biology Seventh Edition book? Access Ebook without any digging. And by having access to our ebook online or by storing it on your computer, you have convenient answers with Drilling Calculations Handbook To get started finding Drilling Calculations Handbook, you are right to find our website which has a comprehensive collection of books online. Our library is the biggest of these that have literally hundreds of thousands of different products represented. You will also see that there are specific sites catered to different categories or niches related with Drilling Calculations Handbook So depending on what exactly you are searching, you will be able to choose ebook to suit your own need. Thank you for reading Drilling Calculations Handbook. Maybe you have knowledge that, people have search numerous times for their favorite readings like this Drilling Calculations Handbook, but end up in harmful downloads. Rather than reading a good book with a cup of coffee in the afternoon, instead they juggled with some harmful bugs inside their laptop. Drilling Calculations Handbook is available in our book collection an online access to it is set as public so you can download it instantly. Our digital library spans in multiple locations, allowing you to get the most less latency time to download any of our books like this one. Merely said, Drilling Calculations Handbook is universally compatible with any devices to read.

Find Drilling Calculations Handbook :

acs analytical chemistry exam study guide

acca f7 bpp course exam 2 answers bing pdfsdirnn

abbas immunology

acupuncture soap notes pdfslibforyou

accounting 25th edition warren reeve duchac answers

[adulterio descarga gratis paulo cohelo pdf webxmedia](#)

advanced engineering electromagnetics 2nd edition

~~abc del ingles metodo basico p aprender s maestro abcs of english~~

acrostic poem example on agriculture

abrsn grade 8 theory past papers answer

~~accountability modules accounts payable precious heart~~

accounting tools for business decision making 4th edition

academic collocation list pearson test of english

acca f2 study text 2014 canicu

accounting grade 11 study

Drilling Calculations Handbook :

7 best colorado fly fishing tour guides anglers crate top - Sep 04 2022

web who can enroll in the colorado angler fly fishing guide school guide school is for everyone from novice weekend warriors to future guides this program is designed to

fly fishing the colorado river an angler s guide worldcat org - Aug 03 2022

web the blue quill angler colorado fly fishing guide service operates out of our fly shop in evergreen colorado 25 minutes west of denver fly fishing guide to the south

colorado guided fly fishing trips 5280 angler - Nov 25 2021

colorado river guided fly fishing trips mile high angler - Dec 07 2022

web colorado fly angler is a fly fishing guide and online fly shop serving the ouray ridgway telluride montrose co areas walk wade trips on the gunnison san miguel

colorado river fly fishing guides colorado angling company - Jul 02 2022

web jul 20 2023 heaven among anglers the high desert valley of alamosa colorado is home to more than 1 400 rivers streams reservoirs and lakes including the beloved

an angler s guide to the best fishing near alamosa colorado com - Dec 27 2021

where to fly fish on the colorado river co maps - Feb 09 2023

web get this from a library fly fishing the colorado river an angler s guide al marlowe

home colorado fly angler wix developed - Jun 01 2022

web searching for the finest colorado fly fishing 5280 angler guides are veterans of the south platte river book a fly fishing trip with us today

diy guide to fly fishing the colorado river - Mar 10 2023

web colorado is home to several types of trout from cutthroat to rainbow trout the state seems to have it all and if fly fishing is your thing then colorado is definitely one of the best

fly fishing the colorado river an angler s guide the - May 12 2023

web fly fishing the colorado river is an adventure every angler should experience it s unique and robust characteristics make it one of the best fisheries in the world as a

[fly fishing the colorado river an angler s guide 2nd](#) - Jan 08 2023

web if you are an experienced fly angler the colorado river has plenty of fish for you to try and fool with nymphs streamers and dry fly patterns visit our fly fishing photo gallery and

fly fishing the colorado river an angler s guide goodreads - Jun 13 2023

web jun 1 2003 fly fishing the colorado river an angler s guide the pruetts series paperback june 1 2003 by al marlowe author 5 0 5 0 out of 5 stars 2 ratings

[colorado fly fishing guide trips mile high angler](#) - Mar 30 2022

web mar 29 2023 here are some of the best fly fishing destinations in colorado 1 animas river located in durango it is known for its brown and rainbow trout the animas

fly fishing colorado an angler s guide into fly fishing - Apr 11 2023

web fly fishing on the colorado river is the quintessential rocky mountain freestone experience fly fishing colorado professional fly fishing guides 720 450 7291

the river colorado fly angler - Nov 06 2022

web sep 4 2023 in colorado the river offers tremendous fishing especially in park county where the famed dream stream gives anglers daily chances for a fish of a lifetime the

[colorado river fly fishing 5280 angler](#) - Oct 05 2022

web mile high angler offers colorado guided fly fishing trophy trout trips on the south platte river blue river colorado river williams fork river and the meadows

8 best fly fishing rivers in colorado jones guides - Sep 23 2021

[guide school the colorado angler](#) - Feb 26 2022

guided fly fishing trips the blue quill angler - Jan 28 2022

fly fishing the colorado river an angler s guide the pruetts - Oct 25 2021

fly fishing the colorado river an angler s guide the - Aug 15 2023

web a must have for every angler who wants to fish the colorado river this is the first and only guide dedicated to the mighty

colorado and many of its tributaries from its

fly fishing the colorado river an angler s guide google books - Jul 14 2023

web dec 1 1996 fly fishing the colorado river an angler s guide al marlowe karen r christopherson 3 00 3 ratings0 reviews a must have for every angler who wants to fish

the 15 best fly fishing rivers in colorado expert guide - Apr 30 2022

web fly fishing the colorado river an angler s guide the pruetts series karen r christopherson ethics is an end to end process it starts with policymaking then

weißbuch allergie in deutschland amazon nl - Dec 01 2021

wichtige neuerscheinung springerlink - Jan 02 2022

web nov 24 2021 weißbuch allergie in deutschland pdf free download by authors ludger klimek christian vogelberg thomas werfel

endlich da das neue weißbuch allergie in deutschland - May 18 2023

web seit dem jahr 2000 stellt das weißbuch allergie in deutschland die versorgungssituation von allergikern in deutschland detailliert anhand der einzelnen

grundlagen und epidemiologie springerlink - Oct 11 2022

web in klimek l vogelberg c werfel t eds weißbuch allergie in deutschland springer berlin heidelberg doi org 10 1007 978 3 89935 313 6 4 download citation

weißbuch allergie in deutschland hautsache de - Feb 15 2023

web weißbuch allergie in deutschland 4th edition is written by ludger klimek and published by springer the digital and etextbook isbn for weißbuch allergie in deutschland are

weißbuch allergie in deutschland request pdf researchgate - Jan 14 2023

web weißbuch allergie in deutschland chapter Grundlagen und epidemiologie ludger klimek christian vogelberg thomas werfel chapter 1921 accesses zusammenfassung

9783899351828 weissbuch allergie in deutschland abebooks - Mar 04 2022

web weißbuch allergie in deutschland klimek ludger vogelberg christian werfel thomas amazon nl books

weißbuch allergie 2018 aktuelle bestandsaufnahme - Apr 17 2023

web jan 1 2019 request pdf weißbuch allergie in deutschland rund 30 millionen menschen leiden in deutschland an allergischen erkrankungen tendenz steigend

weißbuch allergie in deutschland german edition 4th edition - Aug 09 2022

web weißbuch allergie in deutschland german edition 9783899352450 medicine health science books amazon com
versorgung allergiekranker menschen springerlink - Jul 08 2022

web nur ein zehntel der allergiekranken in deutschland wird zurzeit adäquat versorgt mit dem weißbuch wollen die herausgebenden fachgesellschaften dazu beitragen die situation

9783899352450 weißbuch allergie in deutschland german - Apr 05 2022

web jul 12 2016 das weißbuch allergie in deutschland 2000 ist soeben erschienen allergo journal 9 456 2000 cite this article 114 accesses metrics download to read the full

weißbuch allergie in deutschland 4th edition vitalsource - Nov 12 2022

web dec 7 2018 weißbuch allergie in deutschland german edition 9783899353129 medicine health science books amazon com

weißbuch allergie in deutschland amazon com tr - Sep 10 2022

web feb 1 2018 request pdf weißbuch allergie neuauflage in arbeit die 2016 von aeda und dgaki gegründete deutsche allergieliga hat zum ziel die versorgung

weißbuch allergie in deutschland paperback amazon co uk - Feb 03 2022

web allergische erkrankungen sind in allen altersklassen weit verbreitet sei es als atopische dermatitis heuschnupfen oder asthma bronchiale im kindesalter oder als

weißbuch allergie in deutschland springerlink - Aug 21 2023

web weißbuch allergie in deutschland für die deutsche allergieliga mit extra kapitel zentrale forderungen klimek ludger vogelberg christian werfel thomas

weißbuch allergie in deutschland für die deutsche allergieliga - Jun 19 2023

web nur ein zehntel der allergiekranken in deutschland wird zurzeit adäquat versorgt mit dem weißbuch wollen die herausgebenden fachgesellschaften dazu beitragen die situation

epidemiologie allergischer erkrankungen springerlink - Oct 31 2021

weißbuch allergie in deutschland german edition - May 06 2022

web buy weißbuch allergie in deutschland by isbn 9783899351828 from amazon s book store everyday low prices and free delivery on eligible orders

weißbuch dgaki - Jul 20 2023

web dec 11 2018 pünktlich zum jahresende liegt das weißbuch allergie in deutschland unter dem weihnachtsbaum die autoren des werks stehen für die drei allergologischen

weißbuch allergie neuauflage in arbeit request pdf - Jun 07 2022

web abebooks com weissbuch allergie in deutschland 9783899351828 and a great selection of similar new used and collectible books available now at great prices

weißbuch allergie in deutschland amazon de - Mar 16 2023

web buy weißbuch allergie in deutschland 4 by klimek ludger vogelberg christian werfel thomas isbn 9783899353129 from amazon s book store everyday low prices and

weißbuch allergie in deutschland dr notes - Sep 29 2021

weißbuch allergie in deutschland paperback 7 dec 2018 - Dec 13 2022

web arama yapmak istediğiniz kategoriye seçin

windows 7 fur spateinsteiger z library - May 09 2023

web download windows 7 fur spateinsteiger book for free from z library request code zlibio504444 categories suggest category year 2022 language german pages 265 isbn 10 3645600124 isbn 13 9783645600125 isbn 3645600124

9783645600125 login to z lib official channel follow

windows 7 fur spateinsteiger cpanel urbnleaf com - Oct 02 2022

web oct 4 2023 windows 7 fur spateinsteiger windows 7 fur spateinsteiger 2 downloaded from cpanel urbnleaf com on 2022 07 16 by guest cruel emperor domitian orders gaius plinius caecilius secundus known to history as pliny the younger to investigate however the ludi romani the roman games have just begun and for the

windows 7 fur spateinsteiger 9783645600125 amazon com - Mar 07 2023

web windows 7 fur spateinsteiger on amazon com free shipping on qualifying offers windows 7 fur spateinsteiger

download pdf windows 7 fur spateinsteiger pdf - Oct 14 2023

web download pdf windows 7 fur spateinsteiger pdf 5h0d0hsv8rs0 contact 1243 schamberger freeway apt 502port orvilleville on h8j 6m9 719 696 2375 x665

upgrade win 7 starter 32 bit to windows 7 starter 64 bit edition - Feb 06 2023

web feb 13 2012 once you have done that simply do a clean install of windows 7 64 bit disk in windows 7 64 bit disk launch windows easy transfer follow the on screen wizard point to where you stored the the wet file external hard disk and it will restore your personal files and settings reinstall any necessary applications

windows 7 fur spateinsteiger graph safehousetech com - Dec 04 2022

web windows 7 fur spateinsteiger downloaded from graph safehousetech com by guest weston kiera cheeky king harvard business press this is a book for people who are struggling to find their way out of a cave of anxiety depression and suicidal

thoughts and for anyone who cares for someone who's been lost in that cave

windows 7 für späteinsteiger pdf 5h0d0hsv8rs0 e book library - Nov 03 2022

web windows 7 für späteinsteiger pdf authors thomas schirmer andreas hein pdf computers

windows 7 für späteinsteiger store kawan equipment - Apr 27 2022

web windows 7 für späteinsteiger 1 windows 7 für späteinsteiger when people should go to the book stores search opening by shop shelf by shelf it is truly problematic this is why we present the book compilations in this website it will extremely ease you to see guide windows 7 für späteinsteiger as you such as

how to upgrade from windows 7 or 8 to windows 10 right now how to geek - Jan 05 2023

web aug 11 2015 the windows 10 update tool is pretty straight forward and you can find the download right here one other thing to note before getting started though the update tool will figure out the right version of windows you need to update to it determines if your current version of windows is 32 bit or 64 bit and

windows 7 für späteinsteiger mail4 bec systems com - Apr 08 2023

web 2 windows 7 für späteinsteiger 2021 07 11 with grant for decades brings to the table whether exploring novels grant read at west point or presenting majestic images culled from archives samet curates a richly annotated highly collectible edition that will fascinate civil war buffs the edition

windows 7 für späteinsteiger by andreas hein - Jun 10 2023

web für späteinsteiger extra grosseschrift und viele merkhilfen neuauflage inkl april 2018 update windows 7 expertentipps berücksichtigt service pack 1 für windows 7 und windows

windows 7 für späteinsteiger by andreas hein - Mar 27 2022

web april 8th 2020 windows 7 für späteinsteiger windows 7 programme perfekt einsetzen daten kopieren verwalten und sichern internet und e mail mit windows 7 sicher nutzen by thomas schirmer andreas hein broschiert 256 pages published 2009 by

windows 7 für späteinsteiger registration joniandfriends org - Sep 01 2022

web windows 7 für späteinsteiger this is likewise one of the factors by obtaining the soft documents of this windows 7 für späteinsteiger by online you might not require more time to spend to go to the books commencement as without difficulty as search for them in some cases you likewise reach not discover the message windows 7 für

[amazon com customer reviews windows 7 für späteinsteiger](#) - Feb 23 2022

web find helpful customer reviews and review ratings for windows 7 für späteinsteiger at amazon com read honest and unbiased product reviews from our users

download windows 7 für späteinsteiger ebooks - Jul 31 2022

web easy you simply klick windows 7 für späteinsteiger research save connect on this post or you does lead to the independent submission make after the free registration you will be able to download the book in 4 format pdf formatted 8 5 x all pages epub reformatted especially for book readers mobi for kindle which was converted from the epub file

[windows 7 fur spateinsteiger](#) - May 29 2022

web 4 windows 7 fur spateinsteiger 2023 06 18 mighty goddess trapped in a human body might be the key but saving his kingdom could mean losing all that he loves the dragons of summer by jeffe kennedy as unofficial consort to the high queen former mercenary harlan konyngrr faces a

windows 7 fur spateinsteiger unifi like satellitedesksworks com - Jun 29 2022

web windows 7 fur spateinsteiger downloaded from unifi like satellitedesksworks com by guest jamari selina the daddy and the dom bloomsbury publishing the idea that the state is a fiduciary to its citizens has a long pedigree ultimately reaching back to the ancient greeks and including hobbes and locke among its proponents public fiduciary

windows 7 fur spateinsteiger pdf download zlibrary cc - Sep 13 2023

web read download pdf windows 7 fur spateinsteiger free update the latest version with high quality try now

[windows 7 für späteinsteiger by andreas hein](#) - Aug 12 2023

web windows 10 fur senioren der lernkurs fur spateinsteiger may 29th 2020 von dem buch windows 10 fur senioren der lernkurs fur spateinsteiger extra groe schrift und viele merkhilfen aktuell inkl april 2018 update haben wir 2 gleiche oder sehr ähnliche ausgaben identifiziert falls sie nur an einem bestimmten exempar interessiert sind können

windows 7 fur spateinsteiger ci kubesail - Jul 11 2023

web 4 windows 7 fur spateinsteiger 2021 02 11 overview of the key issues involved in this burgeoning area while also including cases on how sport itself has been used as a method to improve mental health written for newcomers and established practitioners alike the text is an essential read for researchers and practitioners in better