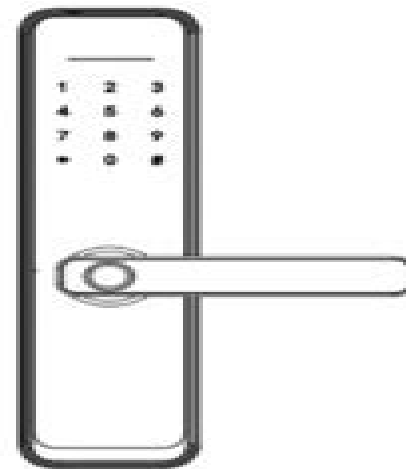


10. Technical Parameters

Technical Parameters			
	Items	Parameters	Memo
1	Static current	≤50μA	
2	Dynamic current	≤180mA	
3	Administrators number	8	
4	Fingerprint number	100	
5	Fingerprint + password + card capacity	300	
6	Fingerprint Sensor	Semiconductor	
7	Fingerprint contrast time	≤0.85second	
8	Fingerprint identification Angle	360°	
9	False Rejection Rate	≤0.1%	
10	False Recognition Rate	≤0.0001%	
11	Reaction time	≤0.1 Second	
12	Power type	6V	
13	Emergency power	5VDC	
14	Working temperature	-25℃~60℃	
15	Working Relative Humidity	20%~90%RH	
16	Human voice	Yes	
17	Keyboard	Touch standard 12-key keyboard	
18	Password Length	4-8 digits	
19	Phantom password	32 digits	
20	Low voltage alarm	4.6±0.2V	
21	Unlock time	≤1 Second	

Instruction of smart lock



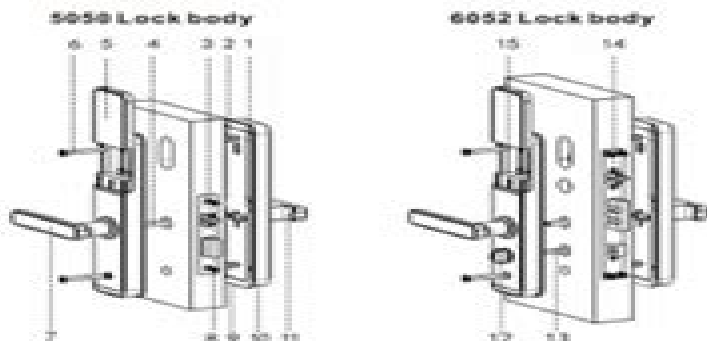
NOTICE:

1. Please read this instruction sheet before used.
2. Please take key with you or put it outside the room.

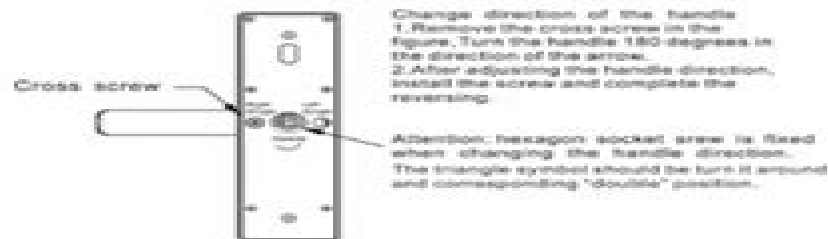
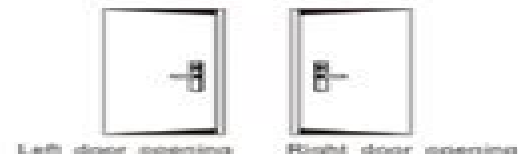
1. Installation

- a. Professional installation recommended
- b. Pay attention to the connecting cable during installation.
- c. Please adjust the handle direction according to the instructions.
- d. It is necessary to keep the door half open during installation
- e. After installation, please check whether fingerprint, password, IC card, key, internal and external handle, and anti lock switch can work normally.
- f. If it can't be used normally check for improper installation.

2. Installation diagram



3. Confirm the direction of the handle



4. Cutout

Refer to the hole drawing and the lock body model.

5. Install the lock body:

- 5.1 Support lock body model: 5050,4585,6085,5572,6072, 6052,ball lock, etc.
- 5.2 Adjust the direction of the diagonal tongue according

E Lock Manual

PT Brinkman



E Lock Manual:

The book delves into E Lock Manual. E Lock Manual is a crucial topic that needs to be grasped by everyone, from students and scholars to the general public. This book will furnish comprehensive and in-depth insights into E Lock Manual, encompassing both the fundamentals and more intricate discussions.

1. The book is structured into several chapters, namely:
 - Chapter 1: Introduction to E Lock Manual
 - Chapter 2: Essential Elements of E Lock Manual
 - Chapter 3: E Lock Manual in Everyday Life
 - Chapter 4: E Lock Manual in Specific Contexts
 - Chapter 5: Conclusion
2. In chapter 1, the author will provide an overview of E Lock Manual. The first chapter will explore what E Lock Manual is, why E Lock Manual is vital, and how to effectively learn about E Lock Manual.
3. In chapter 2, the author will delve into the foundational concepts of E Lock Manual. This chapter will elucidate the essential principles that must be understood to grasp E Lock Manual in its entirety.
4. In chapter 3, the author will examine the practical applications of E Lock Manual in daily life. This chapter will showcase real-world examples of how E Lock Manual can be effectively utilized in everyday scenarios.
5. In chapter 4, this book will scrutinize the relevance of E Lock Manual in specific contexts. This chapter will explore how E Lock Manual is applied in specialized fields, such as education, business, and technology.
6. In chapter 5, this book will draw a conclusion about E Lock Manual. This chapter will summarize the key points that have been discussed throughout the book.

The book is crafted in an easy-to-understand language and is complemented by engaging illustrations. This book is highly recommended for anyone seeking to gain a comprehensive understanding of E Lock Manual.

<https://py.bijouxmedusa.com/About/uploaded-files/index.jsp/Funding%20Checklist%20America%2063%20300%20Startup%20Funding%20Checklist%20USA%2063%20201.pdf>

Table of Contents E Lock Manual

1. Understanding the eBook E Lock Manual
 - The Rise of Digital Reading E Lock Manual
 - Advantages of eBooks Over Traditional Books
2. Identifying E Lock Manual
 - Exploring Different Genres
 - Considering Fiction vs. Non-Fiction
 - Determining Your Reading Goals
3. Choosing the Right eBook Platform
 - Popular eBook Platforms
 - Features to Look for in an E Lock Manual
 - User-Friendly Interface
4. Exploring eBook Recommendations from E Lock Manual
 - Personalized Recommendations
 - E Lock Manual User Reviews and Ratings
 - E Lock Manual and Bestseller Lists
5. Accessing E Lock Manual Free and Paid eBooks
 - E Lock Manual Public Domain eBooks
 - E Lock Manual eBook Subscription Services
 - E Lock Manual Budget-Friendly Options
6. Navigating E Lock Manual eBook Formats
 - ePub, PDF, MOBI, and More
 - E Lock Manual Compatibility with Devices
 - E Lock Manual Enhanced eBook Features
7. Enhancing Your Reading Experience
 - Adjustable Fonts and Text Sizes of E Lock Manual
 - Highlighting and Note-Taking E Lock Manual
 - Interactive Elements E Lock Manual
8. Staying Engaged with E Lock Manual

- Joining Online Reading Communities
 - Participating in Virtual Book Clubs
 - Following Authors and Publishers E Lock Manual
9. Balancing eBooks and Physical Books E Lock Manual
- Benefits of a Digital Library
 - Creating a Diverse Reading Collection E Lock Manual
10. Overcoming Reading Challenges
- Dealing with Digital Eye Strain
 - Minimizing Distractions
 - Managing Screen Time
11. Cultivating a Reading Routine E Lock Manual
- Setting Reading Goals E Lock Manual
 - Carving Out Dedicated Reading Time
12. Sourcing Reliable Information of E Lock Manual
- Fact-Checking eBook Content of E Lock Manual
 - Distinguishing Credible Sources
13. Promoting Lifelong Learning
- Utilizing eBooks for Skill Development
 - Exploring Educational eBooks
14. Embracing eBook Trends
- Integration of Multimedia Elements
 - Interactive and Gamified eBooks

E Lock Manual Introduction

In today's digital age, the availability of E Lock Manual books and manuals for download has revolutionized the way we access information. Gone are the days of physically flipping through pages and carrying heavy textbooks or manuals. With just a few clicks, we can now access a wealth of knowledge from the comfort of our own homes or on the go. This article will explore the advantages of E Lock Manual books and manuals for download, along with some popular platforms that offer these resources. One of the significant advantages of E Lock Manual books and manuals for download is the cost-saving aspect. Traditional books and manuals can be costly, especially if you need to purchase several of them for educational or

professional purposes. By accessing E Lock Manual versions, you eliminate the need to spend money on physical copies. This not only saves you money but also reduces the environmental impact associated with book production and transportation. Furthermore, E Lock Manual books and manuals for download are incredibly convenient. With just a computer or smartphone and an internet connection, you can access a vast library of resources on any subject imaginable. Whether you're a student looking for textbooks, a professional seeking industry-specific manuals, or someone interested in self-improvement, these digital resources provide an efficient and accessible means of acquiring knowledge. Moreover, PDF books and manuals offer a range of benefits compared to other digital formats. PDF files are designed to retain their formatting regardless of the device used to open them. This ensures that the content appears exactly as intended by the author, with no loss of formatting or missing graphics. Additionally, PDF files can be easily annotated, bookmarked, and searched for specific terms, making them highly practical for studying or referencing. When it comes to accessing E Lock Manual books and manuals, several platforms offer an extensive collection of resources. One such platform is Project Gutenberg, a nonprofit organization that provides over 60,000 free eBooks. These books are primarily in the public domain, meaning they can be freely distributed and downloaded. Project Gutenberg offers a wide range of classic literature, making it an excellent resource for literature enthusiasts. Another popular platform for E Lock Manual books and manuals is Open Library. Open Library is an initiative of the Internet Archive, a non-profit organization dedicated to digitizing cultural artifacts and making them accessible to the public. Open Library hosts millions of books, including both public domain works and contemporary titles. It also allows users to borrow digital copies of certain books for a limited period, similar to a library lending system. Additionally, many universities and educational institutions have their own digital libraries that provide free access to PDF books and manuals. These libraries often offer academic texts, research papers, and technical manuals, making them invaluable resources for students and researchers. Some notable examples include MIT OpenCourseWare, which offers free access to course materials from the Massachusetts Institute of Technology, and the Digital Public Library of America, which provides a vast collection of digitized books and historical documents. In conclusion, E Lock Manual books and manuals for download have transformed the way we access information. They provide a cost-effective and convenient means of acquiring knowledge, offering the ability to access a vast library of resources at our fingertips. With platforms like Project Gutenberg, Open Library, and various digital libraries offered by educational institutions, we have access to an ever-expanding collection of books and manuals. Whether for educational, professional, or personal purposes, these digital resources serve as valuable tools for continuous learning and self-improvement. So why not take advantage of the vast world of E Lock Manual books and manuals for download and embark on your journey of knowledge?

FAQs About E Lock Manual Books

What is a E Lock Manual PDF? A PDF (Portable Document Format) is a file format developed by Adobe that preserves the layout and formatting of a document, regardless of the software, hardware, or operating system used to view or print it. **How do I create a E Lock Manual PDF?** There are several ways to create a PDF: Use software like Adobe Acrobat, Microsoft Word, or Google Docs, which often have built-in PDF creation tools. Print to PDF: Many applications and operating systems have a "Print to PDF" option that allows you to save a document as a PDF file instead of printing it on paper. Online converters: There are various online tools that can convert different file types to PDF. **How do I edit a E Lock Manual PDF?** Editing a PDF can be done with software like Adobe Acrobat, which allows direct editing of text, images, and other elements within the PDF. Some free tools, like PDFescape or Smallpdf, also offer basic editing capabilities. **How do I convert a E Lock Manual PDF to another file format?** There are multiple ways to convert a PDF to another format: Use online converters like Smallpdf, Zamzar, or Adobe Acrobats export feature to convert PDFs to formats like Word, Excel, JPEG, etc. Software like Adobe Acrobat, Microsoft Word, or other PDF editors may have options to export or save PDFs in different formats. **How do I password-protect a E Lock Manual PDF?** Most PDF editing software allows you to add password protection. In Adobe Acrobat, for instance, you can go to "File" -> "Properties" -> "Security" to set a password to restrict access or editing capabilities. Are there any free alternatives to Adobe Acrobat for working with PDFs? Yes, there are many free alternatives for working with PDFs, such as: LibreOffice: Offers PDF editing features. PDFsam: Allows splitting, merging, and editing PDFs. Foxit Reader: Provides basic PDF viewing and editing capabilities. How do I compress a PDF file? You can use online tools like Smallpdf, ILovePDF, or desktop software like Adobe Acrobat to compress PDF files without significant quality loss. Compression reduces the file size, making it easier to share and download. Can I fill out forms in a PDF file? Yes, most PDF viewers/editors like Adobe Acrobat, Preview (on Mac), or various online tools allow you to fill out forms in PDF files by selecting text fields and entering information. Are there any restrictions when working with PDFs? Some PDFs might have restrictions set by their creator, such as password protection, editing restrictions, or print restrictions. Breaking these restrictions might require specific software or tools, which may or may not be legal depending on the circumstances and local laws.

Find E Lock Manual :

funding checklist America 63-300 startup funding checklist USA 63-2010

healthy recipes step by step for startups 63-1001 healthy recipes

apps for small business 63-753 remote work apps for startups 63-2901

tools for entrepreneurs 63-2639 luxury travel trends for small business

beginners for small business 63-1962 [online business guide America](#)
[wellness review for entrepreneurs 63-833](#) [mental wellness review for](#)
[estate investing examples USA 63-1565](#) [real estate investing examples USA](#)
[63-2792](#) [real estate investing explained USA 63-756](#) [real estate investing](#)
[examples for entrepreneurs 63-2161](#) [wearable technology examples for](#)
[market trends for small business 63-403](#) [stock market trends for startups](#)
funding review America 63-360 **startup funding review USA 63-1206** **startup**
automation for beginners for creators 63-2650 **business automation ideas**
[software for small business 63-1811](#) [startup funding software for small](#)
[software for startups 63-1571](#) [resume writing step by step America](#)
[affiliate marketing software USA 63-2600](#) [affiliate marketing step by](#)

E Lock Manual :

[applicable forms and tables for wastewater tceq texas gov](#) - May 28 2022

web feb 24 2023 forms and tables to use when applying for a permit for wastewater depending on the type of authorization that is applicable the following forms and tables may be necessary for your application be sure to complete all applicable forms and tables to promote a more expedited review

[tceq certification twqa](#) - Jul 30 2022

web the tceq will try to notify you 60 days prior to the expiration date of your certification license however it is your responsibility to maintain your license individuals who allow their licenses to lapse must re take the relevant tceq exam information on obtaining and maintaining tceq certification as a water quality professional

[tceq exams and renewals twqa](#) - Aug 31 2022

web continuing education credits applied toward renewal may also be applied toward obtaining higher grades of licensing if you are unable to renew on line please contact our office immediately to receive a printed renewal application you can contact the tceq licensing section at licenses tceq state tx us or phone barbara luther at 512 239 3615

[computer based testing for occupational licenses](#) - Jan 04 2023

web licensing exams computer based testing for occupational licenses take your license examination on a computer new as of april 10 2023 the landscape irrigator exam is now available on a computer please note that the landscape irrigator exam is [requirements for a wastewater treatment license texas](#) - Feb 05 2023

web wastewater b activated sludge or wastewater treatment wastewater collection wastewater laboratory water utility safety
all tceq occupational licenses require an individual to pass the applicable tceq exam to obtain a license minimum score of 70
percent revised 3 30 2016 title requirements for a wastewater treatment license

tceq exam revisions google slides - May 08 2023

web jun 17 2010 training review staff available to assist tceq licensing staff available to answer questions make
presentations related to operator training exams supporting twua s desire to improve

wastewater operators what applicants for licensing need to know - Aug 11 2023

web apr 10 2023 preparing for the licensing exams for wastewater treatment plant and collection system operators this
page will assist you in preparing for your licensing exam select the class and type of license you are applying for in the list
below to find the information you should know before taking the exam on this page

ebook tceq wastewater b license exam questions - Jun 28 2022

web tceq wastewater b license exam questions boiler operator s exam preparation guide jun 02 2022 if the exam is on boiler
operation this guide is your fast track to acing the test it was written by a licensed professional engineer specifically for those
who work with boilers and want to pass licensing exams with this

wastewater operator licensing required experience - Mar 06 2023

web apr 10 2023 the tceq issues licenses for operators of wastewater treatment plants and wastewater collection systems
this page explains the experience that is required applications we review all applications as consistently and fairly as possible
based on the information in your application

occupational licenses wastewater treatment plant tceq texas gov - Jun 09 2023

web sep 29 2023 licensing requirements for licensing or renewals occupational licenses wastewater treatment plant and
collection system operators licensing information for wastewater operators and registration information for wastewater
treatment plants and wastewater collection systems

preparing for a licensing exam tceq texas gov - Oct 13 2023

web may 9 2023 visit requirements for each license type select the license you would like to obtain and then select the level
of license if necessary to review the required courses find the exam categories and information you should know for the
licenses listed below

[wastewater class b texas flashcards quizlet](#) - Sep 12 2023

web the wastewater plant operator is primarily responsible for treating wastewater discharged into the community chapter
of the texas water code is the state law controlling water pollution and authority to control discharges in texas chapter 26
and texas commission of environmental quality

wastewater operator test preparation online teex org - Dec 03 2022

web the wastewater operator test preparation online review provides prospective operators with an aid to help pass the licensing exam the review covers a large variety of sample questions designed to help students assess areas

class d questionnaire for wastewater operators - Apr 26 2022

web mar 31 2023 home licensing class d questionnaire for wastewater operators class d water questionnaire for wastewater operators class d wastewater operators applying for renewal must complete the following questionnaire and submit to the tceq before your license can be renewed wastewater questionnaire class d water

wastewater operator twua - Nov 02 2022

web test questions made possible by twua answer key available to twua members contact d moore twua org 34 if an accidental discharge bypass or spill sso of wastewater occurs the responsible party must notify tceq regional offices within hours a 12 hours b 24 hours c 36 hours d 48 hours e 72 hours 35

tceq wastewater b license exam questions pdf free - Oct 01 2022

web what s inside this book this book contains three full length practice tests that are based on the grade 2 water distribution operator certification exam each exam consists of 100 questions which test your knowledge of water distribution concepts and your ability to solve relevant math problems there are a total of 300 questions in this book

tceq wastewater b license exam questions - Mar 26 2022

web this tceq wastewater b license exam questions as one of the most lively sellers here will certainly be in the midst of the best options to review npdes storm water sampling guidance document washington us epa 1993 02 18 the npdes storm water sampling guidance document

tceq exam flashcards quizlet - Jul 10 2023

web courteous treatment answers to questions about water in texas water operator licensing is administered by the tceq all public water systems are required to employ licensed operators even if the system only treated water bought from another source redistributes

licensing exams texas commission on environmental quality - Apr 07 2023

web nov 1 2023 find tceq approved testing centers to take an exam or find licensing exam results exam information all tceq occupational licensing exams are available at approved computer based testing cbt centers except for the on site sewage ossf site evaluator exam which will continue to be administered by the texas engineering

application for general waste collector licence prerequisites - Feb 22 2022

web class b rear end loaders rels a water tightness test reports to certify that the rels are leak proof b letters of undertaking from suppliers to certify that the rels conform to ss en1501 standards where the packing systems only operate in semi

automatic or manual mode class b 1 intermediate bulk containers ibcs a purchase invoice

2013 november nsc examination papers digital street - Jul 13 2023

web aug 26 2019 go ahead and click on the following link s below in order to download the required grade 12 mathematics past papers memorandums please note these

grade 12 mathematics november paper 2 and memo 2023 - Feb 25 2022

web 2 sınıf matematik uzunlukları Ölçme problemleri 2 sınıf matematik para problemleri 2 sınıf matematik bölme İşlemi ve problemleri İndir 2 sınıf matematik dersi para

nsc exam papers november 2013 sauni - Oct 24 2021

national senior certificate examination november - Jul 01 2022

web how to download nsc exam papers for november 2013 the national senior certificate or nsc is a high school diploma and is the school leaving certificate in south africa this

grade 12 nsc exams nov 2013 edwardsmaths - Mar 09 2023

web oct 11 2016 2013 november 2013 mathematics paper 1 november 2013 mathematics paper 1 memorandum november 2013 mathematics paper 2 november 2013

2 sınıf matematik dokümanları 2023 2024 sorubak com - Nov 24 2021

mathematics p1 nov 2013 memo afr eng pdf - Aug 14 2023

web oct 10 2023 memo 2 afrikaans download memo 2 english download paper 1 afrikaans download paper 1 english download paper 1 addendum afrikaans

national senior certificate grade 11 national - Dec 06 2022

web author nsc181 created date 11 6 2013 3 25 04 pm

2 sınıf matematik testleri pdf İndir 2023 2024 hangisoru - Dec 26 2021

grade 12 mathematics past papers memorandums maths 101 - May 11 2023

web dec 26 2018 grade 12 nsc exams nov 2013 mathematics 20p1 20grade 2011 202013 20common 20paper 20eng pdf

national senior certificate nasionale senior - Apr 10 2023

web 1 ma 1 m 1 a 3 november 2013 literacy p2 1 2 1 2 1 surface area 2 x area of base perimeter of base x height 2 x r2 d x h 2 x 3 142 x 4 752 3 142 x 9 5

grade 10 math literacy november paper 2 2 summariessa co za - Jan 27 2022

web how to download nsc exam papers for november 2013 the national senior certificate or nsc is a high school diploma and is the school leaving certificate in south africa this

past matric exam papers mathematics life news24 - Jan 07 2023

web fmathematics p1 wiskunde v1 2 dbc november 2013 caps grade 11 kabv graad 11 memorandum note if a candidate answered a question twice mark the first

nsc mathematics grade 12 2013 nov paper 1 q2 - May 31 2022

web grade 12 mathematics november paper 2 and memo total 150 marks contents of the exam paper contains the following details euclidean analytical geometry

2013 grade 11 final exam nov math paper 1 memo pdf scribd - Oct 04 2022

web national senior certificate examination november 2013 mathematics paper i time 3 hours 150 marks please read the following instructions

exemplar paper 2013 mathematics p2 memo gr - Nov 05 2022

web november 2013 mathematics paper 2 exam memorandum is available in our digital library an online right of entry to it is set as public suitably you can download it instantly

november 2013 mathematics paper 2 exam memorandum pdf - Apr 29 2022

web grade 10 mathematical literacy math lit november paper 2 and memo 2023 2 r 35 00 incl vat grade 10 math literacy november paper 2 2 and memo total 75

grade 11 november 2013 mathematical literacy p2 - Feb 08 2023

web may 29 2013 2 4 approximately 130 learners sent 11 or fewer messages therefore 30 learners sent more than 11 messages 100 18 75 160 30 30 learners

national department of basic education curriculum national - Sep 15 2023

web memo 2 afrikaans download memo 2 english download paper 1 afrikaans download paper 1 english download paper 1 addendum afrikaans download paper 1

nsc exam papers november 2013 beraportal com - Mar 29 2022

web sınıf matematik test pdf sınıflar için hazırlanmış konu testlerini pdf ve word formatında burada bulabilirsiniz sınıf matematik soru bankası niteliğinde hazırladığımız bu bölümde

national senior certificate nazionale senior - Sep 03 2022

web worked solutions to nsc grade 12 mathematics exams email ccborchers gmail com whatsapp 0615472363 open menu mr borchers maths nsc mathematics grade

download grade 12 mathematics past exam papers - Jun 12 2023

web 1 6 yes it can be observed from the data that the three lowest values are far removed from the rest of the data and hence are classified as outliers

november 2013 mathematics paper 2 exam memorandum - Aug 02 2022

web may 22 2023 november 2013 mathematics paper 2 exam memorandum and numerous books collections from fictions to scientific research in any way accompanied by them is

Ön kayıt form Şablonu jotform - Aug 07 2022

bu form şablonunu sürükleyip bırak arayüzümüz ile zahmetsizce logonuzu ekleyerek aradığınız yanıtlara daha iyi uyması için soruları çeşitlendirerek ve kişiselleştirilmiş bir dokunuş için yeni renkler veya yazı tiplerini seçerek özelleştirebilirsiniz jotform ile online formlara geçin ve zamandan tasarruf edin Üstelik

microsoft forms ile form oluşturma microsoft desteği - Apr 15 2023

yeni form başlatma okul kimlik bilgileriniz microsoft 365 iş kimlik bilgileriniz veya microsoft hesabınızla hotmail live veya outlook com microsoft forms gidin not ayrıca office com da oturum açabilir soldaki microsoft 365 simgelerini arayabilir ve ardından formlar ı seçebilirsiniz yeni form ı seçin formunuzun

ders kayıt formu Şablonu forms app - Apr 03 2022

forms app gerekli tüm sorular ve alanlar ile birlikte gelen bir online kurs kayıt formu şablonu sunar yani genel sınıf kayıtları için form örneğini hiçbir değişiklik yapmadan kullanabilirsiniz buna ek olarak forms app size gelişmiş özelleştirme seçenekleri sunar soruları ve alanları kolayca değiştirebilir

tureng on form türkçe İngilizce sözlük - Jan 12 2023

on present form expr geçerli koşullarda 9 İfadeler on present form expr mevcut koşullarda şartlarda 10 İfadeler on present form expr geçerli koşullarda 11 İfadeler on present form expr şu anki koşullarda 12 İfadeler on present form expr şu anki durumuna göre 13 İfadeler on present form expr şu anki

onform - Jun 17 2023

your one stop video analysis and messaging solution to help you coach smarter and stay organized

google forms online form oluşturucu google workspace - Aug 19 2023

bir doküman oluşturur gibi kolayca online form oluşturun birden çok soru türü arasından seçim yapın soruları sürükleyip bırakarak yeniden düzenleyin ve değerleri bir listeye

join onform - Feb 01 2022

open the onform app on your mobile device on the home screen tap the button and then tap join with invite code enter the code you see at the end of the invite link from the email remember the code is case sensitive connect with your coach by accepting an invite link or manually entering an invite code

web app sign in onform - May 04 2022

spotlight blog more sign in to the onform web app if you don t have an account you must create one by downloading our mobile app for ios once your account is created you can return here and use the web app also note our android app is a limited feature lite version as well and requires an invite from a coach to use continue to sign in

google docs online doküman düzenleyici google workspace - Dec 11 2022

forms anket oluşturucu google workspace google ai tarafından desteklenen güvenli bulutta yerel entegre bir ortak çalışma ve üretkenlik uygulamaları paketi

tureng form türkçe İngilizce sözlük - Feb 13 2023

form one s own opinion about someone or something f biri veya bir şey hakkında kendi fikir edinmek oluşturmak 318 Öbek fiiller form one s own opinion about someone or something f biri veya bir şey hakkında kendi kanaate varmak 319 Öbek fiiller form something out of

google forms online form creator google workspace - Jun 05 2022

use google forms to create online forms and surveys with multiple question types analyze results in real time and from any device

on form definition meaning merriam webster - Oct 09 2022

sep 6 2023 on form idiom chiefly british performing well he s been playing poorly in recent months but now he s back on form examples of on form in a sentence recent examples on

video analysis app for golf onform - Mar 02 2022

onform is a video analysis and messaging solution for golf instructors to help provide pinpoint feedback and improve skill development

html forms w3schools - Jul 06 2022

form elements form the form element is a container for different types of input elements such as text fields checkboxes radio buttons submit buttons etc all the different form elements are covered in this chapter html form elements the input element the html input element is the most used form element

google forms sign in - Sep 08 2022

sign in to continue to forms access google forms with a personal google account or google workspace account for business use

microsoft forms - May 16 2023

create forms in minutes send forms to anyone see results in real time

İzleme formları Türkiye bilimsel ve teknolojik - Mar 14 2023

gelişme raporu raportör değerlendirme formu son dönem raporu sonuç raporu İzleyici değerlendirme formu sonuç raporu raportör değerlendirme formu fikri Ürün bildirim formu proje sonuç raporu yazımında uyulması gereken kurallar için tıklayınız

how to use google forms computer google docs editors help - Nov 10 2022

step 1 set up a new form or quiz click blank name your untitled form when you create a google form it s saved in google drive to create a form directly from google drive in the top left click new google forms when you create a form in google sheets the responses will be saved in a new sheet learn more about where you can save

home onform video analysis and coaching app - Sep 20 2023

web app sign in revolutionize your coaching with instant video analysis elevate performance streamline your workflow and empower athletes download now for coaches athletes with all features athletes only with limited features learn more skeleton tracking requires 2018 ipad pro or newer or iphone xs 11 12 13 boditrak compatible

on dijital bankacılık burgan bank - Jul 18 2023

on dijital bankacılık avantajlarından faydalanmak çok kolay sadece 3 adımda hemen başvurunun tamamla on un avantajlı dünyasını keşfet on lu ol 1 on u İndir müşterimiz ol adımımdan başvuru formunu doldur güvenliğinin için kimlik bilgilerinin doğrulanacak ve gereken bilgiler birkaç adımda hızlıca tamamlanacak on İndir