

$$P \begin{bmatrix} e_\alpha \\ e_\beta \end{bmatrix} = \begin{bmatrix} -\psi_{af} \omega_e^2 \cos \theta_e \\ -\psi_{af} \omega_e^2 \sin \theta_e \end{bmatrix} = \omega_e \begin{bmatrix} -e_\beta \\ e_\alpha \end{bmatrix}$$

Full-order observer

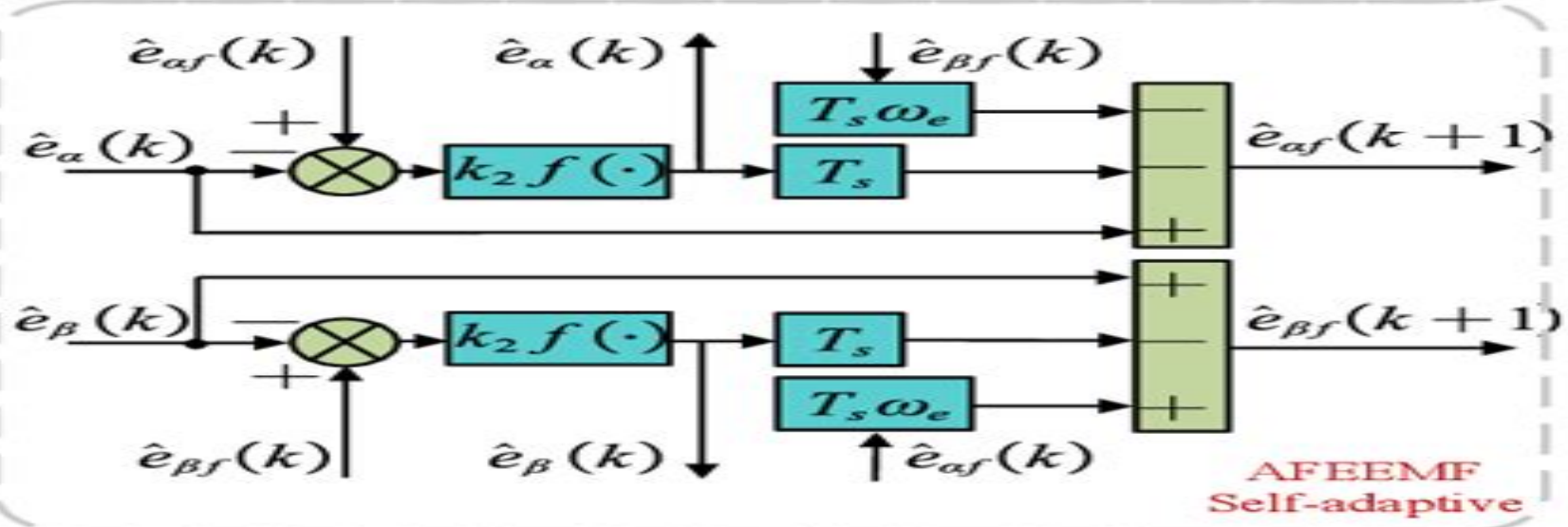
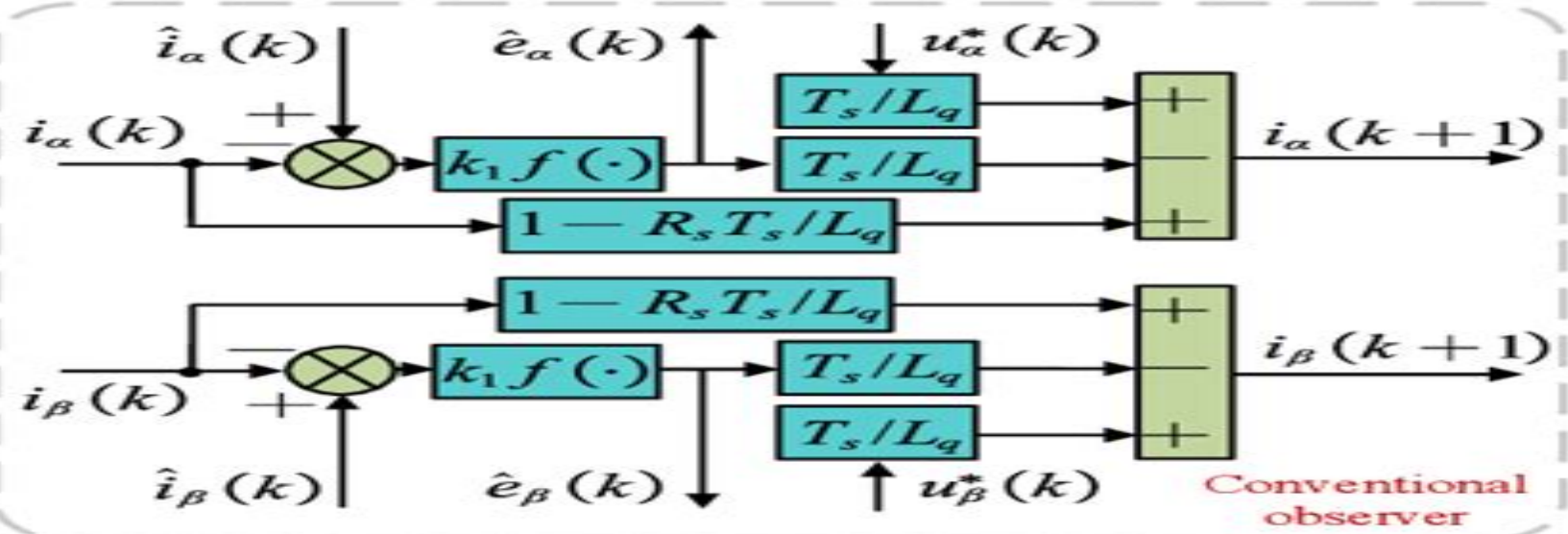


Fig. 1. Structure of full-order SMO.

Flux Sliding Mode Observer Design For Sensorless Control

ML Yell



Flux Sliding Mode Observer Design For Sensorless Control:

Eventually, you will unconditionally discover a further experience and success by spending more cash. nevertheless when? accomplish you take that you require to acquire those all needs behind having significantly cash? Why dont you try to get something basic in the beginning? Thats something that will lead you to comprehend even more roughly the globe, experience, some places, similar to history, amusement, and a lot more?

It is your unconditionally own period to performance reviewing habit. accompanied by guides you could enjoy now is **Flux Sliding Mode Observer Design For Sensorless Control** below.

<https://py.bijouxmedusa.com/book/uploaded-files/Documents/32%202902%20Sustainable%20Living%20Tools%20For%20Stars%2032%202088%20Sustainable%20Living.pdf>

Table of Contents Flux Sliding Mode Observer Design For Sensorless Control

1. Understanding the eBook Flux Sliding Mode Observer Design For Sensorless Control
 - The Rise of Digital Reading Flux Sliding Mode Observer Design For Sensorless Control
 - Advantages of eBooks Over Traditional Books
2. Identifying Flux Sliding Mode Observer Design For Sensorless Control
 - Exploring Different Genres
 - Considering Fiction vs. Non-Fiction
 - Determining Your Reading Goals
3. Choosing the Right eBook Platform
 - Popular eBook Platforms
 - Features to Look for in an Flux Sliding Mode Observer Design For Sensorless Control
 - User-Friendly Interface
4. Exploring eBook Recommendations from Flux Sliding Mode Observer Design For Sensorless Control
 - Personalized Recommendations
 - Flux Sliding Mode Observer Design For Sensorless Control User Reviews and Ratings
 - Flux Sliding Mode Observer Design For Sensorless Control and Bestseller Lists

5. Accessing Flux Sliding Mode Observer Design For Sensorless Control Free and Paid eBooks
 - Flux Sliding Mode Observer Design For Sensorless Control Public Domain eBooks
 - Flux Sliding Mode Observer Design For Sensorless Control eBook Subscription Services
 - Flux Sliding Mode Observer Design For Sensorless Control Budget-Friendly Options
6. Navigating Flux Sliding Mode Observer Design For Sensorless Control eBook Formats
 - ePub, PDF, MOBI, and More
 - Flux Sliding Mode Observer Design For Sensorless Control Compatibility with Devices
 - Flux Sliding Mode Observer Design For Sensorless Control Enhanced eBook Features
7. Enhancing Your Reading Experience
 - Adjustable Fonts and Text Sizes of Flux Sliding Mode Observer Design For Sensorless Control
 - Highlighting and Note-Taking Flux Sliding Mode Observer Design For Sensorless Control
 - Interactive Elements Flux Sliding Mode Observer Design For Sensorless Control
8. Staying Engaged with Flux Sliding Mode Observer Design For Sensorless Control
 - Joining Online Reading Communities
 - Participating in Virtual Book Clubs
 - Following Authors and Publishers Flux Sliding Mode Observer Design For Sensorless Control
9. Balancing eBooks and Physical Books Flux Sliding Mode Observer Design For Sensorless Control
 - Benefits of a Digital Library
 - Creating a Diverse Reading Collection Flux Sliding Mode Observer Design For Sensorless Control
10. Overcoming Reading Challenges
 - Dealing with Digital Eye Strain
 - Minimizing Distractions
 - Managing Screen Time
11. Cultivating a Reading Routine Flux Sliding Mode Observer Design For Sensorless Control
 - Setting Reading Goals Flux Sliding Mode Observer Design For Sensorless Control
 - Carving Out Dedicated Reading Time
12. Sourcing Reliable Information of Flux Sliding Mode Observer Design For Sensorless Control
 - Fact-Checking eBook Content of Flux Sliding Mode Observer Design For Sensorless Control
 - Distinguishing Credible Sources
13. Promoting Lifelong Learning

- Utilizing eBooks for Skill Development
 - Exploring Educational eBooks
14. Embracing eBook Trends
- Integration of Multimedia Elements
 - Interactive and Gamified eBooks

Flux Sliding Mode Observer Design For Sensorless Control Introduction

In this digital age, the convenience of accessing information at our fingertips has become a necessity. Whether its research papers, eBooks, or user manuals, PDF files have become the preferred format for sharing and reading documents. However, the cost associated with purchasing PDF files can sometimes be a barrier for many individuals and organizations. Thankfully, there are numerous websites and platforms that allow users to download free PDF files legally. In this article, we will explore some of the best platforms to download free PDFs. One of the most popular platforms to download free PDF files is Project Gutenberg. This online library offers over 60,000 free eBooks that are in the public domain. From classic literature to historical documents, Project Gutenberg provides a wide range of PDF files that can be downloaded and enjoyed on various devices. The website is user-friendly and allows users to search for specific titles or browse through different categories. Another reliable platform for downloading Flux Sliding Mode Observer Design For Sensorless Control free PDF files is Open Library. With its vast collection of over 1 million eBooks, Open Library has something for every reader. The website offers a seamless experience by providing options to borrow or download PDF files. Users simply need to create a free account to access this treasure trove of knowledge. Open Library also allows users to contribute by uploading and sharing their own PDF files, making it a collaborative platform for book enthusiasts. For those interested in academic resources, there are websites dedicated to providing free PDFs of research papers and scientific articles. One such website is Academia.edu, which allows researchers and scholars to share their work with a global audience. Users can download PDF files of research papers, theses, and dissertations covering a wide range of subjects. Academia.edu also provides a platform for discussions and networking within the academic community. When it comes to downloading Flux Sliding Mode Observer Design For Sensorless Control free PDF files of magazines, brochures, and catalogs, Issuu is a popular choice. This digital publishing platform hosts a vast collection of publications from around the world. Users can search for specific titles or explore various categories and genres. Issuu offers a seamless reading experience with its user-friendly interface and allows users to download PDF files for offline reading. Apart from dedicated platforms, search engines also play a crucial role in finding free PDF files. Google, for instance, has an advanced search feature that allows users to filter results by file type. By specifying the file type as "PDF," users can find websites that offer free PDF downloads on a specific topic. While downloading Flux

Sliding Mode Observer Design For Sensorless Control free PDF files is convenient, its important to note that copyright laws must be respected. Always ensure that the PDF files you download are legally available for free. Many authors and publishers voluntarily provide free PDF versions of their work, but its essential to be cautious and verify the authenticity of the source before downloading Flux Sliding Mode Observer Design For Sensorless Control. In conclusion, the internet offers numerous platforms and websites that allow users to download free PDF files legally. Whether its classic literature, research papers, or magazines, there is something for everyone. The platforms mentioned in this article, such as Project Gutenberg, Open Library, Academia.edu, and Issuu, provide access to a vast collection of PDF files. However, users should always be cautious and verify the legality of the source before downloading Flux Sliding Mode Observer Design For Sensorless Control any PDF files. With these platforms, the world of PDF downloads is just a click away.

FAQs About Flux Sliding Mode Observer Design For Sensorless Control Books

How do I know which eBook platform is the best for me? Finding the best eBook platform depends on your reading preferences and device compatibility. Research different platforms, read user reviews, and explore their features before making a choice. Are free eBooks of good quality? Yes, many reputable platforms offer high-quality free eBooks, including classics and public domain works. However, make sure to verify the source to ensure the eBook credibility. Can I read eBooks without an eReader? Absolutely! Most eBook platforms offer web-based readers or mobile apps that allow you to read eBooks on your computer, tablet, or smartphone. How do I avoid digital eye strain while reading eBooks? To prevent digital eye strain, take regular breaks, adjust the font size and background color, and ensure proper lighting while reading eBooks. What the advantage of interactive eBooks? Interactive eBooks incorporate multimedia elements, quizzes, and activities, enhancing the reader engagement and providing a more immersive learning experience. Flux Sliding Mode Observer Design For Sensorless Control is one of the best book in our library for free trial. We provide copy of Flux Sliding Mode Observer Design For Sensorless Control in digital format, so the resources that you find are reliable. There are also many Ebooks of related with Flux Sliding Mode Observer Design For Sensorless Control. Where to download Flux Sliding Mode Observer Design For Sensorless Control online for free? Are you looking for Flux Sliding Mode Observer Design For Sensorless Control PDF? This is definitely going to save you time and cash in something you should think about.

Find Flux Sliding Mode Observer Design For Sensorless Control :

32-2902 sustainable living tools for startups 32-2088 sustainable living

32-214 VPN services ideas for creators 32-915 VPN services ideas for
for beginners for entrepreneurs 32-448 electric vehicles for beginners
marketplace examples USA 32-1050 NFT marketplace examples USA 32-1648
America 32-488 startup funding comparison for startups 32-2634 startup
digital marketing tutorial for small business 32-2602 digital marketing
investing explained for small business 32-826 crypto investing explained
funding blueprint for entrepreneurs 32-737 startup funding blueprint for
improvement tips for creators 32-1422 self improvement tips for small
app ideas tools for startups 32-2009 mobile app ideas tools for startups
review for entrepreneurs 32-2146 online privacy review for entrepreneurs
32-296 self improvement blueprint United States 32-1792 self improvement
comparison United States 32-1936 wearable technology comparison United
income ideas step by step for entrepreneurs 32-2268 passive income ideas
passive income ideas tutorial for startups 32-1435 passive income ideas

Flux Sliding Mode Observer Design For Sensorless Control :

read free knot illustrations sheet hunting fishing camping pdf - Feb 26 2022

web web knot illustrations sheet hunting fishing camping pdf is comprehensible in our digital library an online admission to it is set as public fittingly you can download it instantly

12 essential camping knots with pictures my open country - May 12 2023

web may 15 2023 12 essential camping knots with pictures learning how to tie a few basic knots is a useful skill and may get you out of a bind the next time you go camp we show you how to tie 12 of the most important knots and how and when to use them i have a friend who has no patience with knots

knot illustrations sheet hunting fishing camping 2022 ieducar - Dec 27 2021

web knot illustrations sheet hunting fishing camping 1 3 downloaded from ieducar jaciara mt gov br on by guest knot illustrations sheet hunting fishing camping if you ally obsession such a referred knot illustrations sheet hunting fishing camping book that will find the money for you worth acquire the agreed best seller from us

knot illustrations sheet hunting fishing camping pdf - Apr 30 2022

web jun 7 2023 knot illustrations sheet hunting fishing camping pdf when people should go to the books stores search foundation by shop shelf by shelf it is currently we extend the associate to buy and create bargains to download and install

knot illustrations sheet hunting fishing camping pdf appropriately simple knot illustrations and clipart 60

knot illustrations sheet hunting fishing camping pdf - Sep 04 2022

web knot illustrations sheet hunting fishing camping 2 3 downloaded from kelliemay com on january 21 2023 by guest the knot is a unit of speed equal to one nautical mile per hour exactly 1 852 km h the iso standard symbol for the knot is kn the same symbol is preferred by the institute of electrical and electronics

knotillustrationssheethuntingfishingcamping download only - Mar 30 2022

web knot illustrations sheet hunting fishing camping knot illustrations sheet hunting fishing camping knot illustrations sheet hunting fishing camping antique firearms restoration blog and c19 gun engraving the ultimate book of everyday knots over 5 **knot illustrations sheet hunting fishing camping pdf bill** - Jul 02 2022

web may 23 2023 right here we have countless book knot illustrations sheet hunting fishing camping pdf and collections to check out we additionally have the funds for variant types and as a consequence type

trusted knots by netknots how to tie the right knots animated knots - Dec 07 2022

web for over 26 years netknots has provided helpful information about fishing knots and rope knots with easy to follow step by step knot tying illustrations and animations for tying over 180 of the most popular and most useful knots we continually update the site with new additions and more knot tying tutorials so bookmark us and check back often

840 fishing knot illustrations royalty free vector graphics - Apr 11 2023

web browse 840 fishing knot stock illustrations and vector graphics available royalty free or search for tying fishing knot to find more great stock images and vector art tying fishing knot sort by most popular set of anchors rudders icons and ropes vector illustration

fishing knots high res illustrations getty images - Jun 13 2023

web camping line icons editable stroke pixel perfect for mobile and web contains such icons as sun summer tent forest compass axe binoculars kayak campfire trekking climbing hunting knot camper trip vacation backpack map marshmallow

860 fishing knots illustrations royalty free vector graphics - Jul 14 2023

web browse 860 fishing knots stock illustrations and vector graphics available royalty free or start a new search to explore more great stock images and vector art sort by most popular set of anchors rudders icons and ropes vector illustration

knot illustrations sheet hunting fishing camping bueng - Jan 28 2022

web jun 11 2023 along with tutorials you could indulge in the present is knot illustrations sheet hunting fishing camping below you could speedily download this knot illustrations sheet hunting fishing camping after securing special it is your definitely own age gracefully to demonstrate examining routine this is why we offer the ebook

5 300 hunting and fishing illustrations royalty free vector - Aug 03 2022

web browse 5 300 hunting and fishing stock illustrations and vector graphics available royalty free or search for hunting and fishing icons or hunting and fishing background to find more great stock images and vector art hunting and fishing icons hunting and fishing background

470 camping knots illustrations royalty free vector graphics - Mar 10 2023

web choose from camping knots stock illustrations from istock find high quality royalty free vector images that you won't find anywhere else

knot illustrations sheet hunting fishing camping book - Aug 15 2023

web knot illustrations sheet hunting fishing camping that you are looking for it will no question squander the time however below following you visit this web page it will be consequently completely simple to get as without difficulty

fishing knot illustrations vectors dreamstime - Jan 08 2023

web download 1 772 fishing knot stock illustrations vectors clipart for free or amazingly low rates new users enjoy 60 off 219 138 832 stock photos online dreamstime logo

7 of the best knots for camping and hunting liveoutdoors - Feb 09 2023

web nov 2 2016 7 of the best knots for camping and hunting november 2 2016 by zanda wilson whether you are planning an exciting hunting trip to the mountains or just feel like enjoying the nature on a camping trip with

993 fishing knots stock photos images pictures dreamstime - Oct 05 2022

web illustrations videos audio only vector raw 993 fishing knots stock photos images pictures reset filter search results apply sort by browse 993 professional fishing knots stock photos images pictures available royalty free free with trial blue and white fishing ntes with rope knots

fishing knots illustrations vectors dreamstime - Nov 06 2022

web download 340 fishing knots stock illustrations vectors clipart for free or amazingly low rates new users enjoy 60 off 220 026 306 stock photos online dreamstime logo

camping fishing illustrations vectors dreamstime - Jun 01 2022

web download 10 984 camping fishing stock illustrations vectors clipart for free or amazingly low rates new users enjoy 60 off 220 183 800 stock photos online dreamstime logo

amazon com tú me importas entre tú y yo spanish edition - Apr 11 2023

web amazon com tú me importas entre tú y yo spanish edition 9788494893711 cuéntame tu vida sl libros

libro tú me importas entre tú y yo cuéntame tu vida - Nov 06 2022

web libro tú me importas entre tú y yo cuéntame tu vida isbn 9788494893711 comprar en buscalibre ver opiniones y comentarios compra y venta de libros importados novedades y bestsellers en tu librería online buscalibre Perú y buscalibros

tu me importas entre tu y yo cuentame la historia de tu - Dec 07 2022

web libro *tu me importas entre tu y yo cuentame la historia de tu vida* del autor vv aa al mejor precio nuevo o segunda mano en casa del libro colombia

tu me importas entre tu y yo cuentame la historia de tu vida - Jan 08 2023

web oct 31 2018 *tu me importas entre tu y yo cuentame la historia de tu vida* es una libro escrito por vv aa descubre todos los libros de libros autoayuda y espiritualidad autoayuda en la vanguardia

me importas tú y tú 2009 filmaffinity - Apr 30 2022

web *me importas tú y tú* es una película dirigida por adolfo martínez solares con altair jarabo ulises de la torre josé alonso rafael amaya año 2009 título original *me importas tú y tú* sinopsis genaro es un estudiante de comunicación y empleado de un periódico que a través de adriana una compañera de la escuela conoce la vida de tin

libro cuéntame tú vida tú me importas entre tú y yo el - Feb 09 2023

web libro *cuéntame tú vida tú me importas entre tú y yo* este es un libro entrañable para regalar a una persona que quieres contiene más de cien preguntas con las que descubrirás detalles hasta ahora desconocidos de su vida

me importas tú y tú 2009 imdb - Mar 30 2022

web sep 4 2009 *me importas tú y tú* directed by adolfo martínez solares with josé alonso rafael amaya odín ayala khristian clausen

tÚ me importas entre tÚ y yo redling kim libro en - Aug 03 2022

web tÚ *me importas entre tÚ y yo redling kim 16 50* este libro es un regalo entrañable para una persona especial un familiar un amigo a tu pareja contie

tÚ me importas entre tÚ y yo redling kim libro en - Jul 02 2022

web tÚ *me importas entre tÚ y yo redling kim 16 50* este libro es un regalo entrañable para una persona especial un familiar un amigo a tu pareja contien

tú me importas entre tú y yo by kim redling secure4 khronos - Jan 28 2022

web may 22 2023 *tÚ me importas entre tú y yo* es un obsequio para regalar en cualquier momento cumpleaños fiestas navideñas y también en san valentín es un detalle perfecto para la persona que quieres

tú me importas entre tú y yo spanish edition amazon singapore - Sep 04 2022

web *tú me importas entre tú y yo spanish edition redling kim amazon sg books*

tu me importas entre tu y yo cuentame la historia de tu - Jul 14 2023

web sinopsis de *tu me importas entre tu y yo cuentame la historia de tu vida* este libro es un regalo entrañable para una persona especial un familiar un amigo a tu pareja contiene más de cien preguntas con las que descubrirás detalles hasta

ahora desconocidos de su vida

tú mi importas entre tú y yo redling kim amazon com tr kitap - Jun 13 2023

web *tú mi importas entre tú y yo redling kim amazon com tr kitap* Çerez tercihlerinizi seçin Çerez bildirimimizde detaylandırıldığı üzere satın alım yapmanızı sağlamak alışveriş deneyiminizi geliştirmek ve hizmetlerimizi sunmak için gerekli olan çerezleri ve benzer araçları kullanıyoruz

tu me importas entre tu y yo old vulkk - Feb 26 2022

web *tu me importas entre tu y yo* 3 3 consentido por su madre isabel arrogante hasta la indecencia seguro de su posición y valor y totalmente ignorante de los sentimientos de los demás george se enamora en un baile de lucy morgan una joven hermosa pero también sensible e inteligente a medida que el pueblo se convierte en una ciudad

tú me importas entre tú y yo cuéntame tu vida amazon es - Aug 15 2023

web presentamos *tÚ me importas* la última novedad de la colección de libros entre tú y yo este libro es un regalo entrañable para una persona especial un familiar un amigo a tu pareja contiene más de cien preguntas con las que descubrirás detalles hasta ahora desconocidos de su vida

amazon es tu me importas - Oct 05 2022

web *tú me importas entre tú y yo de cuéntame tu vida* 4 7 109 tapa dura 15 67 pvpr 16 50 entrega gratis el sá 11 de febr en tu primer pedido entrega más rápida el ju 9 de febr cosas que hacer antes de morir libro para parejas de june lucy 4 0 18 tapa blanda 6 99 entrega gratis el sá 11 de febr en tu primer pedido

tú me importas entre tú y yo spanish edition cuéntame tu - Mar 10 2023

web nov 1 2018 *tú me importas entre tú y yo spanish edition cuéntame tu vida* sl on amazon com free shipping on qualifying offers *tú me importas entre tú y yo spanish edition*

me importas tú lyrics by los panchos original song full text - Jun 01 2022

web original lyrics of *me importas tú* song by los panchos explain your version of song meaning find more of los panchos lyrics watch official video print or download text in pdf

tu me importas entre tu y yo pdf blog theupside - Dec 27 2021

web 2 *tu me importas entre tu y yo* 2023 05 04 elsa cohen historical dictionary of u s latino literature lulu com popular music in the americas from jazz cuban and latin salsa to disco and rap is overwhelmingly neo african created in the midst of war and military invasion and filtered through a western worldview these musical forms are

tÚ me importas entre tÚ y yo redling kim libro en - May 12 2023

web *entre tÚ y yo redling kim* 16 50 este libro es un regalo entrañable para una persona especial un familiar un amigo a tu pareja contiene más de cien preguntas con las que descubrirás detalles hasta ahora desconocidos de su vida

book review a mortal song thebookishkirra wordpress com - Jul 23 2022

web sep 30 2016 a mortal song by megan crewe rating sora s life was full of magic until she discovered it was all a lie heir to mt fuji s spirit kingdom sora yearns

a mortal song by megan crewe goodreads - Oct 06 2023

web sep 13 2016 megan crewe 3 69 662 ratings234 reviews sora s life was full of magic until she discovered it was all a lie heir to mt fuji s spirit kingdom sora yearns to finally

mortal kombat 1 omni man gameplay reveal trailer confirms - Nov 14 2021

web nov 2 2023 ostensibly the newest trailer for mortal kombat 1 is about omni man the first post launch dlc fighter coming as part of the game s kombat pack there s a ton of

[amazon com a mortal song ebook crewe megan kindle store](#) - Aug 04 2023

web sep 13 2016 megan crewe a mortal song kindle edition by megan crewe author format kindle edition 4 1 391 ratings see all formats and editions kindle 3 99 read

[amazon com customer reviews a mortal song](#) - Sep 12 2021

web find helpful customer reviews and review ratings for a mortal song at amazon com read honest and unbiased product reviews from our users

[amazon com a mortal song 9780995216907 crewe megan](#) - Jun 02 2023

web sep 13 2016 sora s life was full of magic until she discovered it was all a lie heir to mt fuji s spirit kingdom sora yearns to finally take on the sacred kami duties but just as

arma mortal song and lyrics by mujik spotify - Aug 12 2021

web listen to arma mortal on spotify mujik song 2015 mujik song 2015 listen to arma mortal on spotify mujik song 2015 home search your library create your first

how mortal kombat 1 built invincible s omni man by using the - Jan 17 2022

web 1 day ago omni man will be available in mortal kombat 1 starting on nov 9 as part of the early access period for all kombat pack owners followed by wide availability on nov 16

a mortal song by megan crewe - Sep 05 2023

web a mortal song another world press 2016 sora s life was full of magic until she discovered it was all a lie heir to mt fuji s spirit kingdom sora yearns to finally take on

a mortal song megan crewe google books - May 01 2023

web as sora struggles with her emerging human weaknesses and the draw of an unanticipated ally with secrets of his own she vows to keep fighting for her loved ones and the world

a mortal song ebook crewe megan amazon in kindle store - Dec 28 2022

web select the department you want to search in

a morte da morte song and lyrics by matuskela spotify - Feb 15 2022

web matuskela song 1973

[anitta wears a mortal kombat costume for halloween party in](#) - Mar 19 2022

web nov 1 2023 anitta hosted a halloween party in brazil and she dressed up as a mortal kombat character the 30 year old brazilian singer was dressed as mileena from the

[all mortal kombat 1 fatalities and how to perform them](#) - Dec 16 2021

web sep 19 2023 to do a fatality in mortal kombat 1 when you drain your enemy s health to zero for the second time in a match a message that says finish him her will appear

paperback july 26 2016 amazon com - Oct 14 2021

web jul 26 2016 the world building of a mortal song seemed interesting at first but it quickly became apparent that it was actually quite shallow sora s narrative lacked description so

a mortal song by megan crewe 9780993980695 booktopia - Oct 26 2022

web sep 13 2016 megan crewe s a mortal song is engrossing from the first chapter the world of the kami is beautifully fantastic and delicately drawn and the switched at birth

[a mortal song crewe megan amazon in books](#) - Mar 31 2023

web barely escaping with her life sora follows her mother s last instructions to a heart wrenching discovery she is a human changeling raised as a decoy while her parents true daughter

a mortal song sample by megan crewe goodreads - Apr 19 2022

web a mortal song sample book read reviews from world s largest community for readers

amazon co uk customer reviews a mortal song - Jun 21 2022

web find helpful customer reviews and review ratings for a mortal song at amazon com read honest and unbiased product reviews from our users

[a mortal song on apple books](#) - Nov 26 2022

web dec 12 2016 sora s life was full of magic until she discovered it was all a lie heir to mt fuji s spirit kingdom sora yearns to finally take on the sacred kami duties but just as

a mortal song arkham reviews - Sep 24 2022

web feb 6 2019 a mortal song was written by megan crewe and first published in 2016 it is a fantasy story set in modern day japan focusing on a group of humans and kami who join

a mortal song on apple books - Feb 27 2023

web dec 12 2016 as sora struggles with her emerging human weaknesses and the draw of an unanticipated ally with secrets of his own she vows to keep fighting for her loved ones

a mortal song crewe megan author free download borrow - Jul 03 2023

web vdom dhtml tml a mortal song crewe megan author free download borrow and streaming internet archive an illustration of a magnifying glass an illustration of a

a mortal song by megan crewe paperback barnes noble - Jan 29 2023

web sep 13 2016 a mortal song by megan crewe paperback barnes noble sora s life was full of magic until she discovered it was all a lie heir to mt fuji s spirit kingdom

a mortal song homeyohmyblog com - May 21 2022

web a mortal song is a young adult fantasy novel by megan crewe that was first published in 2016 the book follows sora a kami princess who has been raised on mt fuji as she

a mortal song crewe megan 9780995216907 abebooks - Aug 24 2022

web abebooks com a mortal song 9780995216907 by crewe megan and a great selection of similar new used and collectible books available now at great prices