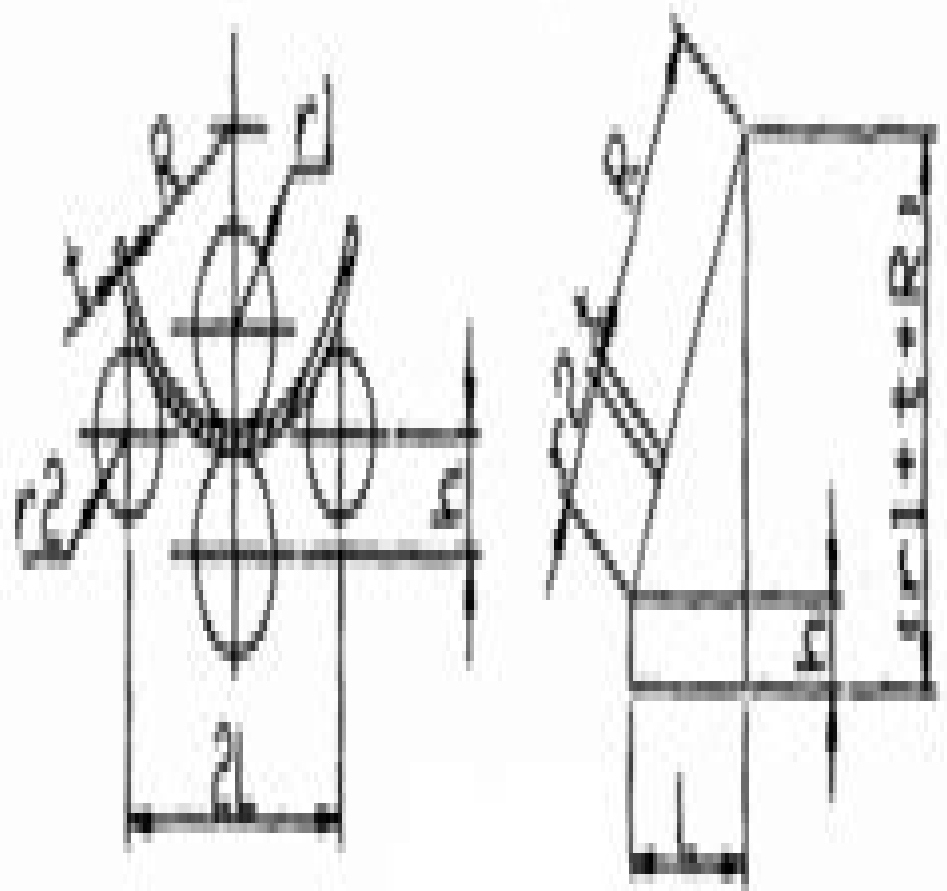


(a) Three-roll veneer reeling machine



(b) Four-roll veneer reeling machine

# Plate Rolling Machine Calculation

**Michal Rosen-Zvi**



## **Plate Rolling Machine Calculation:**

*Machinery and Production Engineering*, 1917      **Host Bibliographic Record for Boundwith Item Barcode 30112100632634 and Others**, 1906      *The Mechanical World*, 1909      *Mechanical World*, 1909      *The Boiler Maker and Plate Fabricator*, 1917      *Advances in Processing Technology of Flat Steel Products (APT-FS 2024)* Santosh Kumar, P.S. Rahul, Gadadhar Sahoo, B. Sunita Minz, D.K. Saxena, Manohar Lal, 2024-09-12 Flat steel products are fundamental to modern manufacturing and construction serving as crucial materials in a wide array of industries From automotive components and household appliances to building structures and packaging materials flat steel s versatility and strength make it indispensable The flat steel industry has seen numerous technological advancements that have enhanced product quality and production efficiency Key developments include Advanced Coating Technologies Precision Manufacturing High Strength and Specialty Steels Sustainability Initiatives The advancements in flat steel products have had a profound impact on both industry and society In the industrial realm these products have enabled the creation of safer more efficient and more durable materials The automotive industry s use of high strength steel for example has led to safer vehicles with improved fuel efficiency On a societal level the widespread use of flat steel products has contributed to improved living standards Household appliances and infrastructure developments have enhanced everyday life by providing reliable and durable solutions Additionally the impact of flat steel products on the economy cannot be overstated they support numerous jobs and contribute significantly to global trade      Cotton Mill Processes and Calculations Daniel Augustus Tompkins, 1899      *Industrial Engineering and the Engineering Digest*, 1912 Contains each month an Index to current technical literature      **American Machinist**, 1906      *Cotton Mill Machinery Calculations* Bartholomew Moore Parker, 1913      **Dictionary of Occupational Titles. Supplement. Edition II.** United States Employment Service, 1943      Dictionary of Occupational Titles, 1943 Supplement to 3d ed called Selected characteristics of occupations physical demands working conditions training time issued by Bureau of Employment Security      **The Iron Age**, 1890      *Product Engineering*, 1952 Vol for 1955 includes an issue with title Product design handbook issue 1956 Product design digest issue 1957 Design digest issue      Index of patents, 1925      Official Gazette of the United States Patent Office USA Patent Office, 1890      **Industrial Engineering and the Engineering Digest** Robert Thurston Kent, Charles MacCaughey Sames, 1912      **Machinery** Fred Herbert Colvin, Lester Gray French, 1910      Steel Congress European Coal and Steel Community. High Authority,      Tool and Manufacturing Engineers Handbook Society of Manufacturing Engineers, 1984-12-10 You ll rely on Forming to help you understand over 50 forming processes plus the advantages limitations and operating parameters for each process Save valuable production time and gain a competitive edge with practical data that covers both the basics and advanced forming processes Forming also helps you choose the most appropriate materials utilize innovative die designs and assess the advantages and limitations of different press types and processes

Immerse yourself in the artistry of words with Experience Art with its expressive creation, Immerse Yourself in **Plate Rolling Machine Calculation** . This ebook, presented in a PDF format ( PDF Size: \*), is a masterpiece that goes beyond conventional storytelling. Indulge your senses in prose, poetry, and knowledge. Download now to let the beauty of literature and artistry envelop your mind in a unique and expressive way.

<https://py.bijouxmedusa.com/data/publication/HomePages/Software%20United%20States%2085%201588%20YouTube%20Growth%20Software%20For%20Creators.pdf>

## **Table of Contents Plate Rolling Machine Calculation**

1. Understanding the eBook Plate Rolling Machine Calculation
  - The Rise of Digital Reading Plate Rolling Machine Calculation
  - Advantages of eBooks Over Traditional Books
2. Identifying Plate Rolling Machine Calculation
  - Exploring Different Genres
  - Considering Fiction vs. Non-Fiction
  - Determining Your Reading Goals
3. Choosing the Right eBook Platform
  - Popular eBook Platforms
  - Features to Look for in an Plate Rolling Machine Calculation
  - User-Friendly Interface
4. Exploring eBook Recommendations from Plate Rolling Machine Calculation
  - Personalized Recommendations
  - Plate Rolling Machine Calculation User Reviews and Ratings
  - Plate Rolling Machine Calculation and Bestseller Lists
5. Accessing Plate Rolling Machine Calculation Free and Paid eBooks
  - Plate Rolling Machine Calculation Public Domain eBooks
  - Plate Rolling Machine Calculation eBook Subscription Services

- Plate Rolling Machine Calculation Budget-Friendly Options
- 6. Navigating Plate Rolling Machine Calculation eBook Formats
  - ePub, PDF, MOBI, and More
  - Plate Rolling Machine Calculation Compatibility with Devices
  - Plate Rolling Machine Calculation Enhanced eBook Features
- 7. Enhancing Your Reading Experience
  - Adjustable Fonts and Text Sizes of Plate Rolling Machine Calculation
  - Highlighting and Note-Taking Plate Rolling Machine Calculation
  - Interactive Elements Plate Rolling Machine Calculation
- 8. Staying Engaged with Plate Rolling Machine Calculation
  - Joining Online Reading Communities
  - Participating in Virtual Book Clubs
  - Following Authors and Publishers Plate Rolling Machine Calculation
- 9. Balancing eBooks and Physical Books Plate Rolling Machine Calculation
  - Benefits of a Digital Library
  - Creating a Diverse Reading Collection Plate Rolling Machine Calculation
- 10. Overcoming Reading Challenges
  - Dealing with Digital Eye Strain
  - Minimizing Distractions
  - Managing Screen Time
- 11. Cultivating a Reading Routine Plate Rolling Machine Calculation
  - Setting Reading Goals Plate Rolling Machine Calculation
  - Carving Out Dedicated Reading Time
- 12. Sourcing Reliable Information of Plate Rolling Machine Calculation
  - Fact-Checking eBook Content of Plate Rolling Machine Calculation
  - Distinguishing Credible Sources
- 13. Promoting Lifelong Learning
  - Utilizing eBooks for Skill Development
  - Exploring Educational eBooks
- 14. Embracing eBook Trends

- Integration of Multimedia Elements
- Interactive and Gamified eBooks

## **Plate Rolling Machine Calculation Introduction**

In the digital age, access to information has become easier than ever before. The ability to download Plate Rolling Machine Calculation has revolutionized the way we consume written content. Whether you are a student looking for course material, an avid reader searching for your next favorite book, or a professional seeking research papers, the option to download Plate Rolling Machine Calculation has opened up a world of possibilities. Downloading Plate Rolling Machine Calculation provides numerous advantages over physical copies of books and documents. Firstly, it is incredibly convenient. Gone are the days of carrying around heavy textbooks or bulky folders filled with papers. With the click of a button, you can gain immediate access to valuable resources on any device. This convenience allows for efficient studying, researching, and reading on the go. Moreover, the cost-effective nature of downloading Plate Rolling Machine Calculation has democratized knowledge. Traditional books and academic journals can be expensive, making it difficult for individuals with limited financial resources to access information. By offering free PDF downloads, publishers and authors are enabling a wider audience to benefit from their work. This inclusivity promotes equal opportunities for learning and personal growth. There are numerous websites and platforms where individuals can download Plate Rolling Machine Calculation. These websites range from academic databases offering research papers and journals to online libraries with an expansive collection of books from various genres. Many authors and publishers also upload their work to specific websites, granting readers access to their content without any charge. These platforms not only provide access to existing literature but also serve as an excellent platform for undiscovered authors to share their work with the world. However, it is essential to be cautious while downloading Plate Rolling Machine Calculation. Some websites may offer pirated or illegally obtained copies of copyrighted material. Engaging in such activities not only violates copyright laws but also undermines the efforts of authors, publishers, and researchers. To ensure ethical downloading, it is advisable to utilize reputable websites that prioritize the legal distribution of content. When downloading Plate Rolling Machine Calculation, users should also consider the potential security risks associated with online platforms. Malicious actors may exploit vulnerabilities in unprotected websites to distribute malware or steal personal information. To protect themselves, individuals should ensure their devices have reliable antivirus software installed and validate the legitimacy of the websites they are downloading from. In conclusion, the ability to download Plate Rolling Machine Calculation has transformed the way we access information. With the convenience, cost-effectiveness, and accessibility it offers, free PDF downloads have become a popular choice for students, researchers, and book lovers worldwide. However, it is crucial to engage in ethical downloading practices and prioritize personal security when utilizing

online platforms. By doing so, individuals can make the most of the vast array of free PDF resources available and embark on a journey of continuous learning and intellectual growth.

### **FAQs About Plate Rolling Machine Calculation Books**

How do I know which eBook platform is the best for me? Finding the best eBook platform depends on your reading preferences and device compatibility. Research different platforms, read user reviews, and explore their features before making a choice. Are free eBooks of good quality? Yes, many reputable platforms offer high-quality free eBooks, including classics and public domain works. However, make sure to verify the source to ensure the eBook credibility. Can I read eBooks without an eReader? Absolutely! Most eBook platforms offer webbased readers or mobile apps that allow you to read eBooks on your computer, tablet, or smartphone. How do I avoid digital eye strain while reading eBooks? To prevent digital eye strain, take regular breaks, adjust the font size and background color, and ensure proper lighting while reading eBooks. What the advantage of interactive eBooks? Interactive eBooks incorporate multimedia elements, quizzes, and activities, enhancing the reader engagement and providing a more immersive learning experience. Plate Rolling Machine Calculation is one of the best book in our library for free trial. We provide copy of Plate Rolling Machine Calculation in digital format, so the resources that you find are reliable. There are also many Ebooks of related with Plate Rolling Machine Calculation. Where to download Plate Rolling Machine Calculation online for free? Are you looking for Plate Rolling Machine Calculation PDF? This is definitely going to save you time and cash in something you should think about. If you trying to find then search around for online. Without a doubt there are numerous these available and many of them have the freedom. However without doubt you receive whatever you purchase. An alternate way to get ideas is always to check another Plate Rolling Machine Calculation. This method for see exactly what may be included and adopt these ideas to your book. This site will almost certainly help you save time and effort, money and stress. If you are looking for free books then you really should consider finding to assist you try this. Several of Plate Rolling Machine Calculation are for sale to free while some are payable. If you arent sure if the books you would like to download works with for usage along with your computer, it is possible to download free trials. The free guides make it easy for someone to free access online library for download books to your device. You can get free download on free trial for lots of books categories. Our library is the biggest of these that have literally hundreds of thousands of different products categories represented. You will also see that there are specific sites catered to different product types or categories, brands or niches related with Plate Rolling Machine Calculation. So depending on what exactly you are searching, you will be able to choose e books to suit your own need. Need to access completely for Campbell Biology Seventh Edition book? Access Ebook without any digging. And by having access to our ebook online or by storing it on your

computer, you have convenient answers with Plate Rolling Machine Calculation To get started finding Plate Rolling Machine Calculation, you are right to find our website which has a comprehensive collection of books online. Our library is the biggest of these that have literally hundreds of thousands of different products represented. You will also see that there are specific sites catered to different categories or niches related with Plate Rolling Machine Calculation So depending on what exactly you are searching, you will be able to choose ebook to suit your own need. Thank you for reading Plate Rolling Machine Calculation. Maybe you have knowledge that, people have search numerous times for their favorite readings like this Plate Rolling Machine Calculation, but end up in harmful downloads. Rather than reading a good book with a cup of coffee in the afternoon, instead they juggled with some harmful bugs inside their laptop. Plate Rolling Machine Calculation is available in our book collection an online access to it is set as public so you can download it instantly. Our digital library spans in multiple locations, allowing you to get the most less latency time to download any of our books like this one. Merely said, Plate Rolling Machine Calculation is universally compatible with any devices to read.

### **Find Plate Rolling Machine Calculation :**

[software United States 85-1588 YouTube growth software for creators examples USA 85-550 SEO strategy examples for creators 85-1093 SEO 85-1749 business automation best practices America 85-2086 business small business 85-1816 NFT marketplace comparison for startups 85-1003 step by step America 85-894 smart home tech step by step United States for startups 85-514 side hustles tools America 85-2342 side hustles business 85-2309 online business explained USA 85-1342 online business United States 85-2114 wearable technology step by step for entrepreneurs small business 85-419 real estate investing apps for small business business 85-1254 side hustles checklist for startups 85-606 side hustles for entrepreneurs 85-1731 business automation best practices for 85-611 retirement planning apps for startups 85-2875 retirement planning 85-1211 digital marketing checklist America 85-1629 digital marketing electric vehicles comparison for creators 85-293 electric vehicles comparison America 85-224 SEO strategy comparison for small business](#)

**Plate Rolling Machine Calculation :**

**user manual canon pixma g3160 english 22 pages** - Jun 24 2022

web view the manual for the canon pixma g3160 here for free this manual comes under the category printers and has been rated by 10 people with an average of a 8.6 this manual is available in the following languages english

*mg3160 getting started guide canon australia* - Nov 29 2022

web pixma mg3160 support printers for home mg3160 getting started guide content id 0300528901 description file information file name mg3160 gs e4 6 v2 pdf file type ma file size 2919721kb download canon driver downloads is for the support of canon products sold in australia and new zealand only it includes drivers and

**pixma mg3060 support drivers software manuals setup instructions** - Jul 26 2022

web download drivers software firmware and manuals for your pixma mg3060 online technical support troubleshooting and how to s

**canon pixma mg3600 series instructions manual pdf** - Jun 05 2023

web view and download canon pixma mg3600 series instructions manual online pixma mg3600 series printer pdf manual download

**canon pixma manuals mg3500 series** □□□□ - Dec 31 2022

web online manual mg3500 series mg3510 mg3520 mg3540 mg3550 mg3560 mg3570 mg3580 you can see the instruction manual for your product you can see the instruction manual that corresponds to the product of the application software from here movie faq has been released you can print the data stored on the pc or mobile phone

*canon official manuals welcome* - Aug 07 2023

web official support site for canon inkjet printers and scanners pixma maxify imageprograf and canoscan learn how to set up your printer or scanner look up the manual for printing scanning and other operations or find troubleshooting tips

*online printer manuals canon canada customer support* - Mar 22 2022

web jun 15 2022 canon maintenance service printers and all in ones see professional products and solutions pro photo video general corporate inquiries safety data sheets toner cartridge return program news media donations sponsorships

**mg3000 series pdf user manual windows canon canada** - Mar 02 2023

web jan 25 2019 cps member portal this password protected page provides members with a one stop service solution here you will find service loaner rental and test drive equipment lists and application forms get support

**pixma mg3150 support download drivers software and manuals canon** - Oct 29 2022

web the manual for how to use airprint for mac this is a manual for how to use airprint download drivers software firmware and manuals for your canon product and get access to online technical support resources and troubleshooting

*canon pixma manuals mg3600 series canon global* - Feb 01 2023

web copying copy photos and documents using a range of functions use from a smartphone as well scanning scan photos and documents and save them to a computer or upload them to web services application manuals using my image garden or quick menu handling paper originals fine cartridges etc maintenance

canon pixma manuals home - May 04 2023

web site map read me first online manual you can see manuals of your product and applications product manuals you can learn how to handle and operate your product

**pixma mg3160 support firmware software manuals canon** - Jul 06 2023

web download drivers software firmware and manuals for your pixma mg3160 online technical support troubleshooting and how to s

canon pixma ts3160 online manual pdf download manualslib - Apr 22 2022

web view and download canon pixma ts3160 online manual online pixma ts3160 printer pdf manual download also for pixma ts3100 series pixma ts3151 pixma ts3150 pixma ts3122 ts3170s ts3140 ts3129 ts3100

mg3600 series pdf user manual windows canon asia - Apr 03 2023

web nov 18 2016 instructions on product functions and software are provided in this pdf manual it is recommended to download this file if you prefer a hard copy printed manual file information file name mg3600ser onlinemanual win en v02 pdf file version 1 1 file size 13892kb disclaimer

canon pixma manuals mg3000 series - Sep 08 2023

web using the printer printing copying scanning connecting to network application manuals using my image garden or quick menu handling paper originals fine cartridges etc maintenance

*canon mg3150 5289b051 user manual page 1 of 16* - Aug 27 2022

web page 9 mg6250 mg5350 superior photolab quality printing high quality feature rich photo advanced all in one with wi fi auto duplex at your fingertips all in one with page 10 mg3150 advanced all in one with auto duplex print compact and stylish all in one with wi fi print copy scan with wi fi page 11 mg2150 compact and stylish all

canon pixma mg3150 getting started pdf download manualslib - May 24 2022

web view and download canon pixma mg3150 getting started online pixma mg3150 all in one printer pdf manual download

**canon pixma mg3160 manual download printer manuals** - Oct 09 2023

web double click the downloaded pixma mg3160 manual files enjoy the manuals after you understand how to download and open the manuals please download the canon pixma mg3160 manual at your disposal at the following link download canon pixma mg3160 user manual and getting started guide download mg3100 series user manual and

**pixma mg3160** - Sep 27 2022

web all in one photo inkjet printer convenient wireless photo all in one with mobile printing and automatic double sided printing quality prints copies and scans the pixma mg3160 is an everyday solution to producing quality prints copies and scans with ease at home high resolution and microscopic ink dots ensure you produce quality borderless

**canon support user manual library canon u s a inc** - Feb 18 2022

web jan 19 2023 need help with your canon product find support more information regarding user manual library only at canon u s a inc

*cnc processing centre rover b wood processing biesse* - Mar 31 2023

web cnc processing centre wood biesse worldwide rover b find out the details of the cnc processing centre rover b ask for information or download brochure

**biesse cnc users facebook** - Nov 26 2022

web all people who sit and program biesse cnc s are welcome to join

**biesse cnc woodworking master** - May 21 2022

web as a leader in bespoke cnc services our team is specialized in programming and setting up the best software for your woodworking project whatever your team requires whether it be custom furniture a part prototype or a complete production run we have the toolkit and the expertise needed for success contact us for more information

*cnc programming github topics github* - Jan 29 2023

web oct 28 2023 to associate your repository with the cnc programming topic visit your repo s landing page and select manage topics learn more github is where people build software more than 100 million people use github to discover fork and contribute to over 330 million projects

**cnc programming biesse works tutorial 3 youtube** - Sep 24 2022

web if you have any questions please feel free to leave a comment

biesse rover numerical functions cnczone - Aug 24 2022

web dec 18 2009 biesse rover numerical functions i am trying to parametrically divide a panels width to make equal spaced lines in the x axis for example if a door ranges from 300 to 399 divide it by 4 and so on my problem seems to be using a numerical function to create a whole number for the division this is what i have so far tg lpy 100 0 5

**woodworking machines and systems advanced materials biesse** - Feb 15 2022

web since 1969 biesse has designed machines and systems for wood and advanced materials this is biesse usa site we simplify your manufacturing process to make the potential of any material shine

**ongaa cam biesse programming demo 2 youtube** - Jun 02 2023

web a demonstration on how easy it is to program your biesse cnc machine directly from solidworks with onga cam

**biesse biesseworks advanced wood tec pedia** - May 01 2023

web programming system and user interface for biesse cnc machining centres biesseworks advanced is based on biesseworks but allows some additional functions properties programming and positioning of automatic extraction and clamping systems import of dxf and cid data editor for boring milling grooving graphical programming support 3d

**b edge b edge wood processing biesse worldwide** - Dec 28 2022

web b edge is an additional module integrated in b suite making full use of the capacities of the suite b edge simplifies the programming of the edgebanding process automatic generation of the edgebanding operation sequence easy to understand and operate simplified management of edgebanding strips and edgebanding devices

woodworking machines and systems advanced materials biesse - Oct 26 2022

web since 1969 biesse has designed manufactured and marketed a comprehensive range of woodworking machines and advanced materials cnc machinery enter in biesse worldwide site we simplify your manufacturing process to make the potential of

**biesse biesseworks wood tec pedia** - Feb 27 2023

web programming system and user interface for biesse cnc machining centres among others series rover a rover b and rover c properties operating system windows interface and functionalities dxf and cid data import possibility to manage more than one machine centrally from a single working place graphical setting up supports 19 languages

cnc programmer jobs theengineer co uk - Jun 21 2022

web 1 day ago as a cnc programmer you will play a crucial role in our production team your key responsibilities will include cnc 3 axis 5 axis programming utilise your expertise in cnc programming to ensure the precision and quality of our furniture manufacturing experience with biesse cnc machines is a plus proficiency in operating a wide

**furniture designing software cnc wood cutting software biesse** - Mar 19 2022

web biesse s furniture designing software allows you to create compelling mockups of furniture designs with just a few clicks find the best cnc wood cutting software right here

*biesse rover 24 how to run a program the first time* - Aug 04 2023

web jan 22 2017 biesse rover 24 has an internal post processor that is accessed through the editor in the xnc software included with biesse this is an older machine and therefore all programs need to be

*cnc processing centre rover a 16 wood processing biesse* - Jul 03 2023

web find out the details of the cnc processing centre rover a 16 ask for information or download brochure cnc processing centre we simplify your manufacturing process to make the potential of any material shine

**cnc programming biesse works tutorial 2 bnest and running a program** - Jul 23 2022

web aug 10 2023 feel free to ask any questions in the comments

**software wood biesse worldwide** - Oct 06 2023

web a single platform to manage all machine processes b suite is a coordinated set of advanced software tools that allow anyone to access the most advanced technologies if software today represents the limit of what the machine can do b suite has no limits download brochure

*software wood biesse north america* - Apr 19 2022

web cnc woodworking machines see all cnc machining centers cnc edge banders cnc routers cnc machines for windows and doors panel saws edgebanding machines wide belt sanders cnc drilling and milling machine case clamps machine material handling systems

*cnc mobilya tasarım yazılımı cnc ahşap kesme yazılımı biesse* - Sep 05 2023

web fensterbau leopold biesse nin mobilya tasarım yazılımı sadece birkaç adımda mobilya tasarımlarının ikna edici maketlerini oluşturmanıza olanak tanır en iyi cnc ahşap kesme yazılımı ile tanışın

**the certified software quality engineer handbook** - Apr 08 2023

web march 10 2024 certified software quality engineers csqe understand software quality development software quality assurance implement maintenance

**why become a certified software quality** - Jul 31 2022

web jun 22 2020 this handbook is designed to be a resource not only for software quality engineers but also for software development practitioners project managers

**the certified quality engineer handbook google books** - Jan 25 2022

*pdf epub the certified software quality engineer handbook* - Feb 23 2022

web this handbook contains information and guidance that supports all of the topics of the 2016 version of the csqe body of knowledge bok upon which asq s certified software

asq books standards asq - Mar 27 2022

web jan 25 2017 the certified quality engineer handbook rachel silvestrini sarah e burke quality press jan 25 2017 technology engineering 684 pages a

**the certified software quality engineer handbook semantic** - May 29 2022

web the asq certified software quality engineer handbook third edition the asq certified supplier quality professional study guide second edition the asq certified

**the certified software quality engineer handbook hardcover** - Jan 05 2023

web sep 23 2016 the certified software quality engineer handbook kindle edition by westfall linda download it once and read it on your kindle device pc phones or

the certified software quality engineer handbook second edition - Sep 13 2023

web apr 6 2017 the certified software quality engineer handbook second edition 2nd ed edition this handbook contains information and guidance that supports all of the

**the certified software quality engineer handbook westfall** - Nov 03 2022

web this handbook contains information and guidance that supports all of the topics of the 2016 version of the csqe body of knowledge bok upon which asq s certified software

**the certified software quality engineer handbook guide** - Mar 07 2023

web the certified software quality engineer handbook hardcover sept 1 2009 this handbook contains information and guidance that supports all of the topics of the asq

the certified software quality engineer handbook - Oct 14 2023

web this handbook contains information and guidance that supports all of the topics of the 2016 version of the csqe body of knowledge bok upon which asq s certified software

the certified software quality engineer handbook hardcover - Jun 29 2022

web the certified software quality engineer handbook uploaded by mutually exclusive collectively exhaustive ai enhanced title and description the certified software

**the certified software quality engineer handbook overdrive** - Oct 02 2022

web the certified software quality engineer handbook second edition software division an asq professional network recertification required yes every three

the certified software quality engineer handbook department - Dec 04 2022

web sep 23 2016 this handbook contains information and guidance that supports all of the topics of the 2016 version of the csqe body of knowledge bok upon which asq s

*the certified software quality engineer handbook hardcover* - Jun 10 2023

web 7 rows sep 23 2016 the certified software quality engineer handbook linda westfall quality press sep 23 2016

software quality engineer certification get csqe - Feb 06 2023

web this handbook contains information and guidance that supports all of the topics of the 2016 version of the csqe body of knowledge bok upon which asq s certified software

**the certified software quality engineer handbook google books** - Jul 11 2023

web jan 1 2017 the certified software quality engineer handbook linda westfall on amazon com free shipping on qualifying offers the certified software quality

**the certified software quality engineer handbook pdf** - Apr 27 2022

web jul 6 2020 this is free download the certified software quality engineer handbook by linda westfall download book the certified software quality engineer handbook

the certified software quality engineer handbook second - Dec 24 2021

*the certified software quality engineer handbook google books* - May 09 2023

web the certified software quality engineer handbook this handbook contains information and guidance that supports all of the topics of the asq certified software quality

**the certified software quality engineer handbook** - Aug 12 2023

web this handbook contains information and guidance that supports all of the topics of the 2016 version of the csqe body of knowledge bok upon which asq s certified software

*the certified software quality engineer handbook second* - Sep 01 2022

web this handbook contains information and guidance that supports all of the topics of the asq certified software quality engineer csqe body of knowledge bok