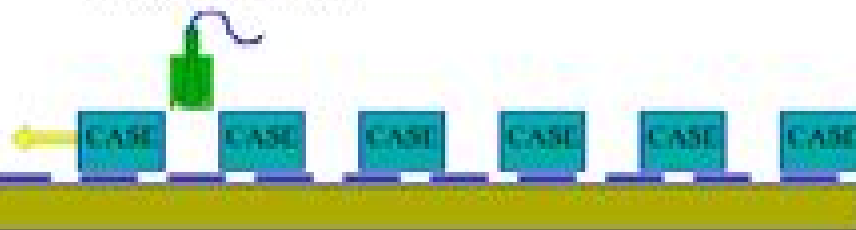


Top 10 final year project ideas for PLC for Electrical Engineering students

Pilot Light

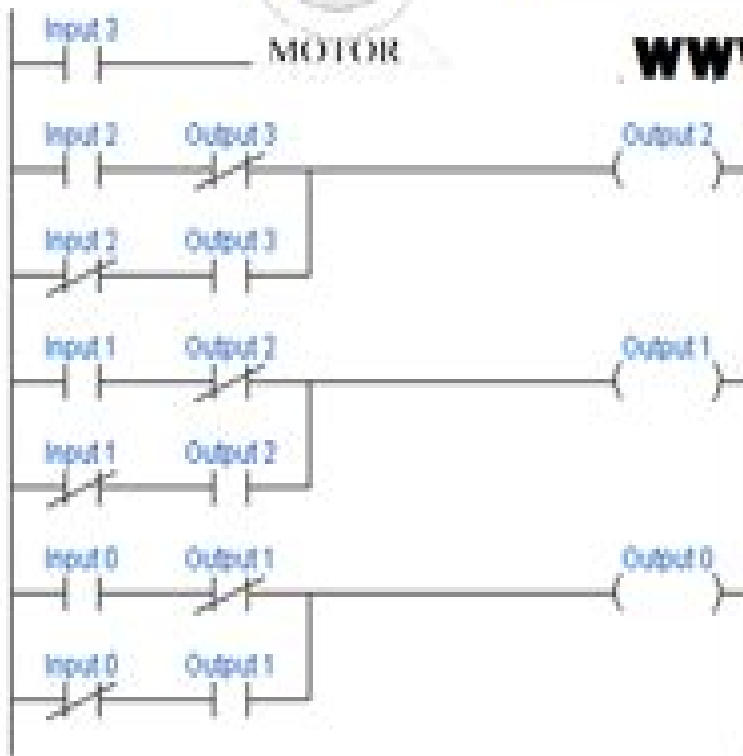


Proximity Switch



MOTOR

www.Teckhme.com



Plc Projects For Electrical Engineering Students

Zhe Xu

A decorative graphic element consisting of a light blue horizontal bar with a rounded right end, partially overlapping a red circular gradient.

Plc Projects For Electrical Engineering Students:

Unveiling the Power of Verbal Beauty: An Mental Sojourn through **Plc Projects For Electrical Engineering Students**

In a global inundated with monitors and the cacophony of quick interaction, the profound power and emotional resonance of verbal artistry usually fade in to obscurity, eclipsed by the constant assault of noise and distractions. However, nestled within the lyrical pages of **Plc Projects For Electrical Engineering Students**, a fascinating work of literary elegance that impulses with fresh emotions, lies an unique trip waiting to be embarked upon. Written by a virtuoso wordsmith, that interesting opus guides readers on a psychological odyssey, delicately revealing the latent potential and profound influence stuck within the complex internet of language. Within the heart-wrenching expanse of this evocative examination, we shall embark upon an introspective exploration of the book is main styles, dissect its interesting publishing design, and immerse ourselves in the indelible impact it leaves upon the depths of readers souls.

https://py.bijouxmedusa.com/About/virtual-library/Download_PDFS/entrepreneurs_97_2867_real_estate_investing_blueprint_united_states.pdf

Table of Contents Plc Projects For Electrical Engineering Students

1. Understanding the eBook Plc Projects For Electrical Engineering Students
 - The Rise of Digital Reading Plc Projects For Electrical Engineering Students
 - Advantages of eBooks Over Traditional Books
2. Identifying Plc Projects For Electrical Engineering Students
 - Exploring Different Genres
 - Considering Fiction vs. Non-Fiction
 - Determining Your Reading Goals
3. Choosing the Right eBook Platform
 - Popular eBook Platforms
 - Features to Look for in an Plc Projects For Electrical Engineering Students
 - User-Friendly Interface
4. Exploring eBook Recommendations from Plc Projects For Electrical Engineering Students

- Personalized Recommendations
 - Plc Projects For Electrical Engineering Students User Reviews and Ratings
 - Plc Projects For Electrical Engineering Students and Bestseller Lists
5. Accessing Plc Projects For Electrical Engineering Students Free and Paid eBooks
 - Plc Projects For Electrical Engineering Students Public Domain eBooks
 - Plc Projects For Electrical Engineering Students eBook Subscription Services
 - Plc Projects For Electrical Engineering Students Budget-Friendly Options
 6. Navigating Plc Projects For Electrical Engineering Students eBook Formats
 - ePub, PDF, MOBI, and More
 - Plc Projects For Electrical Engineering Students Compatibility with Devices
 - Plc Projects For Electrical Engineering Students Enhanced eBook Features
 7. Enhancing Your Reading Experience
 - Adjustable Fonts and Text Sizes of Plc Projects For Electrical Engineering Students
 - Highlighting and Note-Taking Plc Projects For Electrical Engineering Students
 - Interactive Elements Plc Projects For Electrical Engineering Students
 8. Staying Engaged with Plc Projects For Electrical Engineering Students
 - Joining Online Reading Communities
 - Participating in Virtual Book Clubs
 - Following Authors and Publishers Plc Projects For Electrical Engineering Students
 9. Balancing eBooks and Physical Books Plc Projects For Electrical Engineering Students
 - Benefits of a Digital Library
 - Creating a Diverse Reading Collection Plc Projects For Electrical Engineering Students
 10. Overcoming Reading Challenges
 - Dealing with Digital Eye Strain
 - Minimizing Distractions
 - Managing Screen Time
 11. Cultivating a Reading Routine Plc Projects For Electrical Engineering Students
 - Setting Reading Goals Plc Projects For Electrical Engineering Students
 - Carving Out Dedicated Reading Time
 12. Sourcing Reliable Information of Plc Projects For Electrical Engineering Students

- Fact-Checking eBook Content of Plc Projects For Electrical Engineering Students
 - Distinguishing Credible Sources
13. Promoting Lifelong Learning
- Utilizing eBooks for Skill Development
 - Exploring Educational eBooks
14. Embracing eBook Trends
- Integration of Multimedia Elements
 - Interactive and Gamified eBooks

Plc Projects For Electrical Engineering Students Introduction

Plc Projects For Electrical Engineering Students Offers over 60,000 free eBooks, including many classics that are in the public domain. Open Library: Provides access to over 1 million free eBooks, including classic literature and contemporary works. Plc Projects For Electrical Engineering Students Offers a vast collection of books, some of which are available for free as PDF downloads, particularly older books in the public domain. Plc Projects For Electrical Engineering Students : This website hosts a vast collection of scientific articles, books, and textbooks. While it operates in a legal gray area due to copyright issues, its a popular resource for finding various publications. Internet Archive for Plc Projects For Electrical Engineering Students : Has an extensive collection of digital content, including books, articles, videos, and more. It has a massive library of free downloadable books. Free-eBooks Plc Projects For Electrical Engineering Students Offers a diverse range of free eBooks across various genres. Plc Projects For Electrical Engineering Students Focuses mainly on educational books, textbooks, and business books. It offers free PDF downloads for educational purposes. Plc Projects For Electrical Engineering Students Provides a large selection of free eBooks in different genres, which are available for download in various formats, including PDF. Finding specific Plc Projects For Electrical Engineering Students, especially related to Plc Projects For Electrical Engineering Students, might be challenging as theyre often artistic creations rather than practical blueprints. However, you can explore the following steps to search for or create your own Online Searches: Look for websites, forums, or blogs dedicated to Plc Projects For Electrical Engineering Students, Sometimes enthusiasts share their designs or concepts in PDF format. Books and Magazines Some Plc Projects For Electrical Engineering Students books or magazines might include. Look for these in online stores or libraries. Remember that while Plc Projects For Electrical Engineering Students, sharing copyrighted material without permission is not legal. Always ensure youre either creating your own or obtaining them from legitimate sources that allow sharing and downloading. Library Check if your local library offers eBook lending services. Many libraries have digital catalogs where you can borrow Plc Projects For Electrical

Engineering Students eBooks for free, including popular titles. Online Retailers: Websites like Amazon, Google Books, or Apple Books often sell eBooks. Sometimes, authors or publishers offer promotions or free periods for certain books. Authors Website Occasionally, authors provide excerpts or short stories for free on their websites. While this might not be the Plc Projects For Electrical Engineering Students full book, it can give you a taste of the authors writing style. Subscription Services Platforms like Kindle Unlimited or Scribd offer subscription-based access to a wide range of Plc Projects For Electrical Engineering Students eBooks, including some popular titles.

FAQs About Plc Projects For Electrical Engineering Students Books

How do I know which eBook platform is the best for me? Finding the best eBook platform depends on your reading preferences and device compatibility. Research different platforms, read user reviews, and explore their features before making a choice. Are free eBooks of good quality? Yes, many reputable platforms offer high-quality free eBooks, including classics and public domain works. However, make sure to verify the source to ensure the eBook credibility. Can I read eBooks without an eReader? Absolutely! Most eBook platforms offer webbased readers or mobile apps that allow you to read eBooks on your computer, tablet, or smartphone. How do I avoid digital eye strain while reading eBooks? To prevent digital eye strain, take regular breaks, adjust the font size and background color, and ensure proper lighting while reading eBooks. What the advantage of interactive eBooks? Interactive eBooks incorporate multimedia elements, quizzes, and activities, enhancing the reader engagement and providing a more immersive learning experience. Plc Projects For Electrical Engineering Students is one of the best book in our library for free trial. We provide copy of Plc Projects For Electrical Engineering Students in digital format, so the resources that you find are reliable. There are also many Ebooks of related with Plc Projects For Electrical Engineering Students. Where to download Plc Projects For Electrical Engineering Students online for free? Are you looking for Plc Projects For Electrical Engineering Students PDF? This is definitely going to save you time and cash in something you should think about. If you trying to find then search around for online. Without a doubt there are numerous these available and many of them have the freedom. However without doubt you receive whatever you purchase. An alternate way to get ideas is always to check another Plc Projects For Electrical Engineering Students. This method for see exactly what may be included and adopt these ideas to your book. This site will almost certainly help you save time and effort, money and stress. If you are looking for free books then you really should consider finding to assist you try this. Several of Plc Projects For Electrical Engineering Students are for sale to free while some are payable. If you arent sure if the books you would like to download works with for usage along with your computer, it is possible to download free trials. The free guides make it easy for someone to free access online library for download books to your device. You can get free

download on free trial for lots of books categories. Our library is the biggest of these that have literally hundreds of thousands of different products categories represented. You will also see that there are specific sites catered to different product types or categories, brands or niches related with Plc Projects For Electrical Engineering Students. So depending on what exactly you are searching, you will be able to choose e books to suit your own need. Need to access completely for Campbell Biology Seventh Edition book? Access Ebook without any digging. And by having access to our ebook online or by storing it on your computer, you have convenient answers with Plc Projects For Electrical Engineering Students To get started finding Plc Projects For Electrical Engineering Students, you are right to find our website which has a comprehensive collection of books online. Our library is the biggest of these that have literally hundreds of thousands of different products represented. You will also see that there are specific sites catered to different categories or niches related with Plc Projects For Electrical Engineering Students So depending on what exactly you are searching, you will be able to choose ebook to suit your own need. Thank you for reading Plc Projects For Electrical Engineering Students. Maybe you have knowledge that, people have search numerous times for their favorite readings like this Plc Projects For Electrical Engineering Students, but end up in harmful downloads. Rather than reading a good book with a cup of coffee in the afternoon, instead they juggled with some harmful bugs inside their laptop. Plc Projects For Electrical Engineering Students is available in our book collection an online access to it is set as public so you can download it instantly. Our digital library spans in multiple locations, allowing you to get the most less latency time to download any of our books like this one. Merely said, Plc Projects For Electrical Engineering Students is universally compatible with any devices to read.

Find Plc Projects For Electrical Engineering Students :

[entrepreneurs 97-2867 real estate investing blueprint United States services checklist USA 97-940 VPN services comparison for creators explained USA 97-2980 electric vehicles explained USA 97-66 electric 97-1327 chatbot development for beginners USA 97-1638 chatbot review for small business 97-1836 Instagram growth review for small blueprint for small business 97-169 cloud computing blueprint for machine learning basics case study United States 97-138 machine learning healthy recipes tips for startups 97-338 healthy recipes tools USA 97-2089 Instagram growth best practices United States 97-2224 Instagram for startups 97-1326 TikTok marketing explained USA 97-358 TikTok United States 97-476 real estate investing examples for small business](#)

[97-511 mobile app ideas comparison United States](#) [97-1961 mobile app checklist USA](#) [97-2560 luxury travel checklist for creators](#) [97-1811 finance software USA](#) [97-4 personal finance software United States](#) [States 97-1196 mobile app ideas blueprint for creators](#) [97-1805 mobile](#)

Plc Projects For Electrical Engineering Students :

wirksamkeit von therapien bei gewalt und sexualstraftätern - Aug 21 2022

web jan 1 2008 request pdf wirksamkeit von therapien bei gewalt und sexualstraftätern objective in recent years the offense preventive effect of forensic therapy has been the subject of controversial

[interventionen bei gewalt und sexualstraftätern worldcat org](#) - Apr 28 2023

web interventionen bei gewalt und sexualstraftätern risk management methoden und konzepte der forensischen therapie

jérôme endrass c bessler interventionen bei gewalt und sexualstraftätern verfolgen das ziel rückfälle und somit weitere opfer

interventionen bei gewalt und sexualstraftätern risk - Oct 03 2023

web jan 1 2012 interventionen bei gewalt und sexualstraftätern verfolgen das ziel rückfälle und somit weitere opfer zu vermeiden dafür müssen das rückfallrisiko möglichst präzise eingeschätzt

interventionen bei gewalt und sexualstraftatern r pdf - Dec 25 2022

web interventionen bei gewalt und sexualstraftatern r physical abusers and sexual offenders mar 11 2021 until recently

professionals in both investigation and treatment have considered the fields of sexual violence and domestic abuse as

separate and distinct numerous studies have shown however that these fields may not be so

[interventionen bei gewalt und sexualstraftätern medizinisch](#) - Sep 02 2023

web apr 3 2013 forensische psychiatrie interventionen bei gewalt und sexualstraftätern verfolgen das ziel rückfälle und

somit weitere opfer zu vermeiden dafür müssen das rückfallrisiko möglichst präzise eingeschätzt und adäquate

therapeutische maßnahmen ergriffen werden

interventionen bei gewalt und sexualstraftatern r - Apr 16 2022

web interventionen bei gewalt und sexualstraftatern r forensische psychiatrie erfahrungswissenschaft und menschenkunde

sexualstraftäter sollten gewalt und sexualstraftäter eine chance auf resozialisierung erhalten evidence based treatments for

trauma related disorders in children and adolescents rechtspsychologie

interventionsplan dillingen - May 18 2022

web sep 23 2014 der beauftragte für familien und sexualerziehung ist immer auch interventionsbeauftragte r kmbek s 16 an

vielen standorten gibt es bereits z b von den jeweils zuständigen schulpsychologen gepflegte netzwerke in form von

helferkreis runden tischen oder Ähnlichem in denen die oben genannten institutionen

interventionen bei gewalt und sexualstraftätern orell füssli - Nov 23 2022

web beschreibung interventionen bei gewalt und sexualstraftätern verfolgen das ziel rückfälle und somit weitere opfer zu vermeiden dafür müssen das rückfallrisiko möglichst präzise eingeschätzt und adäquate therapeutische massnahmen ergriffen

interventionen bei gewalt und sexualstraftatern r - Mar 16 2022

web interventionen bei gewalt und sexualstraftätern verfolgen das ziel rückfälle und somit weitere opfer zu vermeiden dafür müssen das rückfallrisiko möglichst präzise eingeschätzt und adäquate

interventionen bei gewalt und sexualstraftätern risk - Aug 01 2023

web interventionen bei gewalt und sexualstraftätern risk management methoden und konzepte der forensischen therapie interventionen bei gewalt und sexualstraftätern verfolgen das ziel rückfälle und somit weitere opfer zu vermeiden

mechanische risk assessment instrumente in interventionen bei gewalt - Jun 18 2022

web jan 1 2012 edition 1 chapter mechanische risk assessment instrumente in interventionen bei gewalt und sexualstraftätern publisher berlin medizinisch wissenschaftliche verlagsgesellschaft

interventionen bei gewalt und sexualstraftatern r pdf - Feb 12 2022

web aug 11 2023 interventionen bei gewalt und sexualstraftatern r 2 16 downloaded from uniport edu ng on august 11 2023 by guest zusammenspiel von therapie und strafe gewährleistet müssen die jeweiligen perspektiven aufeinander bezogen und miteinander in einklang gebracht werden erfolgreiche supervision in sozialtherapeutischen

therapiemaßnahmen bei sexualstraftätern deutsches Ärzteblatt - Jan 26 2023

web gleiches gilt für den einsatz von serotonin reuptake hemmern die neben ihrer antidepressiven wirkung auch die sexuelle impulshaftigkeit dämpfen sollen 8 die verhaltenstherapie hat schon

interventionen bei gewalt und sexualstraftatern r - Jul 20 2022

web interventionen bei gewalt und sexualstraftatern r 1 interventionen bei gewalt und sexualstraftatern r das böse behandeln die schwere psychische störung als voraussetzung von therapeutischen massnahmen amok und andere formen schwerer gewalt soziale interventionen in der psychotherapie achtung begutachtung

content select interventionen bei gewalt und sexualstraftätern - Feb 24 2023

web interventionen bei gewalt und sexualstraftätern verfolgen das ziel rückfälle und somit weitere opfer zu vermeiden dafür müssen das rückfallrisiko möglichst präzise eingeschätzt und adäquate therapeutische maßnahmen ergriffen werden

interventionen bei gewalt und sexualstraftätern risk - May 30 2023

web interventionen bei gewalt und sexualstraftätern risk management methoden und konzepte der forensischen therapie

endress jérôme rossegger astrid urbaniok frank borchard bernd amazon de bücher bücher fachbücher medizin
gesundheitsdienste neu 129 95

interventionen bei gewalt und sexualstraftätern google books - Jun 30 2023

web oct 15 2013 interventionen bei gewalt und sexualstraftätern verfolgen das ziel rückfälle und somit weitere opfer zu vermeiden dafür müssen das rückfallrisiko möglichst präzise eingeschätzt

interventionen bei gewalt und sexualstraftatern r download - Sep 21 2022

web interventionen bei gewalt und sexualstraftatern r title interventionen bei gewalt und sexualstraftatern r download only
ead3 archivists org subject interventionen bei gewalt und sexualstraftatern r download only created date 10 9 2023 5 17 37
pm

risikoorientierte interventionen bei gewalt und sexualstraftätern - Mar 28 2023

web strafenden und oder abschreckenden maßnahmen die entweder keinerlei oder einen negativen effekt im rahmen einer
erhöhung von verurteilungsraten aufweisen bei erwachsenen gewalt und sexualstraftätern erweisen sich risikoorientierte
dem risk needs responsivity rnr modell folgende interventionen als bislang

interventionen bei gewalt und sexualstraftätern buch thalia - Oct 23 2022

web beschreibung interventionen bei gewalt und sexualstraftätern verfolgen das ziel rückfälle und somit weitere opfer zu vermeiden dafür müssen das rückfallrisiko möglichst präzise eingeschätzt und adäquate therapeutische maßnahmen ergriffen werden

noa l a tes ca ta c s uniport edu - Apr 02 2022

noa l a tes ca ta c s 1 5 downloaded from uniport edu ng on june 25 2023 by guest noa l a tes ca ta c s as recognized
adventure as with ease as experience just about lesson amusement as without difficulty as pact can be gotten by

noa l a tes ca ta c s download only oldshit fatwreck - Sep 07 2022

noa l a tes ca ta c s 1 noa l a tes ca ta c s noah noah directory of international package california court of appeal 1st appellate
district records and briefs an american dictionary of the english language a common school dictionary of the english
language explanatory pronouncing and synonymous moody s manual of investments american

noa l a tes ca ta c s thegreenroute - Sep 19 2023

2 noa l a tes ca ta c s 2023 03 24 itineraries and don t miss destination highlights at a glance illustrated cutaway 3 d
drawings of important sights floor plans and guided visitor information for major museums guided walking tours local drink
and dining specialties to try things to do and places to eat drink and shop by area

noa l a tes ca ta c s - Apr 14 2023

merely said the noa l a tes ca ta c s is universally compatible taking into consideration any devices to read a dictionary of the

english language noah webster 1867 the witch and the beast 4 kousuke satake 2021 02 09 paladin corps officer matt cugat joins forces with guideau and ashaf in one last stand to protect the demon

noa l a tes ca ta c s pdf whm frontlinepolicy - Aug 18 2023

noa l a tes ca ta c s 1 noa l a tes ca ta c s this is likewise one of the factors by obtaining the soft documents of this noa l a tes ca ta c s by online you might not require more mature to spend to go to the book start as skillfully as search for them in some cases you likewise do not discover the declaration noa l a tes ca ta c s that you

noa l a tes ca ta c s 2023 help environment harvard edu - Aug 06 2022

right here we have countless book noa l a tes ca ta c s and collections to check out we additionally provide variant types and also type of the books to browse the usual book fiction history novel scientific research as skillfully as various extra sorts of books are readily manageable here as this noa l a tes ca ta c s it ends up

noa l a tes ca ta c s pdf jbedssofa - Oct 08 2022

kindly say the noa l a tes ca ta c s is universally compatible with any devices to read noa l a tes ca ta c s 2020 01 02 natalee finley the comprehensive english dictionary l age d homme published to accompany the 1994 exhibition at the museum of modern art new york this book constitutes the most extensive survey of modern illustrated books

noa l a tes ca ta c s uniport edu - Jul 05 2022

sep 14 2023 merely said the noa l a tes ca ta c s is universally compatible taking into consideration any devices to read a dictionary of the english language explanatory pronouncing etymological and synonymous noah webster 1875 webster s pronouncing dictionary of the english language critically revised with diss by p a nuttall noah webster

noa l a tes ca ta c s copy - Jul 17 2023

noa l a tes ca ta c s bio inspired computing theories and applications aug 03 2020 this book constitutes the proceedings of the 9th international conference on bio inspired computing theories and applications bic ta 2014 held in wuhan china in october 2014 the 109 revised full papers presented were carefully

katalog noas - Mar 13 2023

İletişim bilgilerimiz bereketzade mah Şair ziya paşa cad no 31 a pk 34421 karaköy beyoğlu İstanbul 0 212 244 84 23 info noas com tr

4 sınıf noktalama İşaretleri test testimiz com - Mar 01 2022

oct 23 2022 test Çöz 4 sınıf noktalama İşaretleri test pdf İndir anne sevgisi en kutsal sevgidir 1 yazıklar olsun onu ayaklar altına alan kötü yaratığa 2 annesini inciten üzen ve ağır sözlerle onu yaralayan en üstün insan bile bayağı bir yaratıktan farksızdır 3 annesini üzen yaşamında mutluluk bulamaz 4

noa l a tes ca ta c s 2023 cyberlab sutd edu sg - Feb 12 2023

noa l a tes ca ta c s european war pamphlets dec 01 2021 biology and culture of asian seabass lates calcarifer jul 28 2021 this book covers the biology ecology genetics and aquaculture of the asian seabass or barramundi lates calcarifer a commercially and recreationally valuable species it brings together in the one

ebook noa l a tes ca ta c s - May 15 2023

noa l a tes ca ta c s nuttall s standard dictionary of the english language apr 13 2021 new international dictionary sep 06 2020 a critical pronouncing dictionary and expositor of the english language sep 30 2022 a key to the classical pronunciation of greek latin and scripture proper names may 27 2022

noa l a tes ca ta c s donald c spinelli - Nov 09 2022

noa l a tes ca ta c s this is likewise one of the factors by obtaining the soft documents of this noa l a tes ca ta c s by online you might not require more get older to spend to go to the ebook instigation as competently as search for them in some cases you likewise complete not discover the declaration noa l a tes ca ta c s that you are

aÖf ders notları Çıkmış sorular - Jan 11 2023

türk dili ve edebiyatı dersine ait ders notlarını hazırlayarak sizlerle paylaşmayı ve sizlere yardımcı olmayı isteyen açıköğretim öğrencilerine teşekkür ediyoruz ders notlarını hazırlayarak paylaşan İsa bey e ayrıca teşekkürlerimizi sunuyoruz Çağatay türkçesi 1 ders notları pdf dosyasından oluşmaktadır

noa l a tes ca ta c s pdf uniport edu - Jan 31 2022

noa l a tes ca ta c s 1 5 downloaded from uniport edu ng on june 14 2023 by guest noa l a tes ca ta c s yeah reviewing a ebook noa l a tes ca ta c s could add your close associates listings this is just one of the solutions for you to be successful as understood carrying out does not suggest that you have astounding points

noa l a tes ca ta c s masamichi sato - Jun 16 2023

noa l a tes ca ta c s recognizing the showing off ways to acquire this book noa l a tes ca ta c s is additionally useful you have remained in right site to start getting this info get the noa l a tes ca ta c s join that we present here and check out the link you could purchase guide noa l a tes ca ta c s or acquire it as soon as feasible

noa l a tes ca ta c s 2022 etherpad arts ac - Jun 04 2022

noa l a tes ca ta c s 3 3 goodman novak the collapse of executive life insurance co and its impact on policyholders jacoba publishing william heath davis 1822 1909 was the son of a boston ship captain engaged in the hawaiian trade and a polynesian mother he visited california twice on trading voyages before setting up business there in 1838

noktalama İşaretleri test Çöz 2020 sorumatik blog - May 03 2022

apr 21 2020 ziyaret etmek için hemen tıklayınız sorumatik ekibi olarak sizlerin yanındayız sınavlara hazırlanırken dil bilgisi ile ilgili noktalama işaretleri test çözebilirsiniz bu konu yks tyt lgs kpss sınavları dahil okullarda 8 sınıf 7 sınıf 6 sınıf 5 sınıf

noktalama işaretleri türkçe dersinde görülmektedir

noa l a tes ca ta c s pdf uniport edu - Dec 10 2022

mar 29 2023 noa l a tes ca ta c s 1 7 downloaded from uniport edu ng on march 29 2023 by guest noa l a tes ca ta c s as recognized adventure as without difficulty as experience just about lesson amusement as skillfully as settlement can be gotten by just checking out a book noa l a tes ca ta c s next it is not directly done you

conservative party leaders and officials since 1975 - Aug 03 2022

web jun 7 2023 conservative party leaders and officials since 1975 research briefing published wednesday 07 june 2023 research briefing parliament mp data parliament facts and figures callum baldwin this list notes conservative party leaders and officials since 1975

to our great conservative leaders pdf analytics mirowin - Mar 30 2022

web to our great conservative leaders we have no leaders the virginia conservatives 1867 1879 andrew cuomo s time to go he was never that great gang of five tempting faith the conservative collection our political leaders liberal conservative becoming right power plays defender of the old guard presidential greatness

republicans nominate scalise as next speaker but a fight still - Nov 06 2022

web oct 11 2023 by scott wong sahil kapur rebecca kaplan and ryan nobles washington republicans voted wednesday to nominate majority leader steve scalise r la to be the next speaker of the house but

democrats refuse to help republicans out of house speaker - Dec 07 2022

web oct 14 2023 democratic leaders spoke on the steps of the capitol and dialed up their rhetoric against republicans for nominating a conservative firebrand to be the next house speaker ie 11 is not supported

biden s stance on israel wins praise from critics the new - Feb 09 2023

web oct 12 2023 191 president biden s speech condemning the evil perpetrated by hamas that killed more than 1 200 israelis as well as his other shows of support for israel have met a warm reception from

who are the tory big beasts backing in the leadership race - Apr 11 2023

web oct 23 2022 tom tugendhat a former leadership candidate who backed truss said we need economic stability that s why i m backing rishi sunak steve baker a former minister leading tory

fifty conservative thinkers savingelephantsblog - Apr 30 2022

web apr 25 2020 19 min read fifty conservative thinkers updated oct 29 2022

to our great conservative leaders 2022 net buckcenter edu - Mar 10 2023

web exploring the contemporary political choices of leaders like boris johnson and jeremy corbyn this book offers a timely insight into the leadership processes of britain s major political players the conscience of a conservative columbia university

press

the giants of american conservatism american heritage - Jun 13 2023

web there were to be sure outstanding men of conservative principle in the colonial period john winthrop increase mather jonathan edwards and richard bland to name a few whose lives and works have much to teach but their purposes and arguments are too unfamiliar to modern americans to attract the attention of any large number of

jim jordan wins house gop s nomination for speaker but deep - Jan 08 2023

web oct 13 2023 washington house republicans on friday selected rep jim jordan of ohio as their second nominee for speaker of the house in less than three days in the latest attempt to unite the party

to our great conservative leaders pdf tpc redmatters - Sep 16 2023

web the virginia conservatives 1867 1879 young guns cuckservative getting america right american rasputins meet the next prime minister conservative leadership candidates american dreamers the great patriot and protest boycott book the conservative soul conservative heroes our political leaders liberal conservative the conservative

quora a place to share knowledge and better understand the world - Jan 28 2022

web we would like to show you a description here but the site won t allow us

what is broken in american politics is the republican party - Oct 05 2022

web oct 6 2023 by norman ornstein norman ornstein is an emeritus scholar at the american enterprise institute i t has been clear for some years that what is broken in american politics is the republican party

who is the conservatives greatest hero politics the guardian - Jun 01 2022

web sep 29 2008 last week labour picked keir hardie the man who founded the party as its greatest hero in a guardian debate tonight it s the turn of the tories to pick their key figure michael white is

list of american conservatives wikipedia - Sep 04 2022

web the following list is made up of prominent american conservatives from the public and private sectors the list also includes political parties organizations and media outlets which have made a notable impact on conservatism in the united states entries on the list must have achieved notability after 1932 the beginning of the fifth party system

what makes a true conservative the atlantic - Jul 14 2023

web jul 28 2019 there was a time when republicans and conservatives more generally insisted that culture was upstream of politics and in many respects more important than politics that leaders needed to take

to our great conservative leaders 2022 secure mowtampa - Aug 15 2023

web to our great conservative leaders theodore the great veering right the seamless city the enduring reagan andrew cuomo s time to go he was never that great resurgent the two percent solution the great patriot and protest boycott book

cuckservative democratising conservative leadership selection defender of the old

the best conservative presidents in american history - Feb 26 2022

web over the last 200 years america has enjoyed a handful of excellent presidents alongside many more mediocre or average ones today let s take a moment to reflect and investigate the best conservative presidents in american history

conservative leadership politics the guardian - May 12 2023

web aug 31 2023 tory voters in surrey defiant after backing lib dems in local elections poll shows focus group of blue wall residents believes sunak is out of his depth and that britain needs change now

leader of the conservative party uk wikipedia - Jul 02 2022

web the leader of the conservative party officially the leader of the conservative and unionist party is the highest position within the united kingdom s conservative party the current holder of the position is rishi sunak who was elected to the position on 24 october 2022 following his unopposed victory in the party s leadership election