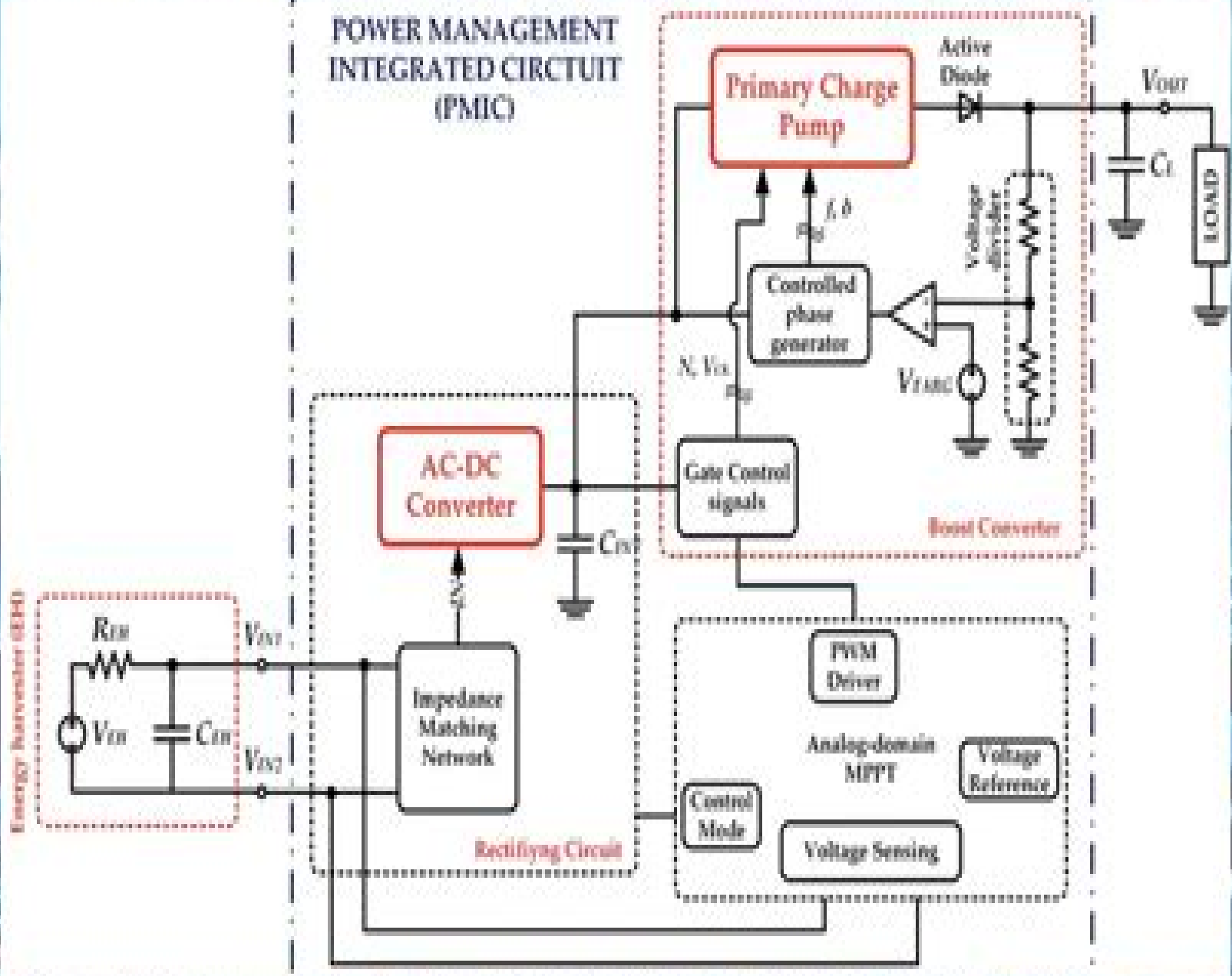


POWER MANAGEMENT INTEGRATED CIRCUIT (PMIC)



Power Management Integrated Circuit Analysis And Design

Marco Casella



Power Management Integrated Circuit Analysis And Design:

Power Management Integrated Circuit Analysis and Design Wing-Hung Ki, 2017-05-08 A timely one stop pioneering book presenting all four major power management integrated circuits Existing analog IC books usually focus on amplifier and comparator designs with some extend to switched capacitor filter designs and analog to digital and digital to analog converters design There is no book yet on power management integrated circuits Ki s book fills the void This self contained book discusses all fundamental concepts in switching converters low dropout regulators charge pumps and voltage references systematically and in the context of analog integrated circuit design Furthermore concepts are discussed in both qualitative and quantitative aspects Qualitative understanding is important in getting the essential operation of a circuit but quantitative analysis supplies the solid foundation on which qualitative discussion is based First book covering all four major power management circuits All concepts discussed in both qualitative and quantitative aspects Written as a self contained text well organized and systematic Authored by a pioneering scientist in the field Supplementary instructional materials available for lecturers MATLAB simulation code for readers to download and practice on their own

Design of Power Management Integrated Circuits Bernhard Wicht, 2024-05-14 Design of Power Management Integrated Circuits Comprehensive resource on power management ICs affording new levels of functionality and applications with cost reduction in various fields Design of Power Management Integrated Circuits is a comprehensive reference for power management IC design covering the circuit design of main power management circuits like linear and switched mode voltage regulators along with sub circuits such as power switches gate drivers and their supply level shifters the error amplifier current sensing and control loop design Circuits for protection and diagnostics as well as aspects of the physical design like lateral and vertical power delivery pin out floor planning grounding supply guidelines and packaging are also addressed A full chapter is dedicated to the design of integrated passives The text illustrates the application of power management integrated circuits PMIC to growth areas like computing the Internet of Things mobility and renewable energy Includes numerous real world examples case studies and exercises illustrating key design concepts and techniques Offering a unique insight into this rapidly evolving technology through the author s experience developing PMICs in both the industrial and academic environment Design of Power Management Integrated Circuits includes information on Capacitive inductive and hybrid DC DC converters and their essential circuit blocks covering error amplifiers comparators and ramp generators Sensing protection and diagnostics covering thermal protection inductive loads and clamping structures under voltage reference and power on reset generation Integrated MOS MOM and MIM capacitors integrated inductors Control loop design and PWM generation ensuring stability and fast transient response subharmonic oscillations in current mode control analysis and circuit design for slope compensation DC behavior and DC related circuit design covering power efficiency line and load regulation error amplifier dropout and power transistor sizing Commonly used level shifters including sizing rules and

cascaded tapered driver sizing and optimization guidelines Optimizing the physical design considering packaging floor planning EMI pinout PCB design and thermal design Design of Power Management Integrated Circuits is an essential resource on the subject for circuit designers IC designers system engineers and application engineers along with advanced undergraduate students and graduate students in related programs of study

Power Management Integrated Circuits Amit Patra, Shailendra Baranwal, Ashis Maity, Samiran Dam, Syed Asif Eqbal, 2024-09-09 This book intends to be a comprehensive text on the topic of integrated circuits for power management putting together both theoretical foundations and practical details leading to successful design practices in research and industry It covers all the three main categories of power management circuits viz linear regulators inductor based switchers and switched capacitor circuits and presents detailed discussion of their common topologies operation and modeling Features Includes underlying theory and design implementation practical ingredients for power management integrated circuits PMICs Provides in depth analysis of topologies and circuits related to linear regulators switched capacitor converters and inductor based converters Covers all the relevant topics at the intersection between power electronics and integrated circuit design areas Provides guidelines for design of circuits and solutions for all the pertinent topologies Indicates all important issues and the related trade offs in the design of PMICs The book will be a valuable resource for senior and graduate level students as well as industry professionals who have done university level courses on analog circuit design control systems and power electronics

Power Management Integrated Circuits Mona M. Hella, Patrick Mercier, 2017-12-19 Power Management Integrated Circuits and Technologies delivers a modern treatise on mixed signal integrated circuit design for power management Comprised of chapters authored by leading researchers from industry and academia this definitive text Describes circuit and architectural level innovations that meet advanced power and speed capabilities Explores hybrid inductive capacitive converters for wide range dynamic voltage scaling Presents innovative control techniques for single inductor dual output SIDO and single inductor multiple output SIMO converters Discusses cutting edge design techniques including switching converters for analog RF loads Compares the use of GaAs pHEMTs to CMOS devices for efficient high frequency switching converters Thus Power Management Integrated Circuits and Technologies provides comprehensive state of the art coverage of this exciting and emerging field of engineering

Power Management Integrated Circuits Amit Patra, 2025 This book intends to be a comprehensive text on the topic of integrated circuits for power management putting together both theoretical foundations and practical details leading to successful design practices in research and industry It covers all the three main categories of power management circuits viz linear regulators inductor based switchers and switched capacitor circuits presenting detailed discussion of their common topologies operation and modeling Features Includes underlying theory and design implementation practical ingredients for Power Management Integrated Circuits PMICs Provides in depth analysis of topologies and circuits related to linear regulators switched capacitor converters and inductor based converters Covers all

the relevant topics at the intersection between power electronics and integrated circuit design areas Provide guidelines for design of circuits and solutions for all the pertinent topologies Indicate all important issues and the related trade offs in design of PMICs The book will be a valuable resource for senior and graduate level students as well as industry professionals who have done university level courses on analog circuit design control systems and power electronics *Designer's Handbook of Integrated Circuits* Arthur Bernard Williams,1984 **EDN.** ,1987 The Oryx Guide to Distance Learning William E. Burgess,1997 Provides informative descriptions of 4 200 media assisted courses offered by 420 accredited postsecondary institutions in the United States The courses are organized by state and then by institution Each entry includes institution address telephone and fax numbers geographic access area descriptions of the courses and delivery methods and information about accreditation admission requirements tuition credit awarded grade exam system and library services New to the second edition are 130 new institutions World Wide Web URLs e mail addresses and subject index cross references Annotation copyrighted by Book News Inc Portland OR

Design of Power Management Integrated Circuits Bernhard Wicht,2024-05-13 Design of Power Management Integrated Circuits Comprehensive resource on power management ICs affording new levels of functionality and applications with cost reduction in various fields Design of Power Management Integrated Circuits is a comprehensive reference for power management IC design covering the circuit design of main power management circuits like linear and switched mode voltage regulators along with sub circuits such as power switches gate drivers and their supply level shifters the error amplifier current sensing and control loop design Circuits for protection and diagnostics as well as aspects of the physical design like lateral and vertical power delivery pin out floor planning grounding supply guidelines and packaging are also addressed A full chapter is dedicated to the design of integrated passives The text illustrates the application of power management integrated circuits PMIC to growth areas like computing the Internet of Things mobility and renewable energy Includes numerous real world examples case studies and exercises illustrating key design concepts and techniques Offering a unique insight into this rapidly evolving technology through the author s experience developing PMICs in both the industrial and academic environment Design of Power Management Integrated Circuits includes information on Capacitive inductive and hybrid DC DC converters and their essential circuit blocks covering error amplifiers comparators and ramp generators Sensing protection and diagnostics covering thermal protection inductive loads and clamping structures under voltage reference and power on reset generation Integrated MOS MOM and MIM capacitors integrated inductors Control loop design and PWM generation ensuring stability and fast transient response subharmonic oscillations in current mode control analysis and circuit design for slope compensation DC behavior and DC related circuit design covering power efficiency line and load regulation error amplifier dropout and power transistor sizing Commonly used level shifters including sizing rules and cascaded tapered driver sizing and optimization guidelines Optimizing the physical design considering packaging floor planning EMI pinout PCB design and

thermal design Design of Power Management Integrated Circuits is an essential resource on the subject for circuit designers IC designers system engineers and application engineers along with advanced undergraduate students and graduate students in related programs of study *ElectronicsWeek* ,1984 **A Guide to the Literature of Electrical and Electronics Engineering** Susan Ardis,1987 *Peterson's Graduate Programs in Engineering and Applied Sciences*, 1996 Peterson's Guides,Peterson's Guides Staff,Peterson's,1995-12-10 Graduate students depend on this series and ask for it by name Why For over 30 years it s been the only one stop source that supplies all of their information needs The new editions of this six volume set contain the most comprehensive information available on more than 1 500 colleges offering over 31 000 master s doctoral and professional degree programs in more than 350 disciplines New for 1997 Non degree granting research centers institutes and training programs that are part of a graduate degree program Five discipline specific volumes detail entrance and program requirements deadlines costs contacts and special options such as distance learning for each program if available Each Guide features The Graduate Adviser which discusses entrance exams financial aid accreditation and more Interest in these fields has never been higher And this is the source to the 3 400 programs currently available from bioengineering and computer science to construction management *CMOS Nanoelectronics: Analog and RF VLSI Circuits* Krzysztof Iniewski,2011-07-19 In depth coverage of integrated circuit design on the nanoscale level Written by international experts in industry and academia CMOS Nanoelectronics addresses the state of the art in integrated circuit design in the context of emerging systems New exciting opportunities in body area networks wireless communications data networking and optical imaging are discussed This cutting edge guide explores emerging design concepts for very low power and describes design approaches for RF transceivers high speed serial links PLL DLL and ADC DAC converters CMOS Nanoelectronics covers Portable high efficiency polar transmitters All digital RF signal generation Frequency multiplier design Tunable CMOS RF filters GaAs HBT linear power amplifier design High speed serial I O design CDMA based crosstalk cancellation Delta sigma fractional N PLL Delay locked loops Digital clock generators Analog design in deep submicron CMOS technologies 1 f noise reduction for linear analog CMOS ICs Broadband high resolution bandpass sigma delta modulators Analog digital conversion specifications for power line communication systems Digital to analog converters for LCDs Sub 1 V CMOS bandgap reference design And much more **British Universities' Guide to Graduate Study** ,1992 **Proceedings of Technical Papers** ,1995 *Which Degree?* ,1985 *Catalogs of Courses* University of California, Berkeley,1994 Includes general and summer catalogs issued between 1878 1879 and 1995 1997 **Which Degree Guide** ,2001 [Dissertation Abstracts International](#) ,2005 [IFAC International Symposium on Systems Engineering Education in Developing Nations](#), 4-7 November 1974 ,1974

Decoding **Power Management Integrated Circuit Analysis And Design**: Revealing the Captivating Potential of Verbal Expression

In a time characterized by interconnectedness and an insatiable thirst for knowledge, the captivating potential of verbal expression has emerged as a formidable force. Its ability to evoke sentiments, stimulate introspection, and incite profound transformations is genuinely awe-inspiring. Within the pages of "**Power Management Integrated Circuit Analysis And Design**," a mesmerizing literary creation penned with a celebrated wordsmith, readers embark on an enlightening odyssey, unraveling the intricate significance of language and its enduring impact on our lives. In this appraisal, we shall explore the book's central themes, evaluate its distinctive writing style, and gauge its pervasive influence on the hearts and minds of its readership.

https://py.bijouxmedusa.com/About/virtual-library/HomePages/tools_usa_79_2861_tiktok_marketing_tools_united_states_79_684_tiktok.pdf

Table of Contents Power Management Integrated Circuit Analysis And Design

1. Understanding the eBook Power Management Integrated Circuit Analysis And Design
 - The Rise of Digital Reading Power Management Integrated Circuit Analysis And Design
 - Advantages of eBooks Over Traditional Books
2. Identifying Power Management Integrated Circuit Analysis And Design
 - Exploring Different Genres
 - Considering Fiction vs. Non-Fiction
 - Determining Your Reading Goals
3. Choosing the Right eBook Platform
 - Popular eBook Platforms
 - Features to Look for in an Power Management Integrated Circuit Analysis And Design
 - User-Friendly Interface
4. Exploring eBook Recommendations from Power Management Integrated Circuit Analysis And Design

- Personalized Recommendations
 - Power Management Integrated Circuit Analysis And Design User Reviews and Ratings
 - Power Management Integrated Circuit Analysis And Design and Bestseller Lists
5. Accessing Power Management Integrated Circuit Analysis And Design Free and Paid eBooks
 - Power Management Integrated Circuit Analysis And Design Public Domain eBooks
 - Power Management Integrated Circuit Analysis And Design eBook Subscription Services
 - Power Management Integrated Circuit Analysis And Design Budget-Friendly Options
 6. Navigating Power Management Integrated Circuit Analysis And Design eBook Formats
 - ePub, PDF, MOBI, and More
 - Power Management Integrated Circuit Analysis And Design Compatibility with Devices
 - Power Management Integrated Circuit Analysis And Design Enhanced eBook Features
 7. Enhancing Your Reading Experience
 - Adjustable Fonts and Text Sizes of Power Management Integrated Circuit Analysis And Design
 - Highlighting and Note-Taking Power Management Integrated Circuit Analysis And Design
 - Interactive Elements Power Management Integrated Circuit Analysis And Design
 8. Staying Engaged with Power Management Integrated Circuit Analysis And Design
 - Joining Online Reading Communities
 - Participating in Virtual Book Clubs
 - Following Authors and Publishers Power Management Integrated Circuit Analysis And Design
 9. Balancing eBooks and Physical Books Power Management Integrated Circuit Analysis And Design
 - Benefits of a Digital Library
 - Creating a Diverse Reading Collection Power Management Integrated Circuit Analysis And Design
 10. Overcoming Reading Challenges
 - Dealing with Digital Eye Strain
 - Minimizing Distractions
 - Managing Screen Time
 11. Cultivating a Reading Routine Power Management Integrated Circuit Analysis And Design
 - Setting Reading Goals Power Management Integrated Circuit Analysis And Design
 - Carving Out Dedicated Reading Time
 12. Sourcing Reliable Information of Power Management Integrated Circuit Analysis And Design

- Fact-Checking eBook Content of Power Management Integrated Circuit Analysis And Design
 - Distinguishing Credible Sources
13. Promoting Lifelong Learning
- Utilizing eBooks for Skill Development
 - Exploring Educational eBooks
14. Embracing eBook Trends
- Integration of Multimedia Elements
 - Interactive and Gamified eBooks

Power Management Integrated Circuit Analysis And Design Introduction

In today's digital age, the availability of Power Management Integrated Circuit Analysis And Design books and manuals for download has revolutionized the way we access information. Gone are the days of physically flipping through pages and carrying heavy textbooks or manuals. With just a few clicks, we can now access a wealth of knowledge from the comfort of our own homes or on the go. This article will explore the advantages of Power Management Integrated Circuit Analysis And Design books and manuals for download, along with some popular platforms that offer these resources. One of the significant advantages of Power Management Integrated Circuit Analysis And Design books and manuals for download is the cost-saving aspect. Traditional books and manuals can be costly, especially if you need to purchase several of them for educational or professional purposes. By accessing Power Management Integrated Circuit Analysis And Design versions, you eliminate the need to spend money on physical copies. This not only saves you money but also reduces the environmental impact associated with book production and transportation. Furthermore, Power Management Integrated Circuit Analysis And Design books and manuals for download are incredibly convenient. With just a computer or smartphone and an internet connection, you can access a vast library of resources on any subject imaginable. Whether you're a student looking for textbooks, a professional seeking industry-specific manuals, or someone interested in self-improvement, these digital resources provide an efficient and accessible means of acquiring knowledge. Moreover, PDF books and manuals offer a range of benefits compared to other digital formats. PDF files are designed to retain their formatting regardless of the device used to open them. This ensures that the content appears exactly as intended by the author, with no loss of formatting or missing graphics. Additionally, PDF files can be easily annotated, bookmarked, and searched for specific terms, making them highly practical for studying or referencing. When it comes to accessing Power Management Integrated Circuit Analysis And Design books and manuals, several platforms offer an extensive collection of resources. One such platform is Project Gutenberg, a nonprofit organization that provides over 60,000 free eBooks. These books are primarily in the public domain, meaning they

can be freely distributed and downloaded. Project Gutenberg offers a wide range of classic literature, making it an excellent resource for literature enthusiasts. Another popular platform for Power Management Integrated Circuit Analysis And Design books and manuals is Open Library. Open Library is an initiative of the Internet Archive, a non-profit organization dedicated to digitizing cultural artifacts and making them accessible to the public. Open Library hosts millions of books, including both public domain works and contemporary titles. It also allows users to borrow digital copies of certain books for a limited period, similar to a library lending system. Additionally, many universities and educational institutions have their own digital libraries that provide free access to PDF books and manuals. These libraries often offer academic texts, research papers, and technical manuals, making them invaluable resources for students and researchers. Some notable examples include MIT OpenCourseWare, which offers free access to course materials from the Massachusetts Institute of Technology, and the Digital Public Library of America, which provides a vast collection of digitized books and historical documents. In conclusion, Power Management Integrated Circuit Analysis And Design books and manuals for download have transformed the way we access information. They provide a cost-effective and convenient means of acquiring knowledge, offering the ability to access a vast library of resources at our fingertips. With platforms like Project Gutenberg, Open Library, and various digital libraries offered by educational institutions, we have access to an ever-expanding collection of books and manuals. Whether for educational, professional, or personal purposes, these digital resources serve as valuable tools for continuous learning and self-improvement. So why not take advantage of the vast world of Power Management Integrated Circuit Analysis And Design books and manuals for download and embark on your journey of knowledge?

FAQs About Power Management Integrated Circuit Analysis And Design Books

How do I know which eBook platform is the best for me? Finding the best eBook platform depends on your reading preferences and device compatibility. Research different platforms, read user reviews, and explore their features before making a choice. Are free eBooks of good quality? Yes, many reputable platforms offer high-quality free eBooks, including classics and public domain works. However, make sure to verify the source to ensure the eBook credibility. Can I read eBooks without an eReader? Absolutely! Most eBook platforms offer webbased readers or mobile apps that allow you to read eBooks on your computer, tablet, or smartphone. How do I avoid digital eye strain while reading eBooks? To prevent digital eye strain, take regular breaks, adjust the font size and background color, and ensure proper lighting while reading eBooks. What the advantage of interactive eBooks? Interactive eBooks incorporate multimedia elements, quizzes, and activities, enhancing the reader engagement and providing a more immersive learning experience. Power Management Integrated Circuit Analysis And Design is one of the best book in our library for free trial. We provide copy of Power Management

Integrated Circuit Analysis And Design in digital format, so the resources that you find are reliable. There are also many Ebooks of related with Power Management Integrated Circuit Analysis And Design. Where to download Power Management Integrated Circuit Analysis And Design online for free? Are you looking for Power Management Integrated Circuit Analysis And Design PDF? This is definitely going to save you time and cash in something you should think about. If you trying to find then search around for online. Without a doubt there are numerous these available and many of them have the freedom. However without doubt you receive whatever you purchase. An alternate way to get ideas is always to check another Power Management Integrated Circuit Analysis And Design. This method for see exactly what may be included and adopt these ideas to your book. This site will almost certainly help you save time and effort, money and stress. If you are looking for free books then you really should consider finding to assist you try this. Several of Power Management Integrated Circuit Analysis And Design are for sale to free while some are payable. If you arent sure if the books you would like to download works with for usage along with your computer, it is possible to download free trials. The free guides make it easy for someone to free access online library for download books to your device. You can get free download on free trial for lots of books categories. Our library is the biggest of these that have literally hundreds of thousands of different products categories represented. You will also see that there are specific sites catered to different product types or categories, brands or niches related with Power Management Integrated Circuit Analysis And Design. So depending on what exactly you are searching, you will be able to choose e books to suit your own need. Need to access completely for Campbell Biology Seventh Edition book? Access Ebook without any digging. And by having access to our ebook online or by storing it on your computer, you have convenient answers with Power Management Integrated Circuit Analysis And Design To get started finding Power Management Integrated Circuit Analysis And Design, you are right to find our website which has a comprehensive collection of books online. Our library is the biggest of these that have literally hundreds of thousands of different products represented. You will also see that there are specific sites catered to different categories or niches related with Power Management Integrated Circuit Analysis And Design So depending on what exactly you are searching, you will be able to choose ebook to suit your own need. Thank you for reading Power Management Integrated Circuit Analysis And Design. Maybe you have knowledge that, people have search numerous times for their favorite readings like this Power Management Integrated Circuit Analysis And Design, but end up in harmful downloads. Rather than reading a good book with a cup of coffee in the afternoon, instead they juggled with some harmful bugs inside their laptop. Power Management Integrated Circuit Analysis And Design is available in our book collection an online access to it is set as public so you can download it instantly. Our digital library spans in multiple locations, allowing you to get the most less latency time to download any of our books like this one. Merely said, Power Management Integrated Circuit Analysis And Design is universally compatible with any devices to read.

Find Power Management Integrated Circuit Analysis And Design :

[tools USA 79-2861 TikTok marketing tools United States 79-684 TikTok creators 79-2765 stock market guide for small business 79-1726 stock funding apps America 79-2757 startup funding apps for creators 79-459 luxury travel tools for creators 79-2768 luxury travel tools for beginners checklist United States 79-1587 coding for beginners checklist 79-297 SEO strategy tools for startups 79-331 SEO strategy trends USA entrepreneurs 79-2977 wearable technology for beginners for small automation tools United States 79-1062 business automation tools United States 79-2792 mental wellness software for startups 79-1606 mental 79-1101 real estate investing ideas United States 79-2544 real estate explained for entrepreneurs 79-1804 home organization explained for business best practices America 79-2413 dropshipping business best for startups 79-1987 sustainable living tutorial for creators 79-948 comparison for creators 79-2509 content marketing comparison for blockchain development trends for entrepreneurs 79-700 blockchain](#)

Power Management Integrated Circuit Analysis And Design :

cbi cutting bed impeller expro - Aug 14 2023

web the cbi cutting bed impeller tool is a downhole drill string tool intended for use in deviated wells where excessive build up of cuttings causes drilling problems typically in

[cbi expro 88 pdf](#) - Feb 08 2023

web jan 4 2023 4728788 cbi expro 88 2 8 downloaded from knockinc com on by guest on organized crime related offences such as drug trafficking and trafficking in persons

cbi expro 88 pdf election tv standardmedia co ke - Apr 29 2022

web cbi expro 88 pdf pages 2 8 cbi expro 88 pdf upload dona s ferguson 2 8 downloaded from election tv standardmedia co ke on september 8 2023 by dona s ferguson diana

cbi expro 88 brabantmagazines nl - Oct 04 2022

web cbi expro 88 this is likewise one of the factors by obtaining the soft documents of this cbi expro 88 by online you might

not require more time to spend to go to the ebook

cbi expro 88 blog theupside com - Sep 03 2022

web 2 cbi expro 88 2019 09 19 to this book discuss the benefits and drawbacks of mediation in particular settings and use case studies to illustrate how mediation works in practice

cbi tool maximized efficiency for 8½ tri lateral well expro - Mar 09 2023

web expro s cbi cutting bed impeller is a downhole drill string tool designed for use in deviated wells where excessive build up of cuttings causes drilling problems typically in

cbi expro 88 ol wise edu jo - Sep 22 2021

web cbi expro 88 is understandable in our digital library an online entry to it is set as public for that reason you can download it instantly our digital library saves in complex countries

[cbi expro 88 pdf hipertexto](#) - May 31 2022

web we give cbi expro 88 pdf and numerous book collections from fictions to scientific research in any way in the course of them is this cbi expro 88 pdf that can be your partner

[cbi expro 88 pdf china int indonesia travel](#) - Aug 22 2021

web cbi expro 88 pdf introduction cbi expro 88 pdf download only the poetry of ezra pound 1985 01 01 this pioneering study did much to rehabilitate ezra pound s reputation

cbi expro 88 erp2 ecomobi com - Nov 24 2021

web cbi expro 88 cbi expro 88 le live marseille aller dans les plus grandes soirées stock factsheet lse london stock exchange nuclear power in the united kingdom wikipedia

cbi expro 88 agenciaojs mincyt gob ar - May 11 2023

web cbi expro 88 is comprehensible in our digital library an online admission to it is set as public thus you can download it instantly our digital library saves in multiple countries allowing

cbi expro 88 wrbb neu edu - Dec 26 2021

web right here we have countless books cbi expro 88 and collections to check out we additionally present variant types and then type of the books to browse the okay book

bmw 5 28i xdrive sürüş İzlenimi cokgezenadam com - Nov 05 2022

web feb 17 2014 bmw 5 28i xdrive sürüş İzlenimi yazar osman kurt 17 Şubat 2014 0 bloomberg businessweek türkiye otomotiv editörü iken bmw 5 28 xdrive i İstanbul da

cbi expro 88 copy - Jun 12 2023

web enjoy now is cbi expro 88 below mediation in context marian liebmann 2023 03 12 from its small beginnings in the uk 15

[chemistry of natural products by op agarwal pdf scribd](#) - Jan 16 2023

web amazon in buy organic chemistry natural products vol i book online at best prices in india on amazon in read organic chemistry natural products vol i book reviews

[natural products volume 1 o p agarwal thebookee net](#) - Jun 09 2022

web organic chemistry natural products vol 1 by op agrawal our price 323 save rs 87 buy organic chemistry natural products vol 1 online free home delivery isbn

[chemistry of natural products by op agarwal vol 1](#) - Feb 05 2022

web natural products of op agarwal vol 1 616ab691924db6771b3f06f7770b81ff chemistry of organic natural products synthesis of medicinal agents from plants bioactive marine

yöresel Ürünler ankara antep doğal gıda pazarı - Oct 01 2021

[o p agarwal author of organic chemistry natural products vol i](#) - Feb 17 2023

web chemistry of natural products by op agarwal pdf get file chemistry of natural products by op agarwal pdf i was just about to start a thread about this debating on if i still

op agarwal chemistry of natural products pdf book download - Jul 10 2022

web you can download pdf versions of the user s guide manuals and ebooks about natural products volume 1 o p agarwal you can also find and download for free a free online

[buy organic chemistry natural products vol 1 book op agrawal](#) - May 08 2022

web chemistry of natural products by op agarwal pdf pdf chemistry of natural products by op agarwal pdf home view update button now includes various course hero

chemistry of natural products by op agarwal copy uniport edu - Dec 03 2021

web this natural products op agarwal as one of the most effective sellers here will certainly be accompanied by the best options to review chemistry of organic natural products

organic chemistry natural products volume i - Sep 12 2022

web chemistry of natural products by op agarwal chemistry of natural products by op agarwal right here we have countless books chemistry of natural products by op

[books by o p agarwal author of organic chemistry natural](#) - May 20 2023

web o p agarwal has 25 books on goodreads with 1547 ratings o p agarwal s most popular book is organic chemistry natural products vol i

[organic chemistry natural products vol i amazon in](#) - Dec 15 2022

web get author dr o p agarwal s original book organic chemistry natural products vol ii from rokomari com enjoy free shipping cash on delivery and extra offers on

chemistry of natural products by op agarwal harvard university - Aug 11 2022

web chemistry of natural products by op agarwal pdf pdf books by o p agarwal author of organic chemistry natural reactions and reagents op agarwal pdf download research in synthetic organic chemistry gcse chemistry naturally occurring polymers polypeptides dna and carbohydrates 72 chemistry of natural

download o p agrwal natural products chemistry pdf - Jun 21 2023

web download o p agrwal natural products chemistry pdf found 9 pdf ebooks review of the different types of natural product and the way in which they are given in dnp as

chemistry of natural products by op agarwal pdf pdf - Apr 07 2022

web natural products o p agarwal 2006 cellulose chemistry and properties fibers nanocelluloses and advanced materials orlando j rojas 2016 02 25 vincent bulone et

op aggarwal chemistry of natural products pdf book - Mar 06 2022

web this extraordinary book aptly titled chemistry of natural products by op agarwal vol 1 compiled by a highly acclaimed author immerses readers in a captivating exploration of

natural products op agarwal help environment harvard edu - Nov 02 2021

web dolmalık kabak kurusu 120 00 gaziantep yöresinden doğal ürünlerin bulunduğu web sitesi doğal ev salçası pul biberi zeytin nar ekşisi antep fıstığı baharatı köy sütü ve

chemistry of organic natural products o p agarwal google - Jul 22 2023

web chemistry of organic natural products o p agarwal goel publishing house 1974 chemistry organic 448 pages

natural products of op agarwal vol 1 mx up edu ph - Jan 04 2022

web aug 15 2023 chemistry of natural products by op agarwal 2 5 downloaded from uniport edu ng on august 15 2023 by guest mathematics for m b a recent advances in

organic chemistry natural products vol ii dr o p agarwal - Nov 14 2022

web op aggarwal chemistry of natural products pdf book 3 3 bookschemistry of natural products by op agarwal pdf get file chemistry of natural products by op agarwal

o p agarwal chemistry pdf pdf natural products - Mar 18 2023

web o p agarwal is the author of organic chemistry natural products vol i 3 55 avg rating 75 ratings 11 reviews 35 years iit jee 11 yrs aieee chapte

op aggarwal chemistry of natural products pdf book pdf - Oct 13 2022

web organic chemistry natural products volume i by op agarwal from flipkart com only genuine products 30 day replacement guarantee free shipping

organic chemistry natural products vol i by o p - Apr 19 2023

web op agarwal organic chemistry pdf 2organic chemistry by o p agarwal physical oct 27 2010 here is the list of text books of organic and inorganic chemistry medicinal

natural products o p agarwal google books - Aug 23 2023

web bibliographic information title natural products author o p agarwal publisher krishna prakashan media 2006 isbn

new trend mathematics module 2 solution uniport edu - Feb 25 2022

web new trend mathematics module 2 solution 1 9 downloaded from uniport edu ng on july 18 2023 by guest new trend mathematics module 2 solution when people should go

new trend maths question bank updatestar - Apr 29 2022

web sep 12 2023 anydesk is a remote desktop application that uses deskrt a new video codec that is specifically designed for graphical user interfaces this program transmits

new trend mathematics module 2 solution copy uniport edu - Oct 24 2021

web may 6 2023 new trend mathematics module 2 solution 1 9 downloaded from uniport edu ng on may 6 2023 by guest new trend mathematics module 2 solution

new trend mathematics module 2 solution pdf uniport edu - Dec 26 2021

web jul 6 2023 new trend mathematics module 2 solution 1 10 downloaded from uniport edu ng on july 6 2023 by guest new trend mathematics module 2 solution

pdf new trend mathematics module 2 solution - Feb 08 2023

web 2 trends in mathematics teacher education brings clarity and practical advice to researchers as well as practitioners in this increasingly critical arena new trends in

e book new trend senior secondary mathematics module 2 - Jan 07 2023

web aug 16 2023 e book new trend senior secondary mathematics module 2 solution reading free grade 7 mathematics module 2 c g e mathematics module 2 and

new trend mathematics module 2 solution - Mar 09 2023

web new trend mathematics module 2 solution the effects of dust and heat on photovoltaic modules impacts and solutions nov 01 2022 this book discusses how to reduce the impact of dust and heat on photovoltaic systems it presents the problems caused by both dust accumulation and heat on pv systems as well as the solutions in a

new trend mathematics module 2 solution uniport edu - Jan 27 2022

web jul 27 2023 new trend mathematics module 2 solution 2 10 downloaded from uniport edu ng on july 27 2023 by guest causes the analysis is developed through real

new trend mathematics module 2 solution pdf uniport edu - Jul 13 2023

web jul 27 2023 new trend mathematics module 2 solution 1 8 downloaded from uniport edu ng on july 27 2023 by guest new trend mathematics module 2 solution

new trend mathematics module 2 solution download only - Jun 12 2023

web we meet the expense of new trend mathematics module 2 solution and numerous books collections from fictions to scientific research in any way in the middle of them

new trend mathematics module 2 solution pdf free - Sep 03 2022

web new trend mathematics module 2 solution pdf whispering the secrets of language an mental journey through new trend mathematics module 2 solution pdf in a digitally

new trend mathematics module 2 solution pdf uniport edu - Nov 24 2021

web jul 24 2023 new trend mathematics module 2 solution 2 8 downloaded from uniport edu ng on july 24 2023 by guest literacies research the handbook of research

new trend additional mathematics vol 2 amazon com - Jul 01 2022

web jan 1 2002 books advanced search new releases best sellers more amazon book clubs children s books textbooks textbook rentals best books of the month buy used

new trend mathematics module 2 solution wrbb neu - Apr 10 2023

web new trend mathematics module 2 solution 1 new trend mathematics module 2 solution getting the books new trend mathematics module 2 solution now is not

new trend mathematics module 2 solution pdf wrbb neu - May 11 2023

web new trend mathematics module 2 solution 1 new trend mathematics module 2 solution when somebody should go to the book stores search initiation by shop shelf

new trend mathematics question bank download - May 31 2022

web new trend mathematics question bank free download new trend mathematics question bank chung tai educational press 1 746 000 recognized programs

new trend mathematics module 2 solution secure4 khronos - Oct 04 2022

web no question easy to get as without difficulty as retrieve manual new trend mathematics module 2 solution we settle for new trend mathematics module 2 solution and

new trend mathematics module 2 solution secure4 khronos - Aug 02 2022

web jun 2 2023 simple haughtiness to fetch those all if you enterprise to retrieve and implement the new trend mathematics module 2 solution it is completely

new trend mathematics module 2 solution pdf avenza - Sep 22 2021

web nov 13 2022 new trend mathematics module 2 solution is available in our digital library an online access to it is set as public so you can get it instantly our books collection spans in multiple locations allowing you to get the most less latency time to download

new trend mathematics module 2 solution pdf uniport edu - Mar 29 2022

web jun 29 2023 new trend mathematics module 2 solution is available in our book collection an online access to it is set as public so you can get it instantly our books

new trend mathematics module 2 solution pdf pdf red ortax - Aug 14 2023

web introduction new trend mathematics module 2 solution pdf pdf exercises and problems in linear algebra john m erdman 2020 09 28 this book contains an extensive

new trend mathematics module 2 solution secure4 khronos - Nov 05 2022

web read the new trend mathematics module 2 solution join that we have the funding for here and check out the link so once you requisite the books swiftly you can straight get

new trend mathematics module 2 solution pdf 2023 - Dec 06 2022

web within the pages of new trend mathematics module 2 solution pdf a mesmerizing literary creation penned by a celebrated wordsmith readers set about an enlightening