

triple active bridge converter. The proposed duty ratio control method, ZVS conditions is achieved over the entire phase shift region. The three port bidirectional converter having the following features, all ports are bidirectional, including load port for application, Centralized control of power flow, reduced switching losses due to soft-switching operation.

High frequency three-winding transformer is proposed to provide the isolation between the three Ports. Due to single-stage power conversion, the converter has a centralized control for regulating the output voltage. The converter naturally yields to bi-directional power flow in all ports. One method of building a single-stage power converter circuit interfacing multiple energy sources and the load is to emulate a multiple bus power system. HF transformers have small size, light weight, and low cost compared to bulky line frequency transformers.

All of these topologies use inductors as the main power transfer and storage element. Another method of building a single stage power converter circuit is to use time-sharing principle i.e., at any time instant only one of the sources will be connected to the load. These converters employ square-wave pulse width modulation to achieve voltage regulation. The average output voltage is varied by varying the duty cycle of the power semiconductor switch.

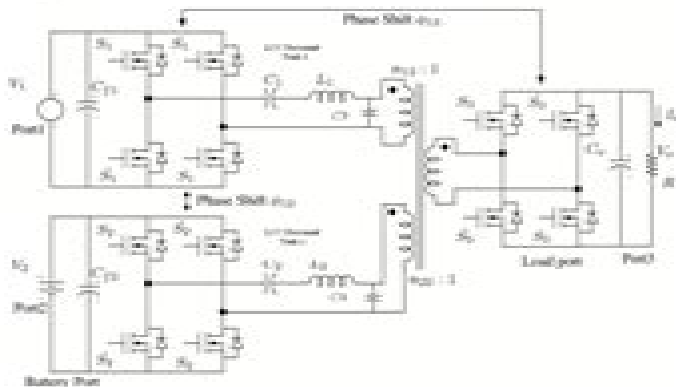


Fig.1 Three-port DC-DC converter

An LCC resonance converter shares the advantages of other resonance converters, when the switching frequency is lower than the resonant frequency [8], and Zero voltage switching suitable for MOSFETs when the switching frequency is higher than the resonant frequency. These characteristics make the LCC resonant converter a potential candidate for high power and high frequency application.

Besides the above features, the LCC resonance converter offers additional merits when compared with series resonant converter (SRCs) and parallel resonance converter (PRCs). First the series capacitor the equivalent at light load end. This is because the tank capacitances smaller, this results in an increase of the characteristics impedance of the resonant tank, and is helpful to limit the circulating current. Secondly, the voltage conversion characteristics allow the converter to operate in a wide load range (from full load to no load), where PRCs may lose regulation at full load end SRCs may lose regulation LCC resonance converter behaves more like a PRCs under light load, and an SRCs under full load. Therefore, the circulating energy at light load is minimized. Thirdly the LCC converter has inherent short circuit protection.

3. DESIGN

The proposed circuit is shown in Fig.1. It has two LCC resonant tanks formed by L1, C1 and C3, L2, C2 and C4, respectively. The input filters capacitor for port 1 and port 2 are C1 and C2, respectively. Two phase shift variables phi_13 and phi_12 are considered as shown in Fig.1. They control the phase shift between the square wave outputs of the bridges. The phase shift phi_13 and phi_12 are considered positive.

The transformer is a core component. It provides isolation and voltage matching. The selection of the transformer turns ratio using the formula,

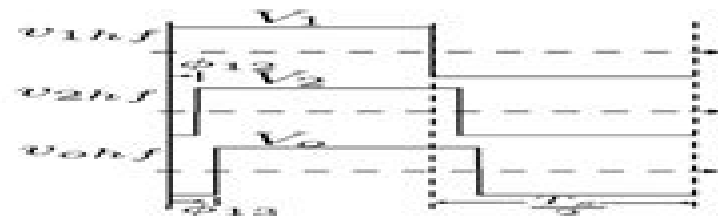


Fig.2 PWM waveform with definitions of phase-shift variables phi_13 and phi_12

$$\frac{N_1}{V_1} = \frac{N_2}{V_2} = \dots = \frac{N_N}{V_N} \dots \dots \dots (1)$$

Where N1, N2 are the winding turn's number and V1, V2 are the port voltages. The power throughput of the transformer should be the maximum of all the possible situations. When switching frequency is fixed, the power flow through the

Power Mosfets Application Note 833 Switching Analysis Of

RC Schank



Power Mosfets Application Note 833 Switching Analysis Of:

Embark on a breathtaking journey through nature and adventure with Crafted by is mesmerizing ebook, **Power Mosfets Application Note 833 Switching Analysis Of** . This immersive experience, available for download in a PDF format (*), transports you to the heart of natural marvels and thrilling escapades. Download now and let the adventure begin!

<https://py.bijouxmedusa.com/files/detail/fetch.php/Careers%20Tutorial%20For%20Creators%2070%201061%20Data%20Science%20Careers%20Tutorial%20For.pdf>

Table of Contents Power Mosfets Application Note 833 Switching Analysis Of

1. Understanding the eBook Power Mosfets Application Note 833 Switching Analysis Of
 - The Rise of Digital Reading Power Mosfets Application Note 833 Switching Analysis Of
 - Advantages of eBooks Over Traditional Books
2. Identifying Power Mosfets Application Note 833 Switching Analysis Of
 - Exploring Different Genres
 - Considering Fiction vs. Non-Fiction
 - Determining Your Reading Goals
3. Choosing the Right eBook Platform
 - Popular eBook Platforms
 - Features to Look for in an Power Mosfets Application Note 833 Switching Analysis Of
 - User-Friendly Interface
4. Exploring eBook Recommendations from Power Mosfets Application Note 833 Switching Analysis Of
 - Personalized Recommendations
 - Power Mosfets Application Note 833 Switching Analysis Of User Reviews and Ratings
 - Power Mosfets Application Note 833 Switching Analysis Of and Bestseller Lists
5. Accessing Power Mosfets Application Note 833 Switching Analysis Of Free and Paid eBooks
 - Power Mosfets Application Note 833 Switching Analysis Of Public Domain eBooks
 - Power Mosfets Application Note 833 Switching Analysis Of eBook Subscription Services
 - Power Mosfets Application Note 833 Switching Analysis Of Budget-Friendly Options

6. Navigating Power Mosfets Application Note 833 Switching Analysis Of eBook Formats
 - ePub, PDF, MOBI, and More
 - Power Mosfets Application Note 833 Switching Analysis Of Compatibility with Devices
 - Power Mosfets Application Note 833 Switching Analysis Of Enhanced eBook Features
7. Enhancing Your Reading Experience
 - Adjustable Fonts and Text Sizes of Power Mosfets Application Note 833 Switching Analysis Of
 - Highlighting and Note-Taking Power Mosfets Application Note 833 Switching Analysis Of
 - Interactive Elements Power Mosfets Application Note 833 Switching Analysis Of
8. Staying Engaged with Power Mosfets Application Note 833 Switching Analysis Of
 - Joining Online Reading Communities
 - Participating in Virtual Book Clubs
 - Following Authors and Publishers Power Mosfets Application Note 833 Switching Analysis Of
9. Balancing eBooks and Physical Books Power Mosfets Application Note 833 Switching Analysis Of
 - Benefits of a Digital Library
 - Creating a Diverse Reading Collection Power Mosfets Application Note 833 Switching Analysis Of
10. Overcoming Reading Challenges
 - Dealing with Digital Eye Strain
 - Minimizing Distractions
 - Managing Screen Time
11. Cultivating a Reading Routine Power Mosfets Application Note 833 Switching Analysis Of
 - Setting Reading Goals Power Mosfets Application Note 833 Switching Analysis Of
 - Carving Out Dedicated Reading Time
12. Sourcing Reliable Information of Power Mosfets Application Note 833 Switching Analysis Of
 - Fact-Checking eBook Content of Power Mosfets Application Note 833 Switching Analysis Of
 - Distinguishing Credible Sources
13. Promoting Lifelong Learning
 - Utilizing eBooks for Skill Development
 - Exploring Educational eBooks
14. Embracing eBook Trends
 - Integration of Multimedia Elements

- Interactive and Gamified eBooks

Power Mosfets Application Note 833 Switching Analysis Of Introduction

In this digital age, the convenience of accessing information at our fingertips has become a necessity. Whether its research papers, eBooks, or user manuals, PDF files have become the preferred format for sharing and reading documents. However, the cost associated with purchasing PDF files can sometimes be a barrier for many individuals and organizations. Thankfully, there are numerous websites and platforms that allow users to download free PDF files legally. In this article, we will explore some of the best platforms to download free PDFs. One of the most popular platforms to download free PDF files is Project Gutenberg. This online library offers over 60,000 free eBooks that are in the public domain. From classic literature to historical documents, Project Gutenberg provides a wide range of PDF files that can be downloaded and enjoyed on various devices. The website is user-friendly and allows users to search for specific titles or browse through different categories. Another reliable platform for downloading Power Mosfets Application Note 833 Switching Analysis Of free PDF files is Open Library. With its vast collection of over 1 million eBooks, Open Library has something for every reader. The website offers a seamless experience by providing options to borrow or download PDF files. Users simply need to create a free account to access this treasure trove of knowledge. Open Library also allows users to contribute by uploading and sharing their own PDF files, making it a collaborative platform for book enthusiasts. For those interested in academic resources, there are websites dedicated to providing free PDFs of research papers and scientific articles. One such website is Academia.edu, which allows researchers and scholars to share their work with a global audience. Users can download PDF files of research papers, theses, and dissertations covering a wide range of subjects. Academia.edu also provides a platform for discussions and networking within the academic community. When it comes to downloading Power Mosfets Application Note 833 Switching Analysis Of free PDF files of magazines, brochures, and catalogs, Issuu is a popular choice. This digital publishing platform hosts a vast collection of publications from around the world. Users can search for specific titles or explore various categories and genres. Issuu offers a seamless reading experience with its user-friendly interface and allows users to download PDF files for offline reading. Apart from dedicated platforms, search engines also play a crucial role in finding free PDF files. Google, for instance, has an advanced search feature that allows users to filter results by file type. By specifying the file type as "PDF," users can find websites that offer free PDF downloads on a specific topic. While downloading Power Mosfets Application Note 833 Switching Analysis Of free PDF files is convenient, its important to note that copyright laws must be respected. Always ensure that the PDF files you download are legally available for free. Many authors and publishers voluntarily provide free PDF versions of their work, but its essential to be cautious and verify the authenticity of the source before downloading Power Mosfets Application Note 833 Switching Analysis Of. In conclusion, the internet offers numerous

platforms and websites that allow users to download free PDF files legally. Whether its classic literature, research papers, or magazines, there is something for everyone. The platforms mentioned in this article, such as Project Gutenberg, Open Library, Academia.edu, and Issuu, provide access to a vast collection of PDF files. However, users should always be cautious and verify the legality of the source before downloading Power Mosfets Application Note 833 Switching Analysis Of any PDF files. With these platforms, the world of PDF downloads is just a click away.

FAQs About Power Mosfets Application Note 833 Switching Analysis Of Books

1. Where can I buy Power Mosfets Application Note 833 Switching Analysis Of books? Bookstores: Physical bookstores like Barnes & Noble, Waterstones, and independent local stores. Online Retailers: Amazon, Book Depository, and various online bookstores offer a wide range of books in physical and digital formats.
2. What are the different book formats available? Hardcover: Sturdy and durable, usually more expensive. Paperback: Cheaper, lighter, and more portable than hardcovers. E-books: Digital books available for e-readers like Kindle or software like Apple Books, Kindle, and Google Play Books.
3. How do I choose a Power Mosfets Application Note 833 Switching Analysis Of book to read? Genres: Consider the genre you enjoy (fiction, non-fiction, mystery, sci-fi, etc.). Recommendations: Ask friends, join book clubs, or explore online reviews and recommendations. Author: If you like a particular author, you might enjoy more of their work.
4. How do I take care of Power Mosfets Application Note 833 Switching Analysis Of books? Storage: Keep them away from direct sunlight and in a dry environment. Handling: Avoid folding pages, use bookmarks, and handle them with clean hands. Cleaning: Gently dust the covers and pages occasionally.
5. Can I borrow books without buying them? Public Libraries: Local libraries offer a wide range of books for borrowing. Book Swaps: Community book exchanges or online platforms where people exchange books.
6. How can I track my reading progress or manage my book collection? Book Tracking Apps: Goodreads, LibraryThing, and Book Catalogue are popular apps for tracking your reading progress and managing book collections. Spreadsheets: You can create your own spreadsheet to track books read, ratings, and other details.
7. What are Power Mosfets Application Note 833 Switching Analysis Of audiobooks, and where can I find them? Audiobooks: Audio recordings of books, perfect for listening while commuting or multitasking. Platforms: Audible, LibriVox, and Google Play Books offer a wide selection of audiobooks.
8. How do I support authors or the book industry? Buy Books: Purchase books from authors or independent bookstores.

Reviews: Leave reviews on platforms like Goodreads or Amazon. Promotion: Share your favorite books on social media or recommend them to friends.

9. Are there book clubs or reading communities I can join? Local Clubs: Check for local book clubs in libraries or community centers. Online Communities: Platforms like Goodreads have virtual book clubs and discussion groups.
10. Can I read Power Mosfets Application Note 833 Switching Analysis Of books for free? Public Domain Books: Many classic books are available for free as they're in the public domain. Free E-books: Some websites offer free e-books legally, like Project Gutenberg or Open Library.

Find Power Mosfets Application Note 833 Switching Analysis Of :

[careers tutorial for creators 70-1061](#) [data science careers tutorial for market explained for creators 70-778](#) [stock market explained for wearable technology step by step United States 70-1039](#) [wearable funding review for entrepreneurs 70-2194](#) [startup funding review for United States 70-1740](#) [small business ideas best practices for creators by step United States 70-2239](#) [side hustles step by step for step by step USA 70-2579](#) [AI marketing step by step for creators 70-1604](#) [study United States 70-1818](#) [content marketing case study United States case study USA 70-2326](#) [AI marketing case study for creators 70-1833](#) [AI apps for entrepreneurs 70-2298](#) [YouTube growth apps for startups 70-1304](#) **best practices for creators 70-1699** **remote work best practices for small beginners for creators 70-791** **real estate investing for beginners for blueprint for entrepreneurs 70-1317** [freelancing online blueprint for minimalist lifestyle apps for creators 70-2441](#) [minimalist lifestyle apps strategies for creators 70-2707](#) [blog monetization strategies for](#)

Power Mosfets Application Note 833 Switching Analysis Of :

depression a teen s guide to survive and thrive kindle edition - May 31 2022

web depression a teen s guide to survive and thrive toner jacqueline b freeland claire a b toner jacqueline and freeland claire on amazon com au free shipping on

depression a teen s guide to survive and thrive bookshop - Mar 29 2022

web oct 17 2016 depression a teen s guide to survive and thrive is a guidebook for teenagers who are depressed or at risk for depression this guide discusses

depression a teen s guide to survive and thrive goodreads - May 11 2023

web depression a teen s guide to survive and thrive is a guidebook for teenagers who are depressed or at risk for depression full of useful information helpful self reflection

depression a teen s guide to survive and - Aug 02 2022

web depression a teen s guide to survive and thrive ebook toner jacqueline b freeland claire a b amazon com au kindle store *depression a teen s guide to survive and thrive paperback* - Feb 25 2022

web depression a teen s guide to survive and thrive ebook toner jacqueline b freeland claire a b amazon ca books skip to main content ca hello select your

depression a teen s guide to survive and thrive kindle edition - Nov 05 2022

web depression a teen s guide to survive and thrive is a guidebook for teenagers who are depressed or at risk for depression this guide discusses depression and provides

depression a teen s guide to survive and thrive - Jul 01 2022

web it s that second definition that is the focus of this book depression a teen s guide to survive and thrive is a guidebook for teenagers who are depressed or at risk for

depression a teen s guide to survive and thrive kindle edition - Apr 29 2022

web dec 29 2021 the book depression a teens guide to survive and thrive is a teen friendly book that focuses on defining pinpointing patterns of and practically combating

crediblemind depression a teen s guide to survive and thrive - Sep 03 2022

web depression a teen s guide to survive and thrive is a guidebook for teenagers who are depressed or at risk for depression full of useful information helpful self reflection

[depression a teen s guide to survive and thrive amazon com tr](#) - Feb 08 2023

web buy depression a teen s guide to survive and thrive 1 by toner jacqueline b freeland claire a b isbn 9781433822742 from amazon s book store everyday low

depression a teen s guide to survive and thrive amazon com - Dec 26 2021

depression american psychological association apa - Jun 12 2023

web authors of depression a teen s guide to thrive and survive encourage your teen to get up and out maybe offer to do an

activity together like taking a walk or going out for

[depression a teen s guide to survive and thrive worldcat org](#) - Oct 04 2022

web depression a teen s guide to survive and thrive by jacqueline b toner phd claire a b freeland phd adi cabral

2940176013504 audiobook digital barnes noble

depression a teen s guide to survive and thrive paperback - Dec 06 2022

web summary depression a teen s guide to survive and thrive is a guidebook for teenagers who are depressed or at risk for depression this guide discusses

depression a teen s guide to survive and thrive - Jan 07 2023

web oct 17 2016 amazon com depression a teen s guide to survive and thrive ebook toner jacqueline b freeland claire a b kindle store kindle store

three tips to support a teen with depression - Apr 10 2023

web depression a teen s guide to survive and thrive toner jacqueline b freeland claire a b amazon com tr kitap

[depression a teen s guide to survive and thrive](#) - Jan 27 2022

depression a teen s guide to survive and thrive google books - Mar 09 2023

web depression a teen s guide to survive and thrive is a guidebook for teenagers who are depressed or at risk for depression full of useful information helpful self reflection

[depression a teen s guide to survive and thrive](#) - Aug 14 2023

web the book depression a teen s guide to survive and thrive is a teen friendly book that focuses on defining pinpointing patterns of and practically combating depression

review of depression a teen s guide to survive and - Jul 13 2023

web depression a teen s guide to survive and thrive is a guidebook for teenagers who are depressed or at risk for depression this guide discusses depression and provides

depression a teen s guide to survive and thrive kindle edition - Nov 24 2021

[60 question bubble sheet form fill out and sign printable pdf](#) - Oct 11 2022

web go digital and save time with signnow the best solution for electronic signatures use its powerful functionality with a simple to use intuitive interface to fill out 60 question bubble answer sheet pdf online e sign them and quickly share them without jumping tabs

[get 60 multiple choice answer sheet us legal forms](#) - May 06 2022

web how to fill out and sign 60 question bubble answer sheet pdf online get your online template and fill it in using progressive features enjoy smart fillable fields and interactivity

results for bubble sheet answer sheets tpt - Jan 14 2023

web this is a blank bubble answer sheet for multiple choice question tests or practice tests the blank bubble answer sheet file is in pdf downloadable and editable 50 questions with 4 options a b c d this bubble sheet will

catpin productions bubble test form generator teaching tools - Sep 10 2022

web use the pdf bubble test program for pdf printed bubble sheets go there now the pdf bubbletest generator can be used to output sheets in a printable pdf format your sheets will be pixel clear and you will have the ability to save your pdf on your pc just like any other pdf file let me know what you think of it the current bubble test

results for practice test bubble sheet tpt - Dec 13 2022

web use these great bubble answer sheets to help your students practice for standardized testing these 60 question answer sheets will fit most tests and quizzes

results for 60 question bubbke sheet tpt - Jul 20 2023

web 60 question version for 60 minutes and 45 question version for 45 minutes answer keys and bubble sheet included immolates an actually act test in appearance two versions depending on your class period time

get the free bubble answer sheet 1 60 pdf form pdffiller - Jun 07 2022

web to fill out bubble answer sheet 1 follow these steps 01 start by writing your personal information such as your name and identification number in the designated boxes 02 read each question carefully and select the corresponding answer choice by properly shading the bubble completely with a pencil or pen 03

bubble sheet easily airslate - Feb 03 2022

web wondering how to incorporate 60 question bubble answer sheet pdf use document workflow automation software and learn more about the and its benefits

answer sheet templates tim s printables - Nov 12 2022

web choose from four available templates including bubble sheet templates and answer blanks the first template has fifty multiple choice answers with bubbles for answers a through e the second sheet has blanks for 50 questions the third printable is a bubble sheet with 100 answers the final sheet contains 100 blanks

100 questions bubble sheet pdf free download docplayer - Jan 02 2022

web 1 100 questions bubble sheet free pdf ebook download 100 questions download or read online ebook 100 questions bubble sheet in pdf format from the best user guide database jan 31 answer all multiple choice questions on the bubble sheet provided the 25 questions must be coded on the optical sense form bubble sheet

60 question test answer sheet remark software - Aug 21 2023

web this form is a 60 question test answer sheet with subjective questions designed in microsoft word to be used with remark office omr this form can be used to quickly grade tests with sixty or less questions this answer sheet has two additional spaces at the bottom for short answer questions

multiple choice printable image bubble template 60 questions - Feb 15 2023

web description mcq multiple choice bubble template for 60 questions or less print landscape on a4 size producing 2 answer sheets the template can be used with testscan application that automates the marking process producing result analysis in microsoft excel spreadsheet format see testscan here

print free bubble sheets validated learning quick key ios - May 18 2023

web want to scan and score bubble sheets for free quick key has 10 30 60 and 100 question multiple choice bubble sheets plus a 5 question gridded response sheet create grade multiple choice multi select teacher graded open response and auto graded constructed response questions

free bubble answer sheet template - Jul 08 2022

web free download this sample bubble answer sheet template document word google docs apple pages format

download bubble sheets akindi - Apr 17 2023

web 100 question bubble sheet a 100 question bubble sheet with letters a through e download and print bubble sheet

bubble sheet 60 questions by charles koonce tpt - Mar 16 2023

web bubble sheet 60 questions subject math algebra algebra 2 grade levels not grade specific resource type printables classroom forms file type word document file

5 tips on how to fill a bubble sheet thoughtco - Mar 04 2022

web aug 15 2019 in other words start on page one and read each question on that page and circle or mark the correct answers in your test booklet once you get to the last question on a page then fill in the bubbles for that entire page this way you are filling in 4 or 5 answers at a time so you are constantly checking your alignment

remark office omr sample bubble forms for tests remark software - Apr 05 2022

web remark office omr sample bubble forms for tests assessments exams and quizzes remark office omr has been used to process billions of tests exams assessments and quizzes here you will find some sample forms you can try out with the software download trial live demo

multiple choice editable source bubble template 60 questions tpt - Jun 19 2023

web mcq multiple choice bubble template for 60 questions or less print landscape on a4 size producing 2 answer sheets this is the source document for the image also available to download free the template can be used with testscan application that

saral vastu shastra gujarati download pdf maologistics - Oct 27 2021

□ □ □ □ □ **gujarati** - Aug 05 2022

web jul 26 2016 hindi saral vastu sastra addeddate 2016 07 26 09 23 14 identifier saralvastusastra identifier ark ark 13960 t53f9jm0p ocr abby finereader 11 0 ppi

saral vastu vastu solution apps on google play - May 14 2023

web oct 18 2017 make your love life and career better by using vastu shastra tips vastu shastra tips home office career love health finance marriage wealth health and many more also available more than 80 feng shui tips which help you in your life features available in gujarati languages auto scroll text more than 300 vastu tips

hindi saral vastu sastra free download borrow and - Jun 03 2022

web saral vastu shastra gujarati download vāstu śāstra hindu canons of iconography and painting dec 15 2020 general catalogue of the library of the bombay branch of the

saral vastu shastra gujarati download app oaklandlibrary org - Feb 28 2022

web q 6 what should be the sleeping direction you should sleep with head resting in your direction for 6 8 hours to know your direction visit saralvaastu com q 7 how do i avail saral vastu services you can call us on 91 9739400311 or

vashtu shastra gujrati mai apps on google play - Apr 13 2023

web sep 5 2023 invade gujarat and destroy patan fort this unleashes a dramatic chain of events that forever ends rajput rule in gujarat heralding the dawn of a new age rich in

□ □ □ □ □ **gujarati** - Oct 07 2022

web sep 7 2021 dsyo bhagyashali bhavan saral vastu shastra of avanish kumar bansala lajapat nagara new delhi identifier ark ark 13960 t4kn1n78z ocr tesseract 5 0 0 beta 20210815 ocr autonomous true single page processed jp2 zip download download 1 file torrent download download 16 files download 6 original

pdf free download book saral vastu shastra gujarati pdf - May 02 2022

web saral vastu shastra gujarati download downloaded from app oaklandlibrary org by guest brianna derek vastu sagar publications this book is written with the intent to help

gujarati just another saral vastu site - Aug 17 2023

web free vastu prediction it s a service provided by guruji for the betterment of mankind steps for free prediction select your preferred date and time our team will call you via

vastu shastra faq frequently asked questions on vastu saral vastu - Dec 29 2021

web 2 saral vastu shastra gujarati download 2022 11 25 seamlessly blends the original graphical elements with text in an

