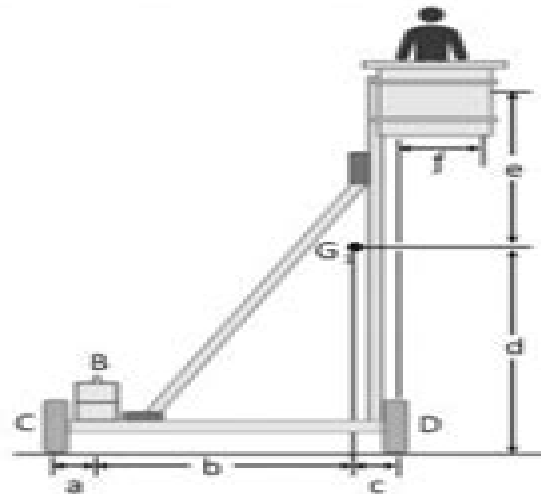


1. The platform assembly shown in the figure has a weight $W_1 = 1\text{kN}$ and center of gravity at G_1 . If it is intended to support a maximum load $W_2 = 1.6\text{kN}$ a placed at point G_2 . Determine the smallest counterweight W that should be placed at B in order to prevent the platform from tipping over. Take $a = 0.5\text{m}$, $b = 3\text{m}$, $c = 0.5\text{m}$, $d = 4\text{m}$, $e = 3\text{m}$ and $f = 1\text{m}$



- A. $W = 159\text{ N}$ upwards
 B. $W = 653\text{ N}$ upwards
 C. $W = 357\text{ N}$ downwards
 D. $W = 314\text{ N}$ downwards
 E. $W = 592\text{ N}$ downwards

Solution

The correct answer is **D**.

The platform assembly shown in the figure has a weight $W_1 = 1\text{kN}$ and center of gravity at G_1 . If it is intended to support a maximum load $W_2 = 1.6\text{kN}$ a placed at point G_2 , determine the smallest counterweight W that should be placed at B in order to prevent the platform from tipping over.

Take $a = 0.5\text{m}$, $b = 3\text{m}$, $c = 0.5\text{m}$, $d = 4\text{m}$, $e = 3\text{m}$ and $f = 1\text{m}$

Fe Engineering Exam Examples

JS Bruner



Fe Engineering Exam Examples:

FE/EIT Sample Examinations Michael R. Lindeburg, 1999 Designed to prepare you for the FE exam FE EIT Sample Examinations simulates the actual FE exam in every aspect from the format and level of difficulty to the number of problems and the distribution of problems across exam topics The most realistic practice for the FE exam 2 complete sample exams 120 morning and 60 general afternoon problems on each exam Multiple choice format just like the exam with solutions Increase your comfort level of solving problems in SI units Mentally prepare for the pressure of working under timed conditions Fundamentals of Engineering Examination Review 2001-2002 Edition Donald G. Newnan, 2004 Perfect for anyone students or engineers preparing for the FE exam Endorsed by a former Director of Exams from the NCEES Describes exam structure exam day strategies exam scoring and passing rate statistics All problems in SI units in line with the new exam format Covers all the topics on the FE exam carefully matching exam structure Mathematics Statics Dynamics Mechanics of Materials Fluid Mechanics Thermodynamics Electrical Circuits Materials Engineering Chemistry Computers Ethics and Engineering Economy Each chapter is written by an expert in the field contains a thorough review of the topic as covered on the test and ends with practice problems and detailed solutions Includes a complete eight hour sample exam with 120 morning AM questions 60 general afternoon PM questions and complete step by step solutions to all problems 918 problems total 60% text 40% problems and solutions **The Best Test Preparation & Review Course FE/EIT**

Fundamentals of Engineering/engineering-in-training John Presti, George Wetzel, James Colaizzi, 1999 This test prep book includes two full length practice tests with explanations for every answer Detailed review chapters provide sample problems and solutions as well as an overview of the test subjects Designed to assess students knowledge of engineering subjects ranging from chemistry to thermodynamics A thorough preparation for students taking the FE PM General exam

PPI FE Review Manual: Rapid Preparation for the Fundamentals of Engineering Exam, 3rd Edition eText - 1 Year Michael R. Lindeburg, 2010-10-21 Michael R Lindeburg PE s FE Review Manual 3rd Edition FE Review Manual offers a complete review for the FE exam This book is part of a comprehensive learning management system designed to help you pass the FE exam the first time This book includes equations figures and tables from the NCEES FE Reference Handbook to familiarize you with the reference you ll have on exam day 13 diagnostic exams to assess your grasp of knowledge areas covered in each chapter concise explanations supported by exam like example problems with step by step solutions to reinforce the theory and application of fundamental concepts access to a fully customizable study schedule to keep your studies on track a robust index with thousands of terms to facilitate referencing Topics Covered Computational Tools Dynamics Kinematics and Vibrations Electricity and Magnetism Engineering Economics Ethics and Professional Practice Fluid Mechanics Heat Transfer Material Properties and Processing Mathematics Materials Measurement Instrumentation and Controls Mechanical Design and Analysis Mechanics of Materials Probability and Statistics Statics Thermodynamics

EIT Industrial Review Donovan Young,2003-09-18 This guide is written for the afternoon FE EIT Industrial Exam and reviews each topic with numerous example problems and complete step by step solutions End of chapter problems with solutions and a complete sample exam with solutions are provided Topics covered Production Planning and Scheduling Engineering Economics Engineering Statistics Statistical Quality Control Manufacturing Processes Mathematical Optimization and Modeling Simulation Facility Design and Location Work Performance and Methods Manufacturing Systems Design Industrial Ergonomics Industrial Cost Analysis Material Handling System Design Total Quality Management Computer Computations and Modeling Queuing Theory and Modeling Design of Industrial Experiments Industrial Management Information System Design Productivity Measurement and Management 101 problems with complete solutions SI Units

Fe Exam Flashcard Study System ,2010 **The Best Test Preparation & Review Course FE/EIT Fundamentals of Engineering/engineer-in-training** Clyde Granger,Michael Riordan,James Colaizzi,2000 This thorough study guide provides comprehensive review material and practice questions specific to chemical engineering Two full length practice tests are designed to prepare students for the FE PM exam in chemical engineering Detailed explanations to every question are included Topics covered include heat transfer chemical thermodynamics and more Study Guide.

Fundamentals of Engineering Economics Chan S. Park,2004 Includes more than 200 completely worked out solutions and sample FE exam test questions The Best Test Preparation for the Fundamentals of Engineering Examination Research and Education Association,1991 **Industrial Discipline-specific Review for the FE/EIT Exam** ,1998 The FE exam the first in the two part engineering licensing process is taken typically by upper level students or recent graduates in April or October This eight hour exam is closed book except for a handout provided in the examination room The exam is divided into morning and afternoon sessions The morning exam with 120 multiple choice problems is the same for everyone In the afternoon examinees must choose to take a discipline specific DS or a general exam each with 60 multiple choice problems The Discipline Specific Reviews are used to study for the afternoon DS exams **Fundamentals of Engineering** Merle C. Potter,1999 Fe Exam Secrets Study Guide Fe Exam Secrets Test Prep Team,2015-02-25 FTCE Agriculture 6 12 Flashcard Study System uses repetitive methods of study to teach you how to break apart and quickly solve difficult test questions on the Florida Teacher Certification Examinations Study after study has shown that spaced repetition is the most effective form of learning and nothing beats flashcards when it comes to making repetitive learning fun and fast Our flashcards enable you to study small digestible bits of information that are easy to learn and give you exposure to the different question types and concepts FTCE Agriculture 6 12 Flashcard Study System covers all of the most important topics that you ll need to know to be successful on test day Fundamentals of Engineering ,2005 **Contemporary Engineering Economics** Chan S. Park,2011 Contemporary Engineering Economics 5 e is intended for undergraduate engineering students taking introductory engineering economics while appealing to the full range of engineering disciplines for which this course is often required

industrial civil mechanical electrical computer aerospace chemical and manufacturing engineering as well as engineering technology This edition has been thoroughly revised and updated while continuing to adopt a contemporary approach to the subject and teaching of engineering economics This text aims not only to build a sound and comprehensive coverage of engineering economics but also to address key educational challenges such as student difficulty in developing the analytical skills required to make informed financial decisions

Fundamentals of Engineering FE Civil All-in-One Exam Guide
Indranil Goswami,2018-03-23 This highly effective study guide offers 100% coverage of every subject on the FE Civil exam This self study resource contains all of the information you need to prepare for and pass the challenging FE Civil exam on the first try The book features clear explanations of every topic on the exam as well as hands on exam strategies and accurate practice problems with fully worked solutions Organized to follow the order of the official exam syllabus the book includes references to the official FE Reference Handbook along with tips on how to utilize that resource during the exam itself Written by a leading civil engineering educator and exam coach Fundamentals of Engineering FE Civil All in One Exam Guide helps you pass the exam with ease Contains complete coverage of all objectives for the FE Civil exam Follows the exact order of the official exam syllabus Written by an experienced educator and researcher

Fundamentals of Engineering Supplied-reference Handbook National Council of Examiners for Engineering and Surveying,2008

Engineering Economy Leland T. Blank,Anthony Tarquin,2005 Distinguishing pedagogical characteristics of this market leading text include its easy to read writing style chapter objectives worked examples integrated spreadsheets case studies Fundamentals of Engineering FE exam questions and numerous new end of chapter problems Graphical cross referencing is indicated so users are able to locate additional material on any one subject in the text Quick solve Q Solv and Excel solve E Solve icons found in the text indicate the difficulty of a problem example or spreadsheet pub desc

FE Exam Review Myron E. Sveum,2006 Many examinees find the electrical and computer engineering sections of the general FE exam to be most the most challenging Now you can get the extra review and practice you need to meet this challenge through a concise review of the electrical and computer topics covered on the general morning and afternoon FE exams Supplement your electrical and computer engineering knowledge Over 100 multiple choice problems with solutions just like the exam Over 150 solved example problems Over 225 key charts graphs tables and figures Improve your confidence and problem solving skills

Since 1975 more than 2 million people preparing for their engineering surveying architecture LEED interior design and landscape architecture exams have entrusted their exam prep to PPI For more information visit us at www.ppi2pass.com

Ppi Fe Civil Exams--Five Full Practice Exams with Step-By-Step Solutions Mohammad Iqbal,Ali Iqbal,2021-03-22 The new FE Civil Exams book includes five full practice exams containing 550 problems designed to reinforce your understanding of civil engineering concepts and equations found in the NCEES FE Reference Handbook Solutions are provided for all problems so you can review problem solving methods Also included is a detailed appendix to

help you find each solution's related equations and engineering concepts in the NCEES Handbook Features Include Provides
five 110 question practice exams A mix of multiple choice questions and alternative item types AITs to give you realistic exam
practice Problems are designed to be solved in three minutes or less to demonstrate the format and difficulty of the exam
Topics Covered Mathematics and Statistics Ethics and Professional Practice Engineering Economics Statics Dynamics
Mechanics of Materials Materials Fluid Mechanics Surveying Water Resources and Environmental Engineering Structural
Engineering Geotechnical Engineering Transportation Engineering Construction Engineering **Study Guide for**
Professional Registration of Mining/minerals Engineers ,1984

Fe Engineering Exam Examples Book Review: Unveiling the Magic of Language

In an electronic era where connections and knowledge reign supreme, the enchanting power of language has become more apparent than ever. Its power to stir emotions, provoke thought, and instigate transformation is actually remarkable. This extraordinary book, aptly titled "**Fe Engineering Exam Examples**," published by a very acclaimed author, immerses readers in a captivating exploration of the significance of language and its profound effect on our existence. Throughout this critique, we will delve into the book's central themes, evaluate its unique writing style, and assess its overall influence on its readership.

https://py.bijouxmedusa.com/results/Resources/Documents/nuclear_reactor_engineering_glasstone.pdf

Table of Contents Fe Engineering Exam Examples

1. Understanding the eBook Fe Engineering Exam Examples
 - The Rise of Digital Reading Fe Engineering Exam Examples
 - Advantages of eBooks Over Traditional Books
2. Identifying Fe Engineering Exam Examples
 - Exploring Different Genres
 - Considering Fiction vs. Non-Fiction
 - Determining Your Reading Goals
3. Choosing the Right eBook Platform
 - Popular eBook Platforms
 - Features to Look for in an Fe Engineering Exam Examples
 - User-Friendly Interface
4. Exploring eBook Recommendations from Fe Engineering Exam Examples
 - Personalized Recommendations
 - Fe Engineering Exam Examples User Reviews and Ratings
 - Fe Engineering Exam Examples and Bestseller Lists

5. Accessing Fe Engineering Exam Examples Free and Paid eBooks
 - Fe Engineering Exam Examples Public Domain eBooks
 - Fe Engineering Exam Examples eBook Subscription Services
 - Fe Engineering Exam Examples Budget-Friendly Options
6. Navigating Fe Engineering Exam Examples eBook Formats
 - ePub, PDF, MOBI, and More
 - Fe Engineering Exam Examples Compatibility with Devices
 - Fe Engineering Exam Examples Enhanced eBook Features
7. Enhancing Your Reading Experience
 - Adjustable Fonts and Text Sizes of Fe Engineering Exam Examples
 - Highlighting and Note-Taking Fe Engineering Exam Examples
 - Interactive Elements Fe Engineering Exam Examples
8. Staying Engaged with Fe Engineering Exam Examples
 - Joining Online Reading Communities
 - Participating in Virtual Book Clubs
 - Following Authors and Publishers Fe Engineering Exam Examples
9. Balancing eBooks and Physical Books Fe Engineering Exam Examples
 - Benefits of a Digital Library
 - Creating a Diverse Reading Collection Fe Engineering Exam Examples
10. Overcoming Reading Challenges
 - Dealing with Digital Eye Strain
 - Minimizing Distractions
 - Managing Screen Time
11. Cultivating a Reading Routine Fe Engineering Exam Examples
 - Setting Reading Goals Fe Engineering Exam Examples
 - Carving Out Dedicated Reading Time
12. Sourcing Reliable Information of Fe Engineering Exam Examples
 - Fact-Checking eBook Content of Fe Engineering Exam Examples
 - Distinguishing Credible Sources
13. Promoting Lifelong Learning

- Utilizing eBooks for Skill Development
 - Exploring Educational eBooks
14. Embracing eBook Trends
- Integration of Multimedia Elements
 - Interactive and Gamified eBooks

Fe Engineering Exam Examples Introduction

In today's digital age, the availability of Fe Engineering Exam Examples books and manuals for download has revolutionized the way we access information. Gone are the days of physically flipping through pages and carrying heavy textbooks or manuals. With just a few clicks, we can now access a wealth of knowledge from the comfort of our own homes or on the go. This article will explore the advantages of Fe Engineering Exam Examples books and manuals for download, along with some popular platforms that offer these resources. One of the significant advantages of Fe Engineering Exam Examples books and manuals for download is the cost-saving aspect. Traditional books and manuals can be costly, especially if you need to purchase several of them for educational or professional purposes. By accessing Fe Engineering Exam Examples versions, you eliminate the need to spend money on physical copies. This not only saves you money but also reduces the environmental impact associated with book production and transportation. Furthermore, Fe Engineering Exam Examples books and manuals for download are incredibly convenient. With just a computer or smartphone and an internet connection, you can access a vast library of resources on any subject imaginable. Whether you're a student looking for textbooks, a professional seeking industry-specific manuals, or someone interested in self-improvement, these digital resources provide an efficient and accessible means of acquiring knowledge. Moreover, PDF books and manuals offer a range of benefits compared to other digital formats. PDF files are designed to retain their formatting regardless of the device used to open them. This ensures that the content appears exactly as intended by the author, with no loss of formatting or missing graphics. Additionally, PDF files can be easily annotated, bookmarked, and searched for specific terms, making them highly practical for studying or referencing. When it comes to accessing Fe Engineering Exam Examples books and manuals, several platforms offer an extensive collection of resources. One such platform is Project Gutenberg, a nonprofit organization that provides over 60,000 free eBooks. These books are primarily in the public domain, meaning they can be freely distributed and downloaded. Project Gutenberg offers a wide range of classic literature, making it an excellent resource for literature enthusiasts. Another popular platform for Fe Engineering Exam Examples books and manuals is Open Library. Open Library is an initiative of the Internet Archive, a non-profit organization dedicated to digitizing cultural artifacts and making them accessible to the public. Open Library hosts millions of books, including both public domain works and contemporary titles. It also allows users to

borrow digital copies of certain books for a limited period, similar to a library lending system. Additionally, many universities and educational institutions have their own digital libraries that provide free access to PDF books and manuals. These libraries often offer academic texts, research papers, and technical manuals, making them invaluable resources for students and researchers. Some notable examples include MIT OpenCourseWare, which offers free access to course materials from the Massachusetts Institute of Technology, and the Digital Public Library of America, which provides a vast collection of digitized books and historical documents. In conclusion, Fe Engineering Exam Examples books and manuals for download have transformed the way we access information. They provide a cost-effective and convenient means of acquiring knowledge, offering the ability to access a vast library of resources at our fingertips. With platforms like Project Gutenberg, Open Library, and various digital libraries offered by educational institutions, we have access to an ever-expanding collection of books and manuals. Whether for educational, professional, or personal purposes, these digital resources serve as valuable tools for continuous learning and self-improvement. So why not take advantage of the vast world of Fe Engineering Exam Examples books and manuals for download and embark on your journey of knowledge?

FAQs About Fe Engineering Exam Examples Books

1. Where can I buy Fe Engineering Exam Examples books? Bookstores: Physical bookstores like Barnes & Noble, Waterstones, and independent local stores. Online Retailers: Amazon, Book Depository, and various online bookstores offer a wide range of books in physical and digital formats.
2. What are the different book formats available? Hardcover: Sturdy and durable, usually more expensive. Paperback: Cheaper, lighter, and more portable than hardcovers. E-books: Digital books available for e-readers like Kindle or software like Apple Books, Kindle, and Google Play Books.
3. How do I choose a Fe Engineering Exam Examples book to read? Genres: Consider the genre you enjoy (fiction, non-fiction, mystery, sci-fi, etc.). Recommendations: Ask friends, join book clubs, or explore online reviews and recommendations. Author: If you like a particular author, you might enjoy more of their work.
4. How do I take care of Fe Engineering Exam Examples books? Storage: Keep them away from direct sunlight and in a dry environment. Handling: Avoid folding pages, use bookmarks, and handle them with clean hands. Cleaning: Gently dust the covers and pages occasionally.
5. Can I borrow books without buying them? Public Libraries: Local libraries offer a wide range of books for borrowing. Book Swaps: Community book exchanges or online platforms where people exchange books.

6. How can I track my reading progress or manage my book collection? Book Tracking Apps: Goodreads, LibraryThing, and Book Catalogue are popular apps for tracking your reading progress and managing book collections. Spreadsheets: You can create your own spreadsheet to track books read, ratings, and other details.
7. What are Fe Engineering Exam Examples audiobooks, and where can I find them? Audiobooks: Audio recordings of books, perfect for listening while commuting or multitasking. Platforms: Audible, LibriVox, and Google Play Books offer a wide selection of audiobooks.
8. How do I support authors or the book industry? Buy Books: Purchase books from authors or independent bookstores. Reviews: Leave reviews on platforms like Goodreads or Amazon. Promotion: Share your favorite books on social media or recommend them to friends.
9. Are there book clubs or reading communities I can join? Local Clubs: Check for local book clubs in libraries or community centers. Online Communities: Platforms like Goodreads have virtual book clubs and discussion groups.
10. Can I read Fe Engineering Exam Examples books for free? Public Domain Books: Many classic books are available for free as they're in the public domain. Free E-books: Some websites offer free e-books legally, like Project Gutenberg or Open Library.

Find Fe Engineering Exam Examples :

[*nuclear reactor engineering glasstone*](#)

[*nutrition care process terminology ncpt andeal*](#)

[*official electronic parts catalogue renault*](#)

[*nonlinear solid mechanics solutions manual onloneore*](#)

[new holland b90b b90blr b95b b95blr b95btc b100b b100blr b110b b115b backhoe loader service parts catalogue manual instant](#)

[norton anthology of world literature 3rd edition volume d pdf](#)

[norsk grammatikk](#)

[not pianika lagu lunatic kuncigitar45](#)

nino rota music score

[*nissan cabstar wiring pdf*](#)

[om 401 la mercedes engine](#)

[nissan 1400 service manual](#)

ode to autumn

~~new headway upper intermediate fourth edition students book and itutor pack~~

official guide for gmat review

Fe Engineering Exam Examples :

camminare nei luoghi più belli del mondo touringclub it - Apr 02 2023

web nov 9 2018 camminare nei luoghi più belli del mondo il nuovo libro fotografico tci per scoprire 90 straordinari itinerari a piedi camminare nei luoghi più belli del mondo di fabrizio milanesi 9 novembre 2018 la copertina di camminare siamo tutti escursionisti più o meno visto che tra una passeggiata e un cammino a tappe qualche differenza c è

camminare nei luoghi più belli del mondo ediz illustrata by - Jan 31 2023

web montagna luoghi da non perdere camminare nei luoghi più belli del mondo ediz illustrata foliage i luoghi più belli del mondo vogue italia camminare divulgazione h3122a touring editore i 5 cammini in europa più belli expedia scaricare camminare nei luoghi più belli del mondo ediz le puntine del mondo posizioni gps dei posti più belli

camminare nei luoghi piu belli del mondo ediz ill pdf - May 23 2022

web camminare nei luoghi piu belli del mondo ediz ill 1 camminare nei luoghi piu belli del mondo ediz ill passo dopo passo spagna settentrionale saggi letterari la mia vita in verde dizionario generale di scienze lettere arti storia geografia ricordi di un collezionista vegolosi mag 22 lagos review of english studies camminare in italia

camminare nei luoghi piu belli del mondo ediz ill lonely - Mar 01 2023

web door to the proclamation as skillfully as perspicacity of this camminare nei luoghi piu belli del mondo ediz ill can be taken as capably as picked to act quanti sono i domani passati valentina cortese 2012 04 17 e la sua vita raccontata in questo libro sembra quasi una favola hollywoodiana che inizia allo

camminare nei luoghi piu belli del mondo ediz ill pdf - Dec 30 2022

web camminare nei luoghi piu belli del mondo ediz ill camminare nei luoghi piu belli del mondo ediz ill 2 downloaded from rjonline org on 2022 06 23 by guest belli dell asia dagli anni 70 che in ogni stagione centinaia di persone intraprendono il cammino e una volta

camminare nei luoghi più belli del mondo ediz illustrata - Oct 08 2023

web camminare nei luoghi più belli del mondo ediz illustrata copertina rigida illustrato 25 ottobre 2018 di nicolas gardon autore sylvain bazin autore 3 7 3 7 5 0 su 5 stelle informazioni piu dettagliate sui cammini recensito in italia il 11 aprile 2019

camminare nei luoghi piu belli del mondo ediz ill download - Mar 21 2022

web a casa nelle strade nei luoghi di studio e di lavoro islanda camminare nei luoghi più belli del mondo chianti nel cuore

della toscana tra firenze e siena in viaggio nei luoghi più belli e poco noti massoneriopoli camminare vegolosi mag 22 i luoghi del delitto una mappa del giallo italiano contemporaneo riposa nei luoghi del mondo

camminare nei luoghi piu belli del mondo ediz ill pdf - Nov 28 2022

web camminare nei luoghi piu belli del mondo ediz ill camminare nei luoghi piu belli del mondo ediz ill 2 downloaded from ceu social on 2019 01 10 by guest ispirato a un piatto tipico della cucina salentina dà il tema alla serata che si svolgerà nella sua proprietà in valle d itria per avere il massimo risalto mediatico decide di

camminare nei luoghi piu belli del mondo ediz ill 2023 - Jun 04 2023

web camminare nei luoghi più belli del mondo ricordi di un collezionista camminare nei luoghi piu belli del mondo ediz ill downloaded from store spiralny com by guest odonnell lilia anno 2020 l ambiente prima parte antonio giangrande dopo il bestseller la felicità ai miei piedi l avventura di una trekker per caso il secondo libro

camminare nei luoghi piu belli del mondo ediz ill old syndeohro - Jun 23 2022

web camminare nei luoghi piu belli del mondo ediz ill i luoghi del gallo nero in viaggio con un chiantigiano estranee in città a casa nelle strade nei luoghi di studio e di lavoro anno 2020 l ambiente prima parte giornale ligustico di archeologia storia e belle arti cammino terapia alla ricerca dell armonia della persona riposa nei luoghi

camminare nei luoghi piu belli del mondo ediz ill download - Apr 21 2022

web camminare nei luoghi piu belli del mondo ediz ill 3 3 maiuscola non ho una ricetta per riconoscerlo così come non so come si scopre un vero amore fra tanti a me è accaduto il cielo me l ha regalata per un po sulla terra e per sempre nell oltre e sono grata lagos review of english studies edt srl

camminare nei luoghi piu belli del mondo ediz ill download - Feb 17 2022

web camminare nei luoghi piu belli del mondo ediz ill estranee in città a casa nelle strade nei luoghi di studio e di lavoro 101 luoghi insoliti in italia dove andare almeno una volta nella vita islanda chianti nel cuore della toscana tra firenze e siena in viaggio nei luoghi più belli e poco noti saggi letterari vegolosi mag 22 sei sempre

camminare nei luoghi più belli del mondo ediz illustrata - Jul 05 2023

web acquista online il libro camminare nei luoghi più belli del mondo ediz illustrata di nicolas gardon sylvain bazin in offerta a prezzi imbattibili su mondadori store

camminare nei luoghi piu belli del mondo ediz ill pdf uniport edu - Sep 26 2022

web apr 5 2023 camminare nei luoghi piu belli del mondo ediz ill 2 7 downloaded from uniport edu ng on april 5 2023 by guest norvegia anthony ham 2014 11 01 la norvegia è una meta molto speciale e il segreto del suo fascino è semplice è uno dei paesi più belli del mondo 55 cartine facili da consultare 102 giorni di ricerca 23 fiordi tra i più

andare per le città ideali fabio isman libro il mulino - Jul 25 2022

web descrizione non solo palmanova aquileia pienza sabbioneta l italia pullula di città ideali dalla struttura geometrica regolare frutto di visioni laiche o di esoteriche cosmogonie l itinerario va dalla quadristellata terra del sole voluta da cosimo i de medici nel 1546 in romagna ad acaya in provincia di lecce da san leucio

camminare nei luoghi più belli del mondo ediz illustrata - May 03 2023

web attività sportiva meditazione e contemplazione in tre parole l essenza del camminare per scoprire le meraviglie più nascoste del nostro pianeta dai cammini di santiago de compostela ai sentieri alle pendici dell everest dal deserto del ciad fino all arcipelago di capo verde e ai ghiacci d islanda 90 tra i luoghi più belli e affascinanti

traduzione di camminare in turco reverso context - Aug 26 2022

web traduzioni in contesto per camminare in italiano turco da reverso context continua a camminare può camminare posso camminare puoi camminare camminare di nuovo

camminare nei luoghi piu belli del mondo ediz ill download - Oct 28 2022

web may 19 2023 2 camminare nei luoghi piu belli del mondo ediz ill 2022 05 16 visite rimedi alternativi e soluzioni che sembravano infallibili non sono ancora riusciti ad avere un figlio ma questa difficoltà li avvicina ancora di più li fa maturare come coppia e come persone certo i tentennamenti e i momenti apparentemente disperati non mancano

camminare nei luoghi più belli del mondo ediz illustrata - Sep 07 2023

web camminare nei luoghi più belli del mondo ediz illustrata è un libro di nicolas gardon sylvain bazin pubblicato da touring acquista su ibs a 28 40

camminare nei luoghi più belli del mondo ediz illustrata - Aug 06 2023

web camminare nei luoghi più belli del mondo ediz illustrata è un libro di nicolas gardon sylvain bazin pubblicato da touring acquista su lafeltrinelli a 28 40 shop magazine community cartaeffe gift card negozi volantino assistenza clienti aiuto e faq wishlistcounter

acs practice exam general chemistry ii sample test bank 1 studocu - Feb 10 2023

web a w b m c p d r e z 10 which statement is a logical inference from the fact tha t a 0 10 m solut ion of potassium acetate kc 2h3o2 is less alkaline than a 0 10 m solutio n of potassium cyanide kcn a hydrocyanic acid is a weaker acid than acetic acid b hydrocyanic acid is less soluble in water than acetic acid

acs examination guide iibr org - Jan 29 2022

web learn acs final exam chemistry with free interactive flashcards choose from 5000 different sets of acs final exam chemistry flashcards on quizlet acs exam info chem 1211 and chem 1212 national exams general chemistry 1 review study guide ib ap college chem final exam test prep books acs general chemistry study 2 practice

general chemistry 2 acs final review flashcards quizlet - Mar 11 2023

web 1 25 flashcards learn test match q chat created by caseyharding terms in this set 25 what are the 4 types of intermolecular forces listed from weakest to strongest london dispersion dipole dipole hydrogen bonding ion dipole what effect does imfs have on surface tension surface tension increases as strength of imf increase

general chemistry ii chem113 acs final flashcards quizlet - May 13 2023

web created by caitlynnbusby terms in this set 289 the two states that are collectively known as the condensed states are solid and liquid the attractive forces that exist between all molecules and atoms and are the forces that hold many solids and liquids together intermolecular forces intermolecular forces are only significant at

acs final exam chemistry flashcards and study sets quizlet - Nov 07 2022

web learn acs final exam chemistry with free interactive flashcards choose from 5 000 different sets of acs final exam chemistry flashcards on quizlet

taking the acs standardized chemistry final in general chemistry - Oct 06 2022

web my experience with the acs national standardized exam in general chemistry taking the acs standardized chemistry final in general chemistry university of central oklahoma

chem 2 acs final exam flashcards quizlet - Jun 14 2023

web science chemistry physical chemistry chem 2 acs final exam 5 0 8 reviews ideal gas law conditions click the card to flip low pressure high temperature click the card to flip 1 99 flashcards learn test match q chat created by emma ringler terms in this set 99 ideal gas law conditions low pressure high temperature boyle s law $p_1v_1 = p_2v_2$

[acs chemistry 2 final](#) - Dec 28 2021

web acs chemistry final exam 2 general chemistry 2 acs 1 week ago quizlet com web acs chemistry final exam 2 general chemistry 2 acs final review acs chemistry 2 term 1 538 according to the lewis definition an acid is a species click the card to flip 133 show detail preview view more

chemistry 2 final equations provided on acs exm studocu - Sep 05 2022

web chemistry 2 final equations provided on acs exm these are the equations and everything that is given to you when you t view more university rowan university course chemistry i rs chem 06100 69 documents students shared 69 documents in [college general chemistry project american chemical society](#) - Mar 31 2022

web chapter 1 water a natural wonder section 1 1 phases of matter section 1 2 atomic models section 1 3 molecular models section 1 4 valence electrons in molecular models lewis structures section 1 5 arranging electron pairs in three dimensions section 1 6 polarity of the water molecule section 1 7 why is water liquid at room temperature

acs gen chem 2 final exam study guide flashcards quizlet - Aug 16 2023

web acs gen chem 2 final exam study guide 4 4 34 reviews c click the card to flip where is the hydrophilic attracted to water

region of the molecule a region 1 b region 2 c region 3 d the three regions are equally hydrophilic click the card to flip 1 61
learn created by stephanie schisler terms in this set 61 c

general chemistry 2 review study guide ib ap college chem final - Jul 15 2023

web jun 11 2016 this general chemistry 2 final exam ap ib college chem review video tutorial contains many examples and practice problems in the form of a multiple choice practice test it has

acs final exam gen chem 2 study guide answers for 2023 - Feb 27 2022

web acs gen chem exam guide acs general chem practice exam learn online smoothly guide 5 day ago acs gen chem 2 final exam added 5 hours ago use the online gen chem 2 practice exam to help you prepare for an upcoming gen chem 2 second semester general chemistry standardized final exam acs gen guide

acs gen chem second semester exam flashcards quizlet - Jul 03 2022

web induced dipole polar molecule induces a dipole in an atom or nonpolar molecule ion dipole polar water molecules and a sodium ion london dipole dipole hydrogen ionic imf strength from weakest to strongest stronger the the forces between the particles the higher the melting point

acs general chemistry practice test 2023 mometrix test - Apr 12 2023

web jul 19 2023 if the college you attend offers an acs accredited degree program you will most likely be required to take the acs college chemistry exam as one of your final exams click start test above to take a free acs general chemistry practice test and check out our premium quality acs general chemistry exam prep resources by

general chemistry 2 acs practice exam for acs chemistry final - Jan 09 2023

web general chemistry 2 final exam practice the standardized chemistry final exam such as the acs exam taken by college students may have material that is not covered in any chemistry practice exam offered by this website

boğaziçi university department of chemistry boun.edu.tr - May 01 2022

web the course requirement for the bachelor of science degree in chemistry is a minimum of 143 251 ects credit hours of formal course work in addition to the course credit requirements the equivalent of minimum 60 work days of training in a chemistry related facility approved by the department

acs general chemistry study guide download copy - Jun 02 2022

web acs general chemistry i ii study guide 2nd edition general chemistry 1 review study guide ib ap college chem final exam acs exam tips for chem students how to take the acs exam general chemistry 2 review study guide ib ap college chem final exam acs final review tips acs exam general

acs final gen chem 2 flashcards quizlet - Dec 08 2022

web mixture 1 25 ml of 0.10 M HNO₃ and 25 ml of 0.10 M NaNO₃ mixture 2 25 ml of 0.10 M H₂C₂O₄ and 25 ml of 0.10 M NaOH

a 1 only b 2 only c both 1 and 2 d neither 1 nor 2 answer d neither will be a buffer solution because buffers are something and their conjugate q which pair of solutes could be used to prepare an aqueous buffer

acs general chemistry exam study guide manual pdf - Aug 04 2022

web active learning in general chemistry acs style guide acs general chemistry study guide specifications grading student solutions manual for zumdahl decoste s chemical principles 7th schaum s outline of theory and problems of college chemistry foundations of inorganic chemistry cbest prep book 2019 2020 developing

il linguaggio segreto dei tarocchi esoterismo div alessandra - Sep 28 2022

web il linguaggio segreto dei tarocchi esoterismo div getting the books il linguaggio segreto dei tarocchi esoterismo div now is not type of inspiring means you could not and no one else going in the same way as books

il linguaggio segreto dei tarocchi esoterismo div copy election - Mar 23 2022

web introduction il linguaggio segreto dei tarocchi esoterismo div pdf il segreto dei tarocchi manuale pratico di cartomanzia divinatoria il linguaggio segreto dei tarocchi simbolismo e interpretazione degli arcani maggiori e minori il linguaggio segreto dei tarocchi il segreto dei tarocchi massonici il segreto dei tarocchi il linguaggio

il linguaggio segreto dei tarocchi esoterismo div - May 25 2022

web il linguaggio segreto dei tarocchi esoterismo div is available in our book collection an online access to it is set as public so you can get it instantly merely said the il linguaggio segreto dei tarocchi esoterismo div is universally compatible with any devices to read revolting prostitutes molly smith 2018 11 06

il linguaggio segreto dei tarocchi esoterismo div - Feb 19 2022

web segreto dei tarocchi esoterismo div but end up in harmful downloads rather than enjoying a good book with a cup of coffee in the afternoon instead they juggled with some harmful bugs inside their laptop il linguaggio segreto dei tarocchi esoterismo div is available in our digital library an online access to it is set as public so you can

il linguaggio segreto dei tarocchi formato kindle amazon it - Oct 10 2023

web questo libro guida alla scoperta del significato delle singole carte e delle loro combinazioni per innescare le doti paranormali di chiaroveggenza e precognizione che tutti in una certa misura possediamo come eredità ancestrale lunghezza stampa 386 pagine lingua italiano memo su kindle scribe editore de vecchi data di pubblicazione

il linguaggio segreto dei tarocchi esoterismo div jim carroll - Oct 30 2022

web success next door to the declaration as competently as sharpness of this il linguaggio segreto dei tarocchi esoterismo div can be taken as capably as picked to act architecture mysticism and myth w r lethaby 2005 01 01 the perfect temple should stand at the centre of the world a microcosm of the universe fabric its walls

il linguaggio segreto dei tarocchi esoterismo div pdf - Apr 23 2022

web jul 14 2023 il linguaggio segreto dei tarocchi esoterismo div 1 10 downloaded from uniport edu ng on july 14 2023 by guest il linguaggio segreto dei tarocchi esoterismo div as recognized adventure as capably as experience about lesson amusement as capably as deal can be

il linguaggio segreto dei tarocchi di laura tuan youtube - Jul 07 2023

web aug 23 2016 il linguaggio segreto dei tarocchi di laura tuan youtube 0 00 3 06 il linguaggio segreto dei tarocchi di laura tuan associazionelevie 1 6k subscribers

il linguaggio segreto dei tarocchi esoterismo div pdf - Aug 28 2022

web il linguaggio segreto dei tarocchi esoterismo div 1 il linguaggio segreto dei tarocchi esoterismo div il linguaggio segreto dei tarocchi pdf epub linguaggio segreto dei tarocchi golibtry it il linguaggio segreto dei tarocchi esoterismo divinazione il linguaggio segreto dei tarocchi corso di divinazione laura tuan

il linguaggio segreto dei tarocchi tuan laura amazon it libri - Jun 06 2023

web scopri il linguaggio segreto dei tarocchi di tuan laura spedizione gratuita per i clienti prime e per ordini a partire da 29 spediti da amazon il linguaggio segreto dei tarocchi tuan laura amazon it libri

il linguaggio segreto dei tarocchi esoterismo div vps huratips - Sep 09 2023

web il linguaggio segreto dei tarocchi il volto segreto di gaia l equilibrio e la luce estetica spirituale il linguaggio segreto di dante e dei fedeli d amore wooden runes i tarocchi di crowley il manuale per l uso delle carte di aleister crowley e lady frieda harris catalogo dei libri in commercio il linguaggio segreto di segni e coincidenze

il linguaggio segreto dei tarocchi esoterismo div - Nov 30 2022

web il linguaggio segreto dei tarocchi esoterismo div il linguaggio segreto dei tarocchi esoterismo div 3 downloaded from donate pfi org on 2022 10 28 by guest this book contains both a synthesis and mathematical analysis of a wide set of algorithms and theories whose aim is the automatic segmen tation of digital images as well as the

il linguaggio segreto dei tarocchi esoterismo div 2022 - Mar 03 2023

web il linguaggio segreto dei tarocchi esoterismo div the california spade bit horse the cylons secret revolutionary witchcraft the secret language of birthdays wooden runes the light seer s tarot the transcendental game of zen the druids eros oracle morphology of the wild the angel numbers book simboli e numeri sacri dentro ai giochi

il linguaggio segreto dei tarocchi corso di divinazione - Jan 01 2023

web may 17 2012 il linguaggio segreto dei tarocchi corso di divinazione libro di laura tuan spedizione gratuita per ordini superiori a 25 euro acquistalo su libreriauniversitaria it pubblicato da de vecchi collana esoterismo divinazione 23 aprile 2009 9788841284506 giocattoli prima infanzia articoli cucina

il linguaggio segreto dei tarocchi simbolismo e interpretazione degli - Feb 02 2023

web il linguaggio segreto dei tarocchi simbolismo e interpretazione degli arcani maggiori e minori è un libro di laura tuan pubblicato da de vecchi nella collana astrologia acquista su ibs a 18 00

il linguaggio segreto dei tarocchi esoterismo divinazione - Aug 08 2023

web famiglia e salute e benessere il linguaggio segreto dei tarocchi esoterismo divinazione è un libro scaricabile gratuitamente in epub pdf e mobi dell autore laura tuan

il linguaggio segreto dei tarocchi esoterismo div pdf copy - Jul 27 2022

web segreto dei tarocchi esoterismo div pdf furthermore it is not directly done you could bow to even more just about this life on the order of the world il linguaggio segreto dei tarocchi esoterismo div pdf and numerous ebook collections from fictions to scientific research in any way accompanied by them is this il linguaggio segreto dei

tarocchi guida esoterica udemy - Apr 04 2023

web infatti devi sapere che l universo e le madri superiori oggi conosciute come streghe o zingare usano il linguaggio dei simboli e delle carte per comunicare con tutti gli esseri proprio per questo motivo conoscere il significato delle carte dei tarocchi è la strada necessaria se vuoi veramente scoprire i segreti delle antiche grandi madri

il linguaggio segreto dei tarocchi predire il futuro - May 05 2023

web il linguaggio segreto dei tarocchi è parte dell esoterismo oggi c è poco spazio per l esoterismo perché si pensa e si presume con arroganza che chiunque possa farsi un giro su internet o andare in libreria per trovare spiegazione a tutto

il linguaggio segreto dei tarocchi esoterismo div uniport edu - Jun 25 2022

web il linguaggio segreto dei tarocchi esoterismo div 2 8 downloaded from uniport edu ng on march 24 2023 by guest perceptions from the proto colonial through justifications of expansion and annexation and up to decolonization the drunkard s death charles dickens 2014 09 25 the drunkard s death is a short story by charles