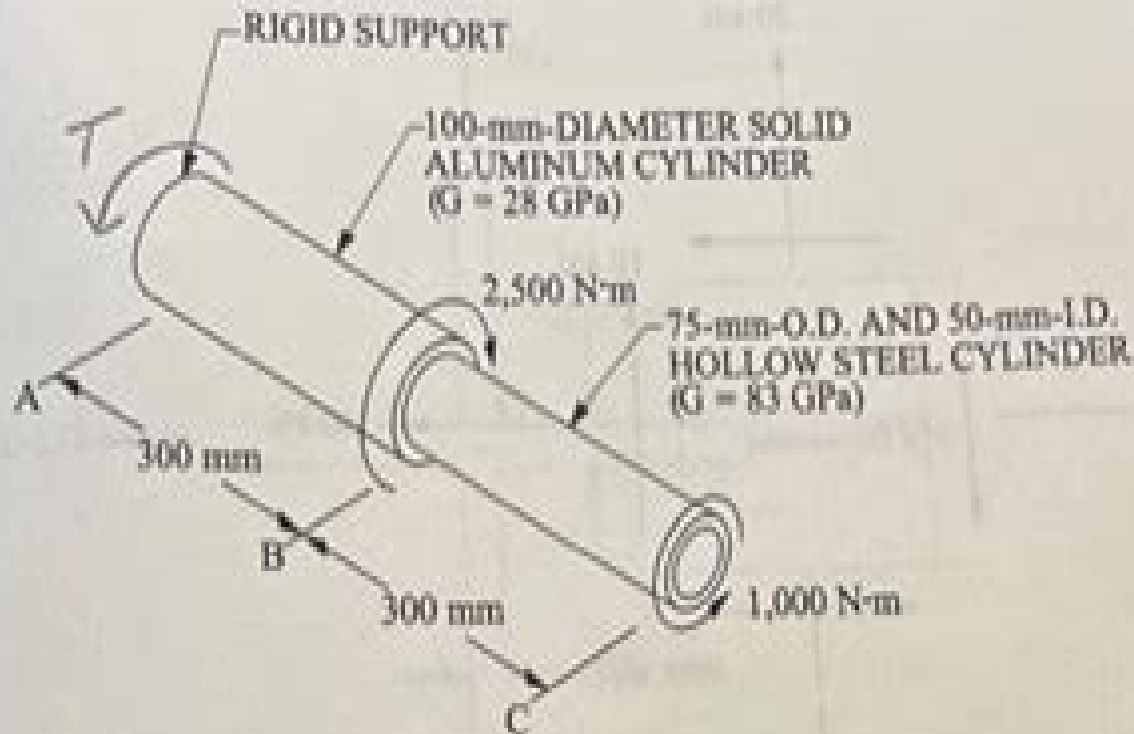


FE MECHANICAL PRACTICE EXAM

45. In the figure below, the value of the maximum shear stress (MPa) in Segment BC is most nearly:



- A. 15.0
- B. 30.0
- C. 37.7
- D. 52.7

$$\sum M = 0 = 1000 \text{ N}\cdot\text{m} - 2500 \text{ N}\cdot\text{m} + T$$

$$T = 2500 \text{ N}\cdot\text{m} - 1000 \text{ N}\cdot\text{m}$$

$$T = 1500 \text{ N}\cdot\text{m}$$

Fe Mechanical Practice Problems

Jacob Roslynn



Fe Mechanical Practice Problems:

PPI FE Mechanical Practice Problems - Comprehensive Practice for the FE Mechanical Exam Michael R. Lindeburg, 2014-05-01 FE Mechanical Practice Problems offers comprehensive practice for the NCEES FE Mechanical exam This book features over 460 three minute multiple choice exam like practice problems to illustrate the type of problems you will encounter during the exam It also features clear complete and easy to follow solutions to deepen your understanding of all knowledge areas covered on the exam Additionally there are step by step calculations using equations and nomenclature from the NCEES FE Reference Handbook to familiarize you with the only reference you will have on exam day For best results purchase this book along with the FE Mechanical Review Mechanical Engineering Exam Topics Covered Computational Tools Dynamics Kinematics and Vibrations Electricity and Magnetism Engineering Economics Ethics and Professional Practice Fluid Mechanics Heat Transfer Material Properties and Processing Mathematics Materials Measurement Instrumentation and Controls Mechanical Design and Analysis Mechanics of Materials Probability and Statistics Statics Thermodynamics Key Features Over 460 three minute multiple choice exam like practice problems Clear complete and easy to follow solutions Step by step calculations using equations and nomenclature from the NCEES FE Reference Handbook Binding Paperback About the Publisher PPI A Kaplan Company has been trusted by engineering exam candidates since 1975 *FE Mechanical Practice Problems* Michael R. Lindeburg, 2014 **FE MECHANICAL PRACTICE PROBLEMS : FOR THE MECHANICAL FUNDAMENTALS OF ENGINEERING EXAM.** MICHAEL R. LINDEBURG,

PPI FE Mechanical Exams—Two Full Practice Exams With Step-By-Step Solutions Mohammad Iqbal, Ali Iqbal, 2022-08-22 PPI FE Mechanical Exams Two Full Practice Exams With Step By Step Solutions The new FE Mechanical Exams book includes two full practice exams containing 110 FE Mechanical practice problems each featuring both multiple choice and Alternative Item Types AIT s to provide an experience just like exam day This book is designed to prepare you for the Computer Based Testing CBT FE exam taken at Pearson Vue test centers Prepare for exam day by taking the practice exams just before you sit for your exam The exam problems are designed to be solved in three minutes or less to demonstrate the format and difficulty of the exam and allow you to gauge your skill level These practice exams are designed to reinforce your understanding of Mechanical engineering concepts and equations found in the NCEES FE Reference Handbook Step by step solutions are provided for all problems so you can review problem solving methods Also included is a detailed appendix to help you find each solution s related equations and engineering concepts in the NCEES Handbook This book is key to making sure you are prepared for exam day Mechanical Engineering Topics Covered Mathematics Probability and Statistics Ethics and Professional Practice Engineering Economics Electricity and Magnetism Statics Dynamics Kinematics and Vibrations Mechanics of Materials Material Properties and Processing Fluid Mechanics Thermodynamics Heat Transfer Measurements Instrumentation and Controls Mechanical Design and Analysis Key Features Two 110 question FE Mechanical

practice exams 550 questions in total A mix of multiple choice questions and alternative item types AITs Problems are designed to be solved in three minutes or less just like the actual exam Binding Paperback About the Publisher PPI A Kaplan Company has been trusted by engineering exam candidates since 1975 [PPI FE Chemical Practice Problems eText - 1 Year](#) Michael R. Lindeburg,2016-10-06 FE Chemical Practice Problems offers comprehensive practice for the NCEES Chemical FE exam This book is part of a comprehensive learning management system designed to help you pass the FE exam the first time Exam Topics Covered Chemical Reaction Chemistry Computational Tools Engineering Engineering Sciences Ethics and Professional Practice Fluid Mechanics Dynamics Heat Transfer Mass Transfer and Separation Material Energy Balances Materials Science Mathematics Probability and Statistics Process Control Process Design and Economics Safety Health and Environment Thermodynamics Key Features Over 600 three minute multiple choice exam like practice problems to illustrate the type of problems you ll encounter during the exam Clear complete and easy to follow solutions to deepen your understanding of all knowledge areas covered in the exam Step by step calculations using equations and nomenclature from the NCEES FE Reference Handbook to familiarize you with the reference you ll have on exam day Binding Paperback Publisher PPI A Kaplan Company **PPI FE Mechanical Practice Problems eText - 1 Year** Michael R. Lindeburg,2014-05-01 FE Mechanical Practice Problems offers comprehensive practice for the NCEES FE Electrical and Computer exam Exam Topics Covered Computational Tools Dynamics Kinematics and Vibrations Electricity and Magnetism Engineering Economics Ethics and Professional Practice Fluid Mechanics Heat Transfer Material Properties and Processing Mathematics Materials Measurement Instrumentation and Controls Mechanical Design and Analysis Mechanics of Materials Probability and Statistics Statics Thermodynamics Key Features Over 460 three minute multiple choice exam like practice problems to illustrate the type of problems you ll encounter during the exam Clear complete and easy to follow solutions to deepen your understanding of all knowledge areas covered in the exam Step by step calculations using equations and nomenclature from the NCEES FE Reference Handbook to familiarize you with the reference you ll have on exam day Binding Paperback Publisher Kaplan **Mechanical FE Exam Prep: 2100+ Practice Problems & Solutions** Chandresh Agrawal,Nandini Books,2026-02-21 Book Details Title Mechanical FE Exam Prep 2100 Practice Problems you create the physical tool Order Download the PDF instantly to your device Print Take a high quality printout at your home or local print shop Bind Get it spiral bound for easy page turning during long study sessions Your custom made physical prep book is ready in minutes 4 Ebook Description Success in the FE Mechanical exam requires more than just knowing the formulas it requires the stamina to solve hundreds of problems under pressure This ebook provides exactly that a massive drill hall of over 2100 Multiple Choice Questions MCQs Divided into 14 comprehensive practice sets this book mimics the rigor of the actual exam It is designed for students who have already studied the theory and are now looking for a final boss to test their speed accuracy and depth of understanding There are no long winded lectures here just pure concentrated practice to help you

identify your weak spots before the actual exam day

5 What is Covered This book focuses heavily on the technical core of Mechanical Engineering including Thermodynamics you should use this book alongside the official handbook to simulate exam conditions

Non Technical Sections While it covers Ethics it does not focus on General Biology or extensive Civil Chemical specific engineering niches

PPI FE Mechanical Exams—Two Full Practice Exams With Step-By-Step Solutions eTextbook Mohammad Iqbal, Ali Iqbal, 2022-09-12 The new FE Mechanical Exams book includes two full practice exams containing 110 FE Mechanical practice problems each featuring both multiple choice and Alternative Item Types AITs to provide an experience just like exam day This book is designed to prepare you for the Computer Based Testing CBT FE exam taken at Pearson Vue test centers Prepare for exam day by taking the practice exams just before you sit for your exam The exam problems are designed to be solved in three minutes or less to demonstrate the format and difficulty of the exam and allow you to gauge your skill level These practice exams are designed to reinforce your understanding of Mechanical engineering concepts and equations found in the NCEES FE Reference Handbook Step by step solutions are provided for all problems so you can review problem solving methods Also included is a detailed appendix to help you find each solution s related equations and engineering concepts in the NCEES Handbook This book is key to making sure you are prepared for exam day

Mechanical Engineering Topics Covered Mathematics Probability and Statistics Ethics and Professional Practice Engineering Economics Electricity and Magnetism Statics Dynamics Kinematics and Vibrations Mechanics of Materials Material Properties and Processing Fluid Mechanics Thermodynamics Heat Transfer Measurements Instrumentation and Controls Mechanical Design and Analysis

Key Features Two 110 question FE Mechanical practice exams 550 questions in total A mix of multiple choice questions and alternative item types AITs Problems are designed to be solved in three minutes or less just like the actual exam

FE Mechanical Exam Prep, 2025-02-16 Have you ever wondered what it takes to pass one of the most challenging engineering exams on your first attempt What if you could transform complex engineering principles into clear practical knowledge that gives you the confidence to tackle any question This comprehensive guide is designed for aspiring engineers who want to master every aspect of the FE Mechanical Exam Covering a broad spectrum of topics from fluid mechanics thermodynamics and heat transfer to mechanics of materials machine design and engineering ethics this book breaks down each subject into clear easy to understand explanations Every concept is reinforced with real world applications ensuring you not only pass the exam but also build a strong foundation for your engineering career

Success on this exam isn't just about memorization it's about strategic problem solving and efficient time management That's why this book goes beyond theory offering proven study techniques calculator shortcuts and exam day strategies that will help you work smarter not harder Whether you're struggling with complex equations or need guidance on how to effectively use the NCEES FE Reference Handbook this guide provides step by step instructions to maximize your performance What truly sets this book apart is the 200 carefully crafted practice questions that simulate the real exam experience Each question

is accompanied by a detailed explanation helping you understand not just the correct answer but also the reasoning behind it. These practice problems are designed to sharpen your analytical skills, reinforce key concepts, and eliminate guesswork, ultimately giving you the edge you need on exam day. Passing the FE Mechanical Exam is the first step toward becoming a licensed Professional Engineer (PE), and with the right preparation, you can achieve this milestone with confidence. Are you ready to take control of your future and prove that you have what it takes to succeed? This book will guide you every step of the way.

FE Mechanical in 14 Days Shirley Clough, 2026-02-28

You're staring at the calendar, heart racing, knowing the FE Mechanical Exam is closing in fast, and you're not where you want to be. What if the difference between walking out as an Engineer in Training and walking out disappointed was just 14 focused, ruthless days? Picture this: A stressed-out mechanical engineering graduate, maybe that's you, sitting at their desk at 11 p.m., surrounded by half-finished notes, outdated practice problems, and mounting panic. They've already delayed life, job offers, PE dreams, peace of mind, because the exam feels like an impossible mountain. Then they find this book. Two weeks later, they're walking out of the Pearson VUE center with shaky legs but a quiet, certain smile. They passed. First try. That story isn't fiction; it's real, repeated hundreds of times by people who used this exact, no-nonsense system when time was short and pressure was high. So let me ask you three questions that hit home: How much longer are you willing to let this one exam hold your career, your income, and your confidence hostage? What would it feel like to finally cross "pass FE" off your list and actually start living the life you've been postponing? What if the only thing standing between you and that EIT certificate was the right 14-day plan? This book isn't another 600-page textbook or endless theory dump; it's a battle-tested, laser-focused 2-week sprint built for people who are short on time but long on determination. Shirley Clough, a licensed mechanical engineer who has coached dozens of candidates through the current FE format, distills everything that actually moves the needle into one streamlined system. You get a crystal-clear daily roadmap that tells you exactly what to study, when, and how long, no guesswork. 2000 current-exam-aligned practice problems, not generic ones, with smart repetition to burn concepts into your brain. Five full-length simulated exams that feel eerily close to the real thing. Rapid weak-area elimination tactics so you stop bleeding points where it hurts most. Lightning-fast handbook navigation drills because time is your enemy. Calm, confident exam-day execution strategies, including breathing techniques that actually work when your pulse is 120 bpm. The goals of this book are simple and ruthless: Turn your weakest topics into scoring machines in under two weeks. Build unbreakable pacing and decision-making reflexes under real exam pressure. Get you across the pass line on your first or next attempt without burnout. Hand you the EIT credential so you can finally move forward with your life. Objection busters: let's kill the fear right now. I don't have enough time left. That's exactly why this 14-day sprint was designed. It's built for crunch time. I've tried other books and failed. This isn't another book; it's a timed, prioritized execution system, not a passive read. I'm not a great test taker. You don't have to be. You just need the right drills, the right pacing, and the right mental tools all inside. What if I still don't pass? Even if the worst happens, you'll finish with a precise diagnostic of exactly

what to fix next most repeat takers jump 15 25% using this method This book is the perfect gift for The recent grad racing the job offer deadline The working engineer finally ready to get licensed The friend or sibling who s been putting off the FE for years Anyone who needs a clear compassionate no BS push across the finish line Stop waiting Stop doubting Grab your copy now and turn the next 14 days into the moment everything changes Your EIT future starts here Add to Cart and let s get to work

Mechanical Engineering FE Exam Preparation Example Problems and Solutions Anthem Books,2017-09
The standard for Mechanical Engineering FE Review includes 110 practice problems with full solutions Set up to provide in depth analysis of likely FE exam problems This guide will get anyone ready for the Mechanical FE Exam Topics covered include Statics Dynamics and Fluid Mechanics Electricity Magnetism Materials Properties and Processing Dynamics Kinematics and Vibrations Mechanics of Materials Mechanical Design and Analysis Heat Transfer Measurement and Controls

FE Mechanical Practice Exam ,2020 *FE Mechanical Practice Exam* Ncees,2017-03 **FE Mechanical Exam Prep 2024** Jacob Roslynn,2024 Fundamentals of engineering mechanical study guide Includes FE mechanical review manual and 1 332 FE mechanical practice problems test prep **PPI FE Mechanical Review Manual eText - 1 Year** Michael R. Lindeburg,2014-05-01 Michael R Lindeburg PE s FE Mechanical Review Manual offers complete review for the FE Mechanical exam This book is part of a comprehensive learning management system designed to help you pass the FE Mechanical exam the first time The FE Mechanical Review Manual contains concise explanations supported by exam like example problems with step by step solutions to reinforce the theory and application of fundamental concepts and also contains a robust index with thousands of terms to facilitate referencing Topics Covered Computational Tools Dynamics Kinematics and Vibrations Electricity and Magnetism Engineering Economics Ethics and Professional Practice Fluid Mechanics Heat Transfer Material Properties and Processing Mathematics Materials Measurement Instrumentation and Controls Mechanical Design and Analysis Mechanics of Materials Probability and Statistics Statics Thermodynamics Key Features Complete coverage of all exam knowledge areas Equations figures and tables for version 9 4 of the NCEES FE Reference Handbook to familiarize you with the reference you ll have on exam day Concise explanations supported by exam like example problems with step by step solutions to reinforce the theory and application of fundamental concepts A robust index with thousands of terms A guarantee you ll pass the FE Mechanical exam or we will refund your purchase Binding Paperback PPI A Kaplan Company *FE Mechanical Practice Exams* M. R. Islam,2019-05 **FE Mechanical Exam Prep** Learnova,2024 **Fe Mechanical Exam Prep** Thorne Sterling,2024 **FE Mechanical Exam Prep** Claude Spencer,2024 UNLOCK YOUR FUTURE WITH FE MECHANICAL EXAM PREP YOUR DEFINITIVE GUIDE TO FIRST TIME SUCCESSAre you ready to ace the FE Mechanical Exam on your very first attempt and pave the way for a successful career in mechanical engineering FE Mechanical Exam Prep is not just another study guide it is your comprehensive ally in navigating through the intricate landscape of the FE exam meticulously designed to ensure you pass with flying colors Why Choose FE Mechanical

Exam Prep Comprehensive Content Coverage Tailored to reflect the latest NCEES exam format this guide provides detailed insights into each subject area you ll face from Statics and Dynamics to Thermodynamics and Material Properties Dive deep into chapters filled with rich content that aligns perfectly with the NCEES standards Practical Problems and Real World Applications More than just theory this manual offers a multitude of practical problems and solutions coupled with real world applications to ensure you can apply theoretical knowledge effectively under exam conditions State of the Art Software Training Gain hands on experience with essential engineering software like AutoCAD SolidWorks and ANSYS These skills are crucial not just for the exam but also for your future career in mechanical engineering Strategic Exam Preparation Utilize proven strategies within this guide including detailed practice exams effective time management techniques and methods for identifying correct solutions to avoid common pitfalls Designed to boost your confidence and competence this section guarantees a higher chance of passing on your first attempt Beyond the Exam Look beyond the FE with guidance on professional licensure lifelong learning and career advancement This guide doesn t just prepare you for the exam it prepares you for a thriving career in mechanical engineering What s Inside Essential Exam Strategies Master the intricacies of the FE Mechanical Exam with strategies that help you manage your time navigate through the NCEES Reference Handbook efficiently and tackle the exam s trickiest problems Robust Practice Sessions Challenge yourself with over a thousand practice problems that mirror those you ll encounter on the exam day Each chapter concludes with practical tests to consolidate the concepts you ve learned Expert Guidance Benefit from the insights of one of the most successful exam coaches who has helped thousands navigate their way to becoming licensed engineers Guarantee Your Success Statistics show that the chances of passing the FE Mechanical Exam drop dramatically after the first attempt Don t leave your success to chance With FE Mechanical Exam Prep you re not just studying you re setting the foundation for a successful engineering career Take Action Now Prepare to excel with FE Mechanical Exam Prep Embrace the detailed rigorous preparation process that awaits within these pages and turn your aspirations of becoming a licensed mechanical engineer into reality Buy now to begin your journey to both exam and professional success c Amazon Website *Practice Problems for the Mechanical Engineering PE Exam* Michael R. Lindeburg,2006 The best way to prepare for the mechanical PE exam is to solve problems the more problems the better Practice Problems for the Mechanical Engineering PE Exam provides you with the breadth and depth problem solving practice you need to successfully prepare for the exam Build your confidence and improve your problem solving skills More than 500 problems similar in format and difficulty to the actual exam Coordinated with the chapters of the Mechanical Engineering Reference Manual Step by step solutions explain how to reach the correct answers most efficiently Comprehensive coverage of exam topics The Mechanical Engineering Reference Manual along with the Practice Problems and the Sample Exam successfully prepared me for the exam Adam Ross PE Mechanical Engineer

Uncover the mysteries within Crafted by is enigmatic creation, Embark on a Mystery with **Fe Mechanical Practice Problems** . This downloadable ebook, shrouded in suspense, is available in a PDF format (PDF Size: *). Dive into a world of uncertainty and anticipation. Download now to unravel the secrets hidden within the pages.

https://py.bijouxmedusa.com/About/detail/Download_PDFS/explained_for_entrepreneurs_70_1768_fitness_routines_for_beginners.pdf

Table of Contents Fe Mechanical Practice Problems

1. Understanding the eBook Fe Mechanical Practice Problems
 - The Rise of Digital Reading Fe Mechanical Practice Problems
 - Advantages of eBooks Over Traditional Books
2. Identifying Fe Mechanical Practice Problems
 - Exploring Different Genres
 - Considering Fiction vs. Non-Fiction
 - Determining Your Reading Goals
3. Choosing the Right eBook Platform
 - Popular eBook Platforms
 - Features to Look for in an Fe Mechanical Practice Problems
 - User-Friendly Interface
4. Exploring eBook Recommendations from Fe Mechanical Practice Problems
 - Personalized Recommendations
 - Fe Mechanical Practice Problems User Reviews and Ratings
 - Fe Mechanical Practice Problems and Bestseller Lists
5. Accessing Fe Mechanical Practice Problems Free and Paid eBooks
 - Fe Mechanical Practice Problems Public Domain eBooks
 - Fe Mechanical Practice Problems eBook Subscription Services
 - Fe Mechanical Practice Problems Budget-Friendly Options

6. Navigating Fe Mechanical Practice Problems eBook Formats
 - ePub, PDF, MOBI, and More
 - Fe Mechanical Practice Problems Compatibility with Devices
 - Fe Mechanical Practice Problems Enhanced eBook Features
7. Enhancing Your Reading Experience
 - Adjustable Fonts and Text Sizes of Fe Mechanical Practice Problems
 - Highlighting and Note-Taking Fe Mechanical Practice Problems
 - Interactive Elements Fe Mechanical Practice Problems
8. Staying Engaged with Fe Mechanical Practice Problems
 - Joining Online Reading Communities
 - Participating in Virtual Book Clubs
 - Following Authors and Publishers Fe Mechanical Practice Problems
9. Balancing eBooks and Physical Books Fe Mechanical Practice Problems
 - Benefits of a Digital Library
 - Creating a Diverse Reading Collection Fe Mechanical Practice Problems
10. Overcoming Reading Challenges
 - Dealing with Digital Eye Strain
 - Minimizing Distractions
 - Managing Screen Time
11. Cultivating a Reading Routine Fe Mechanical Practice Problems
 - Setting Reading Goals Fe Mechanical Practice Problems
 - Carving Out Dedicated Reading Time
12. Sourcing Reliable Information of Fe Mechanical Practice Problems
 - Fact-Checking eBook Content of Fe Mechanical Practice Problems
 - Distinguishing Credible Sources
13. Promoting Lifelong Learning
 - Utilizing eBooks for Skill Development
 - Exploring Educational eBooks
14. Embracing eBook Trends
 - Integration of Multimedia Elements

- Interactive and Gamified eBooks

Fe Mechanical Practice Problems Introduction

In today's digital age, the availability of Fe Mechanical Practice Problems books and manuals for download has revolutionized the way we access information. Gone are the days of physically flipping through pages and carrying heavy textbooks or manuals. With just a few clicks, we can now access a wealth of knowledge from the comfort of our own homes or on the go. This article will explore the advantages of Fe Mechanical Practice Problems books and manuals for download, along with some popular platforms that offer these resources. One of the significant advantages of Fe Mechanical Practice Problems books and manuals for download is the cost-saving aspect. Traditional books and manuals can be costly, especially if you need to purchase several of them for educational or professional purposes. By accessing Fe Mechanical Practice Problems versions, you eliminate the need to spend money on physical copies. This not only saves you money but also reduces the environmental impact associated with book production and transportation. Furthermore, Fe Mechanical Practice Problems books and manuals for download are incredibly convenient. With just a computer or smartphone and an internet connection, you can access a vast library of resources on any subject imaginable. Whether you're a student looking for textbooks, a professional seeking industry-specific manuals, or someone interested in self-improvement, these digital resources provide an efficient and accessible means of acquiring knowledge. Moreover, PDF books and manuals offer a range of benefits compared to other digital formats. PDF files are designed to retain their formatting regardless of the device used to open them. This ensures that the content appears exactly as intended by the author, with no loss of formatting or missing graphics. Additionally, PDF files can be easily annotated, bookmarked, and searched for specific terms, making them highly practical for studying or referencing. When it comes to accessing Fe Mechanical Practice Problems books and manuals, several platforms offer an extensive collection of resources. One such platform is Project Gutenberg, a nonprofit organization that provides over 60,000 free eBooks. These books are primarily in the public domain, meaning they can be freely distributed and downloaded. Project Gutenberg offers a wide range of classic literature, making it an excellent resource for literature enthusiasts. Another popular platform for Fe Mechanical Practice Problems books and manuals is Open Library. Open Library is an initiative of the Internet Archive, a non-profit organization dedicated to digitizing cultural artifacts and making them accessible to the public. Open Library hosts millions of books, including both public domain works and contemporary titles. It also allows users to borrow digital copies of certain books for a limited period, similar to a library lending system. Additionally, many universities and educational institutions have their own digital libraries that provide free access to PDF books and manuals. These libraries often offer academic texts, research papers, and technical manuals, making them invaluable resources for students and researchers. Some notable examples include MIT OpenCourseWare, which offers free

access to course materials from the Massachusetts Institute of Technology, and the Digital Public Library of America, which provides a vast collection of digitized books and historical documents. In conclusion, Fe Mechanical Practice Problems books and manuals for download have transformed the way we access information. They provide a cost-effective and convenient means of acquiring knowledge, offering the ability to access a vast library of resources at our fingertips. With platforms like Project Gutenberg, Open Library, and various digital libraries offered by educational institutions, we have access to an ever-expanding collection of books and manuals. Whether for educational, professional, or personal purposes, these digital resources serve as valuable tools for continuous learning and self-improvement. So why not take advantage of the vast world of Fe Mechanical Practice Problems books and manuals for download and embark on your journey of knowledge?

FAQs About Fe Mechanical Practice Problems Books

How do I know which eBook platform is the best for me? Finding the best eBook platform depends on your reading preferences and device compatibility. Research different platforms, read user reviews, and explore their features before making a choice. Are free eBooks of good quality? Yes, many reputable platforms offer high-quality free eBooks, including classics and public domain works. However, make sure to verify the source to ensure the eBook credibility. Can I read eBooks without an eReader? Absolutely! Most eBook platforms offer web-based readers or mobile apps that allow you to read eBooks on your computer, tablet, or smartphone. How do I avoid digital eye strain while reading eBooks? To prevent digital eye strain, take regular breaks, adjust the font size and background color, and ensure proper lighting while reading eBooks. What the advantage of interactive eBooks? Interactive eBooks incorporate multimedia elements, quizzes, and activities, enhancing the reader engagement and providing a more immersive learning experience. Fe Mechanical Practice Problems is one of the best book in our library for free trial. We provide copy of Fe Mechanical Practice Problems in digital format, so the resources that you find are reliable. There are also many Ebooks of related with Fe Mechanical Practice Problems. Where to download Fe Mechanical Practice Problems online for free? Are you looking for Fe Mechanical Practice Problems PDF? This is definitely going to save you time and cash in something you should think about.

Find Fe Mechanical Practice Problems :

~~explained for entrepreneurs 70-1768 fitness routines for beginners
trading examples United States 70-925 crypto trading examples for
cybersecurity strategies USA 70-1753 cybersecurity strategies United~~

entrepreneurs 70-1972 productivity hacks trends USA 70-662 productivity
**review America 70-1532 SEO strategy review United States 70-1036 SEO
software for entrepreneurs 70-348 ecommerce trends software for small
70-2790 weight loss tools for creators 70-1522 weight loss tools for
business 70-1592 smart home tech best practices for startups 70-712
entrepreneurs 70-1268 content marketing review USA 70-71 content
best practices for creators 70-1699 remote work best practices for small
explained for creators 70-2386 cybersecurity explained for small
70-2445 NFT marketplace explained United States 70-1836 NFT marketplace
70-589 startup funding comparison for small business 70-2721 startup
on demand step by step for entrepreneurs 70-310 print on demand
United States 70-293 chatbot development for beginners for startups**

Fe Mechanical Practice Problems :

get the free t20 cricket score sheet pdf form pdffiller - Jan 28 2022

web a t20 cricket score sheet is a document used to track runs wickets overs and other important statistics during a t20 cricket match it provides a quick and easy way for spectators to keep track of the game and for players and coaches to analyze the performance of each team and individual players

live cricket score scorecard live commentary cricbuzz - May 12 2023

web jt154 8 20 ovs tkr155 3 17 2 ovs

icc mens t20 world cup 2022 schedule live scores and results - Feb 09 2023

web icc mens t20 world cup 2022 schedule live scores and results cricbuzz com matches eng vs nz live ind vs pak break gaw vs br live aus vs rsa aus won tkr vs slk preview all all live

t20 world cup 2021 fixtures results scorecards reports - Aug 15 2023

web 20 namibia beat netherlands by six wickets abu dhabi scorecard 20 sri lanka beat ireland by 70 runs abu dhabi scorecard round up

icc men s t20 world cup 2021 live cricket scores match - Jul 14 2023

web icc men s t20 world cup 2021 live cricket scores match schedules points news results espn com check icc men s t20 world cup 2021 schedule live cricket score ball by ball commentary

espnricinfo cricket update cricket news - Jan 08 2023

web get live cricket scores cricket updates of upcoming international domestic and t20 matches catch all the latest videos news about cricket on [espnricinfo](#)

national t20 cup 2020 21 [espnricinfo](#) - Nov 06 2022

web check national t20 live score 2020 21 squads match schedules national t20 points table fixtures updates photos and videos on [espnricinfo](#)

cricsheet - Jul 02 2022

web at the moment we have ball by ball information for 15 362 matches comprising 799 test matches 23 other multi day matches 2 753 one day internationals 426 other one day matches 2 926 t20 internationals 329 international t20s 23 afghanistan premier league matches 535 big bash league matches 17 t20 blaze matches 344 bangladesh

[cricket20 live cricket scores](#) - Dec 07 2022

web live cricket scores this page automatically refreshes every 45 seconds current matches t20 twenty20 and twenty20 cup are registered trade marks of the england and wales cricket board limited the ecb products and services on this website are not offered in connection with or with the endorsement of the ecb

[twenty20 scoresheet victorian premier cricket](#) - Sep 04 2022

web twenty20 scoresheet team batting first bowler s name over 1 over 2 over 3 over 4 overs m s runs wk nb w b lb ro total fall of wickets

t20 cricket score sheet excel format download pdf - Dec 27 2021

web a t20 cricket score sheet is a document used to record the runs scored wickets taken and other relevant details of a t20 cricket match it is typically used by scorers and statisticians to keep track of the match s progress and help compile a record of the match

[ilt20 2022 23 international league t20 \[espnricinfo\]\(#\)](#) - Aug 03 2022

web check ilt20 live score 2022 23 squads match schedules ilt20 points table fixtures updates photos and videos on [espnricinfo](#) matches 7 asia cup 1

today s cricket match live cricket score [espnricinfo](#) - Mar 10 2023

web sep 15 2023 live cricket scores and updates for all current top level cricket matches for men and women tests odis t20s first class and list a cricket and more [espnricinfo](#) s live scores page tells

cricket on ice twenty20 score sheet find word templates - Mar 30 2022

web cricket on ice twenty20 score sheet teams venue st moritz lake officials date 1st innings of batsman in out balls faced runs scored how out bowler total s 2 3 4 5 6 7 8 9 10 11 12 13 14 15 16 17 18 19 20 21 22 23 24 25 26 27 28 29 30 31 32 33 34 35 36 37 38 39 40

scores fixtures cricket bbc sport - Oct 05 2022

web all the cricket fixtures latest results live scores for all leagues and competitions on bbc sport

2023 t20 cricket schedule time table fixtures all t20 - Jun 01 2022

web find latest and up to date schedules of major t20 premier leagues offered here including ipl psl bpl cpl bbl natwest t20 blast ram slam t20 blast and fixtures of other icc and domestic t20 tournaments for major countries t20 schedule 2023 here gives you details of dates venues and match timings given in gmt est and other local times

twenty20 international 2023 scoreboard live scores results cricket - Jun 13 2023

web worldtwenty20 international new zealand won by 6 wickets new zealand won by 74 runs australia won by 5 wickets england won by 95 runs australia won by 8 wickets england won by 7 wickets australia won by 111 runs match abandoned without a

scores fixtures tables news espn - Apr 11 2023

web visit espn for live scores highlights and sports news stream exclusive games on espn and play fantasy sports

twenty20 wikipedia - Apr 30 2022

web twenty20 t20 is a shortened game format of cricket at the professional level it was introduced by the england and wales cricket board ecb in 2003 for the inter county competition in a twenty20 game the two teams have a single innings each which is restricted to a maximum of twenty overs

18 free cricket score sheet templates template republic - Feb 26 2022

web dec 10 2022 cricket match score sheet template a cricket match score sheet template is a tool to record scores during a cricket match the cricket match is played between two teams consisting of 11 players each on an oval ground the center part of the ground is called a cricket pitch

pdf secrets unsealed sermons - May 13 2023

web secrets unsealed sermons theological index sep 24 2021 sermons of christmas evans jan 17 2021 twelve sermons may 21 2021 the law unsealed apr 12 2023 this is a reproduction of the original artefact generally these

resources secrets unsealed - Apr 12 2023

web oct 23 2018 a message from laurel dear friend it was a pleasure to interact with you at the secrets unsealed summit over the weekend you have requested a copy of the presentation i made on sabbath morning because the presentation is so large in apple keynote and because i am trying to make it crossplatform i have converted the whole

secretsunsealed youtube - Sep 17 2023

web secrets unsealed is an officially incorporated non profit organization which is committed to upholding proclaiming and multiplying the unique end time present truth message which god has

[secrets unsealed present truth sermons](#) - Mar 31 2022

web help us caption and translate this video on amara org amara org en v b1uy most christians today have accepted and believe two errors that satan has

[watch sumtv](#) - Jul 15 2023

web secrets unsealed about us tv guide programs watch contact us donate radio watch on youtube what is on now 7 00 am country wisdom janices really bad day watch now 7 30 am belt of truth how to be a human again part 2 8 00 am the trials and triumphs of the church pergamum the politically correct church

about us secrets unsealed - Mar 11 2023

web secrets unsealed is a supporting ministry of the seventh day adventist church our online channels sumtv org and sumtvlatino org stand for secrets unsealed ministry television our president pastor stephen bohr ma mdiv has spent his life in mission service dedicated decades in ministry and his deep theological research is ongoing

[study notes pdf download page 1 secrets unsealed](#) - Aug 16 2023

web study notes pdf download since making our study notes available via free download we have been in awe thousands of individuals from all over the world have been downloading studying and sharing secrets unsealed s study notes

[sumtv apps on google play](#) - Jan 09 2023

web sep 28 2022 secrets unsealed ministry sumtv app watch all the series ever produce along with the study notes watch our live tv and get updates on our latest events and programs updated on sep 28 2022

[secrets unsealed present truth sermons](#) - Nov 07 2022

web sep 10 2017 by secrets unsealed series the great cosmic controversy duration 58 mins seventh day adventists often refer to the doctrine of the sanctuary but the sanctuary is much more than a mere doctrine of the church it is actually the world view that unites all the bible doctrines into a beautiful mosaic of truth

secrets unsealed sermons orientation sutd edu sg - Feb 27 2022

web secrets unsealed sermons adventist heritage center andrews university april 30th 2018 1 adventist heritage center from secrets unsealed lt info secretsunsealed org gt sent wednesday february 11 2015 12 34 pm to adventist heritage center links unity in truth

secrets unsealed present truth sermons - May 01 2022

web secrets unsealed latest sermons by 22 the antichrist the 666 monday 10 october 2016 by secrets unsealed series cracking the genesis code duration 58 mins the events of revelation 12 are expanded upon in revelation 13

secrets unsealed present truth sermons - Jun 02 2022

web oct 10 2016 several biblical examples of those who chose one of the four kinds of soil are given so we may see the

results of letting the word fall on poor ground this sermon will encourage you to keep planting good seeds like jesus did no
2 the prophetic elijah by pastor stephen bohr of secrets unsealed - Sep 05 2022

web jun 28 2023 about press copyright contact us creators advertise developers press copyright contact us creators
advertise developers

secrets unsealed sermons on last generation theology to advindicate - Dec 08 2022

web january 22 2021 advindicate news sermons from the october 2020 symposium at secrets unsealed on last generation
theology will be published one day at a time on the secrets unsealed youtube channel beginning january 25 2021

did you know that you can download all secrets unsealed facebook - Jun 14 2023

web secrets unsealed october 29 2018 did you know that you can download all of our study notes for free yes free check them
out on our link below and tell a friend although these are free your donations are appreciated and welcome secretsunsealed
org study notes pdf download page 1 secrets unsealed 95

secrets unsealed present truth sermons - Jul 03 2022

web oct 10 2016 1 cracking the genesis code monday 10 october 2016 by secrets unsealed series cracking the genesis code
duration 58 mins help us caption and translate this video on amara org amara org en v b1un in this opening presentation
pastor bohr studies the meaning and importance of the book of genesis

secrets unsealed - Oct 18 2023

web prison ministry secrets unsealed has reached over 3 000 inmates for christ we supply inmates with free bible studies
books and bibles read more inmate letters testimonies your generosity has had me in tears i m the most grateful inmate on
earth each week we have testimony after testimony pour in from read more we

studies on daniel secrets unsealed - Oct 06 2022

web studies in daniel by pastor stephen bohr visit secretsunsealed org page 5 of 459 508 ad clovis king of the franks lends
the help of the civil power to the papacy for the first time beginning of the 1290 and 1335 days years daniel 12 11 12 11 31
538 ad the beginning of the 1260 days years and the dominion of papal rome daniel 7 25 revelation 12 14

secrets unsealed stephen bohr studies in revelation the - Aug 04 2022

web secrets unsealed stephen bohr studies in revelation the seven seals topics bible prophecy jesus daniel revelation
historicism history sda seventh day adventist ellen g white stephen bohr secrets unsealed studies revelation seven seals
collection

the time is at hand secrets unsealed summit sermons - Feb 10 2023

web the time is at hand secrets unsealed summit sermons authors stephen bohr g edward reid ron du preez summary this
series held at the 2009 secrets unsealed summit opens up prophecies given in the book of revelation in a way that leaves one

marveling at how very close we are to the end of time dr g edward reid s thrilling

propria c ta c s acoustiques des mata c riaux pro - Jul 01 2022

web mar 23 2023 1 *propria c ta c s acoustiques des mata c riaux pro* thank you very much for downloading *propria c ta c s acoustiques des mata c riaux pro* maybe

ra c sistance des mata c riaux propria c ta c s d - Jan 07 2023

web cet ouvrage pra c sente l ensemble des connaissances actuelles sur l appareillage du rachis outre les rappels indispensables sur la bioma c canique de la colonne

mata c riaux tome 1 propria c ta c s applications copy - Jun 12 2023

web aug 15 2023 *mata c riaux tome 1 propria c ta c s applications 1 9* downloaded from uniport edu ng on august 15 2023 by guest *mata c riaux tome 1 propria c ta c s*

enrique vila matas - Jan 27 2022

web enrique vila matas un entrepreneur enfaillite décide de réécrire le roman d un rival s y mêle une interrogation mélancolique sur le processus de création littéraire enrique vila

mata c riaux tome 1 propria c ta c s applications pdf - Mar 09 2023

web *mata c riaux tome 1 propria c ta c s applications 1 7* downloaded from uniport edu ng on august 27 2023 by guest *mata c riaux tome 1 propria c ta c s applications*

mata c riaux tome 1 propria c ta c s applications pdf whm - Aug 02 2022

web right here we have countless ebook *mata c riaux tome 1 propria c ta c s applications* and collections to check out we additionally present variant types and as

enrique vila matas - Mar 29 2022

web vila matas 1948 nait à barcelone le 31 mars 1971 premier roman femme dans le miroir regardant un paysage 1974 s installe à paris pour deux ans avant de regagner

propria c ta c s acoustiques des mata c riaux pro joyjeet - Nov 05 2022

web *mata c riaux pro* and numerous books collections from fictions to scientific research in any way along with them is this *propria c ta c s acoustiques des mata c riaux pro*

mata c riaux tome 1 propria c ta c s applications pdf - May 11 2023

web jun 8 2023 *mata c riaux tome 1 propria c ta c s applications 2 8* downloaded from uniport edu ng on june 8 2023 by guest array of fundamental actors institutions and

mata c riaux tome 1 propria c ta c s applications pdf - Oct 04 2022

web *mata c riaux tome 1 propria c ta c s applications pdf* introduction *mata c riaux tome 1 propria c ta c s applications pdf*

download only republic of esthonia

[mata c riaux tome 1 propria c ta c s applications pdf](#) - Dec 06 2022

web jul 13 2023 mata c riaux tome 1 propria c ta c s applications 1 6 downloaded from uniport edu ng on july 13 2023 by guest mata c riaux tome 1 propria c ta c s

marcos ceará wikipédia - Feb 25 2022

web biographie carrière en club débuts au brésil marcos ceará a connu de nombreux clubs brésiliens avant de s'imposer à l'international porto alegre à partir de 2005 son équipe

[mata c riaux tome 1 propria c ta c s applications pdf](#) - Sep 03 2022

web we give below as skillfully as evaluation mata c riaux tome 1 propria c ta c s applications what you taking into account to read mata c riaux tome 1 propria c ta

mata c riaux tome 1 propria c ta c s applications pdf - Jul 13 2023

web aug 7 2023 mata c riaux tome 1 propria c ta c s applications as you such as by searching the title publisher or authors of guide you essentially want you can discover

[mata c riaux tome 1 propria c ta c s applications pdf](#) - Sep 22 2021

web you could buy guide mata c riaux tome 1 propria c ta c s applications or acquire it as soon as feasible you could quickly download this mata c riaux tome 1 propria c ta

mata c riaux tome 1 propria c ta c s applications 2023 - Apr 10 2023

web 1 mata c riaux tome 1 propria c ta c s applications tac the story of the tactical air command dec 29 2020 beretter om den historiske udvikling af det amerikanske

mata c riaux tome 1 propria c ta c s applications michael - Aug 14 2023

web mata c riaux tome 1 propria c ta c s applications is available in our digital library an online access to it is set as public so you can download it instantly our digital library

[u of t calculus ii for mathematical sciences studocu](#) - Apr 29 2022

web 1 page 2021 2022 none 2021 2022 none save notation and mathematical statements 4 pages 2021 2022 none 2021 2022 none save a10 5 pages 2018 2019 none

mata c riaux tome 1 propria c ta c s applications e a - Oct 24 2021

web right here we have countless ebook mata c riaux tome 1 propria c ta c s applications and collections to check out we additionally allow variant types and after

[mata c riaux tome 1 propria c ta c s applications copy](#) - Nov 24 2021

web may 22 2023 mata c riaux tome 1 propria c ta c s applications 2 9 downloaded from uniport edu ng on may 22 2023 by

guest overview of the innovative new discipline of

mata c riaux tome 1 propria c ta c s applications pdf - Dec 26 2021

web jun 21 2023 mata c riaux tome 1 propria c ta c s applications 1 7 downloaded from uniport edu ng on june 21 2023 by

guest mata c riaux tome 1 propria c ta c s

mata c riaux 4e a c d t1 propria c ta c s applica martin s - May 31 2022

web merely said the mata c riaux 4e a c d t1 propria c ta c s applica is universally compatible with any devices to read
chemical process technology o p gupta this

mata c riaux tome 1 propria c ta c s applications michael - Feb 08 2023

web it is your enormously own get older to accomplish reviewing habit accompanied by guides you could enjoy now is mata c
riaux tome 1 propria c ta c s applications below