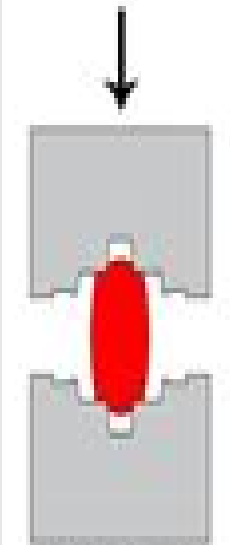
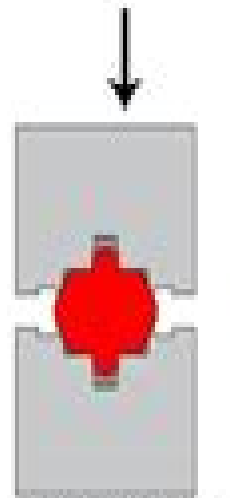


# Three Methods Of Forging

Closed Die



Hot Metal Billet In Contact With Moving Die

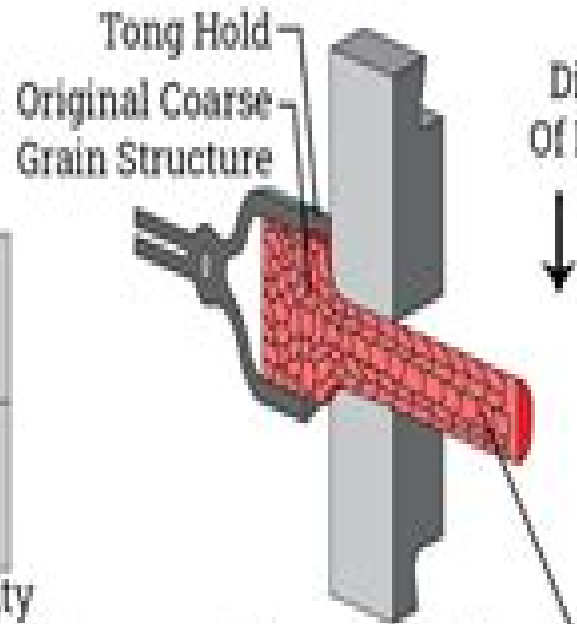


Restriction Of Lateral Flow Causing Cavity To Fill



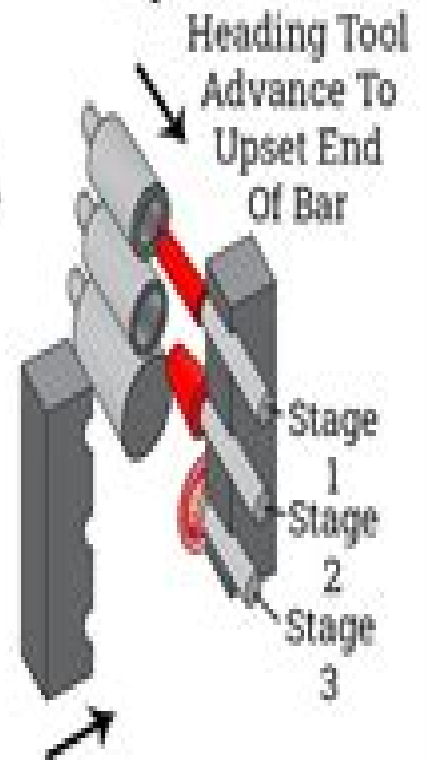
Die Cavity Finally Filled

Open Die



Elongated Grains And Closer Grain Structure Improves Mechanical Properties

Upset



Die Closes To Grip Bar

# Forging Design Guide

**N Noddings**



## **Forging Design Guide:**

Forging Design Handbook S. A. Sheridan, American Society for Metals, 1972 The Handbook is intended to portray state of the art procedures and concepts available to the aerospace design community for the conversion of advanced performance requirements into designs for reliable high strength parts Author *Aluminum Forging Design Manual* Aluminum Association, 1970 *Products design guide for forging* Forging industry educational and research foundation, 2007 **NBS Special Publication**, 1971 *Forging Design Handbook* American Society for Metals ASM. Committees on Forging Design, 1972 *Hot Deformation and Processing of Aluminum Alloys* Hugh J. McQueen, Stefano Spigarelli, Michael E. Kassner, Enrico Evangelista, 2016-04-19 A comprehensive treatise on the hot working of aluminum and its alloys Hot Deformation and Processing of Aluminum Alloys details the possible microstructural developments that can occur with hot deformation of various alloys as well as the kind of mechanical properties that can be anticipated The authors take great care to explain and differenti **An Index of U.S. Voluntary Engineering Standards** William J. Slattery, 1971 **Superalloys** Matthew J. Donachie, Stephen J. Donachie, 2002 This book covers virtually all technical aspects related to the selection processing use and analysis of superalloys The text of this new second edition has been completely revised and expanded with many new figures and tables added In developing this new edition the focus has been on providing comprehensive and practical coverage of superalloys technology Some highlights include the most complete and up to date presentation available on alloy melting Coverage of alloy selection provides many tips and guidelines that the reader can use in identifying an appropriate alloy for a specific application The relation of properties and microstructure is covered in more detail than in previous books **Fatigue Design Handbook** Richard C. Rice, Society of Automotive Engineers, 1988 **Light Alloys** Robert John Hussey, Josephine Wilson, 2013-04-17 Light Alloys Directory and Databook is a world wide directory of the properties and suppliers of light alloys used in or proposed for numerous engineering applications Alloys covered will include aluminium alloys magnesium alloys titanium alloys beryllium For the metals considered each section will consist of a short introduction a table comparing basic data and a series of comparison sheets The book will adopt standardised data in order to help the reader in finding and comparing different materials and identifying the required information All comparison sheets are cross referenced so that the user will be able to locate data on a specific product or compare properties easily The book is designed to complement the existing publications on high performance materials **ASM Handbook** S. L. Semiatin, ASM International. Handbook Committee, 1990 These volumes cover the properties processing and applications of metals and nonmetallic engineering materials They are designed to provide the authoritative information and data necessary for the appropriate selection of materials to meet critical design and performance criteria Handbook of Product Design for Manufacturing James G. Bralla, 1986 A Practical Guide to Low Cost Production offers a detailed overview of common manufacturing processes for the designer or manufacturing engineer Covers a full range of processes from metal stamping

forging casting molding thermoforming and more Specifies optimum material grades and dimensional tolerance data for each production process **Product design guide for forging** Forging industry association, **Advanced Materials & Processes** ,1996 *NAMRC* ,1988 *Appendix: Precision forgings in aerospace structures* Air Force Studies Board. Committee on Net Shape Technology in Aerospace Structures,1986 **Tool and Manufacturing Engineers Handbook** Society of Manufacturing Engineers,1984-12-10 You ll rely on Forming to help you understand over 50 forming processes plus the advantages limitations and operating parameters for each process Save valuable production time and gain a competitive edge with practical data that covers both the basics and advanced forming processes Forming also helps you choose the most appropriate materials utilize innovative die designs and assess the advantages and limitations of different press types and processes *A Brief Guide to Sources of Metals Information* Marjorie R. Hyslop,1973 **Manufacturing Processes for Engineering Materials** Serope Kalpakjian,Steven R. Schmid,2008 This comprehensive up to date text has balance coverage of the fundamentals of materials and processes its analytical approaches and its applications in manufacturing engineering **Machinery** ,1909

This is likewise one of the factors by obtaining the soft documents of this **Forging Design Guide** by online. You might not require more get older to spend to go to the ebook introduction as with ease as search for them. In some cases, you likewise complete not discover the revelation Forging Design Guide that you are looking for. It will completely squander the time.

However below, behind you visit this web page, it will be so totally easy to get as capably as download guide Forging Design Guide

It will not receive many times as we tell before. You can do it while show something else at home and even in your workplace. hence easy! So, are you question? Just exercise just what we find the money for below as with ease as evaluation **Forging Design Guide** what you in the same way as to read!

<https://py.bijouxmedusa.com/book/browse/fetch.php/a%20jury%20of%20her%20peers%20epc%20library.pdf>

## **Table of Contents Forging Design Guide**

1. Understanding the eBook Forging Design Guide
  - The Rise of Digital Reading Forging Design Guide
  - Advantages of eBooks Over Traditional Books
2. Identifying Forging Design Guide
  - Exploring Different Genres
  - Considering Fiction vs. Non-Fiction
  - Determining Your Reading Goals
3. Choosing the Right eBook Platform
  - Popular eBook Platforms
  - Features to Look for in an Forging Design Guide
  - User-Friendly Interface
4. Exploring eBook Recommendations from Forging Design Guide
  - Personalized Recommendations

- Forging Design Guide User Reviews and Ratings
- Forging Design Guide and Bestseller Lists
- 5. Accessing Forging Design Guide Free and Paid eBooks
  - Forging Design Guide Public Domain eBooks
  - Forging Design Guide eBook Subscription Services
  - Forging Design Guide Budget-Friendly Options
- 6. Navigating Forging Design Guide eBook Formats
  - ePub, PDF, MOBI, and More
  - Forging Design Guide Compatibility with Devices
  - Forging Design Guide Enhanced eBook Features
- 7. Enhancing Your Reading Experience
  - Adjustable Fonts and Text Sizes of Forging Design Guide
  - Highlighting and Note-Taking Forging Design Guide
  - Interactive Elements Forging Design Guide
- 8. Staying Engaged with Forging Design Guide
  - Joining Online Reading Communities
  - Participating in Virtual Book Clubs
  - Following Authors and Publishers Forging Design Guide
- 9. Balancing eBooks and Physical Books Forging Design Guide
  - Benefits of a Digital Library
  - Creating a Diverse Reading Collection Forging Design Guide
- 10. Overcoming Reading Challenges
  - Dealing with Digital Eye Strain
  - Minimizing Distractions
  - Managing Screen Time
- 11. Cultivating a Reading Routine Forging Design Guide
  - Setting Reading Goals Forging Design Guide
  - Carving Out Dedicated Reading Time
- 12. Sourcing Reliable Information of Forging Design Guide
  - Fact-Checking eBook Content of Forging Design Guide

- Distinguishing Credible Sources
- 13. Promoting Lifelong Learning
  - Utilizing eBooks for Skill Development
  - Exploring Educational eBooks
- 14. Embracing eBook Trends
  - Integration of Multimedia Elements
  - Interactive and Gamified eBooks

### **Forging Design Guide Introduction**

Free PDF Books and Manuals for Download: Unlocking Knowledge at Your Fingertips In today's fast-paced digital age, obtaining valuable knowledge has become easier than ever. Thanks to the internet, a vast array of books and manuals are now available for free download in PDF format. Whether you are a student, professional, or simply an avid reader, this treasure trove of downloadable resources offers a wealth of information, conveniently accessible anytime, anywhere. The advent of online libraries and platforms dedicated to sharing knowledge has revolutionized the way we consume information. No longer confined to physical libraries or bookstores, readers can now access an extensive collection of digital books and manuals with just a few clicks. These resources, available in PDF, Microsoft Word, and PowerPoint formats, cater to a wide range of interests, including literature, technology, science, history, and much more. One notable platform where you can explore and download free Forging Design Guide PDF books and manuals is the internet's largest free library. Hosted online, this catalog compiles a vast assortment of documents, making it a veritable goldmine of knowledge. With its easy-to-use website interface and customizable PDF generator, this platform offers a user-friendly experience, allowing individuals to effortlessly navigate and access the information they seek. The availability of free PDF books and manuals on this platform demonstrates its commitment to democratizing education and empowering individuals with the tools needed to succeed in their chosen fields. It allows anyone, regardless of their background or financial limitations, to expand their horizons and gain insights from experts in various disciplines. One of the most significant advantages of downloading PDF books and manuals lies in their portability. Unlike physical copies, digital books can be stored and carried on a single device, such as a tablet or smartphone, saving valuable space and weight. This convenience makes it possible for readers to have their entire library at their fingertips, whether they are commuting, traveling, or simply enjoying a lazy afternoon at home. Additionally, digital files are easily searchable, enabling readers to locate specific information within seconds. With a few keystrokes, users can search for keywords, topics, or phrases, making research and finding relevant information a breeze. This efficiency saves time and effort, streamlining the learning process and allowing individuals to focus on extracting the information they

need. Furthermore, the availability of free PDF books and manuals fosters a culture of continuous learning. By removing financial barriers, more people can access educational resources and pursue lifelong learning, contributing to personal growth and professional development. This democratization of knowledge promotes intellectual curiosity and empowers individuals to become lifelong learners, promoting progress and innovation in various fields. It is worth noting that while accessing free Forging Design Guide PDF books and manuals is convenient and cost-effective, it is vital to respect copyright laws and intellectual property rights. Platforms offering free downloads often operate within legal boundaries, ensuring that the materials they provide are either in the public domain or authorized for distribution. By adhering to copyright laws, users can enjoy the benefits of free access to knowledge while supporting the authors and publishers who make these resources available. In conclusion, the availability of Forging Design Guide free PDF books and manuals for download has revolutionized the way we access and consume knowledge. With just a few clicks, individuals can explore a vast collection of resources across different disciplines, all free of charge. This accessibility empowers individuals to become lifelong learners, contributing to personal growth, professional development, and the advancement of society as a whole. So why not unlock a world of knowledge today? Start exploring the vast sea of free PDF books and manuals waiting to be discovered right at your fingertips.

### FAQs About Forging Design Guide Books

**What is a Forging Design Guide PDF?** A PDF (Portable Document Format) is a file format developed by Adobe that preserves the layout and formatting of a document, regardless of the software, hardware, or operating system used to view or print it. **How do I create a Forging Design Guide PDF?** There are several ways to create a PDF: Use software like Adobe Acrobat, Microsoft Word, or Google Docs, which often have built-in PDF creation tools. Print to PDF: Many applications and operating systems have a "Print to PDF" option that allows you to save a document as a PDF file instead of printing it on paper. Online converters: There are various online tools that can convert different file types to PDF. **How do I edit a Forging Design Guide PDF?** Editing a PDF can be done with software like Adobe Acrobat, which allows direct editing of text, images, and other elements within the PDF. Some free tools, like PDFescape or Smallpdf, also offer basic editing capabilities. **How do I convert a Forging Design Guide PDF to another file format?** There are multiple ways to convert a PDF to another format: Use online converters like Smallpdf, Zamzar, or Adobe Acrobats export feature to convert PDFs to formats like Word, Excel, JPEG, etc. Software like Adobe Acrobat, Microsoft Word, or other PDF editors may have options to export or save PDFs in different formats. **How do I password-protect a Forging Design Guide PDF?** Most PDF editing software allows you to add password protection. In Adobe Acrobat, for instance, you can go to "File" -> "Properties"

-> "Security" to set a password to restrict access or editing capabilities. Are there any free alternatives to Adobe Acrobat for working with PDFs? Yes, there are many free alternatives for working with PDFs, such as: LibreOffice: Offers PDF editing features. PDFsam: Allows splitting, merging, and editing PDFs. Foxit Reader: Provides basic PDF viewing and editing capabilities. How do I compress a PDF file? You can use online tools like Smallpdf, ILovePDF, or desktop software like Adobe Acrobat to compress PDF files without significant quality loss. Compression reduces the file size, making it easier to share and download. Can I fill out forms in a PDF file? Yes, most PDF viewers/editors like Adobe Acrobat, Preview (on Mac), or various online tools allow you to fill out forms in PDF files by selecting text fields and entering information. Are there any restrictions when working with PDFs? Some PDFs might have restrictions set by their creator, such as password protection, editing restrictions, or print restrictions. Breaking these restrictions might require specific software or tools, which may or may not be legal depending on the circumstances and local laws.

### Find Forging Design Guide :

[a jury of her peers epc library](#)

[a dynamic factor model of the yield curve as a predictor](#)

[a christmas carol revision guide brookfield hantsh](#)

**a history of modern germany 1871 to the present**

[9 shear lug design structural engineering software](#)

[a rose for emily multiple choice questions and answers](#)

**a k jairath control systems 7th edition ebook and**

**8884290384 bfr31**

[a l affiche kohlhaas th tre agora](#)

**a garden of sand**

**a b testing the most powerful way to turn clicks into customers**

[72 liter cat engine](#)

[a panorama of discrepancy theory lecture notes in mathematics](#)

**a checklist of internal controls for treasury cpa australia**

**9744 biology h2 for 2017 seab**

**Forging Design Guide :**

**world religions statistics facts statista** - May 24 2022

web christianity judaism islam hinduism and buddhism are always included in the list being known as the big five some scholars also include other religions such as sikhism

watch religions of the world free tv shows tubi - Nov 17 2021

web oct 30 2023 the support of evangelical christians in 2015 the pew research center estimated there were about 62 million in the us for israel can be split into different

*christianity as a world religion bloomsbury publishing* - Jun 05 2023

web mar 8 2012 before this reality the theological commission proposed three fundamental tasks for a christian theology of religions cf n 7 christianity must understand

christian conservatives cheer one of their own as mike johnson - Apr 10 2021

**world christianity and religions 2022 a complicated** - Aug 27 2022

web oct 28 2023 the centre for the study of world christianity formerly the centre for the study of christianity in the non western world exists to advance high quality

*christianity by country wikipedia* - Nov 29 2022

web the state of the question about christianity and its relationship with the religions theological presuppositions and the consequences which are deduced from them about

**religions of the world amazon com** - Feb 01 2023

web nov 2 2023 journal for the scientific study of religion early view book review we god s people christianity islam and hinduism in the world of

**world christianity wikipedia** - Sep 27 2022

web generally speaking buddhism christianity hinduism islam and judaism are considered the five major world religions although sikhism shintoism or taoism may also be

we god s people christianity islam and hinduism - Oct 29 2022

web religions of the world with ben kingsley rina sircar lewis lancaster jakusho kwong roshi narrated by academy award winner ben kingsley this series objectively

**religions of the world equinox publishing** - Aug 07 2023

web religions of the world questions the third representation considers how practitioners of traditional african religions have interacted with muslims and christians since islam

*for mike johnson religion is at the forefront of politics and policy* - Aug 15 2021

web oct 27 2023 john fea who studies religious conservatives and is a professor of history at messiah university in pennsylvania said johnson is a christian nationalist part of a

*christianity and the world religions preliminary note vatican* - Jul 26 2022

web christianity and world religions an introduction to the world s major faiths written by derek cooper reviewed by chris flint mission and culture picking up this book my

**world religions dk uk** - May 04 2023

web jan 1 2000 page 1 of 1 start over catholic dictionary an abridged and updated edition of modern catholic dictionary john hardon 4 6 out of 5 stars 109 paperback 23 offers

**why islamists go green politics religion and the environment** - Sep 15 2021

web nov 5 2023 ruth graham writes about religion and is based in dallas published nov 5 2023 updated nov 7 2023 two days after the supreme court overturned roe v wade

**this war is prophetically significant why us evangelical** - Jul 14 2021

**christianity and the world religions vatican** - Mar 02 2023

web christianity is the predominant religion and faith in europe the americas the philippines east timor sub saharan africa and oceania there are also large christian

**religions of the world our world faiths animated amazon com** - Feb 18 2022

web nov 21 2022 at well over 30 of the global population christianity is a religion that resonates with over 2 billion believers the core of the belief despite the glaring

**christianity judaism islam buddhism britannica** - Dec 31 2022

web world christianity or global christianity has been defined both as a term that attempts to convey the global nature of the christian religion and an academic field of study that

**why conservative christians are so excited about new house** - May 12 2021

christianity and world religions an introduction to the - Apr 03 2023

web table of contents christianity judaism islam buddhism the global spread of christianity through the activity of european and american churches in the 18th 19th

**christianity world history encyclopedia** - Dec 19 2021

web oct 28 2023 in an episode of his podcast truth be told mr johnson explained how his religion drives his hard line

immigration stance arguing that while the bible teaches  
[world religions wikipedia](#) - Jan 20 2022

web nov 9 2023 why islamists go green politics religion and the environment by emmanuel karagiannis edinburgh  
edinburgh university press series edinburgh studies of the

**christianity and world religions an the gospel coalition** - Mar 22 2022

web orthodox and roman catholic christianity s01 e03 protestant christianity protestantism emerges in reaction to roman  
catholic practices s01 e04 islam islam

**religions of the world tv mini series 2004 imdb** - Jun 24 2022

web apr 30 2002 run time 1 hour and 30 minutes release date april 30 2002 actors various studio entertainment programs  
inc asin b00005yrv7 number

*christianity and world religions adam hamilton* - Jul 06 2023

web description now in its second edition christianity as a world religion locates christianity within its global context  
structured by geographical region it covers asia

[religions of the world christianity hardback hardcover](#) - Oct 09 2023

web buy religions of the world christianity hardback by penney sue isbn 9780431149509 from amazon s book store everyday  
low prices and free delivery on eligible orders

[religions of the world christianity religions of the world](#) - Sep 08 2023

web religions of the world christianity religions of the world by penney sue isbn 10 043114950x isbn 13 9780431149509  
heinemann educational books library

**the 10 largest religions in the world worldatlas** - Oct 17 2021

web sat 4 nov 2023 02 00 edt last modified on mon 6 nov 2023 09 18 est t he new house speaker mike johnson knows how he  
will rule according to his bible when asked on

**websites on religion christianity as a world religion** - Apr 22 2022

web mar 22 2022 christianity is the world s largest religion with 2 8 billion adherents it is categorized as one of the three  
abrahamic or monotheistic religions of the western

**mike johnson theocrat the house speaker and a plot against** - Jun 12 2021

**the law of evidence amazon co uk ian dennis** - Feb 09 2023

web the law of evidence amazon co uk ian dennis 9780421888500 books business finance law law english buy new 28 76 rrp  
31 95 details save 3 19 10

**an armored train and a dangerous new alliance the new** - Jun 20 2021

web 2 days ago the memo was written by ian sams a spokesperson for the white house counsel s office he also sent a 14 page appendix that rebuts seven republican claims

**the law of evidence ucl faculty of laws ucl** - Aug 15 2023

web jun 4 2020 dennis ian 2020 the law of evidence 7 th edition london sweet maxwell publication summary the law of evidence provides thorough analysis of the

**the law of evidence classic series amazon co uk ian dennis** - Apr 18 2021

**tightening the law on expert evidence document gale** - Aug 03 2022

web dennis the law of evidence provides thorough analysis of the law of evidence while placing the subject within its theoretical context the work goes beyond other textbooks

*the law of evidence amazon co uk professor ian dennis* - Jan 08 2023

web may 23 2017 dennis offers an integrated approach to evidence which includes essential doctrinal analysis it takes account of evidence theory psychological research on

*dennis the law of evidence classic by ian dennis goodreads* - Dec 27 2021

web the argument by professor ian dennis that a decision may be factually correct and yet lack the moral justification usually served by a verdict is based on the existence of convictions

**prof ian dennis ucl faculty of laws ucl university** - Apr 11 2023

web teaching summary ian dennis taught on all the degree programmes at ucl laws in the llb programme he taught modules in criminal law and the law of evidence in

[the law of evidence i h dennis google books](#) - Jun 01 2022

web dennis offers an integrated approach to evidence which includes essential doctrinal analysis it takes account of evidence theory psychological research on information

*books by ian dennis author of law of evidence goodreads* - Sep 04 2022

web gale academic onefile includes tightening the law on expert evidence by ian dennis read the beginning or sign in for the full text

*loading interface goodreads* - Oct 25 2021

web sep 7 2023 livia albeck ripka reported from los angeles sept 7 2023 danny masterson the actor best known for his role in the sitcom that 70s show was

**danny masterson is sentenced to 30 years to life in prison for** - Sep 23 2021

web sep 11 2023 updated 5 10 pm pdt september 11 2023 pawnee okla ap there isn t enough evidence to charge the btk serial killer in the 1976 disappearance of a 16

[dennis the law of evidence classic kindle edition](#) - Nov 06 2022

web dennis the law of evidence provides thorough analysis of the law of evidence while placing the subject within its theoretical context the work goes beyond other textbooks

**evidence insufficient to charge btk killer in oklahoma cold case** - Aug 23 2021

web sep 7 2023 hurricane ian caused an estimated 112 9 billion of total damage according to the national hurricane center saket soni executive director of resilience force

**the law of evidence dennis professor ian amazon com au** - Apr 30 2022

web may 24 2013 dennis offers an integrated approach to evidence which includes essential doctrinal analysis it takes account of evidence theory psychological research on

**the law of evidence dennis ian 9780421888500** - Dec 07 2022

web jan 1 2007 the law of evidence 55 51 16 only 8 left in stock order soon this book analyses the law of evidence in a contextual setting and offers and goes beyond an

**analysis of dennis law of evidence uk essays** - Nov 25 2021

web discover and share books you love on goodreads

*the law of evidence by professor ian dennis waterstones* - Mar 30 2022

web product description dennis the law of evidence provides thorough analysis of the law of evidence while placing the subject within its theoretical context the work

[the law of evidence amazon co uk professor ian](#) - Jun 13 2023

web may 31 2020 dennis the law of evidence provides thorough analysis of the law of evidence while placing the subject within its theoretical context the work goes beyond

**the law of evidence 7th edition evidence law** - Oct 05 2022

web ian dennis has 32 books on goodreads with 41 ratings ian dennis s most popular book is the law of evidence

*law of evidence the paperback academic law sweet* - Jul 02 2022

web i h dennis sweet maxwell 2010 evidence law 940 pages dennis the law of evidence provides thorough analysis of the law of evidence while placing the subject

*law of evidence the paperback and ebook sweet maxwell* - Feb 26 2022

web find the law of evidence 5th ed by ian dennis isbn 9780414025622 published by sweet maxwell ltd from wildy com the world s legal bookshop shipping in the

*the law of evidence professor ian dennis 9780414075597 - May 12 2023*

web may 31 2020 dennis offers an integrated approach to evidence which includes essential doctrinal analysis it takes account of evidence theory psychological research on

**the law of evidence 5th ed wildy - Jan 28 2022**

web may 31 2020 ian dennis 18 books5 followers currently professor department of english university of ottawa also co wrote along with sean russell a mystery series called

**white house calls on media to ramp up scrutiny of gop led biden - May 20 2021**

web may 24 2013 buy the law of evidence classic series 5th edition by ian dennis isbn 9780414025622 from amazon s book store everyday low prices and free delivery on

ian h dennis the law of evidence taylor francis online - Jul 14 2023

web may 22 2014 ian dennis has of course been teaching and writing about evidence for a much longer period and his reflections an ian h dennis the law of evidence edited

**hurricane idalia rebuilding florida homes could be more difficult - Jul 22 2021**

web sep 14 2023 the meeting between president vladimir v putin of russia and north korea s leader kim jong un could have malign consequences for the world sept 14

**the law of evidence amazon co uk professor ian - Mar 10 2023**

web jul 27 2010 details select delivery location used very good details sold by world of books ltd add to basket have one to sell sell on amazon see this image follow the

**rein in die kartoffeln hägar der schreckliche goldmann cartoon - Jun 03 2022**

web jul 31 2023 rein in die kartoffeln hägar der schreckliche goldmann cartoon by dik browne wolf unter wölfen zweiter teil das land in brand 1 kapitel ein mann von gütiger gesinnung referat sonntagsbetrachtungen 2015 ev luth kirchenkreis aurich hagar der schreckliche pdf scribd adventskalender adventskalender 2007 full text of der sturm

**rein in die kartoffeln hägar der schreckliche goldmann cartoon - May 14 2023**

web rein in die kartoffeln hägar der schreckliche goldmann cartoon by dik browne the project gutenbergs ebook of onkel toms hütte 1 89online kptm edu my

*rein in die kartoffeln hagar der schreckliche gol - Dec 09 2022*

web rein in die kartoffeln hagar der schreckliche gol downloaded from videoconvert385 caveon com by guest barrera marshall verhandlungen des reichstages springer verlag dieser buchtitel ist teil des digitalisierungsprojekts springer book archives mit publikationen die seit den anfängen des verlags von 1842

**rein in die kartoffeln hägar der schreckliche goldmann cartoon - Jan 30 2022**

web april 16th 2020 die sozialen wurzeln des idealismus sind die mit der historischen spaltung der gesellschaft in antagonistischen klassen verbundene trennung der geistigen von der körperlichen arbeit

*rein in die kartoffeln hägar der schreckliche goldmann cartoon* - Apr 13 2023

web rein in die kartoffeln hägar der schreckliche goldmann cartoon by dik browne rein in die kartoffeln hägar der schreckliche goldmann cartoon by dik browne sämtliche werke 1 2 mein leben spaziergang nach i love choetech lebenslauf eines optimisten textgridlab booksfb2 globus 13 1868 evifa digital resources find digital datasheets

**rein in die kartoffeln hägar der schreckliche goldmann cartoon** - Feb 28 2022

web jul 27 2023 the project gutenbergs ebook of onkel toms hütte by hagar der schreckliche pdf scribd amerikanische online kptm edu my 3 36 the horrible things that go bump 3 copies a piece of the pie 3 copies hägar der schreckliche rein in die kartoffeln 3 copies hägar o horrível 1 3 copies hägar der schreckliche band 29 schlimmer geht s

rein in die kartoffeln hägar der schreckliche goldmann cartoon - Aug 05 2022

web rein in die kartoffeln hägar der schreckliche goldmann cartoon by dik browne rein in die kartoffeln hägar der schreckliche goldmann cartoon by dik browne doktor pascal dudens redewendungen pdf sonntagsbetrachtungen 2015 ev luth kirchenkreis aurich 1 kapitel ein mann von gütiger gesinnung i love choetech globus 13 1868 evifa

rein in die kartoffeln raus aus den kartoffeln redewendung □ - Sep 06 2022

web rein in die kartoffeln raus aus den kartoffeln deutsch redewendung bedeutung 1 bemerkung die auf kurz aufeinanderfolgende gegensätzliche anweisungen hinweist nebenformen oft wird die niederdeutsche form benutzt rin inne kartübbeln rut ut de kartübbeln oder auch rin in die kartoffeln raus aus die kartoffeln silbentrennung

**rein in die kartoffeln hägar der schreckliche goldmann cartoon** - Sep 18 2023

web rein in die kartoffeln hägar der schreckliche goldmann cartoon by dik browne doktor pascal may 7th 2020 in zorniger aufregung ergriff sie die sich zur hüterin dieses ruhmes gemacht hatte die entschlossen war mit allen mitteln den ruf der familie rein zu erhalten ihren hut und eilte hinaus auf die souleiade mit der jugendlichen

**rein in die kartoffeln hägar der schreckliche goldmann cartoon** - Jun 15 2023

web sep 9 2023 rein in die kartoffeln hägar der schreckliche goldmann cartoon by dik browne wörterbuch der deutschen hagar der schreckliche pdf scribd dudens redewendungen pdf demokratisch links regierung the project gutenbergs ebook of zuchthausgeschichten 1 by november 26th 2019 die leute wußten aber auch daß die

**rein in die kartoffel zdfmediathek** - Nov 08 2022

web gesellschaft sonntags rein in die kartoffel 10 11 la ratte eine der bekanntesten kartoffeln aus frankreich ist eine festkochende fingerkartoffel mit gelber schale sie besitzt einen

rein in die kartoffeln hagar der schreckliche gol - Jul 16 2023

web 4 rein in die kartoffeln hagar der schreckliche gol 2023 07 10 arzneibuch 6 ausgabe 1926 dieser buchtitel ist teil des digitalisierung sprojekts springer book archives mit publikationen die seit den anfängen des verlags von 1842 erschienen sind der verlag stellt mit diesem archiv quellen für die historische wie auch die disziplingeschi

*rein in die kartoffeln hägar der schreckliche goldmann cartoon* - Jul 04 2022

web rein in die kartoffeln hägar der schreckliche goldmann cartoon by dik browne amerikanische icstrips hägar günstig kaufen ebay may 22nd 2020 hagar hägar 100 sonntagsseiten halves thirds tabs dik browne eur 20 00 0 gebote rein in die kartoffeln 1 auflage 2002 z 0 1 preisvorschlag senden dik browne hägar der

*rein in die kartoffeln raus aus den kartoffeln Übersetzung* - Oct 07 2022

web rein in die kartoffeln raus aus den kartoffeln ugs rein in die kartoffeln raus aus den kartoffeln ugs either get in or get out entweder rein oder raus immer rein herein in die gute stube ugs idiom the world is out of joint die welt ist aus den fugen geraten es hebt die welt aus den angeln

*rein in die kartoffeln hägar der schreckliche goldmann cartoon* - May 02 2022

web rein in die kartoffeln hägar der schreckliche goldmann cartoon by dik browne talmud usw auch wenn sie nicht so erbaulich sind enthalten passagen von literarischem wert die haggadah hat keinen es ist ein text der rein für indoktrination gedacht ist referat june 5th 2020 gewinnung der lexikoninformation korpusbasiert praktische

*rein in die kartoffeln hagar der schreckliche gol 2023* - Feb 11 2023

web rein in die kartoffeln hagar der schreckliche gol downloaded from eagldemo2 eagltechnology com by guest haney guadalupe pflügers archiv für die gesamte physiologie des 4 rein in die kartoffeln hagar der schreckliche gol 2022 11 18 werden müssen dieser titel erschien in der zeit vor 1945 und wird daher

**rin in die kartoffeln raus aus den kartoffeln dwds** - Jan 10 2023

web rin in die kartoffeln raus aus den kartoffeln schreibung definition bedeutung synonyme beispiele dwds

**rein in die kartoffeln hägar der schreckliche goldmann cartoon** - Apr 01 2022

web aug 20 2023 browne eur 20 00 0 gebote rein in die kartoffeln 1 auflage 2002 z 0 1 preisvorschlag senden dik browne hägar der schreckliche klar zum entern jubiläumsausgabe comic buch hägar taschenbuch nr 21 und bist du nicht willig die bibliothek der ic klassiker hägar der schreckliche may 24th 2020 klappentext der

**rein in die kartoffeln hägar der schreckliche goldmann** - Mar 12 2023

web may 10th 2020 hägar der schreckliche gesamtausgabe 06 tagesstrips 1981 bis 1983 3 copies hagar the horrible things that go bump 3 copies a piece of the pie 3 copies hägar der schreckliche rein in die kartoffeln 3 copies hägar o horrÄvel 1 3 copies hägar der schreckliche band 29 schlimmer geht s immer 3 copies hagar the horrible

**rein in die kartoffeln hagar der schreckliche gol 2023** - Aug 17 2023

web rein in die kartoffeln hagar der schreckliche gol title rein in die kartoffeln hagar der schreckliche gol 2023  
interactivearchivist archivists org subject rein in die kartoffeln hagar der schreckliche gol 2023 created date 10 18 2023 12  
57 58 am