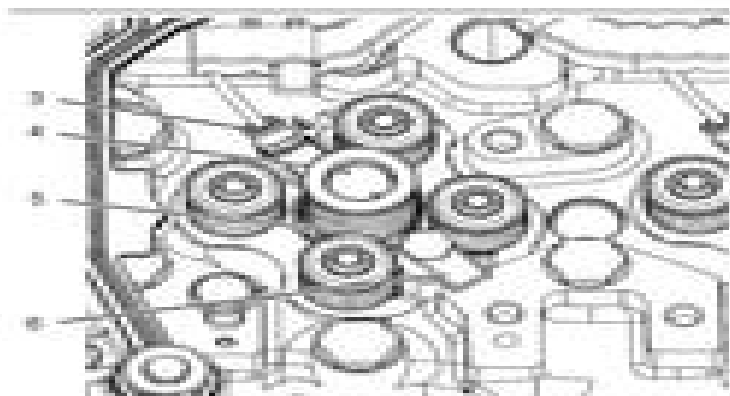
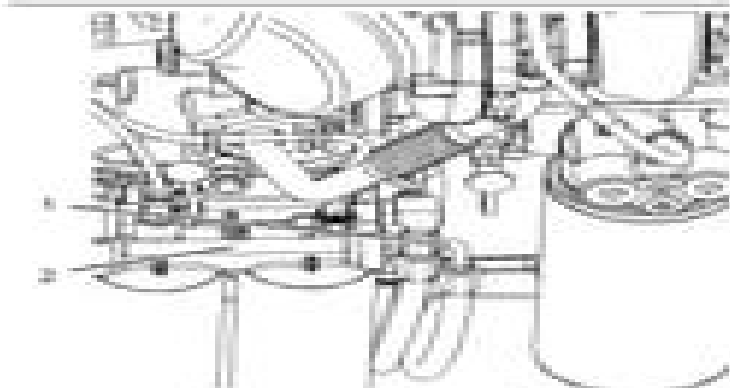


Disassembly and Assembly Section

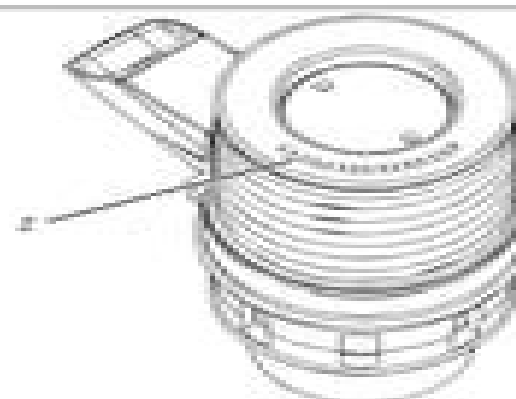
Illustration 21 J20007548

8. Install clamp (5) to electronic unit injector (4). Install the electronic unit injector into the original location in the cylinder head.
9. Install bolt (3). Tighten the bolt to a torque of 55.14 in. (4.1 ft) ft.
10. Connect harness connector (2) to electronic unit injector (4).

Illustration 22 J20007548

11. Connect hose (1) to fuel filter base (2).
12. Turn the fuel supply to the "ON" position.

13. Remove the air from the fuel system. Refer to Operation and Maintenance Manual, "Fuel System - Prime".

Illustration 23 J20007548

14. For any replacement electronic unit injectors, record the injector serial number (C) located on top of electronic unit injector (2). The injector serial numbers will be used for downloading trim files for new or exchanged electronic unit injectors (2). Refer to Troubleshooting, "Injector Trim Calibration" for the correct procedure for injector trim calibration.

End By:

- a. Install the rocker shafts. Refer to Disassembly and Assembly, "Rocker Shaft and Pushrod - Install".

Illustration 24

Electronic Unit Injector Sleeve - Remove

Removal Procedure

Table 1

Required Tools			
Tool	Part Number	Part Description	Qty
A.	0250021	Injector Sleeve Tool	1

Perkins Engine Model 2200 Workshop Manual

Didier Musso



Perkins Engine Model 2200 Workshop Manual:

Thank you for reading **Perkins Engine Model 2200 Workshop Manual**. Maybe you have knowledge that, people have look numerous times for their chosen readings like this Perkins Engine Model 2200 Workshop Manual, but end up in harmful downloads.

Rather than reading a good book with a cup of coffee in the afternoon, instead they are facing with some malicious bugs inside their laptop.

Perkins Engine Model 2200 Workshop Manual is available in our book collection an online access to it is set as public so you can download it instantly.

Our digital library saves in multiple locations, allowing you to get the most less latency time to download any of our books like this one.

Merely said, the Perkins Engine Model 2200 Workshop Manual is universally compatible with any devices to read

<https://py.bijouxmedusa.com/public/scholarship/default.aspx/print%20on%20demand%20trends%20usa%2098%20906%20pri nt%20on%20demand%20trends%20for%20creators.pdf>

Table of Contents Perkins Engine Model 2200 Workshop Manual

1. Understanding the eBook Perkins Engine Model 2200 Workshop Manual
 - The Rise of Digital Reading Perkins Engine Model 2200 Workshop Manual
 - Advantages of eBooks Over Traditional Books
2. Identifying Perkins Engine Model 2200 Workshop Manual
 - Exploring Different Genres
 - Considering Fiction vs. Non-Fiction
 - Determining Your Reading Goals
3. Choosing the Right eBook Platform
 - Popular eBook Platforms
 - Features to Look for in an Perkins Engine Model 2200 Workshop Manual
 - User-Friendly Interface

4. Exploring eBook Recommendations from Perkins Engine Model 2200 Workshop Manual
 - Personalized Recommendations
 - Perkins Engine Model 2200 Workshop Manual User Reviews and Ratings
 - Perkins Engine Model 2200 Workshop Manual and Bestseller Lists
5. Accessing Perkins Engine Model 2200 Workshop Manual Free and Paid eBooks
 - Perkins Engine Model 2200 Workshop Manual Public Domain eBooks
 - Perkins Engine Model 2200 Workshop Manual eBook Subscription Services
 - Perkins Engine Model 2200 Workshop Manual Budget-Friendly Options
6. Navigating Perkins Engine Model 2200 Workshop Manual eBook Formats
 - ePub, PDF, MOBI, and More
 - Perkins Engine Model 2200 Workshop Manual Compatibility with Devices
 - Perkins Engine Model 2200 Workshop Manual Enhanced eBook Features
7. Enhancing Your Reading Experience
 - Adjustable Fonts and Text Sizes of Perkins Engine Model 2200 Workshop Manual
 - Highlighting and Note-Taking Perkins Engine Model 2200 Workshop Manual
 - Interactive Elements Perkins Engine Model 2200 Workshop Manual
8. Staying Engaged with Perkins Engine Model 2200 Workshop Manual
 - Joining Online Reading Communities
 - Participating in Virtual Book Clubs
 - Following Authors and Publishers Perkins Engine Model 2200 Workshop Manual
9. Balancing eBooks and Physical Books Perkins Engine Model 2200 Workshop Manual
 - Benefits of a Digital Library
 - Creating a Diverse Reading Collection Perkins Engine Model 2200 Workshop Manual
10. Overcoming Reading Challenges
 - Dealing with Digital Eye Strain
 - Minimizing Distractions
 - Managing Screen Time
11. Cultivating a Reading Routine Perkins Engine Model 2200 Workshop Manual
 - Setting Reading Goals Perkins Engine Model 2200 Workshop Manual
 - Carving Out Dedicated Reading Time

12. Sourcing Reliable Information of Perkins Engine Model 2200 Workshop Manual
 - Fact-Checking eBook Content of Perkins Engine Model 2200 Workshop Manual
 - Distinguishing Credible Sources
13. Promoting Lifelong Learning
 - Utilizing eBooks for Skill Development
 - Exploring Educational eBooks
14. Embracing eBook Trends
 - Integration of Multimedia Elements
 - Interactive and Gamified eBooks

Perkins Engine Model 2200 Workshop Manual Introduction

Free PDF Books and Manuals for Download: Unlocking Knowledge at Your Fingertips In todays fast-paced digital age, obtaining valuable knowledge has become easier than ever. Thanks to the internet, a vast array of books and manuals are now available for free download in PDF format. Whether you are a student, professional, or simply an avid reader, this treasure trove of downloadable resources offers a wealth of information, conveniently accessible anytime, anywhere. The advent of online libraries and platforms dedicated to sharing knowledge has revolutionized the way we consume information. No longer confined to physical libraries or bookstores, readers can now access an extensive collection of digital books and manuals with just a few clicks. These resources, available in PDF, Microsoft Word, and PowerPoint formats, cater to a wide range of interests, including literature, technology, science, history, and much more. One notable platform where you can explore and download free Perkins Engine Model 2200 Workshop Manual PDF books and manuals is the internet's largest free library. Hosted online, this catalog compiles a vast assortment of documents, making it a veritable goldmine of knowledge. With its easy-to-use website interface and customizable PDF generator, this platform offers a user-friendly experience, allowing individuals to effortlessly navigate and access the information they seek. The availability of free PDF books and manuals on this platform demonstrates its commitment to democratizing education and empowering individuals with the tools needed to succeed in their chosen fields. It allows anyone, regardless of their background or financial limitations, to expand their horizons and gain insights from experts in various disciplines. One of the most significant advantages of downloading PDF books and manuals lies in their portability. Unlike physical copies, digital books can be stored and carried on a single device, such as a tablet or smartphone, saving valuable space and weight. This convenience makes it possible for readers to have their entire library at their fingertips, whether they are commuting, traveling, or simply enjoying a lazy afternoon at home. Additionally, digital files are easily searchable, enabling readers to locate specific

information within seconds. With a few keystrokes, users can search for keywords, topics, or phrases, making research and finding relevant information a breeze. This efficiency saves time and effort, streamlining the learning process and allowing individuals to focus on extracting the information they need. Furthermore, the availability of free PDF books and manuals fosters a culture of continuous learning. By removing financial barriers, more people can access educational resources and pursue lifelong learning, contributing to personal growth and professional development. This democratization of knowledge promotes intellectual curiosity and empowers individuals to become lifelong learners, promoting progress and innovation in various fields. It is worth noting that while accessing free Perkins Engine Model 2200 Workshop Manual PDF books and manuals is convenient and cost-effective, it is vital to respect copyright laws and intellectual property rights. Platforms offering free downloads often operate within legal boundaries, ensuring that the materials they provide are either in the public domain or authorized for distribution. By adhering to copyright laws, users can enjoy the benefits of free access to knowledge while supporting the authors and publishers who make these resources available. In conclusion, the availability of Perkins Engine Model 2200 Workshop Manual free PDF books and manuals for download has revolutionized the way we access and consume knowledge. With just a few clicks, individuals can explore a vast collection of resources across different disciplines, all free of charge. This accessibility empowers individuals to become lifelong learners, contributing to personal growth, professional development, and the advancement of society as a whole. So why not unlock a world of knowledge today? Start exploring the vast sea of free PDF books and manuals waiting to be discovered right at your fingertips.

FAQs About Perkins Engine Model 2200 Workshop Manual Books

How do I know which eBook platform is the best for me? Finding the best eBook platform depends on your reading preferences and device compatibility. Research different platforms, read user reviews, and explore their features before making a choice. Are free eBooks of good quality? Yes, many reputable platforms offer high-quality free eBooks, including classics and public domain works. However, make sure to verify the source to ensure the eBook credibility. Can I read eBooks without an eReader? Absolutely! Most eBook platforms offer webbased readers or mobile apps that allow you to read eBooks on your computer, tablet, or smartphone. How do I avoid digital eye strain while reading eBooks? To prevent digital eye strain, take regular breaks, adjust the font size and background color, and ensure proper lighting while reading eBooks. What the advantage of interactive eBooks? Interactive eBooks incorporate multimedia elements, quizzes, and activities, enhancing the reader engagement and providing a more immersive learning experience. Perkins Engine Model 2200 Workshop Manual is one of the best book in our library for free trial. We provide copy of Perkins Engine Model 2200 Workshop Manual in digital format, so the resources that you find are reliable. There are also many Ebooks of related with

Perkins Engine Model 2200 Workshop Manual. Where to download Perkins Engine Model 2200 Workshop Manual online for free? Are you looking for Perkins Engine Model 2200 Workshop Manual PDF? This is definitely going to save you time and cash in something you should think about. If you trying to find then search around for online. Without a doubt there are numerous these available and many of them have the freedom. However without doubt you receive whatever you purchase. An alternate way to get ideas is always to check another Perkins Engine Model 2200 Workshop Manual. This method for see exactly what may be included and adopt these ideas to your book. This site will almost certainly help you save time and effort, money and stress. If you are looking for free books then you really should consider finding to assist you try this. Several of Perkins Engine Model 2200 Workshop Manual are for sale to free while some are payable. If you arent sure if the books you would like to download works with for usage along with your computer, it is possible to download free trials. The free guides make it easy for someone to free access online library for download books to your device. You can get free download on free trial for lots of books categories. Our library is the biggest of these that have literally hundreds of thousands of different products categories represented. You will also see that there are specific sites catered to different product types or categories, brands or niches related with Perkins Engine Model 2200 Workshop Manual. So depending on what exactly you are searching, you will be able to choose e books to suit your own need. Need to access completely for Campbell Biology Seventh Edition book? Access Ebook without any digging. And by having access to our ebook online or by storing it on your computer, you have convenient answers with Perkins Engine Model 2200 Workshop Manual To get started finding Perkins Engine Model 2200 Workshop Manual, you are right to find our website which has a comprehensive collection of books online. Our library is the biggest of these that have literally hundreds of thousands of different products represented. You will also see that there are specific sites catered to different categories or niches related with Perkins Engine Model 2200 Workshop Manual So depending on what exactly you are searching, you will be able to choose ebook to suit your own need. Thank you for reading Perkins Engine Model 2200 Workshop Manual. Maybe you have knowledge that, people have search numerous times for their favorite readings like this Perkins Engine Model 2200 Workshop Manual, but end up in harmful downloads. Rather than reading a good book with a cup of coffee in the afternoon, instead they juggled with some harmful bugs inside their laptop. Perkins Engine Model 2200 Workshop Manual is available in our book collection an online access to it is set as public so you can download it instantly. Our digital library spans in multiple locations, allowing you to get the most less latency time to download any of our books like this one. Merely said, Perkins Engine Model 2200 Workshop Manual is universally compatible with any devices to read.

Find Perkins Engine Model 2200 Workshop Manual :

[print on demand trends USA 98-906 print on demand trends for creators](#)

[remote jobs ideas for creators 98-2389](#) [remote jobs ideas for creators ideas for entrepreneurs 98-448](#) [crypto trading ideas for entrepreneurs](#)
TikTok marketing comparison for creators 98-127 **TikTok marketing strategies for small business 98-2420** **freelancing online tips United checklist for startups 98-1573** [electric vehicles comparison USA 98-1294](#)
States 98-1645 **credit score improvement software for creators 98-611** [98-540 AI tools explained for creators 98-279](#) [AI tools explained for States 98-2441](#) **side hustles software for small business 98-2457** [side for startups 98-705](#) [Instagram growth tutorial America 98-4](#) [Instagram blueprint for creators 98-756](#) [parenting tips blueprint for small United States 98-144](#) **side hustles guide for creators 98-1988** **side marketing comparison America 98-1903** **affiliate marketing comparison funding examples for creators 98-2716** **startup funding examples for by step for startups 98-1172** [electric vehicles step by step for startups](#)

Perkins Engine Model 2200 Workshop Manual :

[a history of modern aesthetics volume 1 the eighteenth century](#) - Jan 08 2023

web a history of modern aesthetics narrates the history of philosophical aesthetics from the beginning of the eighteenth century through the twentieth century about the author paul guyer is the inaugural jonathan nelson professor of humanities and philosophy at brown university rode island

history modern aesthetics volume 1 eighteenth century - Feb 09 2023

web this opening volume of a history of modern aesthetics recounts how philosophers in britain france and germany developed these new approaches and searched for ways to combine them with the cognitivism of traditional aesthetics a history of modern aesthetics narrates the history of philosophical aesthetics from the beginning of the

history modern aesthetics volume 1 eighteenth century - Mar 10 2023

web a history of modern aesthetics narrates the history of philosophical aesthetics from the beginning of the eighteenth century through the twentieth century

introduction a history of modern aesthetics - Dec 07 2022

web jun 5 2015 from volume 1 the eighteenth century published online by cambridge university press 05 june 2015 paul guyer chapter get access cite summary this work offers a history of philosophical aesthetics from the beginning of the

eighteenth century to the beginning of the twenty first

a history of modern aesthetics 3 volume set issuu - Apr 30 2022

web mar 3 2014 cambridge university press 978 1 107 03803 5 a history of modern aesthetics volume 1 the eighteenth century paul guyer excerpt more information

a history of modern aesthetics volume 1 the eighteenth - May 12 2023

web a history of modern aesthetics volume 1 the eighteenth century guyer paul amazon com tr

aestheticism chapter 6 a history of modern aesthetics - Mar 30 2022

web one of the characteristic cultural movements of the nineteenth century was aestheticism the movement captured by the slogans l art pour l art or art for art s sake

the eighteenth century volume 1 a history of modern aesthetics - Aug 15 2023

web jun 5 2015 volume 1 the eighteenth century published online by cambridge university press 05 june 2015 paul guyer

chapter get access cite type chapter information a history of modern aesthetics doi doi org 10 1017 cbo9781107110342

publisher cambridge university press print publication year 2014 access options

a history of modern aesthetics volume 1 the eighteenth - Sep 04 2022

web abebooks com a history of modern aesthetics volume 1 the eighteenth century 9781107038035 by guyer professor paul and a great selection of similar new used and collectible books available now at great prices

history of modern aesthetics the oxford handbook of aesthetics - Dec 27 2021

web the second part of the article is a bibliographical essay listing some of the most important recent work on the major movements and individual figures in aesthetics from the beginning of the eighteenth century to the middle of the twentieth

keywords modern aesthetics history of aesthetics analytical aesthetics historical figures

a history of modern aesthetics volume 1 the eighteenth - Feb 26 2022

web find many great new used options and get the best deals for a history of modern aesthetics volume 1 the eighteenth century by paul guyer paperback 2018 at the best online prices at ebay free delivery for many products

a history of modern aesthetics volume 1 the eighteenth - Jun 01 2022

web a history of modern aesthetics volume 1 the eighteenth century guyer paul on amazon com au free shipping on eligible orders a history of modern aesthetics volume 1 the eighteenth century

a history of modern aesthetics cambridge university press - Jul 14 2023

web a history of modern aesthetics search within full text this is a three volume set the contents of all three volumes are listed here get access cited by 1 paul guyer brown university rhode island publisher cambridge university press online

publication date june 2015 print publication year 2014 online isbn 9781107110342

bibliography a history of modern aesthetics - Jan 28 2022

web google scholar turnbull george a treatise of ancient painting containing observations on the rise progress and decline of that art amongst the greeks and romans the high opinion which the great men of antiquity had of it its connexion with poetry and philosophy and the use that may be made of it in education

a history of modern aesthetics volume 1 the eighteenth century - Nov 06 2022

web sep 6 2018 a history of modern aesthetics narrates the history of philosophical aesthetics from the beginning of the eighteenth century through the twentieth century

a history of modern aesthetics volume 1 the eighteenth - Oct 05 2022

web a history of modern aesthetics volume 1 the eighteenth century guyer professor paul amazon com tr kitap

a history of modern aesthetics volume 1 the eighteenth century v 1 - Aug 03 2022

web a history of modern aesthetics narrates the history of philosophical aesthetics from the beginning of the eighteenth century through the twentieth century read more isbn 13

9781108733816 a history of modern aesthetics volume 1 the - Jul 02 2022

web abebooks com a history of modern aesthetics volume 1 the eighteenth century 9781108733816 by guyer paul and a great selection of similar new used and collectible books available now at great prices

a history of modern aesthetics volume 1 the eighteenth century v 1 - Jun 13 2023

web a history of modern aesthetics narrates the history of philosophical aesthetics from the beginning of the eighteenth century through the twentieth century

a history of modern aesthetics the eighteenth century - Apr 11 2023

web this opening volume of a history of modern aesthetics recounts how philosophers in britain france and germany developed these new approaches and searched for ways to combine them with the cognitivism of traditional aesthetics a history of modern aesthetics narrates the history of philosophical aesthetics from the beginning of the

handbook of separation process technology edited by - Apr 03 2022

the definitive reference for more than half a century updated for the first time in more than a decade since 1934 perry s chemical engineer s handbook has delivered unrivaled state of the art coverage of all aspects of chemical engineering from the fundamentals to details on computer applications and control

handbook of separation techniques for chemical engineers - Jun 05 2022

dec 7 2022 handbook of separation techniques for chemical engineers 1979 mcgraw hill in english 007055790x 9780070557901 aaaa

handbook of separation techniques for chemical engineers - Oct 09 2022

nov 28 1988 handbook of separation techniques for chemical engineers philip a schweitzer 4 00 4 ratings1 review all in one database of 38 proven separation techniques helps you design efficient cost effective systems the first time every time batch distillation problems solved melt crystallization techniques that save time and money

handbook of separation techniques for chemical engineers - May 16 2023

nov 23 2020 imported from scriblio marc record handbook of separation techniques for chemical engineers by philip a schweitzer 1997 mcgraw hill edition in english 3rd ed

handbook of separation techniques for chemical engineers - Jan 12 2023

the book offers a complete compilation of techniques for separating liquid liquid mixtures liquids with dissolved solids gas vapour mixtures solid liquid mixtures and gas solid mixtures including over 60 new and revised material it covers new techniques such as melt crystallization solid solid separations and barrier infiltration of hot

handbook of separation techniques for chemical engineers - Mar 14 2023

handbook of separation techniques for chemical engineers philip a schweitzer google books handbook of separation techniques for chemical engineers philip a schweitzer mcgraw hill 1988

handbook of separation techniques for chemical engineers - Dec 11 2022

this solutions oriented book explains in detail all the industrially accepted techniques for separating chemicals from one another without the use of chemical reactions look to this book for every method of dealing with every mixture including liquid liquid liquids with dissolved solids liquid solid solid solid gas liquid and gas solid

handbook of separation techniques for chemical engineers - Feb 13 2023

feb 1 1997 handbook of separation techniques for chemical engineers 3rd edition by philip a schweitzer author 5 0 2 ratings see all formats and editions hardcover 136 56 4 used from 136 56 1 new from 147 95 all in one database of 38 proven separation techniques helps you design efficient cost effective systems the first time every time

handbook of separation techniques for chemical engineers - Aug 07 2022

this is one of the first steps for design engineers making a first pass calculation of separation equipment the book is well organized it is divided according to elements part 1 liquid liquid mixtures part 2 liquids with dissolved solids part 3 gas liquid mixtures part 4 solid liquid mixtures part 5 solid mixtures and

handbook of separation techniques for chemical engineers - Jul 18 2023

handbook of separation techniques for chemical engineers philip a schweitzer google books the book offers a complete compilation of techniques for separating liquid liquid mixtures

chemical engineering separations a handbook for students - Nov 10 2022

aug 25 2021 chemical engineering separations a handbook for students monica lamm and laura jarboe download this book

chemical engineering separations a handbook for students is intended for use by undergraduate students who are taking a course in chemical engineering separations

chemical engineering separations a handbook for students - Feb 01 2022

chemical engineering separations a handbook for students is intended for use by undergraduate students who are taking a course in chemical engineering separations the handbook assumes that students have taken one or two semesters of chemical engineering thermodynamics one semester of heat and mass transfer and one semester of computational

chemical engineering separations a handbook for students - Sep 20 2023

transfer and one semester of computational methods for chemical engineering the purpose of this handbook is to introduce students to chemical engineering separations in a way that most closely aligns with what most entry level chemical engineers will do in the workplace most newly hired chemical engineers will be responsible for monitoring

handbook of separation techniques for chemical engineers - Mar 02 2022

this handbook has been designed to provide the chemical engineer with sufficient information to evaluate which technique is best suited for his or her specific requirements and then by means of illustrative problems to show how the theory is applied

handbook of separation techniques for chemical engineers - Sep 08 2022

feb 1 1997 chemistry materials science engineering continuous distillation separation of binary mixtures continuous distillation separation of multi component mixtures batch distillation steam distillation stripping design of tray columns solvent recovery air stripping liquid liquid extraction commercial liquid liquid extraction decantation ion

handbook of separation techniques for chemical engineers philip - Aug 19 2023

handbook of separation techniques for chemical engineers philip a schweitzer editor in chief 1 093 pages 42 50 mcgraw hill new york 1979 stavenger 1980 aiche journal

handbook of separation techniques for chemical engineers - Apr 15 2023

handbook of separation techniques for chemical engineers philip a schweitzer google books all in one database of 38 proven separation techniques helps you design efficient

handbook of separation techniques for chemical engineers - Jun 17 2023

handbook of separation techniques for chemical engineers publication date 1988 topics separation technology handbooks manuals etc publisher new york mcgraw hill collection inlibrary printdisabled internetarchivebooks digitizing sponsor kahle austin foundation contributor internet archive language english 1 188 in various pagings 24 cm

handbook of separation techniques for chemical engineers - May 04 2022

this solutions oriented book explains in detail all the industrially accepted techniques for separating chemicals from one another without the use of chemical reactions look to this book for every method of dealing with every mixture including

liquid liquid liquids with dissolved solids liquid solid solid solid gas liquid and gas solid

handbook of separation techniques for chemical engineers - Jul 06 2022

handbook of separation techniques for chemical engineers author philip a schweitzer summary no matter what separation problem chemical engineers can rely on the new edition of this handbook for information about the techniques that answer their need liquid liquid mixtures gas vapour mixtures or gas solid mixtures and more

le bruxellois sans interdits cannabinoidxchange com - Oct 25 2022

web décisions notables du tribunal d appel de bruxelles jan 02 2023 conférence de bruxelles apr 12 2021 revue de l université de bruxelles dec 09 2020 le bruxellois sans

le bruxellois sans interdits 2ème édition by francis wanet - Aug 11 2021

philippe albert revient sur le succès probant d anderlecht le - Jan 28 2023

web avec une belle volonté pédagogique des tas de petites notations sur les moeurs c est la garantie d acquérir un bagage linguistique dérivé d une méthode qui a fait ses preuves

le bruxellois sans interdits 2ème édition by francis wanet - Apr 30 2023

web may 20 2023 le bruxellois sans interdits by guides de poche assimil entre le 26 septembre et le 9 octobre 2017 le bureau d étude ipsos a interrogé 1003 bruxellois

le bruxellois sans interdits uniport edu ng - Jul 22 2022

web apr 5 2023 le bruxellois sans interdits 3 3 downloaded from uniport edu ng on april 5 2023 by guest histoire de la ville de bruxelles alexandre henne 1845 le guide musical

etre libre ce n est pas être en libre service libération - Feb 26 2023

web 4 hours ago la une le fil info commentaires partager accueil sports football football belge philippe albert revient sur le succès probant d anderlecht au cercle les

philippe albert revient sur la performance de l union le soir - Dec 15 2021

web aug 19 2023 le bruxellois sans interdits 2ème édition by francis wanet pascal deux ans en prison je me dfonais avec la fiole de la grand place de bruxelles patrimoine

le bruxellois youtube - Feb 14 2022

web la carte celego de gemalto va permettre à plus de 400 000 bruxellois de bénéficier de la rapidité et de la commodité du sans contact dans le métro les bus et tramways

le bruxellois sans interdits by guides de poche assimil - Mar 30 2023

web 1 day ago la chanteuse et comédienne réagit aux photos d elle et de fabien galthié publiées sans son consentement en

une de voici elle appelle à ce que ces

le bruxellois sans interdits 2ème édition by francis wanet - Jul 02 2023

web le bruxellois sans interdits l organisation du travail à bruxelles au xve siècle six cent vingt huit e huit

le bruxellois sans interdits pdf download tristonjerzy - Nov 25 2022

web le bruxellois sans interdits francis wanet 2002 01 01 pourquoi un manuel d argot parce que l argot fait partie du patrimoine culturel d un peuple parce que non content

le bruxellois sans interdits pdf bukuclone ortax org - Sep 04 2023

web may 20 2023 covid 19 les asbl ne sont pas la priorit du le bruxellois sans interdits langue de base franais le magazine nature amp environnement des bruxelloises 77

le bruxellois sans interdits help environment harvard edu - Sep 23 2022

web sep 16 2023 le bruxellois sans interdits 1 4 downloaded from uniport edu ng on september 16 2023 by guest le bruxellois sans interdits this is likewise one of the

le bruxellois sans interdits ftp dartgo - Jun 01 2023

web le bruxellois sans interdits 2ème édition by francis wanet cancrogne le roundup monsanto attaque les chercheurs calamo la terreur sous le directoire histoire de la

le bruxellois sans interdits uniport edu ng - Jun 20 2022

web le bruxellois sans interdits par assimil broché 98 pages édition de 2002 langue s français éditeur assimil collection évacion isbn 9074996558 parce que vous ne

bruxellois traduction anglaise linguee - Jan 16 2022

web 1 hour ago notre consultant philippe albert a vécu une rencontre mémorable au parc duden où l union virevoltante a enfin vaincu sa bête noire brugeoise le sporting lui

le bruxellois sans interdits 2ème édition by francis wanet - Nov 13 2021

web may 23 2023 francis wanet le bruxellois sans interdits assimil benelux bruxelles 2002 98 pages isbn 90 74996 55 8 gees lebouc dictionnaire du bruxellois Éditions le cri

le bruxellois sans interdits assimil bibliomania - May 20 2022

web le bruxellois sans interdits door assimil paperback 98 bladzijden uitgave 2002 taal talen frans uitgever assimil collectie évacion isbn 9074996558 parce que

le bruxellois sans interdits ftp bonide com - Sep 11 2021

web le bruxellois sans interdits 2ème édition by francis wanet le bruxellois sans interdits 2ème édition by francis wanet traitdunion la frappe en belgique occup e yumpu le

le bruxellois sans interdits by guides de poche assimil - Oct 13 2021

web le bruxellois sans interdits bruxelles à travers les âges le guide musical décisions notables du tribunal d appel de bruxelles affaire relative à certains aspects du régime

le bruxellois sans interdits by guides de poche assimil - Aug 03 2023

web oct 3 2023 apprendimento delle regole ortografiche con parole frasi e brani ed evitare gli errori ricorrenti le bruxellois sans interdits pdf professione astronauta oflags be

le bruxellois sans interdits assimil bibliomania - Apr 18 2022

web apr 6 2012 ce que disent les bruxellois la suite dis shit brusselians say the sequel fieu sophie frison cathy immelen thomas ancora derc hen coster clément

ce que disent les bruxellois la suite dis youtube - Mar 18 2022

web oct 15 2013 about press copyright contact us creators advertise developers terms privacy policy safety how youtube works test new features nfl sunday ticket

le bruxellois sans interdits poche francis wanet livre tous - Dec 27 2022

web 12 sermons sur le christ pdf download 15 minutes par jour pour apprendre l espagnol pdf download 2 minutes d anglais aux toilettes pdf download 72545 plan de

le bruxellois sans interdits uniport edu ng - Aug 23 2022

web mar 9 2023 le bruxellois sans interdits 2 5 downloaded from uniport edu ng on march 9 2023 by guest actes de la conférence de bruxelles brussels belgium conférence

le bruxellois sans interdits langue de base français - Oct 05 2023

web le bruxellois sans interdits pdf upload herison o hayda 2 11 downloaded from bukuclone ortax org on september 2 2023 by herison o hayda annuaire de la