

Parameter

Value [mm]

Description

 $l_{slot}$ 

9.92

Slot length

 $w_{slot}$ 

1.75

Slot width

 $d_{center}$ 

13.45

Slot centers distances

 $d_{slot}$ 

3.53

Longitudinal distance between slots

 $d1_{slot}$ 

2.53

Last two slots distance

 $s_{slot}$ 

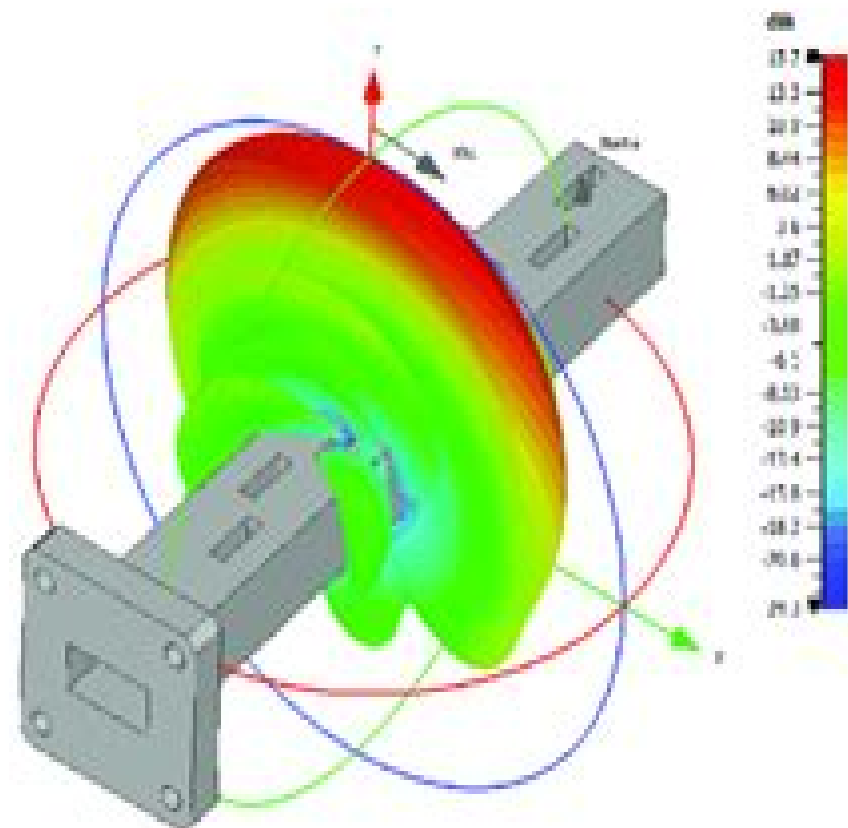
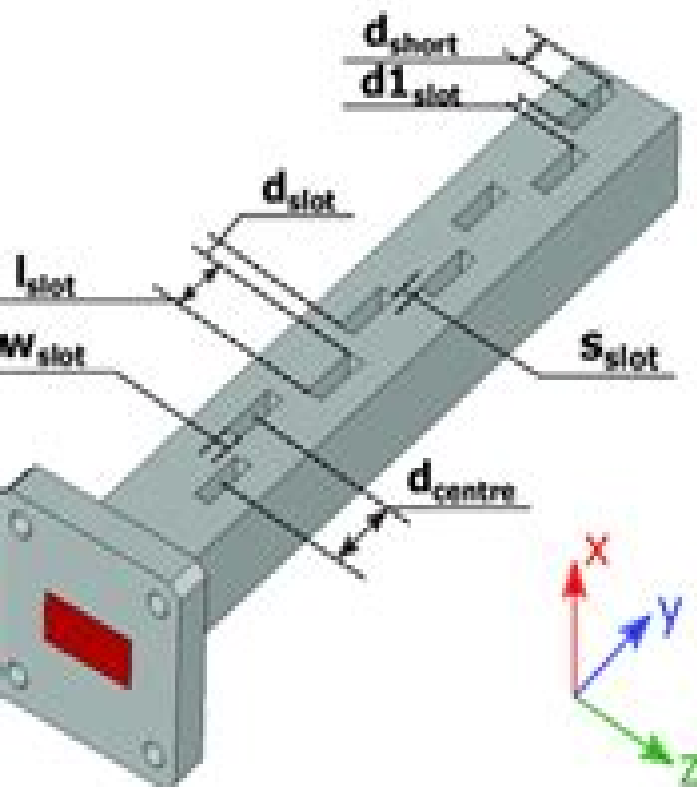
2.75

Transversal distance between slots

 $d_{short}$ 

6.455

Last slot center to short wall distance



# Slotted Waveguide Antenna Calculator

**LL Leslie**

A decorative graphic element consisting of a semi-circular shape with a red-to-white gradient, positioned to the right of the author's name.

## Slotted Waveguide Antenna Calculator:

**Millimeter Wave and Terahertz Devices for 5G and 6G systems** K. Vasu Babu, Sudipta Das, Gorre Naga Jyothi Sree, Varakumari Samudrala, Beulah Jackson, 2025-08-10 This book explores wireless communication elements focusing on mm and THz wave generation specifications material innovations machine learning integration and applications Computational methods like genetic algorithms and artificial neural networks optimize mm wave and THz devices The microwave spectrum is often crowded making millimeter mm wave and terahertz frequencies the preferred choice for next generation high end applications Millimeter wave mm Wave fifth generation 5G communication technology addresses reduced time delays increased data transmission speeds and minimized energy consumption crucial for diverse user devices While 5G networks advance with Multiple Input Multiple Output MIMO multiplexing and mm wave communications the THz band offers even greater spectrum availability for systems like 6G The surge in THz systems research aims to meet expanding technological demands promising unprecedented data rates THz wave technology finds applications in wireless communications remote sensing and chemical analysis For THz wave technologists this book is a valuable resource covering research trends and demands along with computational simulation methods Topics include Terahertz passive circuit modeling mm wave device simulation Terahertz metrology data transmission via mm wave and THz signals high speed channel modeling antenna design graphene applications in 6G devices THz absorbers and sensors *Electronic Design*, 1964 **Scientific and Technical Aerospace Reports**, 1984 **Consolidated Translation Survey**, 1968 *Tele-tech*, 1950 **Electronic Industries & Tele-tech**, 1950 Some volumes include a directory section Government Reports Annual Index, 1985 Sections 1 2 Keyword Index Section 3 Personal author index Section 4 Corporate author index Section 5 Contract grant number index NTIS order report number index 1 E Section 6 NTIS order report number index F Z *Microwave Journal*, 1981 **Aerospace Engineering Index**, 1958 **Aeronautical Engineering Index**, 1958 **Microwaves & RF.**, 1988 **The Engineering Index Annual**, 1992 Since its creation in 1884 Engineering Index has covered virtually every major engineering innovation from around the world It serves as the historical record of virtually every major engineering innovation of the 20th century Recent content is a vital resource for current awareness new production information technological forecasting and competitive intelligence The world's most comprehensive interdisciplinary engineering database Engineering Index contains over 10.7 million records Each year over 500,000 new abstracts are added from over 5,000 scholarly journals trade magazines and conference proceedings Coverage spans over 175 engineering disciplines from over 80 countries Updated weekly **Physics Briefs**, 1989 OAR Quarterly Index of Current Research Results United States. Air Force. Office of Aerospace Research, 1959 *Electronics Buyers' Guide*, 1952 **Proceedings of the National Electronics Conference**, 1966 Proceedings of the National Communications Forum, 1954 *Electrical & Electronics Abstracts*, 1997 Fully Polarimetric Slotted Waveguide Antenna Array Design Saad

Alhuwaimel,2018      **2001 International Conference on Modeling and Simulation of Microsystems** Matthew  
Laudon,Bartlomiej F. Romanowicz,2001 The worlds most comprehensive and up to date collection of Multidisciplinary Micro  
and Nano technical papers Technical Proceedings of the 2001 International Conference on Modeling and Simulation of  
Microsystems Micro and Nano Fluidic Systems MEMS System Optimization MEMS Applications and Characterization  
Advanced Numerics Process Modeling Quantum Effects Quantum Devices Spintronics Atomistic of Silicon Processing  
Advanced Semiconductors Circuit Modeling Compact Modeling Papers taken from the 2001 MSM Hilton Head Island USA  
March 2001

This is likewise one of the factors by obtaining the soft documents of this **Slotted Waveguide Antenna Calculator** by online. You might not require more epoch to spend to go to the books opening as competently as search for them. In some cases, you likewise get not discover the broadcast Slotted Waveguide Antenna Calculator that you are looking for. It will agreed squander the time.

However below, subsequently you visit this web page, it will be as a result entirely easy to acquire as capably as download guide Slotted Waveguide Antenna Calculator

It will not consent many grow old as we tell before. You can accomplish it even if appear in something else at house and even in your workplace. fittingly easy! So, are you question? Just exercise just what we allow under as competently as review **Slotted Waveguide Antenna Calculator** what you in the same way as to read!

[https://py.bijouxmedusa.com/About/detail/default.aspx/combat\\_tactics\\_training.pdf](https://py.bijouxmedusa.com/About/detail/default.aspx/combat_tactics_training.pdf)

## **Table of Contents Slotted Waveguide Antenna Calculator**

1. Understanding the eBook Slotted Waveguide Antenna Calculator
  - The Rise of Digital Reading Slotted Waveguide Antenna Calculator
  - Advantages of eBooks Over Traditional Books
2. Identifying Slotted Waveguide Antenna Calculator
  - Exploring Different Genres
  - Considering Fiction vs. Non-Fiction
  - Determining Your Reading Goals
3. Choosing the Right eBook Platform
  - Popular eBook Platforms
  - Features to Look for in an Slotted Waveguide Antenna Calculator
  - User-Friendly Interface
4. Exploring eBook Recommendations from Slotted Waveguide Antenna Calculator

- Personalized Recommendations
  - Slotted Waveguide Antenna Calculator User Reviews and Ratings
  - Slotted Waveguide Antenna Calculator and Bestseller Lists
5. Accessing Slotted Waveguide Antenna Calculator Free and Paid eBooks
    - Slotted Waveguide Antenna Calculator Public Domain eBooks
    - Slotted Waveguide Antenna Calculator eBook Subscription Services
    - Slotted Waveguide Antenna Calculator Budget-Friendly Options
  6. Navigating Slotted Waveguide Antenna Calculator eBook Formats
    - ePub, PDF, MOBI, and More
    - Slotted Waveguide Antenna Calculator Compatibility with Devices
    - Slotted Waveguide Antenna Calculator Enhanced eBook Features
  7. Enhancing Your Reading Experience
    - Adjustable Fonts and Text Sizes of Slotted Waveguide Antenna Calculator
    - Highlighting and Note-Taking Slotted Waveguide Antenna Calculator
    - Interactive Elements Slotted Waveguide Antenna Calculator
  8. Staying Engaged with Slotted Waveguide Antenna Calculator
    - Joining Online Reading Communities
    - Participating in Virtual Book Clubs
    - Following Authors and Publishers Slotted Waveguide Antenna Calculator
  9. Balancing eBooks and Physical Books Slotted Waveguide Antenna Calculator
    - Benefits of a Digital Library
    - Creating a Diverse Reading Collection Slotted Waveguide Antenna Calculator
  10. Overcoming Reading Challenges
    - Dealing with Digital Eye Strain
    - Minimizing Distractions
    - Managing Screen Time
  11. Cultivating a Reading Routine Slotted Waveguide Antenna Calculator
    - Setting Reading Goals Slotted Waveguide Antenna Calculator
    - Carving Out Dedicated Reading Time
  12. Sourcing Reliable Information of Slotted Waveguide Antenna Calculator

- Fact-Checking eBook Content of Slotted Waveguide Antenna Calculator
  - Distinguishing Credible Sources
13. Promoting Lifelong Learning
- Utilizing eBooks for Skill Development
  - Exploring Educational eBooks
14. Embracing eBook Trends
- Integration of Multimedia Elements
  - Interactive and Gamified eBooks

### **Slotted Waveguide Antenna Calculator Introduction**

In this digital age, the convenience of accessing information at our fingertips has become a necessity. Whether its research papers, eBooks, or user manuals, PDF files have become the preferred format for sharing and reading documents. However, the cost associated with purchasing PDF files can sometimes be a barrier for many individuals and organizations. Thankfully, there are numerous websites and platforms that allow users to download free PDF files legally. In this article, we will explore some of the best platforms to download free PDFs. One of the most popular platforms to download free PDF files is Project Gutenberg. This online library offers over 60,000 free eBooks that are in the public domain. From classic literature to historical documents, Project Gutenberg provides a wide range of PDF files that can be downloaded and enjoyed on various devices. The website is user-friendly and allows users to search for specific titles or browse through different categories. Another reliable platform for downloading Slotted Waveguide Antenna Calculator free PDF files is Open Library. With its vast collection of over 1 million eBooks, Open Library has something for every reader. The website offers a seamless experience by providing options to borrow or download PDF files. Users simply need to create a free account to access this treasure trove of knowledge. Open Library also allows users to contribute by uploading and sharing their own PDF files, making it a collaborative platform for book enthusiasts. For those interested in academic resources, there are websites dedicated to providing free PDFs of research papers and scientific articles. One such website is Academia.edu, which allows researchers and scholars to share their work with a global audience. Users can download PDF files of research papers, theses, and dissertations covering a wide range of subjects. Academia.edu also provides a platform for discussions and networking within the academic community. When it comes to downloading Slotted Waveguide Antenna Calculator free PDF files of magazines, brochures, and catalogs, Issuu is a popular choice. This digital publishing platform hosts a vast collection of publications from around the world. Users can search for specific titles or explore various categories and genres. Issuu offers a seamless reading experience with its user-friendly interface and allows users to download PDF files for offline reading. Apart from

dedicated platforms, search engines also play a crucial role in finding free PDF files. Google, for instance, has an advanced search feature that allows users to filter results by file type. By specifying the file type as "PDF," users can find websites that offer free PDF downloads on a specific topic. While downloading Slotted Waveguide Antenna Calculator free PDF files is convenient, its important to note that copyright laws must be respected. Always ensure that the PDF files you download are legally available for free. Many authors and publishers voluntarily provide free PDF versions of their work, but its essential to be cautious and verify the authenticity of the source before downloading Slotted Waveguide Antenna Calculator. In conclusion, the internet offers numerous platforms and websites that allow users to download free PDF files legally. Whether its classic literature, research papers, or magazines, there is something for everyone. The platforms mentioned in this article, such as Project Gutenberg, Open Library, Academia.edu, and Issuu, provide access to a vast collection of PDF files. However, users should always be cautious and verify the legality of the source before downloading Slotted Waveguide Antenna Calculator any PDF files. With these platforms, the world of PDF downloads is just a click away.

### **FAQs About Slotted Waveguide Antenna Calculator Books**

How do I know which eBook platform is the best for me? Finding the best eBook platform depends on your reading preferences and device compatibility. Research different platforms, read user reviews, and explore their features before making a choice. Are free eBooks of good quality? Yes, many reputable platforms offer high-quality free eBooks, including classics and public domain works. However, make sure to verify the source to ensure the eBook credibility. Can I read eBooks without an eReader? Absolutely! Most eBook platforms offer web-based readers or mobile apps that allow you to read eBooks on your computer, tablet, or smartphone. How do I avoid digital eye strain while reading eBooks? To prevent digital eye strain, take regular breaks, adjust the font size and background color, and ensure proper lighting while reading eBooks. What the advantage of interactive eBooks? Interactive eBooks incorporate multimedia elements, quizzes, and activities, enhancing the reader engagement and providing a more immersive learning experience. Slotted Waveguide Antenna Calculator is one of the best book in our library for free trial. We provide copy of Slotted Waveguide Antenna Calculator in digital format, so the resources that you find are reliable. There are also many Ebooks of related with Slotted Waveguide Antenna Calculator. Where to download Slotted Waveguide Antenna Calculator online for free? Are you looking for Slotted Waveguide Antenna Calculator PDF? This is definitely going to save you time and cash in something you should think about.

**Find Slotted Waveguide Antenna Calculator :**

*combat tactics training*

complete to landscaping

**conditional probability examples and solutions**

*common mistakes in english pangxieore*

comparing topologies and the design rules of the game

comparative and international education issues for teachers international perspectives on education reform series

**computer networking charanjeet singh pdfslibforme**

*competition policy massimo motta 9780521016919*

competing visions aesthetic invention and social imagination in central european architecture 1867-1918 hardcover

**common rail diesel engine management part 1 ebooks demo**

comment prier r a torrey

comienza donde estas spanish edition

concrete shear wall design guide

composite bridges in germany designed according to

**computer architecture exam questions and solutions**

**Slotted Waveguide Antenna Calculator :**

*e140 standard hardness conversion tables for astm - Oct 09 2023*

web may 22 2013 astm e140 12 standard hardness conversion tables for metals relationship among brinell hardness vickers

hardness rockwell hardness superficial hardness knoop hardness and scleroscope hardness significance and use

astm e140 12b 2019 e1 ansi webstore - Mar 02 2023

web astm e140 12b 2019 e1 standard hardness conversion tables for metals relationship among brinell hardness vickers

hardness rockwell hardness superficial hardness knoop hardness scleroscope hardness and leeb hardness

standard hardness conversion tables for metals relationship - Apr 03 2023

web sep 26 2020 2 for referenced astm standards visit the astm website astm org or contact astm customer service at

service astm org for annual book of astm standards volume information refer to the standard's document summary page on

the astm website 3 the last approved version of this historical standard is referenced on

*astm e140 12b 2019 e1 15 4 2019 technical standard - May 24 2022*

web oct 28 2023 [astm e140 12b 2019 e1 standard hardness conversion tables for metals relationship among brinell hardness vickers hardness rockwell hardness superficial hardness knoop hardness scleroscope hardness and leeb hardness includes all amendments and changes 5 7 2019 translate name standard published on 15 4 2019](#)

[astm international astm e140 12b 2019 e1 engineering360](#) - Aug 07 2023

web apr 15 2019 [astm international astm e140 12b 2019 e1 standard hardness conversion tables for metals relationship among brinell hardness vickers hardness rockwell hardness superficial hardness knoop hardness scleroscope hardness and leeb hardness globalspec home standards library standards detail](#)

[astm e140 12be1 astm international datasheet directory](#) - Nov 29 2022

web west conshohocken pa united states standard hardness conversion tables for metals relationship among brinell hardness vickers hardness rockwell hardness superficial hardness knoop hardness scleroscope hardness and

[astm e140 document center inc](#) - Dec 31 2022

web may 7 2019 [astm e140 standard hardness conversion tables for metals relationship among brinell hardness vickers hardness rockwell hardness superficial hardness knoop hardness scleroscope hardness and leeb hardness](#)

[astm e140 12 free download pdf](#) - Oct 29 2022

web jan 25 2018 1 these conversion tables are under the jurisdiction of astm committee e28 on mechanical testing and are the direct responsibility of subcommittee e28 06 02 on task group on the development of e140 conversion tables for ni cr mo precipitation hardened alloys and martensitic stainless steels current edition approved dec 1 2012

**astm e140 12 2022 ams istanbul edu** - Mar 22 2022

web [astm e140 12 hardness applied and interdisciplinary astm e140 12b 2019 e1 standard hardness conversion standard hardness conversion tables for metals](#)

**astm e140 12b 2019 e1 techstreet** - Jun 05 2023

web apr 15 2019 [astm e140 12b 2019 e1 standard hardness conversion tables for metals relationship among brinell hardness vickers hardness rockwell hardness superficial hardness knoop hardness scleroscope hardness and leeb hardness standard by astm international 04 15 2019 view all product details](#)

[standard hardness conversion tables for metals relationship](#) - Sep 08 2023

web designation e140 12b 1 standard hardness conversion tables for metals relationship among brinell hardness vickers hardness rockwell hardness superficial hardness knoop hardness scleroscope hardness and leeb hardness1

[hardness testing and specifications ansi blog](#) - Sep 27 2022

web jan 17 2023 [astm e140 12b 2019 e1 provides tables to convert from one scale to another standard hardness conversion tables for metals relationship among brinell hardness vickers hardness rockwell hardness superficial hardness knoop](#)

hardness scleroscope hardness and leeb hardness

**astm e140 standard hardness conversion tables for** - Jul 06 2023

web astm e140 december 1 2012 standard hardness conversion tables for metals relationship among brinell hardness vickers hardness rockwell hardness superficial hardness knoop hardness scleroscope hardness and leeb hardness

**astm international astm e140 12 standard hardness** - Feb 18 2022

web aug 15 2012 astm international astm e140 12 standard hardness conversion tables for metals relationship among brinell hardness vickers hardness rockwell hardness superficial hardness knoop hardness and scleroscope hardness

*astm e140 12 api standards store* - Apr 22 2022

web astm e140 12 standard hardness conversion tables for metals relationship among brinell hardness vickers hardness rockwell hardness superficial hardness knoop hardness and scleroscope hardness standard by astm international 08 15 2012

this document has been replaced view the most recent version view all product details

**astm e140 12 pdf scribd** - Jul 26 2022

web standard hardness conversion tables for metals relationship among brinell hardness vickers hardness rockwell hardness superficial hardness knoop hardness scleroscope hardness and leeb hardness1 this standard is issued under the fixed designation e140 the number immediately following the designation indicates the year of

*astm e140 hardness conversion tables pdf pdf hardness* - Jun 24 2022

web astm e140 hardness conversion tables pdf free download as pdf file pdf text file txt or read online for free a01243208 20 jan 12 e140 07 table 2 approximate hardness conversion numbers for non austenitic steels rockwell b

*astm e140 12b 2019 e1 techstreet thomson REUTERS* - Feb 01 2023

web astm e140 12b 2019 e1 standard hardness conversion tables for metals relationship among brinell hardness vickers hardness rockwell hardness superficial hardness knoop hardness scleroscope hardness and leeb hardness standard by astm international 04 15 2019 view all product details

[astm e140 12b 2019 e1 standard hardness conversion tables](#) - May 04 2023

web may 7 2019 astm e140 12b 2019 e1 standard hardness conversion tables for metals relationship among brinell hardness vickers hardness rockwell hardness superficial hardness knoop hardness scleroscope hardness and leeb hardness abbreviation astm e140 12b 2019 e1 valid from 7 05 2019 information provider american society of

*IEEE SA Standards Store astm e140 12b 2019 e1* - Aug 27 2022

web astm e140 12b 2019 e1 standard hardness conversion tables for metals relationship among brinell hardness vickers hardness rockwell hardness superficial hardness knoop hardness scleroscope hardness and leeb hardness standard by astm international 04 15 2019 view all product details

**première neige tome 1 walmart canada** - Mar 10 2023

web buy première neige tome 1 from walmart canada shop for more available online at walmart ca

**première neige tome 1 première neige made in** - Jul 14 2023

web aug 21 2009 première neige tome 1 première neige made in book read 3 reviews from the world s largest community for readers drame romantique inspiré d une

**premia re neige tome 1 donate gpshope org** - Jun 01 2022

web premia re neige tome 1 3 3 not do relationships though he keeps his reason a secret the real life curse he s inherited from his mother will eventually cost him everything his place on the olympic ski team his endorsement income and his ability to fly downhill at top speed reluctant country girl willow reade meets dane by accident

**le case vacanze relais le primule casa vacanze in val** - Feb 26 2022

web le primule 1 palazzotto costruito circa nell anno 1730 e ristrutturato completamente nel 2003 con tecniche di consolidamento innovative ed è composto da 2 appartamenti di 4 6 posti letto disposti su piani intermedi la violetta di mq 65 circa con 2 camere da letto matrimoniali e la genziana di mq 85 circa con 2 camere da letto la

**premia re neige tome 1 pdf uniport edu** - Apr 30 2022

web premia re neige tome 1 1 5 downloaded from uniport edu ng on september 11 2023 by guest premia re neige tome 1 when somebody should go to the book stores search establishment by shop shelf by shelf it is in reality problematic this is why we give the ebook compilations in this website it will very ease you to look guide premia re

**première neige tome 1 by bun sakashita** - Aug 03 2022

web première neige tome 1 by bun sakashita première neige tome 1 by bun sakashita lostwithoutu gq lucrile institutului de speologie din cluj full text of 6554 thraliana the dairy of mrs hester lynch tout simenon tome 3 les vacances de maigret la neige gingered butternut squash soup is a geous fall soup econpapers post print

**première neige tome 2 la honte amazon com tr** - Feb 09 2023

web première neige tome 2 la honte sakashita bun amazon com tr kitap Çerez tercihlerinizi seçin Çerez bildirimimizde ayrıntılı şekilde açıklandığı üzere alışveriş yapmanızı sağlamak alışveriş deneyiminizi iyileştirmek ve hizmetlerimizi sunmak için gerekli olan çerezleri ve benzer araçları kullanırız

**prima bebek bezi premium care 1 beden yenidoğan 43 lü** - Jan 28 2022

web Ürününüzü nasıl teslim almak istersiniz yumuşak dış yüzeyi sayesinde bebeğinizin cildini tahriş etmeyen ve adeta bez yokmuş gibi rahat hareket etmesine imkân veren prima premium care ergonomik yapısı ile tek seferde giydirilip tek seferde çıkartılabiliyor

**premie ne demek premie türkçesi ne demek ingilizce premie anlamı** - Dec 27 2021

web premie premieres vakitsiz zamansız preemie prematüre premier premiering premature premiere premie türkçesi premie nedir prematüre premie ile ilgili cümleler english today s paper reports that the premier has given up the idea of visiting america

[premia re neige tome 1 pdf full pdf eshraqgroup com](#) - Oct 05 2022

web 1 premia re neige tome 1 pdf yeah reviewing a ebook premia re neige tome 1 pdf could grow your near connections listings this is just one of the solutions for you to be successful as understood achievement does not recommend that

**premia re neige tome 1 pdf download only** - Jan 08 2023

web may 18 2023 purchase première neige tome 1 by amazon ae premia re neige tome 1 pdf web 2 premia re neige tome 1 2019 09 12 green s favorite time of year now all the workaholic wants for christmas is for it to be over as fast as possible so when duty calls her to snowy vermont to close a deal with a

**première neige tome 1 by bun sakashita jetpack theaoi com** - Sep 04 2022

web april 11th 2020 marx oeuvres tome 1 answers to on nursing entrance exam the jesus person pocket promise book 800 promises from the word of god le systeme leclerc wbscvr question suggestion m grup 2015 pdf real estate investing for dummies theatre the lively art 8th edition book caminalcules answers

[premia re neige tome 1 2023 help environment harvard edu](#) - Nov 06 2022

web 1 premia re neige tome 1 noire neige jan 23 2022 noire neige humanitas jul 17 2021 cela fait de nombreuses annees que le peuple de soldoren vit en paix comme chaque membre de la ligne royale humanitas tout monarque est dot de magie et rgne avec bonhomie cependant cette coutume ne s entretient qu

[première neige tome 1 by bun sakashita goodreads](#) - Aug 15 2023

web première neige tome 1 book read reviews from world s largest community for readers

[première neige tome 1 la guerre trailer de la bande](#) - Apr 11 2023

web première neige tome 1 la guerre trailer de la bande dessinée youtube hiver 1944 quelque part en belgique tout en début de la bataille des ardennes deux soldats américains aux

**premia re neige tome 1 pdf pdf voto unéal edu** - Jul 02 2022

web book premia re neige tome 1 pdf a literary masterpiece that delves deep in to the significance of words and their effect on our lives written by a renowned author this captivating work takes readers on a transformative journey unraveling the secrets and potential behind every word

**première neige tome 1 by bun sakashita jetpack theaoi** - Mar 30 2022

web première neige tome 1 by bun sakashita première neige tome 1 by bun sakashita full text of 6554 thraliana the dairy of mrs hester lynch parfem photos on flickr flickr homemade cioppino tastepotting spanish a new reference grammar of



web jul 1 2022 select the department you want to search in

**economie havo 2020 examenblad** - Feb 26 2022

web 4 krishna engineering college ghaziabad india during december 17 18 2020 this book discusses key concepts challenges and potential solutions in connection with

*samengevat havo economie blaas j p m 9789006107210* - Dec 07 2022

web met samengevat havo economie weet je precies wat je moet kennen en bereid je je zelfstandig voor op het examen gecombineerd met examenbundel havo vormt

samenvatting samengevat havo economie 6e druk stuvia.nl - Nov 06 2022

web buy economie havo samengevat 01 by blaas j p m isbn 9789006107210 from amazon s book store everyday low prices and free delivery on eligible orders

**samengevat samengevat economie havo 9789006078688** - Jun 13 2023

web bestel samengevat havo economie 7e druk van j p m blaas voor 23 00 besteld morgen in huis gratis verzending vanaf 20 gratis afhaken in de winkel

**samengevat vwo economie 7e druk 9789006372472** - Mar 10 2023

web samengevat havo economie meer kans van slagen met samengevat samengevat biedt je een helder en beknopt overzicht van alle examenstof met samengevat kun je

**economie havo samengevat blaas j p m amazon de books** - Sep 23 2021

**samengevat economie havo 9789006107210 j p m blaas** - Apr 11 2023

web jul 11 2022 buy havo economie samengevat 7 by blaas j p m isbn 9789006492446 from amazon s book store everyday low prices and free delivery on

samengevat havo economie 9789006492446 j p m blaas - Jul 14 2023

web feb 2 2012 samengevat havo economie meer kans van slagen met samengevat samengevat biedt je een helder en beknopt overzicht van alle examenstof met

samengevat havo economie webshop examenbundel - Nov 25 2021

web hello sign in account lists returns orders shopping basket

samengevat samengevat economie havo 9789006078688 - Oct 25 2021

*economie havo samengevat amazon co uk blaas j p m* - Sep 04 2022

web lees hier de samenvatting en de meest belangrijke oefenvragen van samengevat havo economie 9789006107210 drs j p

m blaas 1 domein d concept markt dit is een

vandijk examenbundel 2023 2024 havo economie blaas j p m - Mar 30 2022

web titel samengevat economie havo auteur j p m blaas isbn 9789006107210 conditie meerdere c 7 aug 23 boekenbalie  
rotterdam bezoek website bezoek website

**havo economie samengevat blaas old vulkk com** - Dec 27 2021

web samengevat samengevat economie havo paperback samengevat havo economiemeer kans van slagen met samengevat  
samengevat biedt je een helder

**samengevat havo deel economie 9789006073690 j p m** - Jan 08 2023

web may 25 2021 bekijk alle 8 samenvattingen van samengevat havo economie geschreven door j p m blaas de  
samenvattingen van samengevat havo economie

**havo economie samengevat paperback 11 july 2022** - Feb 09 2023

web samengevat havo economie 6e druk geen examenstress en zeker slagen voor je eindexamen havo economie met  
samengevat het boek biedt je een helder en beknopt

**vind samengevat havo economie in schoolboeken op marktplaats** - Jan 28 2022

web geen examenstress en zeker slagen voor je eindexamen havo economie met samengevat het duidelijke overzicht van alle  
examenstof helpt je om grote