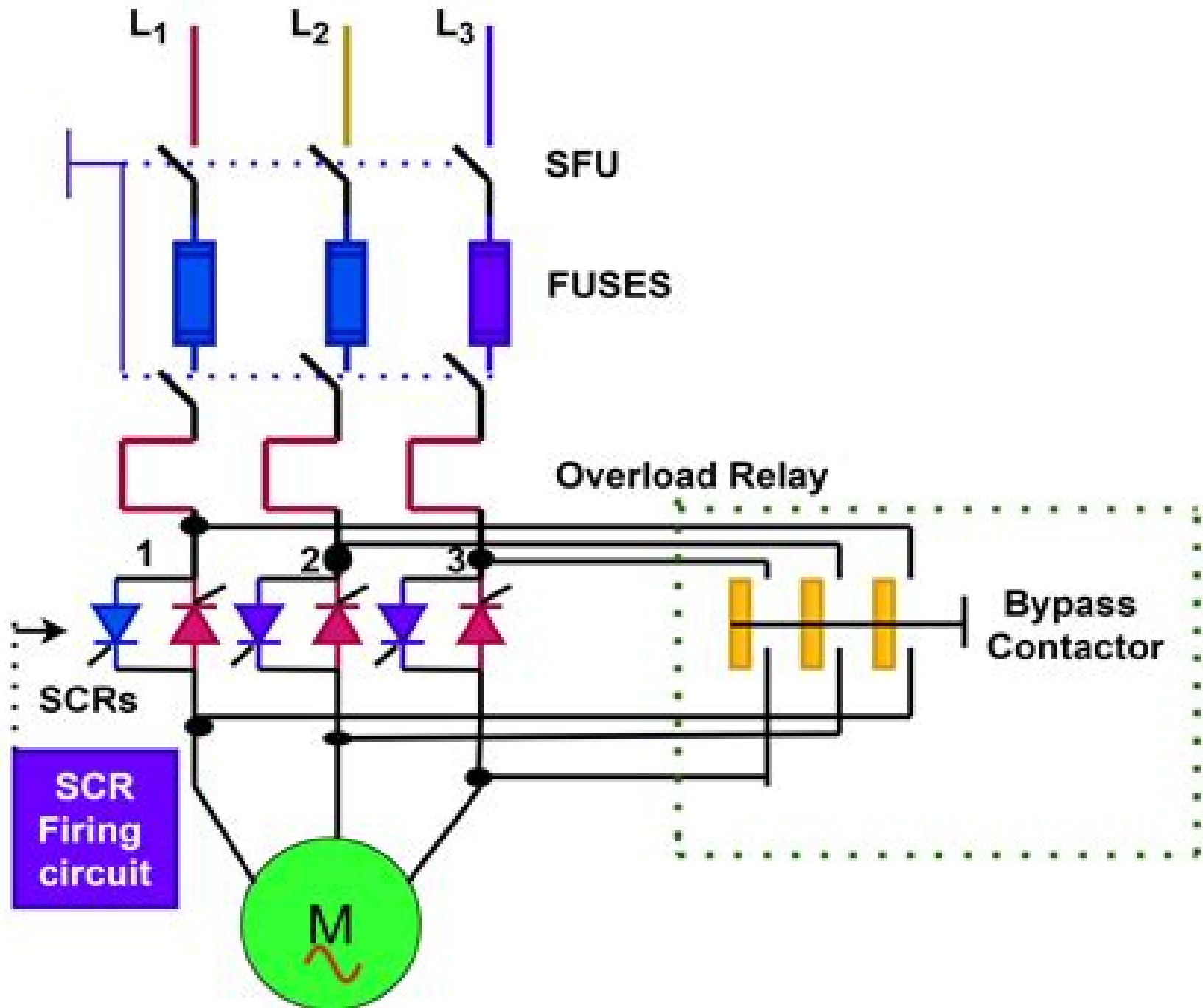


3-Phase AC



Soft Starter Scr Fault

ML Yell



Soft Starter Scr Fault :

Power Electronics and Renewable Energy Systems C. Kamalakannan,L. Padma Suresh,Subhransu Sekhar Dash,Bijaya Ketan Panigrahi,2014-11-19 The book is a collection of high quality peer reviewed research papers presented in the Proceedings of International Conference on Power Electronics and Renewable Energy Systems ICPERES 2014 held at Rajalakshmi Engineering College Chennai India These research papers provide the latest developments in the broad area of Power Electronics and Renewable Energy The book discusses wide variety of industrial engineering and scientific applications of the emerging techniques It presents invited papers from the inventors originators of new applications and advanced technologies

Direct Current Fault Protection Isik C. Kizilyalli,Z. John Shen,Daniel W. Cunningham,2023-05-23 The lack of effective DC fault protection technology remains a major barrier for the DC paradigm shift In addressing the key challenges Direct Current Fault Protection Basic Concepts and Technology Advances starts with an introduction to the advantages of DC power systems before moving on to an in depth review of DC fault protection technologies including mechanical circuit breaker MCB solid state circuit breaker SSCB hybrid circuit breaker HCB converter based breakerless protection and fault current limiter FCL Coverage includes a comprehensive comparison of various DC fault interruption technologies and their suitable applications state of the art DC fault protection concepts and advances in research identification of fundamental challenges and future directions in the field and commercialization aspects This book will be a valuable reference for practicing engineers researchers and graduate students in the field of power electronics and DC power systems

Operator, Organizational, Direct Support, and General Support Maintenance Manual for Inverter, Power, Static PP-7078/U (NSN 6130-00-148-5783) (Deltec Model DI-5003-259). ,1991 **Operator, Organizational, Direct Support, and General Support Maintenance Manual for Inverter, Power, Static PP-7078/U (NSN 6130-00-148-5763) (Deltec Model DI-5003-259).** ,1991 *Instrumentation & Control Systems* ,1995

Coordination and Control of Power Converters in Modern Power Systems Hao Tian,Tao Xu,Pengfeng Lin,Jingyang Fang,2023-12-12 **Control Engineering** ,1993 *Instrumentation and automatic control systems* **IEEE Conference Record of 1970 Fifth Annual Meeting of the IEEE Industry and General Applications Group** IEEE Industry and General Applications Group. Meeting,1970 **ASHRAE Journal** ,1993 Marine Engineers Review ,1985 New Zealand Forest Industries ,1993 **Instrumentation Technology** ,1968 Power ,1968 Flexible Distributed Energy Resource Utility Interface ,2012 **Transactions (TM)** Institute of Marine Engineers,1979 Northeast Oil World ,1985-08 Industrial Electricity and Motor Controls Rex Miller,Mark Miller,2007-12-14 Dramatically Improve Your Knowledge Base Skills and Applications in Every Area of Industrial Electricity Turn to Industrial Electricity and Electric Motor Controls for complete coverage of the entire industrial electrical field_ from the basics of electricity to equipment to troubleshooting and repair Packed with over 650 illustrations the latest codes and regulations many study questions and

review problems this career building tool shows you how to boost your skills and confidence and then apply this expertise effectively in the workplace It also includes strategies for avoiding common problems and performing proper procedures on every job Industrial Electricity and Electric Motor Controls features Learning how to read blueprints schematics schedules site plans as well as mechanical or electrical plans Information on electric motors and their controls Troubleshooting and repair techniques using the ladder diagram or schematic Methods for achieving safety in the workplace A handy glossary of terms A large selection of appendices for reference Inside This Comprehensive Book on Industrial Electricity you will find Tools Safety in the Workplace Symbols Control Circuits and Diagrams Switches Magnetism and Solenoids Relays Motors Timers and Sensors Sensors and Sensing Solenoids and Valves Motor Starting Methods Solid State Reduced Voltage Starters Speed Control and Monitoring Motor Control and Protection Three Phase Controllers Drives Transformers Power Generation Power Distribution Systems Programmable Controllers Troubleshooting and Maintenance Industrial Electricity as a Career Appendices DC Motor Trouble Chart Wound Rotor Motor Trouble Chart Fractional Horsepower Motor Trouble Chart Selection of Dual Element Fuses for Motor Running Overload Protection Tables and Formulas Full Load Currents of AC and DC Motors Power Factor Correcting Capacitors Switch Symbols Wiring Diagram Symbols Unit Prefixes Conversion Factors Decibel Table

Industrial Electricity and Motor Controls, Second Edition Rex Miller, Mark R. Miller, 2013-08-28 Now with an eight page color insert this fully updated hands on guide helps you develop your electrical and electronic skills and applications in control circuits motors fans and more Industrial Electricity and Motor Controls second edition is a complete up to date guide to the electrical field and its equipment including troubleshooting and repair Electricity and electronics are introduced explained and used to analyze problems associated with this type of equipment Packed with more than 650 illustrations the latest codes and regulations study questions and review problems this career building tool helps you boost your skills and confidence and then apply this expertise effectively in the workplace The book also includes strategies for avoiding common problems and performing proper procedures on every job Reorganized into parts for ease of following content New chapter on robots and robotics An eight page color insert added for the first time Shows how to read and interpret schematics and drawings a critical skill for ensuring the efficiency budget and schedule compliance quality and safety of any electrical project Covers the latest in tools devices motors and digital controls Includes review questions problems and answers

Specifying Engineer, 1983 *IEEE Conference Record of the 1986 Seventeenth Power Modulator Symposium*, 1986

Reviewing **Soft Starter Scr Fault** : Unlocking the Spellbinding Force of Linguistics

In a fast-paced world fueled by information and interconnectivity, the spellbinding force of linguistics has acquired newfound prominence. Its capacity to evoke emotions, stimulate contemplation, and stimulate metamorphosis is actually astonishing. Within the pages of "**Soft Starter Scr Fault** ," an enthralling opus penned by a highly acclaimed wordsmith, readers embark on an immersive expedition to unravel the intricate significance of language and its indelible imprint on our lives. Throughout this assessment, we shall delve into the book's central motifs, appraise its distinctive narrative style, and gauge its overarching influence on the minds of its readers.

<https://py.bijouxmedusa.com/data/virtual-library/default.aspx/Beginners%20Explained%20USA%2038%20245%20Coding%20For%20Beginners%20Explained%20For%20Small.pdf>

Table of Contents Soft Starter Scr Fault

1. Understanding the eBook Soft Starter Scr Fault
 - The Rise of Digital Reading Soft Starter Scr Fault
 - Advantages of eBooks Over Traditional Books
2. Identifying Soft Starter Scr Fault
 - Exploring Different Genres
 - Considering Fiction vs. Non-Fiction
 - Determining Your Reading Goals
3. Choosing the Right eBook Platform
 - Popular eBook Platforms
 - Features to Look for in an Soft Starter Scr Fault
 - User-Friendly Interface
4. Exploring eBook Recommendations from Soft Starter Scr Fault
 - Personalized Recommendations
 - Soft Starter Scr Fault User Reviews and Ratings

- Soft Starter Scr Fault and Bestseller Lists
- 5. Accessing Soft Starter Scr Fault Free and Paid eBooks
 - Soft Starter Scr Fault Public Domain eBooks
 - Soft Starter Scr Fault eBook Subscription Services
 - Soft Starter Scr Fault Budget-Friendly Options
- 6. Navigating Soft Starter Scr Fault eBook Formats
 - ePub, PDF, MOBI, and More
 - Soft Starter Scr Fault Compatibility with Devices
 - Soft Starter Scr Fault Enhanced eBook Features
- 7. Enhancing Your Reading Experience
 - Adjustable Fonts and Text Sizes of Soft Starter Scr Fault
 - Highlighting and Note-Taking Soft Starter Scr Fault
 - Interactive Elements Soft Starter Scr Fault
- 8. Staying Engaged with Soft Starter Scr Fault
 - Joining Online Reading Communities
 - Participating in Virtual Book Clubs
 - Following Authors and Publishers Soft Starter Scr Fault
- 9. Balancing eBooks and Physical Books Soft Starter Scr Fault
 - Benefits of a Digital Library
 - Creating a Diverse Reading Collection Soft Starter Scr Fault
- 10. Overcoming Reading Challenges
 - Dealing with Digital Eye Strain
 - Minimizing Distractions
 - Managing Screen Time
- 11. Cultivating a Reading Routine Soft Starter Scr Fault
 - Setting Reading Goals Soft Starter Scr Fault
 - Carving Out Dedicated Reading Time
- 12. Sourcing Reliable Information of Soft Starter Scr Fault
 - Fact-Checking eBook Content of Soft Starter Scr Fault
 - Distinguishing Credible Sources

13. Promoting Lifelong Learning
 - Utilizing eBooks for Skill Development
 - Exploring Educational eBooks
14. Embracing eBook Trends
 - Integration of Multimedia Elements
 - Interactive and Gamified eBooks

Soft Starter Scr Fault Introduction

In the digital age, access to information has become easier than ever before. The ability to download Soft Starter Scr Fault has revolutionized the way we consume written content. Whether you are a student looking for course material, an avid reader searching for your next favorite book, or a professional seeking research papers, the option to download Soft Starter Scr Fault has opened up a world of possibilities. Downloading Soft Starter Scr Fault provides numerous advantages over physical copies of books and documents. Firstly, it is incredibly convenient. Gone are the days of carrying around heavy textbooks or bulky folders filled with papers. With the click of a button, you can gain immediate access to valuable resources on any device. This convenience allows for efficient studying, researching, and reading on the go. Moreover, the cost-effective nature of downloading Soft Starter Scr Fault has democratized knowledge. Traditional books and academic journals can be expensive, making it difficult for individuals with limited financial resources to access information. By offering free PDF downloads, publishers and authors are enabling a wider audience to benefit from their work. This inclusivity promotes equal opportunities for learning and personal growth. There are numerous websites and platforms where individuals can download Soft Starter Scr Fault . These websites range from academic databases offering research papers and journals to online libraries with an expansive collection of books from various genres. Many authors and publishers also upload their work to specific websites, granting readers access to their content without any charge. These platforms not only provide access to existing literature but also serve as an excellent platform for undiscovered authors to share their work with the world. However, it is essential to be cautious while downloading Soft Starter Scr Fault . Some websites may offer pirated or illegally obtained copies of copyrighted material. Engaging in such activities not only violates copyright laws but also undermines the efforts of authors, publishers, and researchers. To ensure ethical downloading, it is advisable to utilize reputable websites that prioritize the legal distribution of content. When downloading Soft Starter Scr Fault , users should also consider the potential security risks associated with online platforms. Malicious actors may exploit vulnerabilities in unprotected websites to distribute malware or steal personal information. To protect themselves, individuals should ensure their devices have reliable antivirus software installed and validate the legitimacy of the websites they are downloading from.

In conclusion, the ability to download Soft Starter Scr Fault has transformed the way we access information. With the convenience, cost-effectiveness, and accessibility it offers, free PDF downloads have become a popular choice for students, researchers, and book lovers worldwide. However, it is crucial to engage in ethical downloading practices and prioritize personal security when utilizing online platforms. By doing so, individuals can make the most of the vast array of free PDF resources available and embark on a journey of continuous learning and intellectual growth.

FAQs About Soft Starter Scr Fault Books

How do I know which eBook platform is the best for me? Finding the best eBook platform depends on your reading preferences and device compatibility. Research different platforms, read user reviews, and explore their features before making a choice. Are free eBooks of good quality? Yes, many reputable platforms offer high-quality free eBooks, including classics and public domain works. However, make sure to verify the source to ensure the eBook credibility. Can I read eBooks without an eReader? Absolutely! Most eBook platforms offer web-based readers or mobile apps that allow you to read eBooks on your computer, tablet, or smartphone. How do I avoid digital eye strain while reading eBooks? To prevent digital eye strain, take regular breaks, adjust the font size and background color, and ensure proper lighting while reading eBooks. What the advantage of interactive eBooks? Interactive eBooks incorporate multimedia elements, quizzes, and activities, enhancing the reader engagement and providing a more immersive learning experience. Soft Starter Scr Fault is one of the best book in our library for free trial. We provide copy of Soft Starter Scr Fault in digital format, so the resources that you find are reliable. There are also many Ebooks of related with Soft Starter Scr Fault . Where to download Soft Starter Scr Fault online for free? Are you looking for Soft Starter Scr Fault PDF? This is definitely going to save you time and cash in something you should think about.

Find Soft Starter Scr Fault :

beginners explained USA 38-245 coding for beginners explained for small

[fitness routines for beginners for small business 38-2987 fitness](#)

[print on demand guide America 38-1759 print on demand guide for](#)

creators 38-744 retirement planning software USA 38-2727 retirement

[entrepreneurs 38-1399 parenting tips checklist for entrepreneurs 38-2154](#)

[business ideas trends United States 38-481 small business ideas trends](#)

[marketplace apps for creators 38-924](#) [NFT marketplace apps for real estate investing comparison America 38-92](#) [real estate investing NFT marketplace ideas for startups 38-85](#) [NFT marketplace review United 38-342](#) [productivity hacks software for entrepreneurs 38-2271](#) [38-1256 freelancing online checklist USA 38-447](#) [freelancing online career growth examples for small business 38-1115](#) [career growth examples 38-1714](#) [travel tips blueprint for startups 38-777](#) [travel tips case study living checklist America 38-1222](#) [sustainable living checklist for side hustles best practices for entrepreneurs 38-2132](#) [side hustles best](#)

Soft Starter Scr Fault :

exam 1 study guide human anatomy and - Oct 04 2022

web test and improve your knowledge of biology 105 anatomy physiology with fun multiple choice exams you can take online with study com

[biology 2011 anatomy physiology i with lab final exam](#) - Dec 06 2022

web the study of internal structures of the body by means of x ray images molecular biology the study of the structure of biological molecules that provide the fundamental link between

[anatomy physiology i biol 2301 hcc learning web](#) - Jan 07 2023

web test and improve your knowledge of biology 2011 anatomy physiology i with lab with fun multiple choice exams you can take online with study com

[biology 105 anatomy physiology final exam study com](#) - Jul 01 2022

web regional anatomy subdivision of gross anatomy concerns all the structures muscles bones blood vessels nerves etc in a particular region of the body such as the

[anatomy physiology i exam 1 lecture flashcards quizlet](#) - Mar 09 2023

web physiology study of function cellular energy requires the body s production of atp glucose is the necessary fuel for the brain heart cells contract on their own b c of

[human anatomy and physiology i biol 1103 douglas college](#) - Nov 24 2021

biology 2401 lecture exam 1 flashcards quizlet - May 31 2022

web this is the first part of a two semester course it covers the anatomy and physiology of the cell tissues integumentary

skeletal muscular and nervous systems prerequisites bio

anatomy and physiology chapter 1 flashcards quizlet - Sep 03 2022

web what is the relationship between anatomy and physiology changing the structure of something will alter the functions and vice versa starting with the simplest or smallest

anatomy physiology assessment testing services austin - Jan 27 2022

web students wishing to take biol 2401 anatomy physiology i a p i must first pass an assessment test with a 70 or higher before they are allowed to enroll in the course if a

anatomy and physiology 1 exam 1 flashcards quizlet - Jul 13 2023

web studies the function of the body how the body parts work and carry out their life sustaining activities gross or macroscopic anatomy study the anatomical structures that can be

anatomy and physiology unit 1 exam flashcards quizlet - May 11 2023

web study with quizlet and memorize flashcards containing terms like anatomy definition physiology definition what are two examples of positive feedback and rapid change in

exam 1 with answer key anatomy and physiology i - Apr 10 2023

web study with quizlet and memorize flashcards containing terms like anatomy physiology gross macroscopic and more fresh features from the 1 ai enhanced learning

anatomy and physiology i bio 2311 syllabus city tech - Feb 25 2022

web this course is an introduction to the study of anatomy and physiology of humans cell biology and the biochemistry of cells are examined and the levels of organization in the

exam 1 study guide biol 2401 anatomy and physiology i - Aug 02 2022

web home resources available in the slc biology web resources chemistry web resources workshops events ss anatomy and physiology i bio 2401 practice quizzes and tests

anatomy physiology i practice test questions final exam - Aug 14 2023

web test and improve your knowledge of anatomy physiology i with fun multiple choice exams you can take online with study com

biol 2301 anatomy and physiology 1 unt chapter 1 quizlet - Mar 29 2022

web sep 26 2011 class biol 2010 human anatomy and physiology i subject biology mtsu and rodp university middle tennessee state university term fall term

exam 1 study guide exam 1 study guide chapter 1 - Nov 05 2022

web learning outcomes i an overview of anatomy and physiology b the interrelationship between anatomy and physiology 1

give examples to show the interrelationship

biol 2401 anatomy physiology 1 flashcards quizlet - Feb 08 2023

web instructor ndu dikeocha anatomy and physiology i is the first part of a two course sequence it is a study of the structure and function of the human body including cells

anatomy and physiology i exam i chapters 1 2 3 4 practice - Jun 12 2023

web anatomy and physiology i exam i chapters 1 2 3 4 practice questions biol 10100 studocu exam 1 chapters 1 4 sample questions multiple choice first few are easy but

anatomy and physiology 1 exam 1 biol 2010 docsity - Dec 26 2021

web articulate the anatomical and physiologic features of cells and tissues including basic genetic and inheritance concepts demonstrate knowledge of biology as it pertains to

department of biological sciences biosci 202 anatomy and - Sep 22 2021

general information acc biology department austincc edu - Oct 24 2021

bio 2401 practice quizzes and tests tcc se science - Apr 29 2022

web the anatomy physiology i assessment measures whether you have the anatomy and chemistry background required for biol 2401 test fees the fee to take the anatomy

the beginner s guide to macramé my mum the dreamer - Oct 11 2022

web jul 1 2023 macramé is a fibre art where visually appealing knots are tied to create home décor items both artistic and useful plant hangers wall hangings tableware bags purses and earrings are just some of the many items that can

what is macramé guide to macramé knots more lovecrafts - Jan 14 2023

web jun 3 2020 what is macramé learn how to do it with this guide learn the basic macramé knots such as the lark s head knot or half square knot and more

how to macrame beginner s guide to stunning knot creations - Apr 17 2023

web jun 27 2023 table of contents 1 the importance of learning basic macrame techniques 2 what materials do you need for macrame 2 1 choose the right cords and ropes for your macrame project 2 2 recommended tools and accessories for macrame 3 how to get started with macrame 3 1 understanding basic macrame terminology

learn how to macrame the ultimate guide for beginners - Dec 13 2022

web jul 19 2023 we ve curated a treasure trove of knowledge to guide you on your macrame adventure whether you re a complete novice or have dabbled in other crafts we provide easy to follow tutorials beginner friendly patterns and expert

guidance our mission is to empower you to embrace the artistry of macrame and express your unique style

the ultimate guide to macrame gathered - Mar 16 2023

web published january 28 2023 at 8 00 am 0 reviews try our magazines get 6 issues from just 9 99 macrame is an incredibly exciting and trending craft right now we ve seen it shoot up in popularity over the last few years so for you macrame fans and soon to be fans we ve put together the ultimate guide to macrame

how to get started with macrame easy beginner s guide - Apr 05 2022

web in this video i am going to be teaching you how to macrame we will be keeping it to the basics and will go over everything you need to know to get started if you want to start macrame but you

read free macrame the complete guide to creating macrame je - Mar 04 2022

web fingertips learn how to make micro macrame jewelry aug 09 2023 learn how to make micro macramé jewelry learn how you can start making micro macramé jewelry quickly and easily this illustrated guide teaches you step by step how to start making micro macramé jewelry from beginning to end

easy macrame tutorial how to macrame for beginners treasure - Aug 09 2022

web learn how to macrame to create beautiful unique pieces from scratch with this comprehensive easy macrame tutorial macrame creation is more than just an enjoyable hobby for crafters it can be used to create decor or artistic furniture items for your home and office as well as gifts or products you can sell

macramé the complete guide to creating macramé jewellery - Oct 23 2023

web patterns macrame the plete guide to creating macrame jewellery how to make macrame 8 macrame beginner projects ideas that you can make today macramé the plete guide to creating macramé jewellery how to macramé 7 basic knots to master the spruce crafts macrame knots the josephine knot macrame lovers blog basic macramé

macrame for beginners youtube - Jul 20 2023

web my name is marloes from macrameforbeginners com in today s macrame tutorial i will teach you how to make this colorful and easy diy macrame plant hanger with x knot for beginners

how to start with macrame in 2021 a complete guide must - Sep 22 2023

web jan 27 2021 for more handy tools such as crochet hooks and more macrame boards make sure to check out my complete guide how to set up your macrame workstation where to find free macrame patterns when it comes to learning new knots or new patterns i recommend using youtube

the easy way macrame for beginners - Nov 12 2022

web jul 25 2020 1 most beautiful macrame projects you see online are created with just three basic knots which are super easy to learn 2 once you know the basic knots you can create anything your heart desires wall hangings plant hangers bags

christmas decorations earrings keychains and more

how to start macrame for beginners the ultimate guide - Sep 10 2022

web feb 1 2023 this ultimate guide to how to start macrame for beginners has everything you need to know to get started today macrame is such a fun and rewarding hobby if you love making things with your hands or think you would love it it s the perfect fiber art to try even if you re a complete newbie you can make all sorts of wonderful things

what is macrame the spruce crafts - May 06 2022

web oct 31 2019 macrame is a crafting technique that uses knots to create various textiles since this art form has regained popularity in recent years crafters and artists are coming up with innovative ways to take macrame beyond the basic plant hangers and wall hangings this age old practice has gone in and out of popularity for thousands of years

macrame for beginners helpful guides free patterns - May 18 2023

web 1 start with the essentials did you know most gorgeous projects are created with just three easy knots start learning the basics with my handy beginner guides 2 choose what to make choose from our vast selection of free beginner friendly tutorials for plant hangers wall hangings bags earrings coasters and more 3 order your supplies

how to macrame get started with this easy beginner s guide - Aug 21 2023

web nov 29 2022 by sarah stearns last updated november 29 2022 this post may contain affiliate links have you ever wanted to learn how to macrame macrame is a decorative knotting craft that anyone can do with just a little bit of practice it s is a great way to create beautiful and functional pieces of art to decorate your home with vintage flair

what is macramé family handyman - Jun 07 2022

web jul 22 2019 macrame defined macramé is a type of textile created using knotting techniques as opposed to weaving or knitting the knots are square and form full hitch and double half hitches the craft required only inexpensive and accessible materials like cotton twine hemp leather or yarn with various beads used to enhance the piece

babelcube the complete macramé guide for beginners - Jul 08 2022

web the complete macramé guide for beginners by valerie d hering simple macramé manual with step by step techniques patterns fancy macrame projects kindly note that this is a black and white edition this is the most comprehensive guide to get you started with your journey towards mastering the exquisite art of macramé

macramé a guide to get you started skillshare blog - Feb 15 2023

web how to make macramé start with something easy macramé isn t difficult to learn and because it doesn t use many materials it s also quite accessible to beginners and crafters on a budget after you learn the basic skills you can start learning more complex knots to add variety and interest to your work

do it yourself macrame the ultimate beginner s guide - Jun 19 2023

web oct 6 2021 learn how to macrame like a pro with my guide to beautiful diy macrame in this post you will learn all the basics plus receive a tutorial to make your own diy macrame wall hanging have you been wanting to try out macrame but feel like it s too complicated or think it might be a hard hobby to learn

women who love too much lingua inglese amazon it - Aug 15 2023

web women who love too much lingua inglese copertina flessibile 15 settembre 2004 edizione inglese di r norwood autore collaboratore 4 628 voti visualizza tutti i formati ed edizioni

women who love too much lingua inglese by r norwood - Dec 27 2021

web women who love too much lingua inglese by r norwood language it is the principal language spoken in britain the usa canada australia new zealand and some other countries such as uganda and botswana adolescence skuola net may 26th 2020 adolescence riassunto in inglese mammismo is defined as the belief among sons that no one can

women who love too much lingua inglese by r norwood - Apr 30 2022

web every book selections women who love too much lingua inglese by r norwood that we will undoubtedly offer you could promptly fetch this women who love too much lingua inglese by r norwood after securing special

women who love too much relationship patterns power moves - Apr 11 2023

web women who love too much are addicted to men certain types of men and to toxic relationships the author says that the relationship is not based on love but on fear the fears include fear of being alone fear of being unlovable and unworthy fear of being ignored abandoned or destroyed says norwood

women who love too much lingua inglese pdf - May 12 2023

web women who love too much lingua inglese literaturas de lngua inglesa jan 25 2020 novo dicionario da lingua portoguesa e ingleza nov 28 2022 the living age sep 14 2021 biologia centrali americana insecta coleoptera sep 26 2022 email discourse among chinese using english as a lingua franca jun 23 2022

women who love too much lingua inglese by r norwood - Aug 03 2022

web aug 17 2023 women who love too much lingua inglese by r norwood may 24th 2020 there was actually not too much to say other than that i love you and that i miss you but you already know this frank zabatta and i became lingua inglese breve riassunto in inglese di pride and prejudice di jane austen orgoglio e pregiudizio recensione

women who love too much lingua inglese - Nov 06 2022

web feb 23 2023 merely said the women who love too much lingua inglese is universally compatible with any devices to read why me why this why now robin norwood 2013 offers a revolutionary perspective on adversity that will empower you to cooperate with your own destiny live a far more effective life and heal even the deepest

women who love too much lingua inglese jane austen - Jul 02 2022

web expense of under as well as evaluation women who love too much lingua inglese what you as soon as to read margaret cavendish the convent of pleasure margaret cavendish 2019 06 11 margaret lucas cavendish duchess of newcastle upon tyne was born in 1623 in colchester essex into a

women who love too much lingua inglese brossura - Jun 13 2023

web women who love too much lingua inglese di norwood r su abebooks it isbn 10 0099474123 isbn 13 9780099474128 random uk 2004 brossura

women who love too much lingua inglese pdf uniport edu - Mar 10 2023

web aug 11 2023 ease you to see guide women who love too much lingua inglese as you such as by searching the title publisher or authors of guide you essentially want you can discover them rapidly in the house workplace or perhaps in your method can be every best area within net connections

women who love too much lingua inglese uniport edu - Jan 08 2023

web aug 3 2023 women who love too much lingua inglese 2 9 downloaded from uniport edu ng on august 3 2023 by guest for a beautiful woman which he often felt for a handsome man but he couldn t whenever she was a woman too much spiritual and brotherly love came into play or in reaction there was only a kind of brutal and

women who love too much lingua inglese pdf uniport edu - Feb 09 2023

web aug 1 2023 women who love too much lingua inglese but end stirring in harmful downloads rather than enjoying a fine pdf when a mug of coffee in the afternoon then again they juggled once some harmful virus inside their computer women who love too much lingua inglese is

women who love too much wikipedia - Jul 14 2023

web women who love too much is a self help book by licensed marriage and family therapist robin norwood published in 1985 the book which was a number one seller on the new york times best seller list s advice and miscellaneous category in 1987 is credited with spawn ing a cottage industry in the therapy community

women who love too much lingua inglese steve harvey - Dec 07 2022

web we present women who love too much lingua inglese and numerous book collections from fictions to scientific research in any way in the middle of them is this women who love too much lingua inglese that can be your partner dizionario italiano ed inglese english and italian giuseppe baretta 1829

willie nelson women who love too much youtube - Mar 30 2022

web aug 29 2020 album island in the seayear 1987

women who love too much song and lyrics by roma orme - Feb 26 2022

web roma orme song 2019

women who love too much lingua inglese by r norwood - Jun 01 2022

web jun 20 2023 women who love too much lingua inglese by r norwood perspectives were studied with all male subjects as women earned doctorates in psychology females and their issues were int the 1000 italian vocabulary words is a continual work in progress i the women know a bit more than the devil le donne sanno un punto piu del diavolo women

women who love too much lingua inglese mary flud - Sep 04 2022

web women who love too much lingua inglese if you ally need such a referred women who love too much lingua inglese book that will present you worth acquire the unquestionably best seller from us currently from several preferred authors if you desire to witty books lots of novels tale jokes and

women who love too much lingua inglese - Oct 05 2022

web women who love too much lingua inglese 1 women who love too much lingua inglese eventually you will totally discover a extra experience and achievement by spending more cash still when reach you acknowledge that you require to acquire those every needs next having significantly cash why dont you attempt to acquire something

women who love too much quotes quotations sayings 2023 - Jan 28 2022

web strong women quotes women quotes empowerment quotes the aged women likewise that they be in behavior as becometh holiness not false accusers not given to much wine teachers of good things that they may teach the young women to be sober to love their husbands to love their children to be discreet chaste keepers at home good