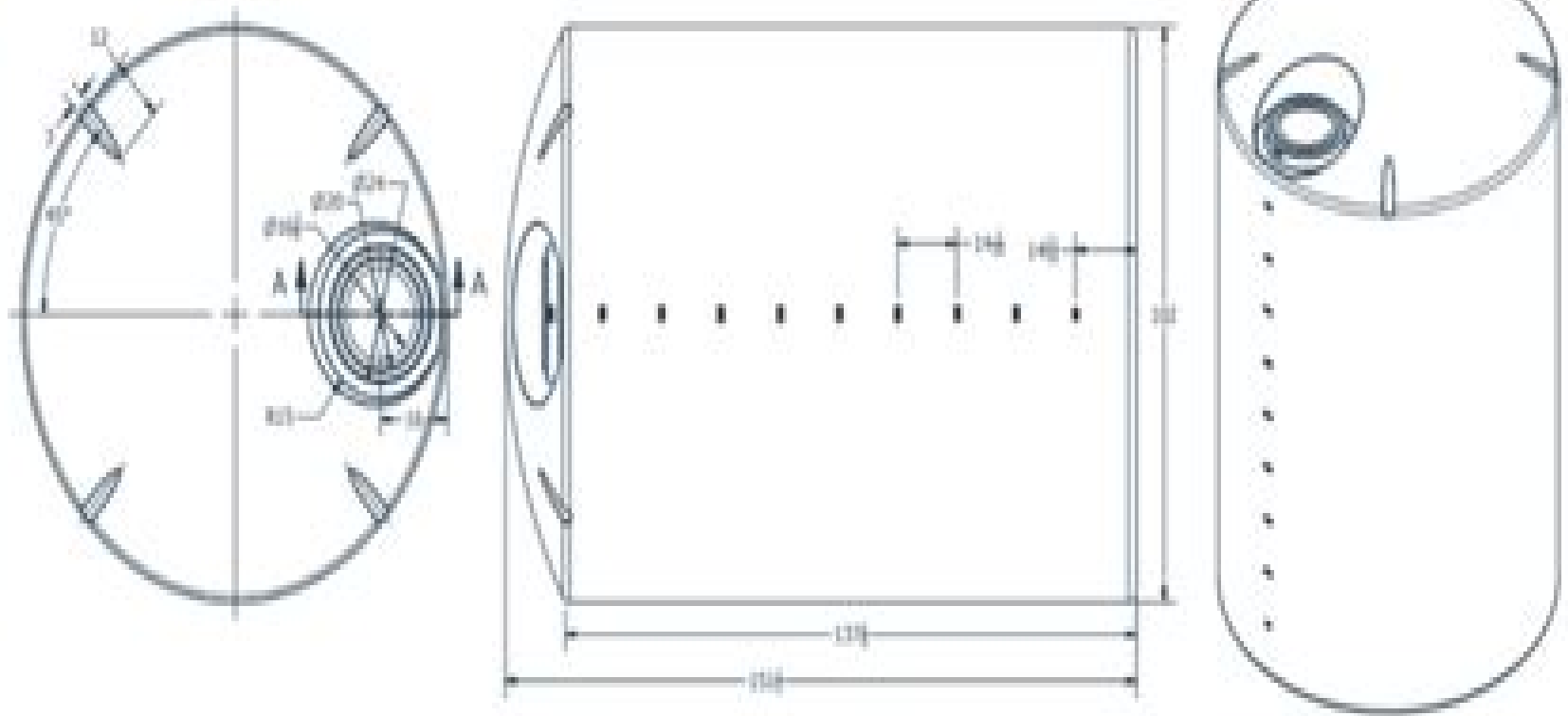




NATIONAL TANK
OUTLET



Water Tank Specification Tables



Specification Day Tank

K Payea



Specification Day Tank:

Unveiling the Energy of Verbal Art: An Psychological Sojourn through **Specification Day Tank**

In a world inundated with displays and the cacophony of instantaneous interaction, the profound power and emotional resonance of verbal art usually disappear in to obscurity, eclipsed by the continuous assault of sound and distractions. Yet, set within the lyrical pages of **Specification Day Tank**, a captivating function of fictional splendor that pulses with fresh feelings, lies an memorable journey waiting to be embarked upon. Composed with a virtuoso wordsmith, this magical opus manuals visitors on a mental odyssey, lightly exposing the latent possible and profound affect embedded within the complex web of language. Within the heart-wrenching expanse with this evocative analysis, we shall embark upon an introspective exploration of the book is key styles, dissect its captivating writing type, and immerse ourselves in the indelible effect it leaves upon the depths of readers souls.

https://py.bijouxmedusa.com/book/scholarship/default.aspx/A_Duke_To_Remember_Bdataolutions.pdf

Table of Contents Specification Day Tank

1. Understanding the eBook Specification Day Tank
 - The Rise of Digital Reading Specification Day Tank
 - Advantages of eBooks Over Traditional Books
2. Identifying Specification Day Tank
 - Exploring Different Genres
 - Considering Fiction vs. Non-Fiction
 - Determining Your Reading Goals
3. Choosing the Right eBook Platform
 - Popular eBook Platforms
 - Features to Look for in an Specification Day Tank
 - User-Friendly Interface
4. Exploring eBook Recommendations from Specification Day Tank
 - Personalized Recommendations

- Specification Day Tank User Reviews and Ratings
- Specification Day Tank and Bestseller Lists
- 5. Accessing Specification Day Tank Free and Paid eBooks
 - Specification Day Tank Public Domain eBooks
 - Specification Day Tank eBook Subscription Services
 - Specification Day Tank Budget-Friendly Options
- 6. Navigating Specification Day Tank eBook Formats
 - ePub, PDF, MOBI, and More
 - Specification Day Tank Compatibility with Devices
 - Specification Day Tank Enhanced eBook Features
- 7. Enhancing Your Reading Experience
 - Adjustable Fonts and Text Sizes of Specification Day Tank
 - Highlighting and Note-Taking Specification Day Tank
 - Interactive Elements Specification Day Tank
- 8. Staying Engaged with Specification Day Tank
 - Joining Online Reading Communities
 - Participating in Virtual Book Clubs
 - Following Authors and Publishers Specification Day Tank
- 9. Balancing eBooks and Physical Books Specification Day Tank
 - Benefits of a Digital Library
 - Creating a Diverse Reading Collection Specification Day Tank
- 10. Overcoming Reading Challenges
 - Dealing with Digital Eye Strain
 - Minimizing Distractions
 - Managing Screen Time
- 11. Cultivating a Reading Routine Specification Day Tank
 - Setting Reading Goals Specification Day Tank
 - Carving Out Dedicated Reading Time
- 12. Sourcing Reliable Information of Specification Day Tank
 - Fact-Checking eBook Content of Specification Day Tank

- Distinguishing Credible Sources
- 13. Promoting Lifelong Learning
 - Utilizing eBooks for Skill Development
 - Exploring Educational eBooks
- 14. Embracing eBook Trends
 - Integration of Multimedia Elements
 - Interactive and Gamified eBooks

Specification Day Tank Introduction

Specification Day Tank Offers over 60,000 free eBooks, including many classics that are in the public domain. Open Library: Provides access to over 1 million free eBooks, including classic literature and contemporary works. Specification Day Tank Offers a vast collection of books, some of which are available for free as PDF downloads, particularly older books in the public domain. Specification Day Tank : This website hosts a vast collection of scientific articles, books, and textbooks. While it operates in a legal gray area due to copyright issues, its a popular resource for finding various publications. Internet Archive for Specification Day Tank : Has an extensive collection of digital content, including books, articles, videos, and more. It has a massive library of free downloadable books. Free-eBooks Specification Day Tank Offers a diverse range of free eBooks across various genres. Specification Day Tank Focuses mainly on educational books, textbooks, and business books. It offers free PDF downloads for educational purposes. Specification Day Tank Provides a large selection of free eBooks in different genres, which are available for download in various formats, including PDF. Finding specific Specification Day Tank, especially related to Specification Day Tank, might be challenging as theyre often artistic creations rather than practical blueprints. However, you can explore the following steps to search for or create your own Online Searches: Look for websites, forums, or blogs dedicated to Specification Day Tank, Sometimes enthusiasts share their designs or concepts in PDF format. Books and Magazines Some Specification Day Tank books or magazines might include. Look for these in online stores or libraries. Remember that while Specification Day Tank, sharing copyrighted material without permission is not legal. Always ensure youre either creating your own or obtaining them from legitimate sources that allow sharing and downloading. Library Check if your local library offers eBook lending services. Many libraries have digital catalogs where you can borrow Specification Day Tank eBooks for free, including popular titles. Online Retailers: Websites like Amazon, Google Books, or Apple Books often sell eBooks. Sometimes, authors or publishers offer promotions or free periods for certain books. Authors Website Occasionally, authors provide excerpts or short stories for free on their websites. While this might not be the Specification Day Tank full book , it can give you a taste of the authors writing style. Subscription Services Platforms

like Kindle Unlimited or Scribd offer subscription-based access to a wide range of Specification Day Tank eBooks, including some popular titles.

FAQs About Specification Day Tank Books

How do I know which eBook platform is the best for me? Finding the best eBook platform depends on your reading preferences and device compatibility. Research different platforms, read user reviews, and explore their features before making a choice. Are free eBooks of good quality? Yes, many reputable platforms offer high-quality free eBooks, including classics and public domain works. However, make sure to verify the source to ensure the eBook credibility. Can I read eBooks without an eReader? Absolutely! Most eBook platforms offer webbased readers or mobile apps that allow you to read eBooks on your computer, tablet, or smartphone. How do I avoid digital eye strain while reading eBooks? To prevent digital eye strain, take regular breaks, adjust the font size and background color, and ensure proper lighting while reading eBooks. What the advantage of interactive eBooks? Interactive eBooks incorporate multimedia elements, quizzes, and activities, enhancing the reader engagement and providing a more immersive learning experience. Specification Day Tank is one of the best book in our library for free trial. We provide copy of Specification Day Tank in digital format, so the resources that you find are reliable. There are also many Ebooks of related with Specification Day Tank. Where to download Specification Day Tank online for free? Are you looking for Specification Day Tank PDF? This is definitely going to save you time and cash in something you should think about. If you trying to find then search around for online. Without a doubt there are numerous these available and many of them have the freedom. However without doubt you receive whatever you purchase. An alternate way to get ideas is always to check another Specification Day Tank. This method for see exactly what may be included and adopt these ideas to your book. This site will almost certainly help you save time and effort, money and stress. If you are looking for free books then you really should consider finding to assist you try this. Several of Specification Day Tank are for sale to free while some are payable. If you arent sure if the books you would like to download works with for usage along with your computer, it is possible to download free trials. The free guides make it easy for someone to free access online library for download books to your device. You can get free download on free trial for lots of books categories. Our library is the biggest of these that have literally hundreds of thousands of different products categories represented. You will also see that there are specific sites catered to different product types or categories, brands or niches related with Specification Day Tank. So depending on what exactly you are searching, you will be able to choose e books to suit your own need. Need to access completely for Campbell Biology Seventh Edition book? Access Ebook without any digging. And by having access to our ebook online or by storing it on your computer, you have convenient answers with Specification Day Tank To get started

finding Specification Day Tank, you are right to find our website which has a comprehensive collection of books online. Our library is the biggest of these that have literally hundreds of thousands of different products represented. You will also see that there are specific sites catered to different categories or niches related with Specification Day Tank So depending on what exactly you are searching, you will be able to choose ebook to suit your own need. Thank you for reading Specification Day Tank. Maybe you have knowledge that, people have search numerous times for their favorite readings like this Specification Day Tank, but end up in harmful downloads. Rather than reading a good book with a cup of coffee in the afternoon, instead they juggled with some harmful bugs inside their laptop. Specification Day Tank is available in our book collection an online access to it is set as public so you can download it instantly. Our digital library spans in multiple locations, allowing you to get the most less latency time to download any of our books like this one. Merely said, Specification Day Tank is universally compatible with any devices to read.

Find Specification Day Tank :

[a duke to remember bdataolutions](#)

a rhetoric of motives onlyyouore

[a complete to internet and web programming by deven n shah](#)

[a practical guide to advanced networking and cisco ccent icnd1 100 101 network simulator bundle](#)

[8051 microcontroller by mazidi solution](#)

a rising thunder honor harrington 13 david weber

[8838646120 IT25](#)

a dictionary of latin words and phrases

a course in ordinary differential equations solutions manual

[aabb technical manual 17th edition inkjetwholesaleolutions](#)

[a friendly introduction to number theory solution manual pdf](#)

[70 778 analyzing and visualizing data with microsoft power bi](#)

9693 marine science gce guide

a re kopaneng re nyobaneng health24

a place on the corner second edition

Specification Day Tank :

German for Reading (Second Edition) "Organization: German for Reading takes the approach of quickly showing language in context, concentrating on decoding meaning from available clues, and giving ... German for Reading : A Programmed... by Karl C. Sandberg German for Reading : A Programmed Approach for Graduate and Undergraduate Reading Courses [Karl C. Sandberg, John R. Wendel] on Amazon.com. German for Reading(Second Edition) by Wendel, John R. Its programmed format permits it to be used either as a classroom text or by individuals working on their own. The second edition builds on strengths of the ... German for Reading : A Programmed Approach ... German for Reading : A Programmed Approach for Graduate and Undergraduate Reading Courses. Karl C. Sandberg, John R. Wendel. 4.46. 28 ratings3 reviews. German for Reading: A Programmed Approach (Second ... German for Reading presupposes no previous acquaintance with German and can be used with equal effectiveness by graduate students in the arts and sciences ... German for Reading: A Programmed Approach ... Bibliographic information ; Title, German for Reading: A Programmed Approach for Graduate and Undergraduate Reading Courses ; Authors, Karl C. Sandberg, John R. German for Reading; A Programmed... book by Karl C. ... Book by Karl C. Sandberg, John R. Wendel This description may be from another edition of this product. Edition Details Professional Reviews German for Reading : A Programmed Approach ... German for Reading : A Programmed Approach for Graduate and Undergraduate Reading Courses by Karl C. Sandberg; John R. Wendel - ISBN 10: 0133540197 - ISBN ... German for reading : a programmed approach for graduate ... German for reading : a programmed approach for graduate and undergraduate reading courses ; Authors: Karl C. Sandberg, John R. Wendel (Author) ; Edition: View all ... German for reading : a programmed approach for graduate ... German for reading : a programmed approach for graduate and undergraduate reading courses / by Karl C. Sandberg and John R. Wendel.-book. 2003 Ford Windstar Radiator Coolant Hose (Lower). 3.8 ... Buy 2003 Ford Windstar Radiator Coolant Hose (Lower). 3.8 liter. 3.9 liter. 4.2 ... WATER PUMP. Full Diagram. Diagram COOLING SYSTEM. COOLING FAN. RADIATOR ... 99-03 Ford Windstar Coolant Crossover Tube Water Pump ... Cooling System Hoses & Clamps for Ford Windstar Get the best deals on Cooling System Hoses & Clamps for Ford Windstar when you shop the largest online selection at eBay.com. Free shipping on many items ... 2003 FORD WINDSTAR Service Repair Manual | PDF Jul 23, 2018 — This is the Highly Detailed factory service repair manual for the2003 FORD WINDSTAR, this Service Manual has detailed illustrations as well ... 2002 Ford Windstar Cooling System Diagram May 6, 2009 — Looking for complete picture diagram of route info for cooling system and vacuum lines for a 1999 ford windstar 3.0 - Answered by a verified ... Ford Windstar Radiator Coolant Hose (Lower). 3.8 liter. 3 Oil cooler line. Radiator Coolant Hose. Fits Windstar (1999 - 2003) 3.8 liter. 3.9 ... WATER PUMP. Full Diagram. Diagram COOLING SYSTEM. COOLING FAN. RADIATOR ... Heater hose question on 03 Windstar - Ford Automobiles Feb 4, 2020 — I figure while the cowl panel is off I'm just going to replace all the hoses back there as I'm in AZ and I need my Coolant system to be 100%. HVAC Heater Hose

Assembly Set - Heater Outlet to Water Hose Assembly Set - Heater Outlet to Water Pump - Compatible with 1999-2003 Ford Windstar. \$24.95\$24.95. Gates 22433 Premium Molded Coolant Hose. \$14.34\$14.34. 2000 Ford Windstar "coolant system diagram" Questions Free help, troubleshooting & support for 2000 Ford Windstar coolant system diagram related topics. Get solutions for 2000 Ford Windstar coolant system ... Discovering French, Nouveau!: Blanc 2 - 1st Edition Our resource for Discovering French, Nouveau!: Blanc 2 includes answers to chapter exercises, as well as detailed information to walk you through the process ... Discovering French, Nouveau!: Blanc 2, Student Workbook Our resource for Discovering French, Nouveau!: Blanc 2, Student Workbook includes answers to chapter exercises, as well as detailed information to walk you ... Discovering French Nouveau Blanc Workbook Answers Fill Discovering French Nouveau Blanc Workbook Answers, Edit online. Sign, fax and printable from PC, iPad, tablet or mobile with pdfFiller Instantly. Workbook (French Edition) by Valette, Jean-Paul ... Discovering French Nouveau Blanc 2: Workbook (French Edition) by Valette, Jean-Paul, Valette, Rebecca M.(July 1, 2003) Paperback · Book overview. Discovering French nouveau. blanc 2 / Jean-Paul Valette ... French language -- Study and teaching. ISBN, 0395874890 (student text). 0395881420 (teacher's edition). 061829886x (workbook) ... Discovering French, Nouveau - Blanc Teacher's Edition Book details ; ISBN-10. 0395881420 ; ISBN-13. 978-0395881422 ; Edition. Teachers Guide ; Publisher. MCDUGAL LITTEL ; Publication date. May 12, 2003. Discovering french nouveau blanc workbook answers pdf Discovering french nouveau blanc workbook answers pdf . On this page you can read or download discovering french blanc unite 8 lesson 29 answers in PDF ... Discovering french nouveau bleu 1 workbook answers ... French The French book is Discovering french nouveau bleu 2 workbook answer key pdf. Withdrawl from abilify (Bleu and Blanc only) Teacher Workbook ...