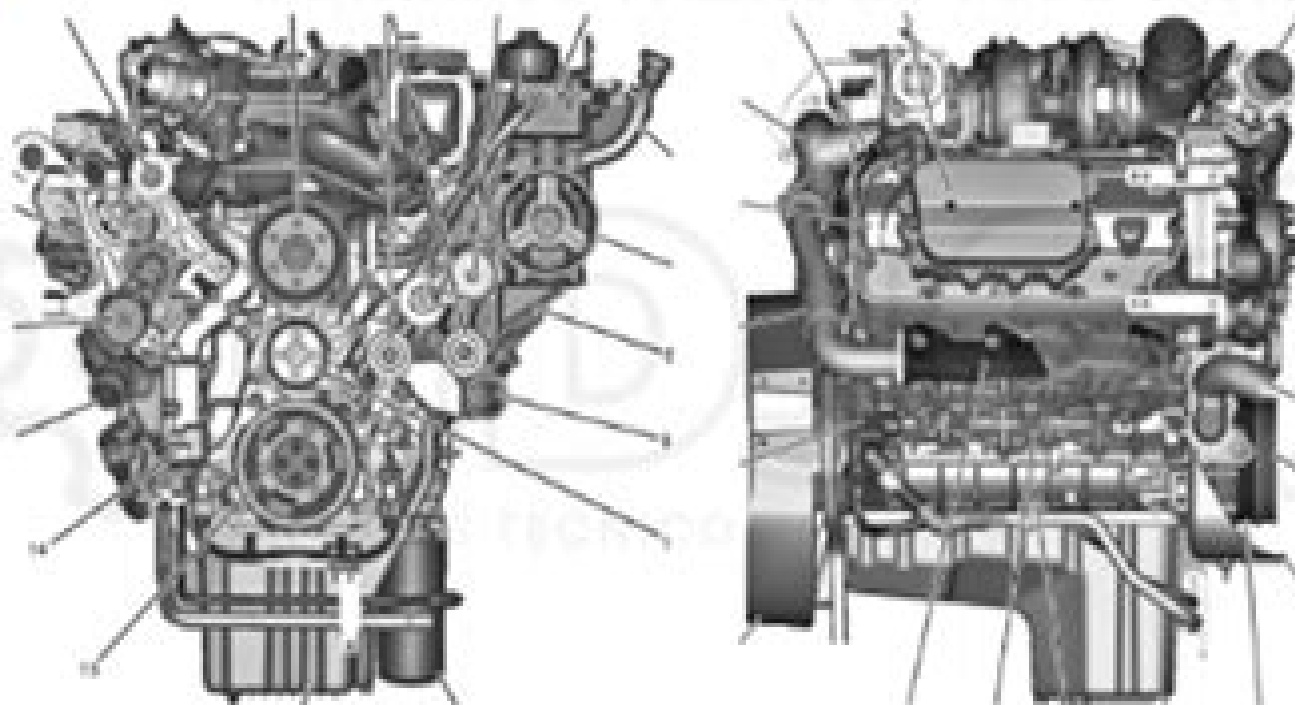


Repair and Service

INTERNATIONAL Maxxforce 7



V8 / Diesel / (6.4 L) // 2010



International Maxxforce Engine Repair Manual

Clemens Wendtner



International Maxxforce Engine Repair Manual:

Discover tales of courage and bravery in its empowering ebook, Unleash Courage in **International Maxxforce Engine Repair Manual** . In a downloadable PDF format (PDF Size: *), this collection inspires and motivates. Download now to witness the indomitable spirit of those who dared to be brave.

<https://py.bijouxmedusa.com/About/uploaded-files/default.aspx/Level%201%20English%20Functional%20Skills.pdf>

Table of Contents International Maxxforce Engine Repair Manual

1. Understanding the eBook International Maxxforce Engine Repair Manual
 - The Rise of Digital Reading International Maxxforce Engine Repair Manual
 - Advantages of eBooks Over Traditional Books
2. Identifying International Maxxforce Engine Repair Manual
 - Exploring Different Genres
 - Considering Fiction vs. Non-Fiction
 - Determining Your Reading Goals
3. Choosing the Right eBook Platform
 - Popular eBook Platforms
 - Features to Look for in an International Maxxforce Engine Repair Manual
 - User-Friendly Interface
4. Exploring eBook Recommendations from International Maxxforce Engine Repair Manual
 - Personalized Recommendations
 - International Maxxforce Engine Repair Manual User Reviews and Ratings
 - International Maxxforce Engine Repair Manual and Bestseller Lists
5. Accessing International Maxxforce Engine Repair Manual Free and Paid eBooks
 - International Maxxforce Engine Repair Manual Public Domain eBooks
 - International Maxxforce Engine Repair Manual eBook Subscription Services
 - International Maxxforce Engine Repair Manual Budget-Friendly Options
6. Navigating International Maxxforce Engine Repair Manual eBook Formats

- ePub, PDF, MOBI, and More
 - International Maxxforce Engine Repair Manual Compatibility with Devices
 - International Maxxforce Engine Repair Manual Enhanced eBook Features
7. Enhancing Your Reading Experience
 - Adjustable Fonts and Text Sizes of International Maxxforce Engine Repair Manual
 - Highlighting and Note-Taking International Maxxforce Engine Repair Manual
 - Interactive Elements International Maxxforce Engine Repair Manual
 8. Staying Engaged with International Maxxforce Engine Repair Manual
 - Joining Online Reading Communities
 - Participating in Virtual Book Clubs
 - Following Authors and Publishers International Maxxforce Engine Repair Manual
 9. Balancing eBooks and Physical Books International Maxxforce Engine Repair Manual
 - Benefits of a Digital Library
 - Creating a Diverse Reading Collection International Maxxforce Engine Repair Manual
 10. Overcoming Reading Challenges
 - Dealing with Digital Eye Strain
 - Minimizing Distractions
 - Managing Screen Time
 11. Cultivating a Reading Routine International Maxxforce Engine Repair Manual
 - Setting Reading Goals International Maxxforce Engine Repair Manual
 - Carving Out Dedicated Reading Time
 12. Sourcing Reliable Information of International Maxxforce Engine Repair Manual
 - Fact-Checking eBook Content of International Maxxforce Engine Repair Manual
 - Distinguishing Credible Sources
 13. Promoting Lifelong Learning
 - Utilizing eBooks for Skill Development
 - Exploring Educational eBooks
 14. Embracing eBook Trends
 - Integration of Multimedia Elements
 - Interactive and Gamified eBooks

International Maxxforce Engine Repair Manual Introduction

In the digital age, access to information has become easier than ever before. The ability to download International Maxxforce Engine Repair Manual has revolutionized the way we consume written content. Whether you are a student looking for course material, an avid reader searching for your next favorite book, or a professional seeking research papers, the option to download International Maxxforce Engine Repair Manual has opened up a world of possibilities. Downloading International Maxxforce Engine Repair Manual provides numerous advantages over physical copies of books and documents. Firstly, it is incredibly convenient. Gone are the days of carrying around heavy textbooks or bulky folders filled with papers. With the click of a button, you can gain immediate access to valuable resources on any device. This convenience allows for efficient studying, researching, and reading on the go. Moreover, the cost-effective nature of downloading International Maxxforce Engine Repair Manual has democratized knowledge. Traditional books and academic journals can be expensive, making it difficult for individuals with limited financial resources to access information. By offering free PDF downloads, publishers and authors are enabling a wider audience to benefit from their work. This inclusivity promotes equal opportunities for learning and personal growth. There are numerous websites and platforms where individuals can download International Maxxforce Engine Repair Manual. These websites range from academic databases offering research papers and journals to online libraries with an expansive collection of books from various genres. Many authors and publishers also upload their work to specific websites, granting readers access to their content without any charge. These platforms not only provide access to existing literature but also serve as an excellent platform for undiscovered authors to share their work with the world. However, it is essential to be cautious while downloading International Maxxforce Engine Repair Manual. Some websites may offer pirated or illegally obtained copies of copyrighted material. Engaging in such activities not only violates copyright laws but also undermines the efforts of authors, publishers, and researchers. To ensure ethical downloading, it is advisable to utilize reputable websites that prioritize the legal distribution of content. When downloading International Maxxforce Engine Repair Manual, users should also consider the potential security risks associated with online platforms. Malicious actors may exploit vulnerabilities in unprotected websites to distribute malware or steal personal information. To protect themselves, individuals should ensure their devices have reliable antivirus software installed and validate the legitimacy of the websites they are downloading from. In conclusion, the ability to download International Maxxforce Engine Repair Manual has transformed the way we access information. With the convenience, cost-effectiveness, and accessibility it offers, free PDF downloads have become a popular choice for students, researchers, and book lovers worldwide. However, it is crucial to engage in ethical downloading practices and prioritize personal security when utilizing online platforms. By doing so, individuals can make the most of the vast array of free PDF resources available and embark on a journey of continuous learning and intellectual growth.

FAQs About International Maxxforce Engine Repair Manual Books

What is a International Maxxforce Engine Repair Manual PDF? A PDF (Portable Document Format) is a file format developed by Adobe that preserves the layout and formatting of a document, regardless of the software, hardware, or operating system used to view or print it. **How do I create a International Maxxforce Engine Repair Manual PDF?**

There are several ways to create a PDF: Use software like Adobe Acrobat, Microsoft Word, or Google Docs, which often have built-in PDF creation tools. Print to PDF: Many applications and operating systems have a "Print to PDF" option that allows you to save a document as a PDF file instead of printing it on paper. Online converters: There are various online tools that can convert different file types to PDF. **How do I edit a International Maxxforce Engine Repair Manual PDF?**

Editing a PDF can be done with software like Adobe Acrobat, which allows direct editing of text, images, and other elements within the PDF. Some free tools, like PDFescape or Smallpdf, also offer basic editing capabilities. **How do I convert a International**

Maxxforce Engine Repair Manual PDF to another file format? There are multiple ways to convert a PDF to another format: Use online converters like Smallpdf, Zamzar, or Adobe Acrobats export feature to convert PDFs to formats like Word, Excel, JPEG, etc. Software like Adobe Acrobat, Microsoft Word, or other PDF editors may have options to export or save PDFs in different formats. **How do I password-protect a International Maxxforce Engine Repair Manual PDF?**

Most PDF editing software allows you to add password protection. In Adobe Acrobat, for instance, you can go to "File" -> "Properties" -> "Security" to set a password to restrict access or editing capabilities. Are there any free alternatives to Adobe Acrobat for working with PDFs? Yes, there are many free alternatives for working with PDFs, such as: LibreOffice: Offers PDF editing features. PDFsam: Allows splitting, merging, and editing PDFs. Foxit Reader: Provides basic PDF viewing and editing capabilities. How do I compress a PDF file? You can use online tools like Smallpdf, ILovePDF, or desktop software like Adobe Acrobat to compress PDF files without significant quality loss. Compression reduces the file size, making it easier to share and download. Can I fill out forms in a PDF file? Yes, most PDF viewers/editors like Adobe Acrobat, Preview (on Mac), or various online tools allow you to fill out forms in PDF files by selecting text fields and entering information. Are there any restrictions when working with PDFs? Some PDFs might have restrictions set by their creator, such as password protection, editing restrictions, or print restrictions. Breaking these restrictions might require specific software or tools, which may or may not be legal depending on the circumstances and local laws.

Find International Maxxforce Engine Repair Manual :

level 1 english functional skills

~~learning from las vegas the forgotten symbolism of architectural form robert venturi~~

[language files department of linguistics](#)
[lexikon der sprachwissenschaft by hadumod bussmann](#)
[lifeguard training activities and games](#)
[last minute picture tests for mrep 2](#)
[las claves del nuevo dele c1 difusi n editorial de](#)
[lipsey and chrystal economics 11th edition wanfanore](#)
le guerrier le retour des highlanders t3
[list of kanji radicals by frequency wikivisually](#)
[learning from good and bad data](#)
[lars kepler stalker](#)
[list of opposite adjectives opposites words vocabulary](#)
[learn to read latin workbook](#)
[leo-strauss-el arte de leer](#)

International Maxxforce Engine Repair Manual :

1123 english language mark scheme for the october november 2013 series - Nov 06 2022

web cambridge is publishing the mark schemes for the october november 2013 series for most igcse gce advanced level and advanced subsidiary level components and some ordinary level components page 2 mark scheme gce o level october november 2013 syllabus 1123 paper 21 passage 1 1 a mark to a maximum of 15 for [english language gce guide - Oct 05 2022](#)

web cambridge general certificate of education ordinary level 1123 english language november 2013 principal examiner report for teachers 2 2013 they have achieved in and out of school linking their achievements to the post applied for and bullet 3 required developed suggestions of how their career in the hotel business may develop in the future [past papers of o levels literature in english 2010 2013 - Feb 26 2022](#)

web aug 13 2023 [past papers o levels literature in english 2010 2013 gce guide past papers of o levels literature in english 2010 2013 cambridge o levels cambridge igcse cambridge int l as a levels](#)

1123 english language mark scheme for the october november 2013 - Sep 04 2022

web page 2 mark scheme gce o level october november 2013 syllabus 1123 paper 22 passage 1 1 a the advantages and disadvantages of e readers as described in the passage 15 accept own words or lifting accept sentences or note form mark expected answer 1 mark for each correct point up to a max of 15 1 some books are free 2

english language 1123 past papers 2013 oct nov download - Aug 03 2022

web download english language 1123 past papers marking schemes examiner reports notes syllabus specimen of 2013 oct nov cambridge o level

past papers o levels english 1123 gce guide - Mar 10 2023

web aug 13 2023 past papers o levels english 1123 gce guide past papers of o levels english 1123 cambridge o levels cambridge igcse cambridge int l as a levels caie october november 2023 session starts 25

past papers o levels english 1123 2013 gce guide - Jan 08 2023

web caie past papers for cambridge o level cambridge int l as and a level and cambridge igcse subjects past papers o levels english 1123 2013 gce guide may june 2021 papers for caie qualifications available now

cie oct nov 2013 papers with marking schemes xtremepapers - Mar 30 2022

web jan 27 2014 7110 gce o level principles of accounts oct nov 2013 papers xtremepapers home what s new latest activity authors papers caie edexcel ielts sat ib forums new posts search forums revision 1123 gce o level english language oct nov 2013 papers attachments 1123 w13 in 21 pdf 72 7 kb views 210

past papers caie papacambridge - Jun 13 2023

web all files question paper mark scheme grade threshold examiner report insert instructions btec level 2 diploma in performing and production arts industry skills btec it users itq wjec gcse english language report november 2018 e pdf download file view file wjec gcse english language report nov 2017 pdf

o level english paper 2013 11 pdf files past papers archive - Feb 09 2023

web 1 o level english paper 2013 pdf o level english paper 2013 oiters de browse and read o level english paper 2013 o level english paper 2013 one day you will discover a new adventure and knowledge by spending more money 2 english november 2013 papers o level pdf

cambridge o level english language 1123 12 question paper oct nov 2013 - Apr 11 2023

web question paper of cambridge international o level english language 1123 paper 12 winter or october november 2013 examination best exam help the best collection of past papers

o level english language 2013 past papers cie notes - Jul 14 2023

web nov 6 2018 directory o level english language may june past papers 1123 s13 er 1123 s13 in 21 1123 s13 in 22 1123 s13 ms 11 1123 s13 ms 12 1123 s13 ms 21 1123 s13 ms 22

english language 1123 21 october november 2013 - Jul 02 2022

web 2 ucles 2013 1123 21 insert o n 13 passage 1 reading and viewing 1 reading has been around for a long time by comparison the cinema is a relatively recent invention

[1123 english language xtremepapers](#) - May 12 2023

web mark scheme for the october november 2013 series 1123 english language 1123 22 paper 2 comprehension maximum raw mark 50 this mark scheme is published as an aid to teachers and candidates to indicate the requirements of the examination it shows the basis on which examiners were instructed to award marks

past papers o levels gce guide - Dec 27 2021

web aug 13 2023 cambridge o levels cambridge igcse cambridge int l as a levels caie october november 2023 session starts 28 days 16 hours 41 minutes 35 seconds update s 13 08 2023 new as a level latest papers added if any paper is still missing please report using the contact us tab accounting 7707 agriculture 5038 arabic 3180 art

[o level english past papers teachifyme](#) - Jun 01 2022

web our o level english past papers section is uploaded with the latest o level english may june 20 20 past paper you can download the past papers of both may june and october november sessions and of different variants solving these past papers will help you to prepare for your o level english 1123

[o level literature in english 2013 past papers cie notes](#) - Jan 28 2022

web nov 8 2018 past papers cie past papers cie as and a level past papers cie o level past papers cie igcse past papers cie pre u past papers cie lower secondary checkpoint past papers cie primary checkpoint past papers aqa past papers aqa a level past papers aqa as level past papers aqa gcse past papers sat

past papers o levels english 1123 2013 gce guide - Aug 15 2023

web aug 13 2023 past papers of o levels english 1123 2013 cambridge o levels cambridge igcse cambridge int l as a levels caie october november 2023 session starts 24 days 19 hours

o level english 1123 2013 past papers resources for cie english - Dec 07 2022

web apr 13 2014 november 2013 writing paper a marking scheme november 2013 writing paper b november 2013 writing paper b marking scheme november 2013 reading paper a november 2013 reading paper a insert november 2013 reading paper a marking scheme november 2013 reading paper b november 2013

[o level english 1123 november 2013 past papers resources for](#) - Apr 30 2022

web november 2013 writing paper b november 2013 writing paper b marking scheme november 2013 reading paper a november 2013 reading paper a insert november 2013 reading paper a marking scheme november 2013 reading paper b november 2013 reading paper b insert november 2013 reading paper b marking scheme

[study material pdfs national institute of open schooling](#) - Jul 19 2022

web booking and dispatch of post examination materials pertaining to the on demand examination ode of national institute of open schooling nios w e f 04th january 2022 vocational and d el ed offline booking and dispatch of post examination materials

of national institute of open schooling nios examination from 03rd january 2022

history 315 the national institute of open schooling nios - Oct 02 2023

web history 315 syllabus bifurcation of history 315 please follow the links below for details module 1 ancient india 6569 kb module 2 medieval india 7172 kb module 3 modern india 772 kb module 4 indian national movement 1772 kb module 5 20th century world 1672 kb module 6a evolution of state in india 1211 kb

study material pdfs national institute of open schooling - Nov 22 2022

web [view vocational courses](#) [view open basic education](#) [view diploma in elementary education d el ed](#) [view jan swasthya](#) [view interact with faculty](#) [view course material for persons with disabilities](#) [view nios study material 2022 for 10th 12th class schools](#) - Oct 22 2022

web sep 6 2022 nios study material 2022 for 10th 12th class national institute of open schooling provides nios study material 2022 for class 10 and 12 students the secondary and senior secondary study material is made available on the official website nios ac in nios study material 2022 for 10th 12th class includes the complete syllabus books

[nios study material 2022 d el ed class 10th 12th download in hindi english](#) - Feb 11 2022

web may 6 2022 from this page you can easily download nios study material for d el ed class 10th 12th in hindi english which is free of cost national institute of open schooling conducts diploma in elementary education d el ed programme for the untrained teachers to develop them so that they make teaching and learning more effective

online course material the national institute of open schooling nios - Sep 01 2023

web it is an open school to cater to the needs of a heterogeneous group of learners up to pre degree level nios operates through a network of departments regional centres and accredited institutions study centres in india and abroad online course material

nios study material nios solutions dev library - Jun 17 2022

web which is the best site to get the nios study materials dev library is a genuine and trustworthy site that offers reliable information regarding nios study material how to learn nios study material you can learn nios pdf book and solutions by practicing through our quick links make the most out of these resources and prepare accordingly

the national institute of open schooling nios - May 29 2023

web history module 1 ancient india is a pdf document that provides an overview of the major historical periods and developments of india from the prehistoric times to the sixth century ad it covers topics such as the indus valley civilization the vedic age the rise of jainism and buddhism the mauryan and gupta empires and the cultural and social aspects of

[nios history downloads drishti ias](#) [view nios study material 2022 for 10th 12th class schools](#) - Jul 31 2023

web jul 19 2018 nios study material history history secondary 19 jul 2018 download history senior secondary 19 jul 2018

download newsletter subscription subscribe now sms alerts subscribe now reach us 641 1 st floor mukherjee nagar delhi 110009

nios online course materials 2023 ncertguru - Jan 25 2023

web get complete nios textbooks or study materials in pdf format for all major classes students can download the latest nios online course materials for the latest academic session of 2022 23 all study materials are available in english and hindi mediums students can download as per their respective medium

nios history optional complete notes english - Jun 29 2023

web click here to download nios history optional complete notes english pdf click here to like our facebook page for latest updates and free ebooks tags

nios history notes in english complete pdf upsc pdf - Mar 27 2023

web jul 23 2021 module 1 ancient indiamodule 2 medieval indiamodule 3 modern indiamodule 4 indian national movementmodule 5 20th century worldmodule 6a evolution of state in indiamodule 6b culture in india

nios history optional complete notes english pdf upsc ias - Apr 15 2022

web jul 24 2021 1 nios history optional complete notes english pdf download now 2 if you don t have access to upsc prelims material and upsc mains material and upsc optionals material and test series prelims mains and also magazine you can also follow their website and be updated

nios history study material trusted by 50k aspirants - May 17 2022

web description additional information reviews 0 nios history study material buy old ncerts books online history ncert offers old ncert printed study material upsc study materials notes new arrivals 120 00 hardcopy

understanding indian history the national institute of - Apr 27 2023

web historical evidence in this lesson you will learn how india s ancient past was constructed with the help of large varieties of historical evidence and their interpretation objectives after studying this lesson you will be able to understand historical construction of india s

nios history part i notes in english pdf free materials 4 you - Dec 24 2022

web dec 30 2022 nios history part i notes in english pdf also we are giving you an opportunity to be a part of it by providing us the materials so that we can use it as free resources on our website these resources will be reachable to everyone who wants to learn and prepare for upsc ias

nios study material download pdfs getmyuni - Feb 23 2023

web apr 5 2023 the nios class 10th and class 12th books are based on the nios board syllabus for the convenience of students we have provided the pdf links for the complete nios study material in this article the nios exams for 10th and 12th

grades are scheduled to take place from apr 6 to may 8 2023

[nios study material for class 12 download free pdf](#) - Aug 20 2022

web aug 11 2023 students can get the pdf versions of nios class 12 books from nios ac in students can go to the learners corner tab on the home page then click on study material followed by the sr secondary course tab to view the list of nios books for class 12 these books cover all streams science arts and commerce

nios study material ias origin - Mar 15 2022

web 1 expansive subject coverage nios study material spans a wide array of subjects encompassing arts science humanities and social sciences for upsc aspirants this diversity is advantageous as it facilitates a holistic understanding of the multifaceted issues that often appear in the examination 2

[nios books free download nios books byju s](#) - Sep 20 2022

web explore more resources and study materials for nios by registering at byju s download nios books for secondary and senior secondary courses explore all the subjects and the download the respective course material only on byju s

[yanmar ym1500 compact utility tractor review and specs tractor](#) - Sep 04 2022

web the yanmar ym1500 is a 2wd or 4wd ym1500d compact utility tractor manufactured by yanmar from 1975 to 1979 the yanmar ym1500 is equipped with a 0 9 l 52 1 cu in two cylinder diesel engine and a gear type transmission with 8 forward and 2 reverse gears

ym1500 1500d yanmar tractor parts - Feb 26 2022

web the yanmar 1500 d is a 18 horsepower tractor that was sold new in 1975 to 1979 the yanmar ym1500 has no water pump it relies on hot water rising to circulate coolant a max of 15 to 30 coolant mix is required more info

[yanmar tractor manuals pdf free download](#) - Jul 14 2023

web yanmar tractor manuals pdf free download yanmar yanmar tractor logo yanmar tractor manuals pdf yanmar tractors filter list yanmar tractor equipment catalog yanmar aw70v vnq aw82 vnq combine harvester operating manual yanmar ef393t tractor operators manual yanmar ef494t tractor operators manual

download catalogs and documents support yanmar - Apr 30 2022

web product lineup top propulsion engines high speed propulsion engines medium speed auxiliary engines

[support yanmar usa](#) - Dec 27 2021

web service maintenance service and technical support is available through your local authorized yanmar dealer please use our dealer locator to contact your regional yanmar distributor for your local yanmar dealer information please see your operator s manual for service tips basic maintenance

[quick reference guides for yt series models yanmar tractor](#) - Apr 11 2023

web tractor quick reference guides we will always recommend a tractor s operator s manual as the ultimate and best source of instruction and information for correct tractor operation however we also understand that your most limited asset is time
yanmar manuals in stock hoye tractor - Jan 08 2023

web looking for a manual for your yanmar tractor hoyetractor com has one of the largest selections of manuals available we have yanmar parts manuals yanmar service manuals yanmar operation manuals click on the manual below that you want to see

main yanmar tractor owners groups io ym1500 2tr15 service manual - Jan 28 2022

web tony the best we can do is to download the ym1500 parts manual for the 2tr15 look on the ym 3 digit us canada uk models with a 2 cylinder engine in nearly the same configuration for its service manual or the john deere jd650 service manual avoid the 2tr22 2tr27 as references

ym1500 ym1500d red yanmar parts manual - Dec 07 2022

web ym1500 ym1500d red yanmar parts manual download only sale 0 00 39 99 qty add to cart click on the picture of the tractor below or click the link below to open manual you do not have to purchase this manual to download it

yanmar - Nov 06 2022

web yanmar

yanmar ym1500 parts manual tractor forum - Oct 05 2022

web dec 20 2020 7162 views 0 replies 1 participant last post by bmaverick dec 20 2020 jump to latest bmaverick discussion starter dec 20 2020 edited by moderator yanmar ym1500 parts manual not exactly like the 1st edition please compare for your ym1500 model some were green machines and later a refresh in red

user service shop manual for yanmar 1500d tractorbynet - Jun 13 2023

web jun 19 2014 welcome aboard welcome i am not aware of any on line manuals for the 1500 doesn t mean there aren t any most i know of on line are for the us sold models yanmar tractor parts manuals i believe the 2tr15 engine in the 1500 is not used in any other models parts are probably as plentiful for it as any other model

operator s manual yanmar - Aug 15 2023

web this instruction manual describes how to maintain your tractor in good condition and how to operate it safely and correctly please read this manual carefully before using the tractor keep this manual close to your tractor after you have read through it if you lose or damage this manual ask your yanmar dealer for a new manual right away

yanmar ym1500 tractor specifications - Jun 01 2022

web feb 4 2018 speeds yanmar ym1500 dimensions wheelbase 76 8 inches 195 cm weight 1350 to 1500 pounds yanmar ym1500 mechanical chassis 4 2 2wd steering power brakes mechanical drum cab open operator station yanmar ym1500

hydraulics hydraulictype open center hydraulicsvalves 2 to 3 hydraulicspumpflow 8 2 gpm

[yanmar ym155d service manual pdf download manualslib](#) - Mar 10 2023

web view and download yanmar ym155d service manual online ym155d tractor pdf manual download also for ym155 ym135d ym135

[manuals yanmar tractor parts](#) - Mar 30 2022

web price 10 29 more information yanmar service manual ym195 ym1500 ym1600 ym1700 ym1900 ym2200 code h133503

sku 133503 price 49 99 more information yanmar operation manual ym1500 code h133516

[yanmar 1500d repair manual engine 2tr15 tractorbynet](#) - Aug 03 2022

web jul 17 2012 manual with all the torque specs and clearances that is for the 1500d yanmar with the 2tr15 yanmar engine

[tractordata com yanmar ym1500 tractor information](#) - Feb 09 2023

web dimensions photos 1975 1979 compact utility tractor yanmar ym1500 engine yanmar 2 cyl diesel engine details photos

yanmar ym1500 photos 2000 2021 tractordata com notice every attempt is made to ensure the data listed is accurate

however differences between sources incomplete listings errors and data entry

[yanmar user manuals download manualslib](#) - May 12 2023

web view download of more than 653 yanmar pdf user manuals service manuals operating guides engine tractor user

manuals operating guides specifications

ym 1500 operation manual and service manual my tractor forum - Jul 02 2022

web apr 5 2021 i am unable to find the 1500 operational manual at the yanmar tractor owners group click to expand per

california and rscotty on the other forum the ym us series ops manuals should suffice