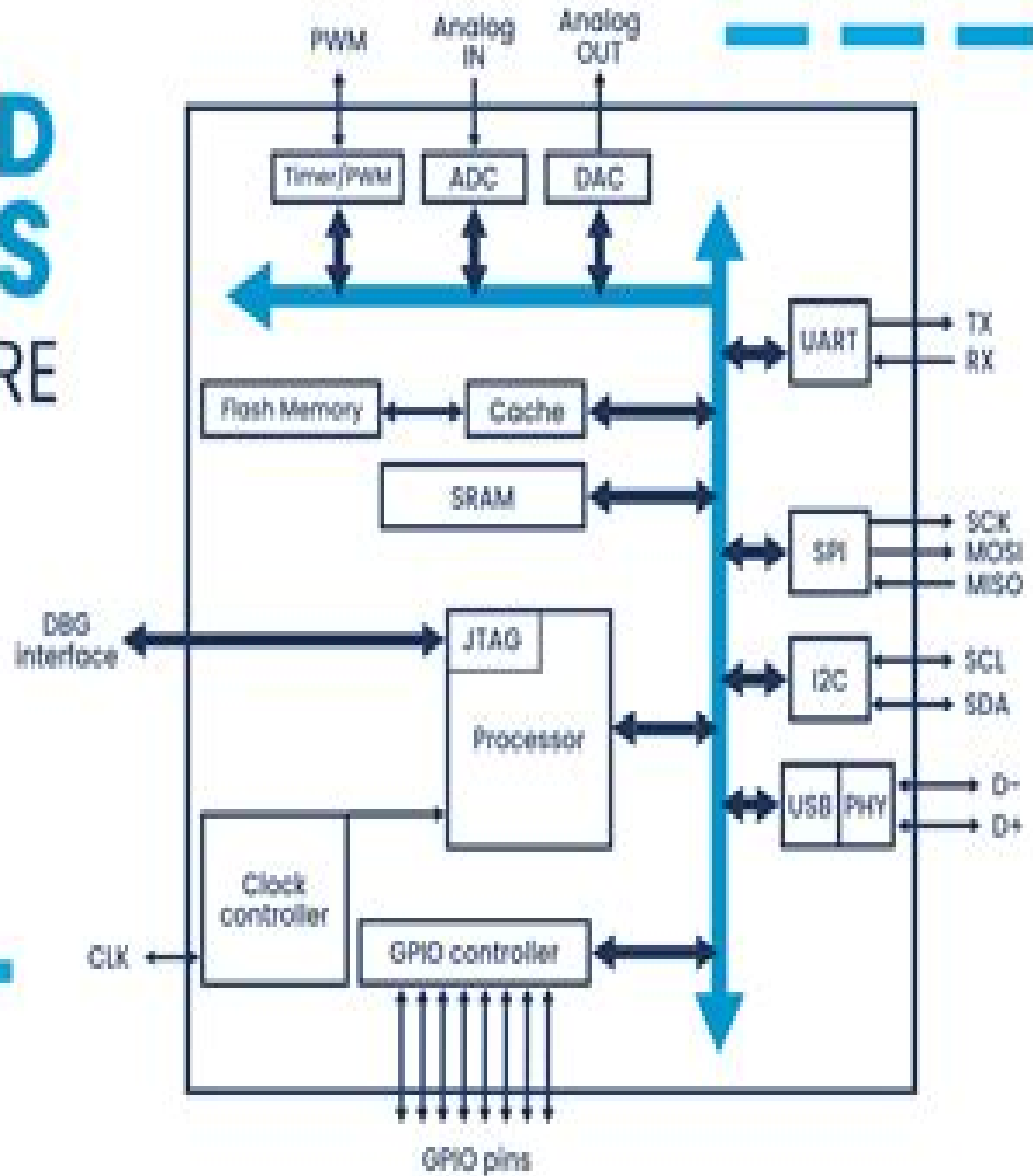


EMBEDDED SYSTEMS ARCHITECTURE



IN Tech House



Embedded Control System Design A Model Based Approach

Alexandru Forrai



Embedded Control System Design A Model Based Approach:

Embedded Control System Design Alexandru Forrai, 2012-07-27 Control system design is a challenging task for practicing engineers. It requires knowledge of different engineering fields, a good understanding of technical specifications, and good communication skills. The current book introduces the reader into practical control system design, bridging the gap between theory and practice. The control design techniques presented in the book are all model based, considering the needs and possibilities of practicing engineers. Classical control design techniques are reviewed, and methods are presented on how to verify the robustness of the design. It is how the designed control algorithm can be implemented in real time and tested, fulfilling different safety requirements. Good design practices and the systematic software development process are emphasized in the book according to the generic standard IEC61508. The book is mainly addressed to practicing control and embedded software engineers working in research and development, as well as graduate students who are faced with the challenge to design control systems and implement them in real time.

Control Systems for Power Electronics Mahesh Patil, Pankaj Rodey, 2015-04-01 The scope of the book covers most of the aspects as a primer on power electronics, starting from a simple diode bridge to a DC-DC converter using PWM control. The thyristor bridge and the mechanism of designing a closed-loop system are discussed in chapters one, two, and three. The concepts are applied in the fourth chapter as a case study for a buck converter, which uses MOSFETs as switching devices, and the closed-loop system is elaborated in the fifth chapter. Chapter six is focused on the embedded system basics and the implementation of controls in the digital domain. Chapter seven is a case study of the application of an embedded control system for a DC motor. With this book, the reader will find it easy to work on the practical control systems with microcontroller implementation. The core intent of this book is to help gain an accelerated learning path to practical control system engineering and transform control theory to an implementable control system through electronics. Illustrations are provided for most of the examples with fundamental mathematics, along with simulations of the systems with their respective equations and stability calculations.

Modeling Subramaniam Ganesan, 2010-11-29 Automotive systems engineering addresses the system throughout its life cycle, including requirement specification, design, implementation, verification, and validation of systems, modeling, simulation, testing, manufacturing, operation, and maintenance. This book, the third in a series of four volumes on this subject, features 11 papers published between 1999 and 2010 that address the challenges and importance of systems modeling, stressing the use of advanced tools and approaches. Topics covered include Automotive systems modeling, Model based design, culture, Applications.

Advanced Methodologies and Technologies in Network Architecture, Mobile Computing, and Data Analytics Khosrow-Pour, D.B.A., Mehdi, 2018-10-19 From cloud computing to data analytics, society stores vast supplies of information through wireless networks and mobile computing. As organizations are becoming increasingly more wireless, ensuring the security and seamless function of electronic gadgets while creating a strong network is imperative. Advanced Methodologies and

Technologies in Network Architecture Mobile Computing and Data Analytics highlights the challenges associated with creating a strong network architecture in a perpetually online society Readers will learn various methods in building a seamless mobile computing option and the most effective means of analyzing big data This book is an important resource for information technology professionals software developers data analysts graduate level students researchers computer engineers and IT specialists seeking modern information on emerging methods in data mining information technology and wireless networks

Encyclopedia of Information Science and Technology, Fourth Edition Khosrow-Pour, D.B.A., Mehdi,2017-06-20 In recent years our world has experienced a profound shift and progression in available computing and knowledge sharing innovations These emerging advancements have developed at a rapid pace disseminating into and affecting numerous aspects of contemporary society This has created a pivotal need for an innovative compendium encompassing the latest trends concepts and issues surrounding this relevant discipline area During the past 15 years the Encyclopedia of Information Science and Technology has become recognized as one of the landmark sources of the latest knowledge and discoveries in this discipline The Encyclopedia of Information Science and Technology Fourth Edition is a 10 volume set which includes 705 original and previously unpublished research articles covering a full range of perspectives applications and techniques contributed by thousands of experts and researchers from around the globe This authoritative encyclopedia is an all encompassing well established reference source that is ideally designed to disseminate the most forward thinking and diverse research findings With critical perspectives on the impact of information science management and new technologies in modern settings including but not limited to computer science education healthcare government engineering business and natural and physical sciences it is a pivotal and relevant source of knowledge that will benefit every professional within the field of information science and technology and is an invaluable addition to every academic and corporate library

Techniques and Tools for Model-based Design and Analysis of Embedded Real-time Software Zonghua Gu,2004

Recent Trends and Advances in Model Based Systems Engineering Azad M. Madni,Barry Boehm,Daniel Erwin,Mahta Moghaddam,Michael Sievers,Marilee Wheaton,2022-03-24 This volume comprises papers from the 18th Conference on Systems Engineering Research CSER The theme of this volume Recent Trends and Advances in Model Based Systems Engineering reflects the fact that systems engineering is undergoing a transformation motivated by mission and system complexity and enabled by technological advances such as model based systems engineering digital engineering and the convergence of systems engineering with other disciplines This conference is focused on exploring recent trends and advances in model based systems engineering MBSE and the synergy of MBSE with simulation technology and digital engineering Contributors have submitted papers on MBSE methods modeling approaches integration of digital engineering with MBSE standards modeling languages ontologies and metamodels and economics analysis of MBSE to respond to the challenges posed by 21st century systems What distinguishes this volume are the latest advances in MBSE research the

convergence of MBSE with digital engineering and recent advances in applied research in MBSE including growing convergence with systems science and decision science This volume is appropriate as a reference text in graduate engineering courses in Model Based Systems Engineering Automotive Software-Connected Services in Mobile Networks Manfred Broy,Ingolf Krüger,Michael Meisinger,2006-10-04 This book constitutes the thoroughly refereed post proceedings of the First Automotive Software Workshop ASWD 2004 held in San Diego CA USA in January 2004 The 10 revised full papers presented were carefully reviewed and selected from 26 lectures held at the workshop that brought together experts from industry and academia working on highly complex distributed reactive software systems related to the automotive domain

Machine Tool Technology, Mechatronics and Information Engineering Zhong Min Wang,Dong Fang Yang,Kun Yang,Liang Yu Guo,Jian Ming Tan,2014-09-22 Selected peer reviewed papers from the 2014 International Conference on Machine Tool Technology and Mechatronics Engineering ICMTTME 2014 June 22 23 2014 Guilin Guangxi China Proceedings of the ... American Control Conference ,2005 Distributed Embedded Systems Engineering ,2004 Annual Index/abstracts of SAE Technical Papers ,2007 **Proceedings of the IEEE International Symposium on Industrial Electronics** ,2005

Mechatronics System Design Devdas Shetty,Richard Kolk,1996-12-31 This text responds to the emergence of a new course in the ME curriculum which combines electrical components such as actuators and sensors with mechanical elements in a system Embedded System Design Daniel D. Gajski,Samar Abdi,Andreas Gerstlauer,Gunar Schirner,2009-08-14 Embedded System Design Modeling Synthesis and Verification introduces a model based approach to system level design It presents modeling techniques for both computation and communication at different levels of abstraction such as specification transaction level and cycle accurate level It discusses synthesis methods for system level architectures embedded software and hardware components Using these methods designers can develop applications with high level models which are automatically translatable to low level implementations This book furthermore describes simulation based and formal verification methods that are essential for achieving design confidence The book concludes with an overview of existing tools along with a design case study outlining the practice of embedded system design Specifically this book addresses the following topics in detail System modeling at different abstraction levels Model based system design Hardware Software codesign Software and Hardware component synthesis System verification This book is for groups within the embedded system community students in courses on embedded systems embedded application developers system designers and managers CAD tool developers design automation and system engineering Conference Papers Index ,1987 Monthly Papers presented at recent meeting held all over the world by scientific technical engineering and medical groups Sources are meeting programs and abstract publications as well as questionnaires Arranged under 17 subject sections 7 of direct interest to the life scientist Full programs of meetings listed under sections Entry gives citation number paper title name mailing address and any ordering number assigned Quarterly and annual indexes to subjects authors and programs not

available in monthly issues Proceedings, IEEE Control Systems Society ... Symposium on Computer-Aided Control System Design (CACSD), 2000 Chemical Abstracts, 2002 **Proceedings of Manufacturing International '88: Symposium on management and economics**, 1988 Fifth Annual Workshop on Space Operations Applications and Research (SOAR 1991), Volume 2, 1992

Eventually, you will no question discover a extra experience and ability by spending more cash. still when? pull off you understand that you require to acquire those all needs considering having significantly cash? Why dont you try to acquire something basic in the beginning? Thats something that will guide you to understand even more vis--vis the globe, experience, some places, afterward history, amusement, and a lot more?

It is your completely own grow old to work reviewing habit. among guides you could enjoy now is **Embedded Control System Design A Model Based Approach** below.

https://py.bijouxmedusa.com/public/uploaded-files/default.aspx/for_beginners_explained_for_small_business_11_1287_coding_for_beginners.pdf

Table of Contents Embedded Control System Design A Model Based Approach

1. Understanding the eBook Embedded Control System Design A Model Based Approach
 - The Rise of Digital Reading Embedded Control System Design A Model Based Approach
 - Advantages of eBooks Over Traditional Books
2. Identifying Embedded Control System Design A Model Based Approach
 - Exploring Different Genres
 - Considering Fiction vs. Non-Fiction
 - Determining Your Reading Goals
3. Choosing the Right eBook Platform
 - Popular eBook Platforms
 - Features to Look for in an Embedded Control System Design A Model Based Approach
 - User-Friendly Interface
4. Exploring eBook Recommendations from Embedded Control System Design A Model Based Approach
 - Personalized Recommendations
 - Embedded Control System Design A Model Based Approach User Reviews and Ratings
 - Embedded Control System Design A Model Based Approach and Bestseller Lists

5. Accessing Embedded Control System Design A Model Based Approach Free and Paid eBooks
 - Embedded Control System Design A Model Based Approach Public Domain eBooks
 - Embedded Control System Design A Model Based Approach eBook Subscription Services
 - Embedded Control System Design A Model Based Approach Budget-Friendly Options
6. Navigating Embedded Control System Design A Model Based Approach eBook Formats
 - ePub, PDF, MOBI, and More
 - Embedded Control System Design A Model Based Approach Compatibility with Devices
 - Embedded Control System Design A Model Based Approach Enhanced eBook Features
7. Enhancing Your Reading Experience
 - Adjustable Fonts and Text Sizes of Embedded Control System Design A Model Based Approach
 - Highlighting and Note-Taking Embedded Control System Design A Model Based Approach
 - Interactive Elements Embedded Control System Design A Model Based Approach
8. Staying Engaged with Embedded Control System Design A Model Based Approach
 - Joining Online Reading Communities
 - Participating in Virtual Book Clubs
 - Following Authors and Publishers Embedded Control System Design A Model Based Approach
9. Balancing eBooks and Physical Books Embedded Control System Design A Model Based Approach
 - Benefits of a Digital Library
 - Creating a Diverse Reading Collection Embedded Control System Design A Model Based Approach
10. Overcoming Reading Challenges
 - Dealing with Digital Eye Strain
 - Minimizing Distractions
 - Managing Screen Time
11. Cultivating a Reading Routine Embedded Control System Design A Model Based Approach
 - Setting Reading Goals Embedded Control System Design A Model Based Approach
 - Carving Out Dedicated Reading Time
12. Sourcing Reliable Information of Embedded Control System Design A Model Based Approach
 - Fact-Checking eBook Content of Embedded Control System Design A Model Based Approach
 - Distinguishing Credible Sources
13. Promoting Lifelong Learning

- Utilizing eBooks for Skill Development
 - Exploring Educational eBooks
14. Embracing eBook Trends
- Integration of Multimedia Elements
 - Interactive and Gamified eBooks

Embedded Control System Design A Model Based Approach Introduction

In this digital age, the convenience of accessing information at our fingertips has become a necessity. Whether its research papers, eBooks, or user manuals, PDF files have become the preferred format for sharing and reading documents. However, the cost associated with purchasing PDF files can sometimes be a barrier for many individuals and organizations. Thankfully, there are numerous websites and platforms that allow users to download free PDF files legally. In this article, we will explore some of the best platforms to download free PDFs. One of the most popular platforms to download free PDF files is Project Gutenberg. This online library offers over 60,000 free eBooks that are in the public domain. From classic literature to historical documents, Project Gutenberg provides a wide range of PDF files that can be downloaded and enjoyed on various devices. The website is user-friendly and allows users to search for specific titles or browse through different categories. Another reliable platform for downloading Embedded Control System Design A Model Based Approach free PDF files is Open Library. With its vast collection of over 1 million eBooks, Open Library has something for every reader. The website offers a seamless experience by providing options to borrow or download PDF files. Users simply need to create a free account to access this treasure trove of knowledge. Open Library also allows users to contribute by uploading and sharing their own PDF files, making it a collaborative platform for book enthusiasts. For those interested in academic resources, there are websites dedicated to providing free PDFs of research papers and scientific articles. One such website is Academia.edu, which allows researchers and scholars to share their work with a global audience. Users can download PDF files of research papers, theses, and dissertations covering a wide range of subjects. Academia.edu also provides a platform for discussions and networking within the academic community. When it comes to downloading Embedded Control System Design A Model Based Approach free PDF files of magazines, brochures, and catalogs, Issuu is a popular choice. This digital publishing platform hosts a vast collection of publications from around the world. Users can search for specific titles or explore various categories and genres. Issuu offers a seamless reading experience with its user-friendly interface and allows users to download PDF files for offline reading. Apart from dedicated platforms, search engines also play a crucial role in finding free PDF files. Google, for instance, has an advanced search feature that allows users to filter results by file type. By specifying the file type as "PDF," users can find websites that offer free PDF downloads on a specific topic. While downloading

Embedded Control System Design A Model Based Approach free PDF files is convenient, its important to note that copyright laws must be respected. Always ensure that the PDF files you download are legally available for free. Many authors and publishers voluntarily provide free PDF versions of their work, but its essential to be cautious and verify the authenticity of the source before downloading Embedded Control System Design A Model Based Approach. In conclusion, the internet offers numerous platforms and websites that allow users to download free PDF files legally. Whether its classic literature, research papers, or magazines, there is something for everyone. The platforms mentioned in this article, such as Project Gutenberg, Open Library, Academia.edu, and Issuu, provide access to a vast collection of PDF files. However, users should always be cautious and verify the legality of the source before downloading Embedded Control System Design A Model Based Approach any PDF files. With these platforms, the world of PDF downloads is just a click away.

FAQs About Embedded Control System Design A Model Based Approach Books

How do I know which eBook platform is the best for me? Finding the best eBook platform depends on your reading preferences and device compatibility. Research different platforms, read user reviews, and explore their features before making a choice. Are free eBooks of good quality? Yes, many reputable platforms offer high-quality free eBooks, including classics and public domain works. However, make sure to verify the source to ensure the eBook credibility. Can I read eBooks without an eReader? Absolutely! Most eBook platforms offer webbased readers or mobile apps that allow you to read eBooks on your computer, tablet, or smartphone. How do I avoid digital eye strain while reading eBooks? To prevent digital eye strain, take regular breaks, adjust the font size and background color, and ensure proper lighting while reading eBooks. What the advantage of interactive eBooks? Interactive eBooks incorporate multimedia elements, quizzes, and activities, enhancing the reader engagement and providing a more immersive learning experience. Embedded Control System Design A Model Based Approach is one of the best book in our library for free trial. We provide copy of Embedded Control System Design A Model Based Approach in digital format, so the resources that you find are reliable. There are also many Ebooks of related with Embedded Control System Design A Model Based Approach. Where to download Embedded Control System Design A Model Based Approach online for free? Are you looking for Embedded Control System Design A Model Based Approach PDF? This is definitely going to save you time and cash in something you should think about. If you trying to find then search around for online. Without a doubt there are numerous these available and many of them have the freedom. However without doubt you receive whatever you purchase. An alternate way to get ideas is always to check another Embedded Control System Design A Model Based Approach. This method for see exactly what may be included and adopt these ideas to your book. This site will almost certainly help you save time and effort, money and stress. If you are looking for

free books then you really should consider finding to assist you try this. Several of Embedded Control System Design A Model Based Approach are for sale to free while some are payable. If you arent sure if the books you would like to download works with for usage along with your computer, it is possible to download free trials. The free guides make it easy for someone to free access online library for download books to your device. You can get free download on free trial for lots of books categories. Our library is the biggest of these that have literally hundreds of thousands of different products categories represented. You will also see that there are specific sites catered to different product types or categories, brands or niches related with Embedded Control System Design A Model Based Approach. So depending on what exactly you are searching, you will be able to choose e books to suit your own need. Need to access completely for Campbell Biology Seventh Edition book? Access Ebook without any digging. And by having access to our ebook online or by storing it on your computer, you have convenient answers with Embedded Control System Design A Model Based Approach To get started finding Embedded Control System Design A Model Based Approach, you are right to find our website which has a comprehensive collection of books online. Our library is the biggest of these that have literally hundreds of thousands of different products represented. You will also see that there are specific sites catered to different categories or niches related with Embedded Control System Design A Model Based Approach So depending on what exactly you are searching, you will be able to choose ebook to suit your own need. Thank you for reading Embedded Control System Design A Model Based Approach. Maybe you have knowledge that, people have search numerous times for their favorite readings like this Embedded Control System Design A Model Based Approach, but end up in harmful downloads. Rather than reading a good book with a cup of coffee in the afternoon, instead they juggled with some harmful bugs inside their laptop. Embedded Control System Design A Model Based Approach is available in our book collection an online access to it is set as public so you can download it instantly. Our digital library spans in multiple locations, allowing you to get the most less latency time to download any of our books like this one. Merely said, Embedded Control System Design A Model Based Approach is universally compatible with any devices to read.

Find Embedded Control System Design A Model Based Approach :

[for beginners explained for small business 11-1287 coding for beginners](#)

United States 11-2685 ecommerce trends for beginners United States

[online privacy step by step for creators 11-421 online privacy step by](#)

[small business 11-1883 cybersecurity case study for startups 11-1962](#)

[development tips for entrepreneurs 11-1881 chatbot development tools](#)

[practices USA 11-2942 interview tips blueprint for entrepreneurs 11-2476](#)

11-1170 AI marketing blueprint America 11-2941 AI marketing blueprint

[self improvement examples America 11-2839](#) [self improvement examples for startups 11-2557](#) [wearable technology examples USA 11-701](#) [wearable learning basics explained United States 11-925](#) [machine learning basics 11-2224](#) **interview tips strategies USA 11-909** **interview tips tips USA** [funding case study for startups 11-2471](#) [startup funding checklist guide for startups 11-2522](#) [personal finance ideas America 11-2246](#) **dropshipping business tips America 11-2305** **dropshipping business tips** [case study for creators 11-2495](#) [YouTube growth case study for](#)

Embedded Control System Design A Model Based Approach :

[virelangues 1cd audio cd condition good 9782916681146](#) - Jun 13 2023

web jun 6 2023 find many great new used options and get the best deals for virelangues 1cd audio cd condition good at the best online prices at ebay free delivery for many products

[virelangues 1cd audio clr imymac com](#) - Dec 27 2021

web virelangues 1cd audio downloaded from clr imymac com by guest lloyd avila caste alfred music a complete guide to the methodology and practice of task based language teaching for those who wish to adopt a genuinely learner centred approach to their teaching probably the definitive guide to task based language teaching

[virelangues pour tous les gourmands de mots et de sons a](#) - Jan 08 2023

web un virelangue ou casse langue ou fourchelangue est une locution ou une phrase ou un petit groupe de phrases à caractère ludique caractérisée par sa difficulté de prononciation ou de compréhension orale voire les deux à la fois on parle aussi de trompe oreilles lorsqu'une phrase est difficile à comprendre et donne l'impression d'être en langue

[virelangues 1cd audio cyberlab sutd edu sg](#) - Jan 28 2022

web virelangues 1cd audio over the rainbow jun 01 2022 take a magical journey over the rainbow this classic song has been transformed into a magnificent picture pc audio editing with adobe audition 2 0 jul 10 2020 get up to speed quickly and gain the working knowledge you need with this clear practical guide to adobe s audition 2 0

virelangues 1cd audio by katy maillet beatrice couprie test - Jul 02 2022

web jun 30 2023 virelangues 1cd audio by katy maillet beatrice couprie you wont be bewildered to enjoy every book compilations virelangues 1cd audio by katy maillet beatrice couprie that we will surely offer along with guides you could indulge in the present is virelangues 1cd audio by katy maillet beatrice couprie below it is your surely

virelangues 1cd audio french edition album amazon com - May 12 2023

web mar 20 2009 virelangues 1cd audio french edition maillet bÉatrice on amazon com free shipping on qualifying offers
virelangues 1cd audio french edition

virelangues 1cd audio by katy maillet beatrice couprie - Oct 05 2022

web april 4th 2020 noté 5 retrouvez virelangues 1cd audio et des millions de livres en stock sur fr achetez neuf ou d occasion
virelangues abebooks april 23rd 2020 virelangues et trompe oreilles de galeron henri et d autres livres articles d art et de
collection similaires disponibles sur abebooks fr

virelangues 1cd audio maillet bÉatrice 9782916681146 - Apr 11 2023

web virelangues 1cd audio de maillet bÉatrice en iberlibro com isbn 10 2916681140 isbn 13 9782916681146 enfance mus liv
2009

virelangues 1cd audio maillet bÉatrice 9782916681146 - Aug 15 2023

web virelangues 1cd audio by maillet bÉatrice at abebooks co uk isbn 10 2916681140 isbn 13 9782916681146 enfance mus
liv 2009

les virelangues 10 tongue twisters to improve your french - Dec 07 2022

web aug 31 2018 the following virelangues tongue twisters aside from being fun to muddle through will help you pick up
little tricks to getting the accent down and leaving common american english speech patters behind

virelangues 1cd audio label emmaüs - Feb 09 2023

web virelangues 1cd audio en saisissant votre code postal les produits seront triés du plus près au plus loin de chez vous

virelangues 1cd audio copy - Nov 06 2022

web feb 28 2023 virelangues 1cd audio this is likewise one of the factors by obtaining the soft documents of this virelangues
1cd audio by online you might not require more times to spend to go to the ebook creation as competently as search for them
in some cases you likewise get not discover the broadcast virelangues 1cd audio that you are looking for

virelangues 1cd audio - Apr 30 2022

web 2 virelangues 1cd audio 2020 10 09 you get acquainted with the orchestras and musicians that bring the composers to
life whether you want to play classical music or just learn more about it classical music for dummies will teach you
everything you need to know to get the most out of this increasingly popular genre distinguish flute from

virelangues 1cd audio - Feb 26 2022

web virelangues 1cd audio 3 3 emeritus u of montreal discusses general issues concerning oral poetry from primary to
mechanized orality including the setting of text to music the forms of oral poetry the epic in the west africa and other parts of
the globe the oral poet s texte performance in its

virelangue translation in english french english dictionary - Jun 01 2022

web strč prst skrz krk strč prst skrz krk est un virelanguage des langues tchèque et slovaque qui signifie enfonce ton doigt dans ta gorge play media strč prst skrz krk help info is a czech and slovak tongue twister meaning stick a finger through the throat en 1908 terry sullivan a écrit une chanson qui intégrait ce

virelangues 1cd audio help environment harvard edu - Mar 30 2022

web virelangues 1cd audio is affable in our digital library an online admission to it is set as public therefore you can download it instantly our digital library saves in merged countries allowing you to get the most less latency epoch to download any of our books next this one merely said the virelangues 1cd audio is universally compatible later

virelangues 1cd audio old vulkk com - Mar 10 2023

web virelangues 1cd audio 3 3 and c levels a replacement scale for phonological competence new scales for mediation online interaction and plurilingual pluricultural competence new scales for sign language competence a short report on the four year development validation and consultation processes the cefr companion volume

virelanguage en anglais explication et exercices de prononciation - Aug 03 2022

web sep 23 2020 virelanguage et prononciation anglaise les virelangues sont de courtes phrases ou séries de mots qui comportent des sons et variations de mêmes sons difficiles à prononcer énoncées rapidement ces virelangues n ont pas toujours vraiment de sens mais ils sont très souvent amusants ainsi ils s avèrent être de bons exercices pour

virelangues 1cd audio amazon fr - Jul 14 2023

web noté 5 retrouvez virelangues 1cd audio et des millions de livres en stock sur amazon fr achetez neuf ou d occasion

virelangues 1cd audio by katy maillet beatrice couprie - Sep 04 2022

web virelangues 1cd audio by katy maillet beatrice couprie quatre coqs coquets le grand livre des virelangues par march 31st 2020 quatre coqs coquets le grand livre des virelangues par jean hugues malineau isbn 2226149392 Éditeur albin michel jeunesse 01 10 2005 format du livre numérique pdf txt epub fbf rtf fb2

h schnarr grain size determination on austenitic steels - Apr 30 2022

web die din en iso 643 die teile der astm e 112 beinhaltet weiterhin stand die sichtung gän giger präparationsmethoden in anlehnung an die din im vordergrund sofern dort empfehlungen ausgesprochen wurden die vorangehende präparation und das verfahren zur bestimmung der korngroße waren frei wählbar diese werden in der

astm e 643 2015 standard test method for ball punch - May 12 2023

web buy astm e 643 2015 standard test method for ball punch deformation of metallic sheet material from sai global

astm e643 standard test method for ball punch deformation - Jul 02 2022

web astm e643 this test method covers the procedure for conducting the ball punch deformation test for metallic sheet materials intended for forming applications the test applies to specimens with thicknesses between 0 008 and 0 080 in 0 2

and 2 0 mm

international standard 643 - Sep 04 2022

web international standard iso 643 2003 e iso 2003 all rights reserved 1 steels micrographic determination of the apparent grain size 1 scope this international standard specifies a micrographic method of determining apparent ferritic or

international iso standard 643 - Dec 27 2021

web international standard iso 643 2019 e steels micrographic determination of the apparent grain size 1 scope this document specifies a micrographic method of determining apparent ferritic or austenitic grain size in steels it describes the methods of revealing grain boundaries and of estimating the mean grain

astm e643 ball punch deformation testing of metallic sheet trl - Feb 09 2023

web astm e643 ball punch deformation testing of metallic sheet material to request a quotation for any test email info trl com for a prompt reply the ball punch deformation test is used for evaluating the ductility of metallic sheet materials the test involves biaxial stretching of a constrained test specimen

astm e643 84 qualitest worldoftest com - Jan 28 2022

web astm e643 84 breadcrumb home standard test method for ball punch deformation of metallic sheet material contact qualitest phone 1 877 884 8378 fax 954 697 8211 email info qualitest inc com please contact us for the nearest office distributor sales office to you news

astm e643 15 1 5 2015 technical standard mystandards - Aug 03 2022

web jan 5 2015 standard astm e643 15 1 5 2015 standard test method for ball punch deformation of metallic sheet material

astm e643 standard test method for ball punch deformation of metallic - Jul 14 2023

web may 1 2015 astm e643 2015 edition may 1 2015 standard test method for ball punch deformation of metallic sheet material this test method covers the procedure for conducting the ball punch deformation test for metallic sheet materials intended for

astm e643 09 standards list - Feb 26 2022

web it is the responsibility of the user of this standard to establish appropriate safety and health practices and determine the applicability of regulatory limitations prior to use product details published

astm e 643 2015 standard test method for ball punch - Jun 01 2022

web buy astm e 643 2015 standard test method for ball punch deformation of metallic sheet material from nsai

e643 standard test method for ball punch astm international - Aug 15 2023

web dec 27 2016 scope 1 1 this test method covers the procedure for conducting the ball punch deformation test for metallic sheet materials intended for forming applications the test applies to specimens with thicknesses between 0 008 and

0 080 in 0 2 and 2 0 mm

astm international astm e643 09 standard test - Nov 06 2022

web jan 1 2000 view more scope 1 1 this test method covers the procedure for conducting the ball punch deformation test for metallic sheet materials intended for forming applications the test applies to specimens with thicknesses between 0 008 and 0 080 in

astm e643 15 cgsb ongc techstreet - Jan 08 2023

web astm e643 15 standard test method for ball punch deformation of metallic sheet material standard by astm international 05 01 2015 view all product details

astm e643 standard test method for ball punch deformation - Apr 11 2023

web astm e643 standard test method for ball punch deformation of metallic sheet material ics number code 77 040 10 mechanical testing of metals astm e643 standard

astm e643 techlab systems - Mar 30 2022

web standard test method for the deformation of sheet metal material by the ball punch the ball punch deformation test is widely used to evaluate and compare the formability of metallic sheet materials biaxial stretching is the predominant mode of deformation that occurs during the test and therefore the results are used more frequently to

astm e643 standard test method for ball punch deformation - Jun 13 2023

web astm e643 this test method covers the procedure for conducting the ball punch deformation test for metallic sheet materials intended for tr en tel 0 312 394 28 68

astm e643 ball punch deformation of metallic sheet material - Oct 05 2022

web astm e643 covers the procedure for conducting the ball punch deformation test for metallic sheet materials intended for forming applications the test applies to specimens with thicknesses between 0 008 and 0 080 in

astm e643 09 standard test method for ball punch - Dec 07 2022

web standard test method for ball punch deformation of metallic sheet material 1 1 this test method covers the procedure for conducting the ball punch deformation test for metallic sheet materials intended for forming applications

astm e643 15 techstreet - Mar 10 2023

web astm e643 15 standard test method for ball punch deformation of metallic sheet material standard by astm international 05 01 2015 view all product details

the lustful youth of rodrigo borgia english edition kindle - Feb 10 2023

web feb 9 2016 the lustful youth of rodrigo borgia english edition kindle edition by michela martignoni elena martignoni lori hetherington download it once and read it on your kindle device pc phones or tablets use features like bookmarks note taking

and highlighting while reading the lustful youth of rodrigo borgia english edition

the lustful youth of rodrigo borgia by michela martignoni - Jul 15 2023

web the lustful youth of rodrigo borgia book read reviews from world s largest community for readers rodrigo borgia is destined to become pope alexander vi

the lustful youth of rodrigo borgia scribd - Apr 12 2023

web feb 9 2016 read the lustful youth of rodrigo borgia by michela martignoni elena martignoni lori hetherington with a free trial read millions of ebooks and audiobooks on the web ipad iphone and android

the lustful youth of rodrigo borgia english editi kevin ingram - Mar 31 2022

web lucrezia borgia catalan lucrècia catalan pronunciation 18 april 1480 24 june 1519 was the illegitimate daughter of rodrigo borgia the powerful renaissance valencian who later became pope alexander vi and vannozza dei cattanei her brothers included cesare borgia giovanni borgia and gioffre borgia it is often

amazon it recensioni clienti the lustful youth of rodrigo borgia - Oct 06 2022

web consultare utili recensioni cliente e valutazioni per the lustful youth of rodrigo borgia english edition su amazon it consultare recensioni obiettive e imparziali sui prodotti fornite dagli utenti

youthful folly 1934 imdb - Jan 29 2022

web youthful folly directed by miles mander with irene vanbrugh jane carr mary lawson grey blake a smart mayfair society girl notorious for her many engagements and tired of the usual set becomes interested in a young musician from balham and readily uses her influence on his behalf they full in love but the musician s sister begs her to let him go

the lustful youth of rodrigo borgia overdrive - Jan 09 2023

web the lustful youth of rodrigo borgia overdrive

the lustful youth of rodrigo borgia english edition ebook - Nov 07 2022

web lee ahora en digital con la aplicación gratuita kindle

the lustful youth of rodrigo borgia english editi pdf staging - Mar 11 2023

web oct 24 2022 when cardinal rodrigo borgia buys his way into the papacy as alexander vi he is defined not just by his wealth or his passionate love for his illegitimate children but by his blood he is a spanish pope in a city run by italians

the lustful youth of rodrigo borgia english editi pdf 2023 - Feb 27 2022

web mar 6 2023 books following this the lustful youth of rodrigo borgia english editi pdf but end up in harmful downloads rather than enjoying a good book bearing in mind a cup of coffee in the afternoon on the other hand

the lustful youth of rodrigo borgia english editi pdf copy - Sep 05 2022

web may 29 2023 we meet the expense of the lustful youth of rodrigo borgia english editi pdf and numerous book

collections from fictions to scientific research in any way in the middle of them is this the lustful youth of rodrigo borgia english editi pdf that can be your partner the lustful youth of rodrigo borgia english editi pdf 2023

[the lustful youth of rodrigo borgia kindle edition amazon com](#) - Jun 14 2023

web feb 9 2016 the lustful youth of rodrigo borgia kindle edition by michela martignoni elena martignoni lori hetherington religion spirituality kindle ebooks amazon com

the lustful youth of rodrigo borgia english editi pdf pdf - Aug 04 2022

web jun 11 2023 the lustful youth of rodrigo borgia english editi pdf when somebody should go to the books stores search inauguration by shop shelf by shelf it is truly problematic this is why we give the books compilations in this website it will extremely ease you to see guide the lustful youth of rodrigo borgia english editi pdf as you

[the lustful youth of rodrigo borgia kindle edition amazon com au](#) - Dec 08 2022

web the lustful youth of rodrigo borgia ebook michela martignoni elena martignoni lori hetherington amazon com au kindle store

[the lustful youth of rodrigo borgia english editi](#) - Jul 03 2022

web lustful youth of rodrigo borgia english editi can be one of the options to accompany you as soon as having new time it will not waste your time assume me the e book will certainly announce you supplementary situation to read just invest tiny era to read this on line proclamation the lustful youth of rodrigo borgia english editi as

[the lustful youth of rodrigo borgia english edition](#) - Aug 16 2023

web rodrigo borgia is destined to become pope alexander vi one of the most powerful and corrupt men of the 15th century but what of his youth called to rome with his brother at seventeen the hot blooded spaniard seeks lessons in love from noblewomen and prostitutes and wealth and power through collusion with cardinals prelates and the

[the lustful youth of rodrigo borgia english editi pdf staging](#) - May 13 2023

web nov 20 2022 this new edition of gregorovius s classic work lucrezia borgia is enhanced with an introduction by samantha morris a noted expert on the history of the borgias

the lustful youth of rodrigo borgia english editi pdf copy - May 01 2022

web the lustful youth of rodrigo borgia english editi pdf whispering the secrets of language an emotional journey through the lustful youth of rodrigo borgia english editi pdf in a digitally driven earth wherever displays reign supreme and instant connection drowns out the subtleties of language the profound secrets and psychological nuances

the lustful youth of rodrigo borgia english editi uniport edu - Jun 02 2022

web the lustful youth of rodrigo borgia english editi 1 6 downloaded from uniport edu ng on april 14 2023 by guest the lustful youth of rodrigo borgia english editi recognizing the quirk ways to acquire this books the lustful youth of rodrigo borgia

english editi is additionally useful

beautiful youth wikipedia - Dec 28 2021

web beautiful youth spanish hermosa juventud is a 2014 spanish french drama film directed by jaime rosales it was selected to compete in the un certain regard section at the 2014 cannes film festival where it won a commendation from the ecumenical jury