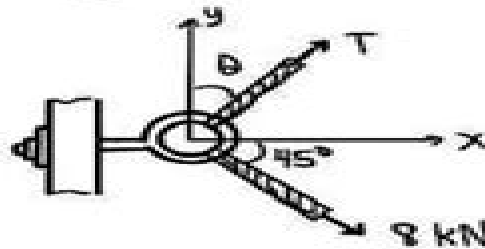


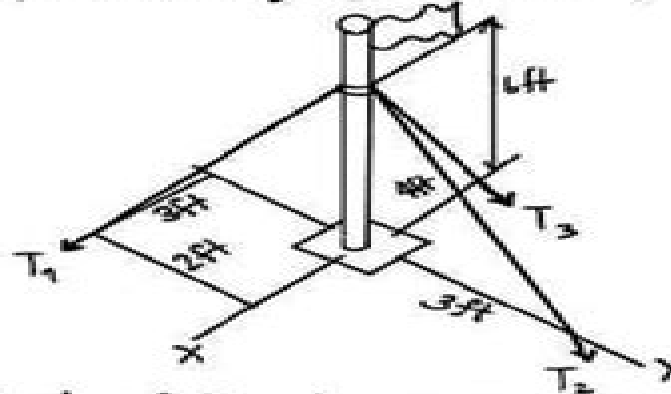
# ENGINEERING MECHANICS EXAM

Problem Solving:

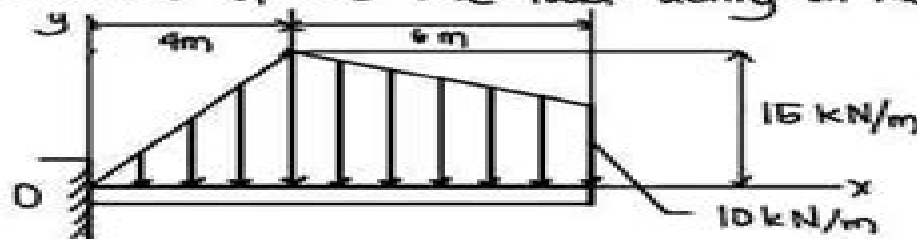
- 1) If the magnitude of the resultant force is to be 9 kN directed along the positive x axis, determine the magnitude of force T acting on the eyebolt and its angle  $\theta$ .



- 2) Find the resultant or equivalent force acting on the guy wires on the flag pole. Use  $T_1 = 200$  lb,  $T_2 = 400$  lb,  $T_3 = 350$  lb.



- 3) Determine the resultant of the line load acting on the beam as shown:



# Engineering Mechanics Questions Solutions

**EW Minium**



## **Engineering Mechanics Questions Solutions:**

Engineering Mechanics Questions Solutions: Bestsellers in 2023 The year 2023 has witnessed a noteworthy surge in literary brilliance, with numerous captivating novels enthraling the hearts of readers worldwide. Lets delve into the realm of top-selling books, exploring the engaging narratives that have captivated audiences this year. The Must-Read : Colleen Hoover "It Ends with Us" This heartfelt tale of love, loss, and resilience has gripped readers with its raw and emotional exploration of domestic abuse. Hoover skillfully weaves a story of hope and healing, reminding us that even in the darkest of times, the human spirit can succeed. Uncover the Best : Taylor Jenkins Reids "The Seven Husbands of Evelyn Hugo" This spellbinding historical fiction novel unravels the life of Evelyn Hugo, a Hollywood icon who defies expectations and societal norms to pursue her dreams. Reids captivating storytelling and compelling characters transport readers to a bygone era, immersing them in a world of glamour, ambition, and self-discovery. Discover the Magic : Delia Owens "Where the Crawdads Sing" This captivating coming-of-age story follows Kya Clark, a young woman who grows up alone in the marshes of North Carolina. Owens weaves a tale of resilience, survival, and the transformative power of nature, captivating readers with its evocative prose and mesmerizing setting. These popular novels represent just a fraction of the literary treasures that have emerged in 2023. Whether you seek tales of romance, adventure, or personal growth, the world of literature offers an abundance of captivating stories waiting to be discovered. The novel begins with Richard Papen, a bright but troubled young man, arriving at Hampden College. Richard is immediately drawn to the group of students who call themselves the Classics Club. The club is led by Henry Winter, a brilliant and charismatic young man. Henry is obsessed with Greek mythology and philosophy, and he quickly draws Richard into his world. The other members of the Classics Club are equally as fascinating. Bunny Corcoran is a wealthy and spoiled young man who is always looking for a good time. Charles Tavis is a quiet and reserved young man who is deeply in love with Henry. Camilla Macaulay is a beautiful and intelligent young woman who is drawn to the power and danger of the Classics Club. The students are all deeply in love with Morrow, and they are willing to do anything to please him. Morrow is a complex and mysterious figure, and he seems to be manipulating the students for his own purposes. As the students become more involved with Morrow, they begin to commit increasingly dangerous acts. The Secret History is a exceptional and thrilling novel that will keep you speculating until the very end. The novel is a cautionary tale about the dangers of obsession and the power of evil.

[https://py.bijouxmedusa.com/book/uploaded-files/Documents/Assassins\\_Creed\\_The\\_Complete\\_Visual\\_History\\_By\\_Free.pdf](https://py.bijouxmedusa.com/book/uploaded-files/Documents/Assassins_Creed_The_Complete_Visual_History_By_Free.pdf)

**Table of Contents Engineering Mechanics Questions Solutions**

1. Understanding the eBook Engineering Mechanics Questions Solutions
  - The Rise of Digital Reading Engineering Mechanics Questions Solutions
  - Advantages of eBooks Over Traditional Books
2. Identifying Engineering Mechanics Questions Solutions
  - Exploring Different Genres
  - Considering Fiction vs. Non-Fiction
  - Determining Your Reading Goals
3. Choosing the Right eBook Platform
  - Popular eBook Platforms
  - Features to Look for in an Engineering Mechanics Questions Solutions
  - User-Friendly Interface
4. Exploring eBook Recommendations from Engineering Mechanics Questions Solutions
  - Personalized Recommendations
  - Engineering Mechanics Questions Solutions User Reviews and Ratings
  - Engineering Mechanics Questions Solutions and Bestseller Lists
5. Accessing Engineering Mechanics Questions Solutions Free and Paid eBooks
  - Engineering Mechanics Questions Solutions Public Domain eBooks
  - Engineering Mechanics Questions Solutions eBook Subscription Services
  - Engineering Mechanics Questions Solutions Budget-Friendly Options
6. Navigating Engineering Mechanics Questions Solutions eBook Formats
  - ePub, PDF, MOBI, and More
  - Engineering Mechanics Questions Solutions Compatibility with Devices
  - Engineering Mechanics Questions Solutions Enhanced eBook Features
7. Enhancing Your Reading Experience
  - Adjustable Fonts and Text Sizes of Engineering Mechanics Questions Solutions
  - Highlighting and Note-Taking Engineering Mechanics Questions Solutions
  - Interactive Elements Engineering Mechanics Questions Solutions
8. Staying Engaged with Engineering Mechanics Questions Solutions

- Joining Online Reading Communities
  - Participating in Virtual Book Clubs
  - Following Authors and Publishers Engineering Mechanics Questions Solutions
9. Balancing eBooks and Physical Books Engineering Mechanics Questions Solutions
- Benefits of a Digital Library
  - Creating a Diverse Reading Collection Engineering Mechanics Questions Solutions
10. Overcoming Reading Challenges
- Dealing with Digital Eye Strain
  - Minimizing Distractions
  - Managing Screen Time
11. Cultivating a Reading Routine Engineering Mechanics Questions Solutions
- Setting Reading Goals Engineering Mechanics Questions Solutions
  - Carving Out Dedicated Reading Time
12. Sourcing Reliable Information of Engineering Mechanics Questions Solutions
- Fact-Checking eBook Content of Engineering Mechanics Questions Solutions
  - Distinguishing Credible Sources
13. Promoting Lifelong Learning
- Utilizing eBooks for Skill Development
  - Exploring Educational eBooks
14. Embracing eBook Trends
- Integration of Multimedia Elements
  - Interactive and Gamified eBooks

### Engineering Mechanics Questions Solutions Introduction

Free PDF Books and Manuals for Download: Unlocking Knowledge at Your Fingertips In today's fast-paced digital age, obtaining valuable knowledge has become easier than ever. Thanks to the internet, a vast array of books and manuals are now available for free download in PDF format. Whether you are a student, professional, or simply an avid reader, this treasure trove of downloadable resources offers a wealth of information, conveniently accessible anytime, anywhere. The advent of online libraries and platforms dedicated to sharing knowledge has revolutionized the way we consume information. No longer confined to physical libraries or bookstores, readers can now access an extensive collection of digital books and

manuals with just a few clicks. These resources, available in PDF, Microsoft Word, and PowerPoint formats, cater to a wide range of interests, including literature, technology, science, history, and much more. One notable platform where you can explore and download free Engineering Mechanics Questions Solutions PDF books and manuals is the internet's largest free library. Hosted online, this catalog compiles a vast assortment of documents, making it a veritable goldmine of knowledge. With its easy-to-use website interface and customizable PDF generator, this platform offers a user-friendly experience, allowing individuals to effortlessly navigate and access the information they seek. The availability of free PDF books and manuals on this platform demonstrates its commitment to democratizing education and empowering individuals with the tools needed to succeed in their chosen fields. It allows anyone, regardless of their background or financial limitations, to expand their horizons and gain insights from experts in various disciplines. One of the most significant advantages of downloading PDF books and manuals lies in their portability. Unlike physical copies, digital books can be stored and carried on a single device, such as a tablet or smartphone, saving valuable space and weight. This convenience makes it possible for readers to have their entire library at their fingertips, whether they are commuting, traveling, or simply enjoying a lazy afternoon at home. Additionally, digital files are easily searchable, enabling readers to locate specific information within seconds. With a few keystrokes, users can search for keywords, topics, or phrases, making research and finding relevant information a breeze. This efficiency saves time and effort, streamlining the learning process and allowing individuals to focus on extracting the information they need. Furthermore, the availability of free PDF books and manuals fosters a culture of continuous learning. By removing financial barriers, more people can access educational resources and pursue lifelong learning, contributing to personal growth and professional development. This democratization of knowledge promotes intellectual curiosity and empowers individuals to become lifelong learners, promoting progress and innovation in various fields. It is worth noting that while accessing free Engineering Mechanics Questions Solutions PDF books and manuals is convenient and cost-effective, it is vital to respect copyright laws and intellectual property rights. Platforms offering free downloads often operate within legal boundaries, ensuring that the materials they provide are either in the public domain or authorized for distribution. By adhering to copyright laws, users can enjoy the benefits of free access to knowledge while supporting the authors and publishers who make these resources available. In conclusion, the availability of Engineering Mechanics Questions Solutions free PDF books and manuals for download has revolutionized the way we access and consume knowledge. With just a few clicks, individuals can explore a vast collection of resources across different disciplines, all free of charge. This accessibility empowers individuals to become lifelong learners, contributing to personal growth, professional development, and the advancement of society as a whole. So why not unlock a world of knowledge today? Start exploring the vast sea of free PDF books and manuals waiting to be discovered right at your fingertips.

## FAQs About Engineering Mechanics Questions Solutions Books

How do I know which eBook platform is the best for me? Finding the best eBook platform depends on your reading preferences and device compatibility. Research different platforms, read user reviews, and explore their features before making a choice. Are free eBooks of good quality? Yes, many reputable platforms offer high-quality free eBooks, including classics and public domain works. However, make sure to verify the source to ensure the eBook credibility. Can I read eBooks without an eReader? Absolutely! Most eBook platforms offer webbased readers or mobile apps that allow you to read eBooks on your computer, tablet, or smartphone. How do I avoid digital eye strain while reading eBooks? To prevent digital eye strain, take regular breaks, adjust the font size and background color, and ensure proper lighting while reading eBooks. What the advantage of interactive eBooks? Interactive eBooks incorporate multimedia elements, quizzes, and activities, enhancing the reader engagement and providing a more immersive learning experience. Engineering Mechanics Questions Solutions is one of the best book in our library for free trial. We provide copy of Engineering Mechanics Questions Solutions in digital format, so the resources that you find are reliable. There are also many Ebooks of related with Engineering Mechanics Questions Solutions. Where to download Engineering Mechanics Questions Solutions online for free? Are you looking for Engineering Mechanics Questions Solutions PDF? This is definitely going to save you time and cash in something you should think about. If you trying to find then search around for online. Without a doubt there are numerous these available and many of them have the freedom. However without doubt you receive whatever you purchase. An alternate way to get ideas is always to check another Engineering Mechanics Questions Solutions. This method for see exactly what may be included and adopt these ideas to your book. This site will almost certainly help you save time and effort, money and stress. If you are looking for free books then you really should consider finding to assist you try this. Several of Engineering Mechanics Questions Solutions are for sale to free while some are payable. If you arent sure if the books you would like to download works with for usage along with your computer, it is possible to download free trials. The free guides make it easy for someone to free access online library for download books to your device. You can get free download on free trial for lots of books categories. Our library is the biggest of these that have literally hundreds of thousands of different products categories represented. You will also see that there are specific sites catered to different product types or categories, brands or niches related with Engineering Mechanics Questions Solutions. So depending on what exactly you are searching, you will be able to choose e books to suit your own need. Need to access completely for Campbell Biology Seventh Edition book? Access Ebook without any digging. And by having access to our ebook online or by storing it on your computer, you have convenient answers with Engineering Mechanics Questions Solutions To get started finding Engineering Mechanics Questions Solutions, you are right to find our website which has a comprehensive collection of books online. Our library is the biggest of these that have literally hundreds of thousands of different products represented. You will also see that there are specific sites

catered to different categories or niches related with Engineering Mechanics Questions Solutions So depending on what exactly you are searching, you will be able to choose ebook to suit your own need. Thank you for reading Engineering Mechanics Questions Solutions. Maybe you have knowledge that, people have search numerous times for their favorite readings like this Engineering Mechanics Questions Solutions, but end up in harmful downloads. Rather than reading a good book with a cup of coffee in the afternoon, instead they juggled with some harmful bugs inside their laptop. Engineering Mechanics Questions Solutions is available in our book collection an online access to it is set as public so you can download it instantly. Our digital library spans in multiple locations, allowing you to get the most less latency time to download any of our books like this one. Merely said, Engineering Mechanics Questions Solutions is universally compatible with any devices to read.

### **Find Engineering Mechanics Questions Solutions :**

~~assassins creed the complete visual history by free~~  
~~asunder~~

~~ask again later jill a davis~~

~~automata theory lecture notes~~

~~avanti portable washing machine manual~~

~~aspen hysys simulation of sulfuric acid plant~~

~~asterix y los juegos olimpicos spanish edition~~

~~astra z18xe engine service manual~~

~~audit wolters kluwer uk~~

~~austin healey sprite and midget workshop manual 1961 1974~~

~~automatic control systems kuo 8th edition~~

~~autocad electrical detailing training manual~~

**atkins physical chemistry 6th edition solution manual**

~~autodesk robot structural analysis professional~~

**aws solution architect certification questions**

### **Engineering Mechanics Questions Solutions :**

~~kennedy die berliner mauer und die kubakrise worldcat.org - Feb 09 2023~~

web kennedy die berliner mauer und die kubakrise die westliche allianz in der zerreiprobe 1961 1963

*c mnger die berliner mauer kennedy und die kubakrise* - Apr 30 2022

web die berliner mauer kennedy und die kubakrise die westliche allianz in der zerreiprobe 1961 1963 paderborn ferdinand schningh verlag 2003 404 s eur 39 00 gebunden isbn 978 3 506 77531 3 reviewed by gerhard wettig published on h soz u kult april 2004 christof mngers buch beruht auf ebenso ein

**historiker kennedy hat am skript fr die mauer mitgeschrieben** - Jul 02 2022

web aug 9 2011 aber dieser held kennedy der mythos ist eher 1962 geworden bei der kubakrise dann 1963 noch weitergegangen bei seiner berlin rede ich bin ein berliner aber man muss nicht vergessen dass es

**tage am abgrund die berlin politik in zeiten der kuba krise und** - Dec 27 2021

web oktober 1962 unterrichtete prsident kennedy die bevlkerung von den vorgngen auf kuba und den reaktionen der vereinigten staaten das excomm hatte sich fr die verhngung einer partiellen seeblockade mit gltigkeit ab dem 24

**kennedy die berliner mauer und die kubakrise google books** - Mar 10 2023

web dieses buch thematisiert eine schwere binnenwestliche krise die im schatten der groen weltbedrohenden ost west konflikte um berlin und kuba bislang weitgehend unbeachtet blieb 1961 bis

**us prsident kennedy und der mauerbau ich bin doch kein berliner** - Mar 30 2022

web aug 13 2011 besser als ein krieg us prsident kennedy akzeptierte den mauerbau und lie sowjetfhrer chruschtschow frh wissen dass die abriegelung des ostens keine konsequenzen nach sich ziehen

die berliner mauer kennedy und die kubakrise bcher de - Aug 03 2022

web ein politischer graben im westlichen bndnis zwischen den usa und grobritannien einerseits und frankreich und deutschland andererseits er tat sich schon einmal auf vor ber 40 jahren als die berliner mauer gebaut wurde und die sowjetunion ein jahr spter raketen vor der haustr der vereinigten staaten stationierte

**3506775316 die berliner mauer kennedy und die kubakrise** - Sep 04 2022

web die berliner mauer kennedy und die kubakrise finden sie alle bcher von christof mnger bei der bchersuchmaschine eurobuch com knnen sie antiquarische und neubcher vergleichen und sofort zum bestpreis bestellen 3506775316 ein politischer graben im westlichen bndnis zwischen den usa und

**gefahr fr berlin willy brandt und konrad adenauer swr de** - Jan 28 2022

web oct 13 2022 23 bis 25 10 1962 die ankndigung john f kennedys einer seeblockade kubas und die informationen dass die sowjetunion raketen dort stationiert hat lst weltweit besorgnis aus

*die berliner mauer kennedy und die kubakrise buch weltbild* - Feb 26 2022

web bcher online shop die berliner mauer kennedy und die kubakrise von christof mnger bei weltbild bestellen und von

der kostenlosen lieferung profitieren versandkostenfrei 30 tage widerrufsrecht rechnungskauf nur bei weltbild newsletter fr 5 rabatt newsletter jetzt fr 5 rabatt sichern

**die berliner mauer kennedy und die kubakrise die westliche** - Jun 13 2023

web die berliner mauer kennedy und die kubakrise die westliche allianz in der zerreiprobe 1961 1963 sammlung schningh zur geschichte und gegenwart mnger christof isbn 9783506775313 kostenloser versand fr alle bcher mit versand und verkauf duch amazon

**kennedy die berliner mauer und die kubakrise worldcat org** - Jan 08 2023

web kennedy die berliner mauer und die kubakrise die westliche allianz in der zerreiprobe 1961 1963

**c mnger die berliner mauer kennedy und die kubakrise h** - Apr 11 2023

web rezension zu review of mnger christof die berliner mauer kennedy und die kubakrise die westliche allianz in der zerreiprobe 1961 1963 rezension zu c mnger die berliner mauer kennedy und die kubakrise h soz kult

*die berliner mauer kennedy und die kubakrise brill* - Aug 15 2023

web nov 5 2003 dieses buch thematisiert eine schwere binnenwestliche krise die im schatten der groen weltbedrohenden ost west konflikte um berlin und kuba bislang weitgehend unbeachtet blieb 1961 bis 1963 kam es in der westlichen allianz zu einer bis dahin nicht gekannten zerreiprobe weil man sich nicht einigen konnte wie auf die

*christof mnger kennedy die berliner mauer und die kubakrise* - Jun 01 2022

web auenpolitik kennedys mnger nutzt gekonnt die krisen in berlin und kuba um die beziehungen innerhalb der nato zu beleuchten und schildert in lebendiger sprache die tiefen zerwrnisse innerhalb des westlichen bndnisses obschon seit langem bekannt war dass die nato zu beginn der 1960er jahre in schweres wasser gekommen war

kennedy und die kuba krise 1962 zdfmediathek - May 12 2023

web may 22 2017 kennedy und die kuba krise 1962 drohender atomkrieg mit der sowjetunion als die russen raketen auf kuba also vor der haustr der amerikaner stationieren eskaliert der streit der supermchte

*kennedy die berliner mauer und die kubakrise perlentaucher* - Jul 14 2023

web whrend in der berlin krise adenauer und de gaulle fr einen kompromisslosen kurs gegenber dem osten waren zeigten sich kennedy und macmillan konzessionsbereit erst nachdem kennedy in der kubakrise einen groen erfolg verbuchen konnte gelang es den usa sich gegenber bonn und paris durchzusetzen

christof mnger kennedy die berliner mauer und die kubakrise die - Oct 05 2022

web jan 1 2006 christof mnger kennedy die berliner mauer und die kubakrise die westliche allianz in der zerreiprobe 1961 63 christian nuenlist author and article

**die berliner mauer kennedy und die kubakrise orell fssli** - Nov 06 2022

web dieses buch thematisiert eine schwere binnenwestliche krise die im schatten der grossen weltbedrohenden ost west konflikte um berlin und kuba bislang weitgehend unbeachtet blieb 1961 bis 1963 kam es in der westlichen allianz zu einer bis dahin nicht gekannten zerreissprobe weil man sich nicht einigen konnte wie auf die sowjetischen druck

*die berliner mauer kennedy und die kubakrise die westliche* - Dec 07 2022

web nov 5 2003 die berliner mauer kennedy und die kubakrise die westliche allianz in der zerreiprobe 1961 1963 sammlung schningh zur geschichte und gegenwart german edition mnger christof on amazon com free shipping on qualifying offers

*150 impressive architecture thesis topics to focus on* - Dec 28 2021

web aug 8 2023 list of architecture thesis topics and ideas as the architecture subject is wide to help you with the thesis topic selection process here we have compiled a list of a few top architecture thesis topics that will help

95 architecture thesis topics - Feb 27 2022

web below are several examples of thesis titles and topics for research paper in both a qualitative and quantitative approach to architecture thesis examples of titles topics for architecture thesis or research paper vertical housing as an alternative in l a executive hotel in corona usa prototype of prefabricated and progressive housing

*115 comprehensive architecture research topics to pick from* - Apr 12 2023

web nov 4 2021 architecture thesis topics in case you ve ran out of ideas for a topic we have some of the best architecture thesis topics on the internet check out these original ideas talk about the latest trends in environmental tech discuss urban intensification challenges design a brand new shopping mall in your area

60 first class architecture thesis topics for engineers - Jan 29 2022

web list of thesis topics in architecture how to design using parametric architecture the use of architecture robots and 3d printers in design ways in which the internet of spaces is shaping the architectural world rethinking architecture in place of

**2020 student thesis showcase part i study architecture** - Mar 11 2023

web jul 16 2020 in this series we are featuring thesis projects of recent graduates to give you a glimpse into what architecture students create while in school each week for the rest of the summer we will be curating five projects that highlight unique aspects of design

architecture thesis topics leverage edu - Jan 09 2023

web feb 26 2022 damanpreet kaur vohra updated on feb 26 2022 6 minute read being an architecture student you are supposed to submit a dissertation or thesis based on topics related to architecture it takes a lot more time to complete a

10 award winning architecture thesis projects novatr - Jul 03 2022

web it is always interesting to see the architecture thesis projects students come up with every year with each passing batch

there is more knowledge passed down and a better base to begin the result is a rise in innovation and creativity by students and overall a better mix architecture thesis is an ordeal all students are intimidated by

[10 inspiring architecture thesis topics for 2023 exploring](#) - Jun 14 2023

web we propose 10 interesting architecture thesis topics and projects in this post that embrace these trends while embracing technology experimentation and significant architectural examples the urban village project by effekt

*the newest list of 170 architecture thesis topics in 2023* - Aug 16 2023

web pick architecture thesis topics that solve a real problem your thesis topics architecture ideas shouldn't just be theoretical they should also solve a real world problem the world struggles with several issues such as population growth climate change and a lack of proper distribution of resources

*innovative architecture thesis topics list for b arch final year* - Jun 02 2022

web dec 1 2022 best thesis topics architecture let's get clear architectural thesis proposal titles because best architectural thesis topics will futuristic innovative as well act in local context with globe vision here you will find architecture thesis topics 2015 2016 2017 2018 2019 2020 and continue

[architecture thesis topics for 2021 dissertation team](#) - May 01 2022

web get some of the best architecture thesis topics right here for free these thesis topics for architecture students are original and easy to research

**successful thesis proposals in architecture and urban planning** - Feb 10 2023

web may 1 2020 the experts had several focus areas namely architecture history and theories of architecture assessment of designed environments design methods pedagogy architecture and digital technologies heritage conservation middle east architecture and cities construction project management urban design spatial

[architecture dissertation topics thesis topics 100 examples](#) - Mar 31 2022

web jun 29 2023 list of latest dissertation topics for your architectural thesis report development of waterfront timber structure steel structures for large spans doubly covered curvilinear rcc structure construction technology painting on old and new structures external cladding finishes maintenance of the building

*30 architecture thesis topics to pick from in 2022 novatr* - Jul 15 2023

web choosing an architecture thesis topic can be quite challenging make it easy by checking out this list of 30 architecture thesis projects with examples

*learning by doing architecture thesis projects that break the mold* - Nov 07 2022

web sep 2 2020 the bachelor in architectural studies thesis projects at the ie school of architecture and design are exciting displays following students years of study exploration and hard work this

**architecture masters theses collection architecture university** - May 13 2023

web theses from 2023 pdf music as a tool for ecstatic space design pranav amin architecture pdf creating dormitories with a sense of home johnathon a brousseau architecture pdf the tectonic evaluation and design implementation of 3d printing technology in architecture robert buttrick architecture pdf

**how to choose an undergraduate architecture thesis topic** - Dec 08 2022

web sep 11 2017 1 dare to be un original thesis work at the undergraduate level strongly differs from that at the graduate or doctoral level and it is important to understand the rationale behind its inclusion

*excellent dissertation topics in architecture papersowl com* - Sep 05 2022

web mar 15 2022 quick navigation architecture dissertation topics eco friendly risk management landscape architecture urban planning and transport interesting modern design sustainable topics

**thesis topics for architecture 20 topics related to sustainable** - Oct 06 2022

web sep 11 2023 here are 20 thesis topics for architecture related to sustainable architecture 1 urban park thesis topics for architecture to make a city livable and sustainable urban parks play a key role to provide a healthy lifestyle for the residents of the city it provides transformative spaces for the congregation and community development

2021 master of architecture thesis issuu - Aug 04 2022

web apr 30 2021 said 2021 2 university of cincinnati school of architecture and interior design master of architecture thesis catalog said 2021 3 acknowledgements said director

die stimmen der steine roman knaur hc by priscilla cogan - Oct 24 2021

web die stimmen der steine roman knaur hc by priscilla cogan karin gräfe die stimmen der steine roman knaur hc de cogan may 27th 2020 die stimmen der steine roman

**die stimmen der steine roman knaur hc by priscilla cogan** - Mar 09 2023

web jun 14 2023 minervas geheimnis die kanonen von el morro die stimmen der steine roman priscilla cogan on free shipping on qualifying offers finden sie top angebote für

die stimmen der steine roman knaur hc pdf - May 11 2023

web die stimmen der steine roman knaur hc blätter des burgtheaters mar 27 2021 die stimme der steine aug 12 2022 meyers grosses konversations lexikon may 17 2020

amazon de kundenrezensionen die stimmen der steine - Jan 07 2023

web finde hilfreiche kundenrezensionen und rezensionsbewertungen für die stimmen der steine roman knaur hc auf amazon de lese ehrliche und unvoreingenommene

**die stimmen der steine roman knaur hc gebundene** - Sep 15 2023

web die stimmen der steine roman knaur hc cogan priscilla gräfe karin isbn 9783426660089 kostenloser versand für alle bücher mit versand und verkauf duch

[steine gitter stimmen roman amazon de](#) - Jan 27 2022

web steine gitter stimmen roman laor yitzhak lemke markus isbn 9783293003149 kostenloser versand für alle bücher mit versand und verkauf duch amazon zum

*die stimmen der steine roman knaur hc matt ruff* - May 31 2022

web as this die stimmen der steine roman knaur hc it ends in the works visceral one of the favored ebook die stimmen der steine roman knaur hc collections that we have

**s k tremayne die stimme droemer knaur** - Feb 25 2022

web die stimme wenn das smart home zum horror haus wird die stimme ist ein raffiniert gruseliger psychothriller über eine sprach assistentin mit erschreckendem

*die stimmen der steine roman knaur hc 2023* - Nov 24 2021

web der turm der lichter die stimmen der steine roman knaur hc downloaded from graph safhousetech com by guest

muhammad lin das gedächtnis der steine die

*die stimmen der steine roman knaur hc von priscilla cogan* - Apr 10 2023

web sep 30 2022 rezensionen zu die stimmen der steine roman knaur hc von priscilla cogan leserkommentare und weitere informationen zu priscilla cogan im bücherforum

**die stimmen der steine roman knaur hc copy** - Aug 02 2022

web der schwerpunkt der printausgabe liegt auf den romanen kurzkrimis hörspielen und fernsehfilmen der zeitgenössischen krimi autorinnen und autoren mit denen der leser

**die stimmen der steine roman knaur hc htaccess guide** - Mar 29 2022

web mar 30 2023 merely said the die stimmen der steine roman knaur hc is universally compatible later any devices to read revolver road christi daugherty 2020 03 10

[download die stimmen der steine roman knaur hc](#) - Nov 05 2022

web gebrauchte bücher die stimmen der steine roman knaur hc kinderbücher download die stimmen der steine roman knaur hc buch an einem tag lesen die stimmen

**die stimmen der steine roman knaur hc** - Sep 03 2022

web aslı erdoğan's wichtigster roman endlich auf deutsch haus aus stein ist nicht nur der wichtigste text im werk der gefeierten türkischen schriftstellerin aslı erdoğan in diesem

*die stimmen der steine roman knaur hc by priscilla cogan* - Jun 12 2023

web de kundenrezensionen die stimmen der steine roman september 10th 2019 finden sie hilfreiche kundenrezensionen und rezensionsbewertungen für die stimmen der steine

*die stimmen der steine roman knaur hc cogan priscilla und* - Dec 06 2022

web find many great new used options and get the best deals for die stimmen der steine roman knaur hc cogan priscilla und karin gräfe at the best online prices at ebay

*die stimmen der steine roman knaur hc amazon de* - Jul 13 2023

web die stimmen der steine roman knaur hc cogan priscilla gräfe karin amazon de books

stimmen der steine allitera verlag - Jul 01 2022

web stimmen der steine menge in den warenkorb isbn 978 3 96233 228 0 kategorie lyrik seiten 176 ausstattung paperback leseprobe bayern 252 belletristik 336 klaus

*die stimmen der steine roman knaur hc roman cogan* - Feb 08 2023

web entdecke die stimmen der steine roman knaur hc roman cogan priscilla und karin gräfe in großer auswahl vergleichen angebote und preise online kaufen bei ebay

**rezension die stimme thriller von s k tremayne knaur hc** - Oct 04 2022

web mar 14 2021 die stimme ist ein psychothriller der extraklasse der mich bis zum schluss in seinen fängen gehalten hat dieser beitrag wurde unter rezensionen abgelegt und

rezension die stimme von s k tremayne patchis books - Apr 29 2022

web mar 16 2021 die kapitelanfänge sind stets mit kurzen beschreibungen ausgekleidet was eine menge abwechslungsung ins spiel brachte und die stimmung die während des

**die stimmen der steine roman knaur hc copy** - Dec 26 2021

web 2 die stimmen der steine roman knaur hc 2023 02 05 verlag friedrich der große band 2 der einsame könig die große romanbiografie aufbau digital die völker der

**die stimmen der steine roman knaur hc booklooker** - Aug 14 2023

web tiggly d aplièse ist wie ihre schwestern ein adoptivkind und kennt ihre herkunft nicht als ihr vater pa salt stirbt hinterlässt er ihr einen brief in dem er sie auffordert nach granada