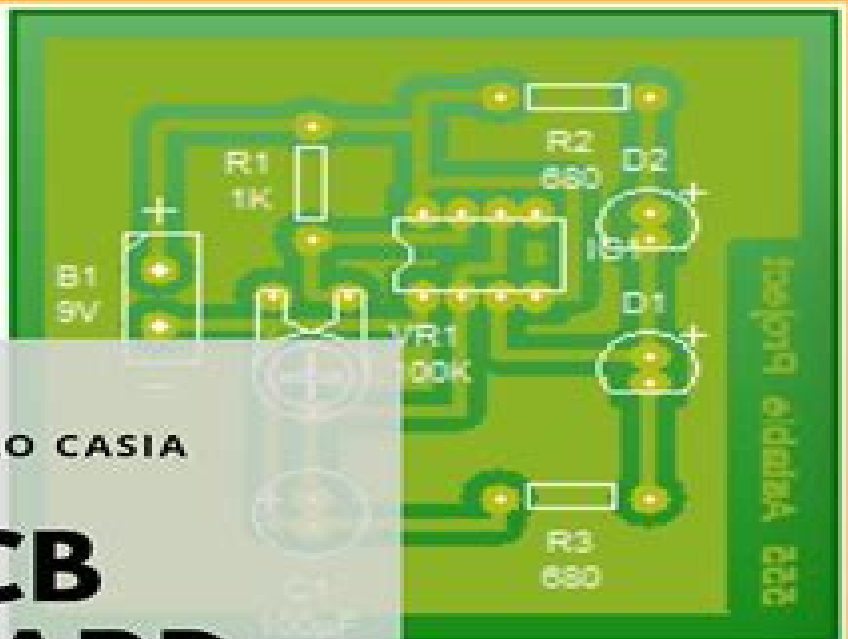
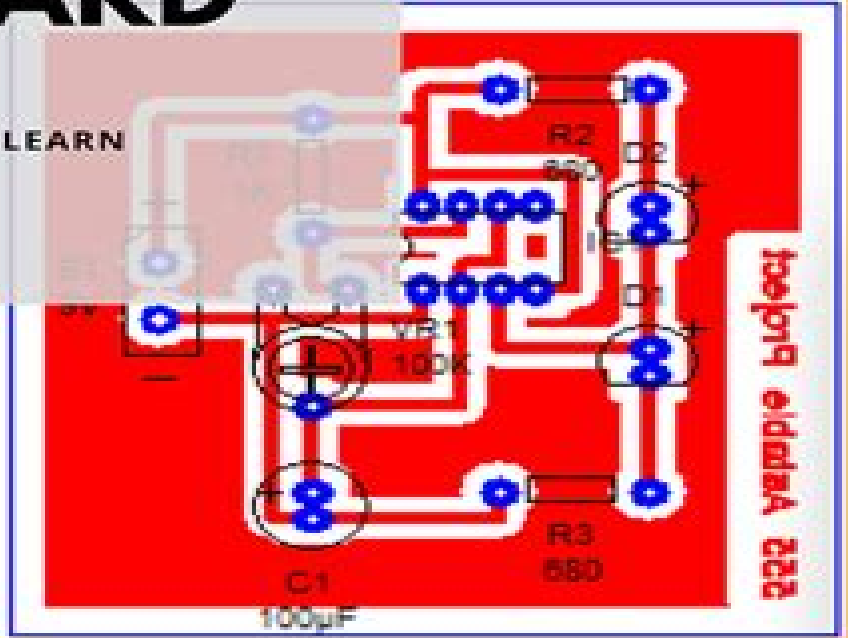
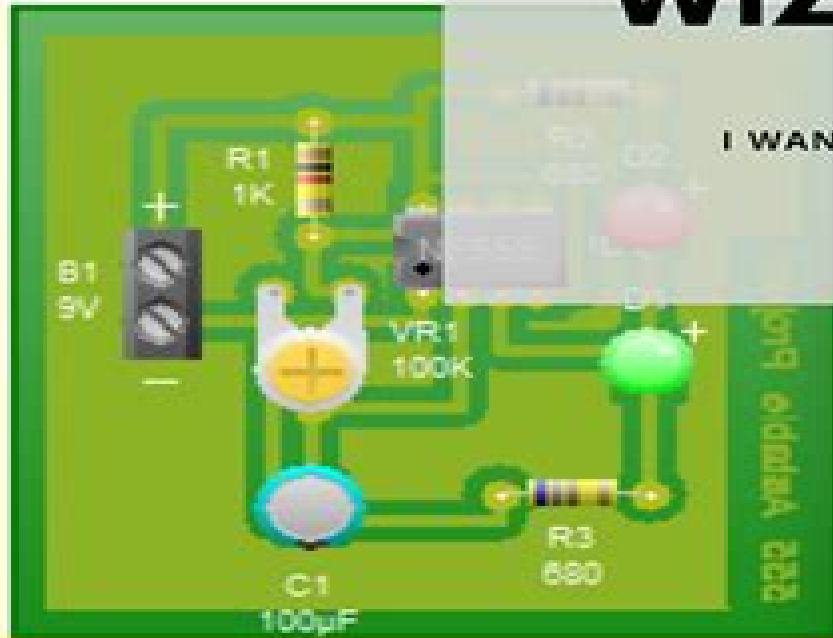


BY DANILLO CASIA

PCB WIZARD



I WANT LEARN



Pcb Wizard Tutorial 1

SJ Ball



Pcb Wizard Tutorial 1:

Complete PCB Design Using OrCad Capture and Layout Kraig Mitzner, 2011-04-01 Complete PCB Design Using OrCad Capture and Layout provides instruction on how to use the OrCAD design suite to design and manufacture printed circuit boards The book is written for both students and practicing engineers who need a quick tutorial on how to use the software and who need in depth knowledge of the capabilities and limitations of the software package There are two goals the book aims to reach The primary goal is to show the reader how to design a PCB using OrCAD Capture and OrCAD Layout Capture is used to build the schematic diagram of the circuit and Layout is used to design the circuit board so that it can be manufactured The secondary goal is to show the reader how to add PSpice simulation capabilities to the design and how to develop custom schematic parts footprints and PSpice models Often times separate designs are produced for documentation simulation and board fabrication This book shows how to perform all three functions from the same schematic design This approach saves time and money and ensures continuity between the design and the manufactured product Information is presented in the exact order a circuit and PCB are designed Straightforward realistic examples present the how and why the designs work providing a comprehensive toolset for understanding the OrCAD software Introduction to the IPC JEDEC and IEEE standards relating to PCB design Full color interior and extensive illustrations allow readers to learn features of the product in the most realistic manner possible Complete PCB Design Using OrCAD Capture and PCB Editor Kraig

Mitzner, 2009-05-28 This book provides instruction on how to use the OrCAD design suite to design and manufacture printed circuit boards The primary goal is to show the reader how to design a PCB using OrCAD Capture and OrCAD Editor Capture is used to build the schematic diagram of the circuit and Editor is used to design the circuit board so that it can be manufactured The book is written for both students and practicing engineers who need in depth instruction on how to use the software and who need background knowledge of the PCB design process Beginning to end coverage of the printed circuit board design process Information is presented in the exact order a circuit and PCB are designed Over 400 full color illustrations including extensive use of screen shots from the software allow readers to learn features of the product in the most realistic manner possible Straightforward realistic examples present the how and why the designs work providing a comprehensive toolset for understanding the OrCAD software Introduces and follows IEEE IPC and JEDEC industry standards for PCB design Unique chapter on Design for Manufacture covers padstack and footprint design and component placement for the design of manufacturable PCB s FREE CD containing the OrCAD demo version and design files

Thermal Analysis with SolidWorks Simulation 2014 Paul Kurowski, 2014 Thermal Analysis with SolidWorks Simulation 2014 goes beyond the standard software manual It concurrently introduces the reader to thermal analysis and its implementation in SolidWorks Simulation using hands on exercises A number of projects are presented to illustrate thermal analysis and related topics Each chapter is designed to build on the skills and understanding gained from previous exercises

Thermal Analysis with SolidWorks Simulation 2014 is designed for users who are already familiar with the basics of Finite Element Analysis FEA using SolidWorks Simulation or who have completed the book Engineering Analysis with SolidWorks Simulation 2014 Thermal Analysis with SolidWorks Simulation 2014 builds on these topics in the area of thermal analysis Some understanding of FEA and SolidWorks Simulation is assumed

Desarrollo y Construcción de Prototipos Electrónicos Ángel Bueno Martín, Ana I. de Soto Gorroño, 2005-09-15 Este manual es una guía que proporciona instrucciones completas y detalladas para el uso de los programas OrCAD Capture Layout plus y LPKF CircuitCAM BoardMaster de diseño y construcción de prototipos electrónicos respectivamente Pretendemos familiarizar al lector con el entorno de trabajo CAD CAM electrónico a través del software propuesto Junto a las indicaciones que ayudan a adquirir la destreza en el manejo de las herramientas informáticas orientadas al diseño electrónico en este libro se dan una serie de consejos y observaciones de interés que facilitan el trabajo y aclaran las dudas que con frecuencia le surgen al principiante haciendo hincapié en la correcta obtención y presentación de resultados informes planos fotolitos etc Respecto a la metodología cabe destacar su carácter de tutorial es decir se propone un ejemplo que servirá de hilo conductor para ir completando las fases que conforman la base de datos del diseño Cada tema está desarrollado gradualmente explicando los comandos e instrucciones allí donde aparecen por vez primera Se acompañan numerosas ventanas pantallas aclaratorias aportaciones prácticas y explicaciones adicionales en aras de facilitar la comprensión de lo expuesto Se trata en definitiva de un método que ayuda en la realización de un trabajo organizado y eficaz que facilita la labor del profesor y el aprendizaje del alumno

MATERIALES ADICIONALES EN APARTADO DE DESCARGAS DEL WEB MARCOMBO.COM

PC Mag, 1993-06-29 PCMag.com is a leading authority on technology delivering Labs based independent reviews of the latest products and services Our expert industry analysis and practical solutions help you make better buying decisions and get more from technology

Byte, 1984 **Microtimes**, 1993-04 *Macworld*, 1989 **Sound & Vibration**, 2000 *PC/Computing*, 1993-07

SolidWorks práctico II - 2.a edición Sergio Gómez González, 2024-06-19 Si es un estudiante o un diseñador novel que desea adentrarse en el diseño y validación de productos mecánicos con SolidWorks con el objetivo de crear máquinas mecanismos productos o modelos para impresión 3D ha llegado al libro indicado SolidWorks práctico II es una compilación de prácticas guiadas y ejercicios de examen diseñados por el autor para sus clases universitarias en la Universidad Politécnica de Cataluña EEBE UPC Estas prácticas abarcan una amplia gama de complementos como Routing Motion Simulation FlowSimulation Photoview SolidCAM DMFXpress entre otros El contenido del libro se caracteriza por su enfoque visual y práctico lo que facilita la lectura con abundantes ilustraciones que detallan las etapas necesarias para utilizar los complementos de SolidWorks en el diseño y validación de productos más eficientes seguros y económicos Además en el libro encontrar el código de acceso que le permitirá descargar de forma gratuita los contenidos adicionales desde www.marcombo.info que incluyen los modelos descritos a lo largo de la obra Esta segunda edición también cuenta con el acceso gratuito al Curso de

SolidWorks Simulation Flow Simulation y otros complementos Dicho curso est valorado en 35 y se compone de 54 videos con una duraci n total de 8 horas para que profundice en el entorno las aplicaciones y las funcionalidades de Solidworks el dise o de chapa met lica el dise o de moldes para inyecci n de pl sticos las simulaciones de inyecci n de pl sticos SolidWorks Plastics el dise o de estructura met lica y soldadura biblioteca de dise o y Toolbox PhotoViewer 360 imagen sint tica FeatureWorks SolidWorks Costing sostenibilidad FDMXpress entre otros Al finalizar el curso podr realizar un proyecto para conseguir la certificaci n de realizaci n del curso H gase con este libro y saque provecho de SolidWorks el software CAD CAM CAE que le permitir adem s de modelar piezas ensamblar conjuntos y crear planos validar sus dise os para realizar productos m s seguros y eficientes **PC Magazine** ,1993-06 Applied Science & Technology Index ,1997 InfoWorld ,1986 **PCB Design & Layout For DIY Etching** A B Lawal,2021-03-14 In this tutorial you will learn step by step how to use Ultiboard to route and make a single layer Printed Circuit Board layout that you can print out on paper Finally you will learn with demo videos a very inexpensive DIY method for transferring your layout to a Copper Clad board that you can etch and solder manually No heat transfer is involved After reading and completing the simple demo projects in this book you will learn many features of Ultiboard very fast and very effectively without getting overwhelmed You will not need to export any files or send gerbers to a PCB manufacturer fabricator We will be using the National Instruments Ultiboard and Multism PCB Design suite which I found to be the best among several others I have used Any of the versions 12 13 and 14 of this suite works perfectly well There is a link in this book for you to download a hassle free trial version of the suite that you can use for many days to learn and practice many projects of your own Merely having the Ultiboard user manual or referring to its help contents is far from sufficient in becoming a skillful PCB designer Therefore this book is extremely useful for building PCB design skills very fast First it will give you a big head start if you have never designed a PCB layout before Then it will teach you more advanced techniques you need to learn design and build anything from simple to complex PCB layouts using mostly Ultiboard Finally if you have questions or need further help I urge you to use the support link I provided in the last Chapter of this book I will get back to you very quickly *Complete PCB Design Using OrCAD Capture and PCB Editor* Kraig Mitzner,Bob Doe,Alexander Akulin,Anton Suponin,Dirk Müller,2019-06-20 *Complete PCB Design Using OrCAD Capture and PCB Editor* Second Edition provides practical instruction on how to use the OrCAD design suite to design and manufacture printed circuit boards Chapters cover how to Design a PCB using OrCAD Capture and OrCAD PCB Editor adding PSpice simulation capabilities to a design how to develop custom schematic parts how to create footprints and PSpice models and how to perform documentation simulation and board fabrication from the same schematic design This book is suitable for both beginners and experienced designers providing basic principles and the program s full capabilities for optimizing designs Companion site<https://www.elsevier.com/books-and-journals/book-companion/9780128176849> Presents a fully updated edition on OrCAD Capture Version 17 2 Combines the theoretical and practical parts of PCB design Includes real life design

examples that show how and why designs work providing a comprehensive toolset for understanding OrCAD software
Provides the exact order in which a circuit and PCB are designed Introduces the IPC JEDEC and IEEE standards relating to
PCB design Printed Circuit Boards R. S. Khandpur,2005-09-07 The printed circuit is the basic building block of the
electronics hardware industry This is a comprehensive single volume self teaching guide to the art of printed circuit board
design and fabrication covering the complete cycle of PCB creation design layout fabrication assembly and testing

Embark on a transformative journey with is captivating work, Discover the Magic in **Pcb Wizard Tutorial 1** . This enlightening ebook, available for download in a convenient PDF format Download in PDF: , invites you to explore a world of boundless knowledge. Unleash your intellectual curiosity and discover the power of words as you dive into this riveting creation. Download now and elevate your reading experience to new heights .

<https://py.bijouxmedusa.com/files/book-search/index.jsp/tips%20usa%205%20933%20remote%20work%20tools%20for%20creators%205%202574%20remote%20work%20tools.pdf>

Table of Contents Pcb Wizard Tutorial 1

1. Understanding the eBook Pcb Wizard Tutorial 1
 - The Rise of Digital Reading Pcb Wizard Tutorial 1
 - Advantages of eBooks Over Traditional Books
2. Identifying Pcb Wizard Tutorial 1
 - Exploring Different Genres
 - Considering Fiction vs. Non-Fiction
 - Determining Your Reading Goals
3. Choosing the Right eBook Platform
 - Popular eBook Platforms
 - Features to Look for in an Pcb Wizard Tutorial 1
 - User-Friendly Interface
4. Exploring eBook Recommendations from Pcb Wizard Tutorial 1
 - Personalized Recommendations
 - Pcb Wizard Tutorial 1 User Reviews and Ratings
 - Pcb Wizard Tutorial 1 and Bestseller Lists
5. Accessing Pcb Wizard Tutorial 1 Free and Paid eBooks
 - Pcb Wizard Tutorial 1 Public Domain eBooks
 - Pcb Wizard Tutorial 1 eBook Subscription Services

- Pcb Wizard Tutorial 1 Budget-Friendly Options
- 6. Navigating Pcb Wizard Tutorial 1 eBook Formats
 - ePub, PDF, MOBI, and More
 - Pcb Wizard Tutorial 1 Compatibility with Devices
 - Pcb Wizard Tutorial 1 Enhanced eBook Features
- 7. Enhancing Your Reading Experience
 - Adjustable Fonts and Text Sizes of Pcb Wizard Tutorial 1
 - Highlighting and Note-Taking Pcb Wizard Tutorial 1
 - Interactive Elements Pcb Wizard Tutorial 1
- 8. Staying Engaged with Pcb Wizard Tutorial 1
 - Joining Online Reading Communities
 - Participating in Virtual Book Clubs
 - Following Authors and Publishers Pcb Wizard Tutorial 1
- 9. Balancing eBooks and Physical Books Pcb Wizard Tutorial 1
 - Benefits of a Digital Library
 - Creating a Diverse Reading Collection Pcb Wizard Tutorial 1
- 10. Overcoming Reading Challenges
 - Dealing with Digital Eye Strain
 - Minimizing Distractions
 - Managing Screen Time
- 11. Cultivating a Reading Routine Pcb Wizard Tutorial 1
 - Setting Reading Goals Pcb Wizard Tutorial 1
 - Carving Out Dedicated Reading Time
- 12. Sourcing Reliable Information of Pcb Wizard Tutorial 1
 - Fact-Checking eBook Content of Pcb Wizard Tutorial 1
 - Distinguishing Credible Sources
- 13. Promoting Lifelong Learning
 - Utilizing eBooks for Skill Development
 - Exploring Educational eBooks
- 14. Embracing eBook Trends

- Integration of Multimedia Elements
- Interactive and Gamified eBooks

Pcb Wizard Tutorial 1 Introduction

Pcb Wizard Tutorial 1 Offers over 60,000 free eBooks, including many classics that are in the public domain. Open Library: Provides access to over 1 million free eBooks, including classic literature and contemporary works. Pcb Wizard Tutorial 1 Offers a vast collection of books, some of which are available for free as PDF downloads, particularly older books in the public domain. Pcb Wizard Tutorial 1 : This website hosts a vast collection of scientific articles, books, and textbooks. While it operates in a legal gray area due to copyright issues, its a popular resource for finding various publications. Internet Archive for Pcb Wizard Tutorial 1 : Has an extensive collection of digital content, including books, articles, videos, and more. It has a massive library of free downloadable books. Free-eBooks Pcb Wizard Tutorial 1 Offers a diverse range of free eBooks across various genres. Pcb Wizard Tutorial 1 Focuses mainly on educational books, textbooks, and business books. It offers free PDF downloads for educational purposes. Pcb Wizard Tutorial 1 Provides a large selection of free eBooks in different genres, which are available for download in various formats, including PDF. Finding specific Pcb Wizard Tutorial 1, especially related to Pcb Wizard Tutorial 1, might be challenging as theyre often artistic creations rather than practical blueprints. However, you can explore the following steps to search for or create your own Online Searches: Look for websites, forums, or blogs dedicated to Pcb Wizard Tutorial 1, Sometimes enthusiasts share their designs or concepts in PDF format. Books and Magazines Some Pcb Wizard Tutorial 1 books or magazines might include. Look for these in online stores or libraries. Remember that while Pcb Wizard Tutorial 1, sharing copyrighted material without permission is not legal. Always ensure youre either creating your own or obtaining them from legitimate sources that allow sharing and downloading. Library Check if your local library offers eBook lending services. Many libraries have digital catalogs where you can borrow Pcb Wizard Tutorial 1 eBooks for free, including popular titles. Online Retailers: Websites like Amazon, Google Books, or Apple Books often sell eBooks. Sometimes, authors or publishers offer promotions or free periods for certain books. Authors Website Occasionally, authors provide excerpts or short stories for free on their websites. While this might not be the Pcb Wizard Tutorial 1 full book , it can give you a taste of the authors writing style. Subscription Services Platforms like Kindle Unlimited or Scribd offer subscription-based access to a wide range of Pcb Wizard Tutorial 1 eBooks, including some popular titles.

FAQs About Pcb Wizard Tutorial 1 Books

How do I know which eBook platform is the best for me? Finding the best eBook platform depends on your reading

preferences and device compatibility. Research different platforms, read user reviews, and explore their features before making a choice. Are free eBooks of good quality? Yes, many reputable platforms offer high-quality free eBooks, including classics and public domain works. However, make sure to verify the source to ensure the eBook credibility. Can I read eBooks without an eReader? Absolutely! Most eBook platforms offer webbased readers or mobile apps that allow you to read eBooks on your computer, tablet, or smartphone. How do I avoid digital eye strain while reading eBooks? To prevent digital eye strain, take regular breaks, adjust the font size and background color, and ensure proper lighting while reading eBooks. What the advantage of interactive eBooks? Interactive eBooks incorporate multimedia elements, quizzes, and activities, enhancing the reader engagement and providing a more immersive learning experience. Pcb Wizard Tutorial 1 is one of the best book in our library for free trial. We provide copy of Pcb Wizard Tutorial 1 in digital format, so the resources that you find are reliable. There are also many Ebooks of related with Pcb Wizard Tutorial 1. Where to download Pcb Wizard Tutorial 1 online for free? Are you looking for Pcb Wizard Tutorial 1 PDF? This is definitely going to save you time and cash in something you should think about. If you trying to find then search around for online. Without a doubt there are numerous these available and many of them have the freedom. However without doubt you receive whatever you purchase. An alternate way to get ideas is always to check another Pcb Wizard Tutorial 1. This method for see exactly what may be included and adopt these ideas to your book. This site will almost certainly help you save time and effort, money and stress. If you are looking for free books then you really should consider finding to assist you try this. Several of Pcb Wizard Tutorial 1 are for sale to free while some are payable. If you arent sure if the books you would like to download works with for usage along with your computer, it is possible to download free trials. The free guides make it easy for someone to free access online library for download books to your device. You can get free download on free trial for lots of books categories. Our library is the biggest of these that have literally hundreds of thousands of different products categories represented. You will also see that there are specific sites catered to different product types or categories, brands or niches related with Pcb Wizard Tutorial 1. So depending on what exactly you are searching, you will be able to choose e books to suit your own need. Need to access completely for Campbell Biology Seventh Edition book? Access Ebook without any digging. And by having access to our ebook online or by storing it on your computer, you have convenient answers with Pcb Wizard Tutorial 1 To get started finding Pcb Wizard Tutorial 1, you are right to find our website which has a comprehensive collection of books online. Our library is the biggest of these that have literally hundreds of thousands of different products represented. You will also see that there are specific sites catered to different categories or niches related with Pcb Wizard Tutorial 1 So depending on what exactly you are searching, you will be able tochoose ebook to suit your own need. Thank you for reading Pcb Wizard Tutorial 1. Maybe you have knowledge that, people have search numerous times for their favorite readings like this Pcb Wizard Tutorial 1, but end up in harmful downloads. Rather than reading a good book with a cup of coffee in the afternoon,

instead they juggled with some harmful bugs inside their laptop. Pcb Wizard Tutorial 1 is available in our book collection and online access to it is set as public so you can download it instantly. Our digital library spans in multiple locations, allowing you to get the most less latency time to download any of our books like this one. Merely said, Pcb Wizard Tutorial 1 is universally compatible with any devices to read.

Find Pcb Wizard Tutorial 1 :

tips USA 5-933 remote work tools for creators 5-2574 remote work tools
income ideas examples America 5-631 passive income ideas examples United
5-1242 digital marketing case study for creators 5-215 digital marketing
5-1170 online privacy strategies United States 5-2436 online privacy
United States 5-1798 business automation roadmap United States 5-2231
roadmap USA 5-2163 weight loss roadmap for small business 5-1012 weight
personal finance tutorial for small business 5-2463 print on demand apps
healthy recipes comparison for entrepreneurs 5-784 healthy recipes
strategies for creators 5-827 interview tips strategies for
explained for startups 5-2119 healthy recipes explained for startups
hustles review for startups 5-2772 side hustles roadmap America 5-1962
trading review America 5-1390 crypto trading review USA 5-26 crypto
entrepreneurs 5-417 stock market strategies for creators 5-639 stock
comparison USA 5-1807 mental wellness comparison United States 5-1837
coding for beginners software America 5-1573 coding for beginners

Pcb Wizard Tutorial 1 :

level 2 diploma optional units dsdweb - Nov 27 2021

nvq2 sensory loss 555 words studymode - Nov 08 2022

web our guide will boost your confidence helping you breeze through the nvq level 4 assessment guaranteed success we stand by our guide s quality with a 100

nvq guru - Oct 07 2022

web although sensory loss can include anosmia loss of smell agusia loss of taste somatosensory loss loss of tactile sense and even an impairment of spatial

introductory awareness of sensory loss stuvia - May 14 2023

web jun 15 2020 qcf level 2 introductory awareness of sensory loss answers nvq level 2 introductory awareness of sensory loss answers 100 satisfaction

support effective communication with individuals with a sensory - Aug 17 2023

web sensory loss could include sight loss hearing loss deafblindness specific methods of communication sight loss clear speech touch verbal responses avoiding head

ncq if - Jun 03 2022

web nvq2 sensory loss answers 2013 04 15 3 38 nvq2 sensory loss answers chart supplement pacific 2010 essential clinical neuroanatomy is an accessible introduction to

level 3 sensory loss reports w p compliance and training - Feb 11 2023

web learning outcome 1 understand the impact of multiple conditions and or disabilities on individuals multiple conditions and or disabilities could include a combination of

fillable online nvq2 sensory loss answers nvq2 sensory loss - Jul 04 2022

web ncq if negative cognition questionnaire initial form larry f sine phd silke vogelmann sine phd name date please circle the number below to indicate how true

unit 20 understanding sensory loss pearson qualifications - Sep 18 2023

web sensory loss sight loss hearing loss deaf blindness loss of olfactory sense smell loss of taste loss of tactile sense demographic factors which make sensory loss

unit 4222 393 understanding sensory loss ss mu 3 1 - Apr 13 2023

web there are a number of factors that can impact individuals with sensory loss people with sensory loss can miss out on important information that people with out sensory loss

nvq sensory loss answers wrbb neu - Feb 28 2022

web impairment on activities of daily living describe the best way to approach patients with sensory impairments contents of this lesson a clearly written fact sheet a 10 question

level 3 diploma optional units dsdweb - Aug 05 2022

web nvq2 sensory loss answers description register free to download files file name nvq2 sensory loss answers pdfnvq2 sensory loss answers download

nvq sensory loss answers pdf pdf qa thechesedfund - Jan 30 2022

web apr 28 2022 see answer 1 best answer copy you can overcome disabling attitudes and beliefs in sensory loss by challenging discrimination immediately you can also get

pearson edexcel level 5 diploma in leadership for health and - Dec 09 2022

web 555 words 3 pages open document analyze this draft nvq2 sensory loss view writing issues file edit tools settings filter results 4222 207 1 2 explain why it

nvq 3 work 578 words studymode - Mar 12 2023

web apr 26 2013 unit 393 sensory loss a write 3 short reports about sight loss hearing loss deafblindness in each report analyse how communications information familiar

unit 24 understanding sensory loss pearson qualifications - Oct 19 2023

web sensory loss sight loss hearing loss deaf blindness loss of olfactory sense smell loss of taste loss of tactile sense demographic factors which make sensory loss

nvq sensory loss answers secure4 khronos - Apr 01 2022

web nvq sensory loss answers 1 nvq sensory loss answers yeah reviewing a ebook nvq sensory loss answers could add your near connections listings this is just one of the

unit 40 supporting individuals with multiple conditions and or - Jan 10 2023

web unit 35 understand sensory loss 214 unit 36 principles of supporting individuals with a learning disability regarding sexuality and sexual health 217 unit 37 manage

support effective communication with individuals with a sensory - Jul 16 2023

web jun 15 2020 qcf level 2 support effective communication with individuals with a sensory loss answers nvq level 2 support effective communication with

how do you overcome disabling attitudes and beliefs in sensory - Dec 29 2021

web home level 2 diploma in care answers level 2 diploma optional units the mandatory units for the level 2 diploma in care offer 24 credits towards the qualification

unit 536 answers example understand sensory loss - Jun 15 2023

web unit 536 understand sensory loss this a single unit taken from our qcf level 5 diploma in health social care leadership and management course this course is

nvq2 sensory loss answers pdf test ajj - May 02 2022

web jun 10 2023 nvq sensory loss answers nvq sensory loss answers along with instructions you could take pleasure in the present is nvq sensory loss answers below

understand sensory loss sample essay dsdweb - Sep 06 2022

web promote effective communication with individuals with sensory loss 4 3 support individuals with multiple conditions and or disabilities 4 3 support the assessment of

business statistics pearson - Oct 08 2023

web jul 14 2020 business statistics home statistics advanced statistics introduction to business statistics business statistics i m a student i m an educator business statistics 3rd edition published by pearson jul 14 2020 2020 robert a donnelly best value etextbook mo print from 175 99 mylab from 109 99 pearson

business statistics donnelly robert a 9780132145398 - Apr 02 2023

web business statistics 128 02

business statistics donnelly robert a jr author free - Jun 23 2022

web commercial statistics industrial management statistical methods publisher new york ny pearson education collection printdisabled internetarchivebooks contributor internet archive language english

business statistics by robert a donnelly jr goodreads - Jan 31 2023

web jan 4 2012 the text that speaks to students robert a donnelly s new textbook business statistics removes the intimidation factor from learning business statistics by presenting a writing style that readers feel comfortable with through this straightforward conversational approach donnelly effectively explains the key concepts readers need to

editions of business statistics by robert a donnelly jr goodreads - Oct 28 2022

web jan 14 2014 editions of business statistics by robert a donnelly jr business statistics editions expand details by robert a donnelly jr first published january 4th 2012 sort by format editions showing 1 29 of 29 business statistics hardcover published january 14th 2012 by pearson 1 hardcover 984 pages more details want to

business statistics mystatlab donnelly jr robert a - Aug 06 2023

web arama yapmak istediğiniz kategoriye seçin

amazon com business statistics mystatlab 9780321925121 donnelly - Jul 05 2023

web jan 9 2014 robert donnelly s business statistics eliminates the intimidation factor from learning statistics for business the second edition maintains donnelly s successful straightforward conversational approach that explains each concept and why it is important directly to students

donnelly business statistics pearson - Mar 01 2023

web the text that speaks to students robert a donnelly s new textbook business statistics removes the intimidation factor from learning business statistics by presenting a writing style that students feel comfortable with through this straightforward conversational approach donnelly effectively explains the key concepts students need to know

business statistics donnelly robert amazon sg books - Feb 17 2022

web robert donnelly s business statistics was written in a conversational tone designed to reduce the level of anxiety that many business students experience when taking a statistics course the 3rd edition maintains the author s successful and straightforward approach that explains each concept and why it s important directly to students

isbn 9780134685267 business statistics 3rd edition direct - Sep 26 2022

web business statistics 3rd author s robert donnelly jr robert donnelly published 2019 publisher pearson format hardcover 976 pages more formats digital w access code ringbound isbn 978 0 13 468526 7 edition 3rd third 3e reviews find in library searching bookstores for the lowest price all new used rental ebook

business statistics 3rd edition etextbook subscription pearson - Aug 26 2022

web jul 15 2020 an introduction to business statistics displaying descriptive statistics calculating descriptive statistics introduction to probabilities discrete probability distributions continuous probability distributions sampling and sampling distributions confidence intervals hypothesis testing for a single population hypothesis tests

business statistics 3 donnelly robert a jr amazon com - May 23 2022

web mar 7 2019 robert bob a donnelly jr was a professor at goldey beacom college in wilmington delaware with more than 25 years of teaching experience he taught classes in statistics operations management spreadsheet modeling and project management at both the undergraduate and graduate level bob earned an undergraduate degree in chemical

business statistics pearson - May 03 2023

web jul 15 2020 business statistics 3rd edition published by pearson july 15 2020 2020 robert a donnelly

business statistics donnelly jr robert 9780134688084 - Jul 25 2022

web jan 1 2019 robert donnelly s business statistics was written in a conversational tone designed to reduce the level of anxiety that many business students experience when taking a statistics course the 3rd edition maintains the author s successful and straightforward approach that explains each concept and why it s important directly to

business statistics donnelly jr robert 9780321930675 - Nov 28 2022

web jan 10 2014 robert donnelly s business statistics eliminates the intimidation factor from learning statistics for business the second edition maintains donnelly s successful straightforward conversational approach that explains each concept and why it is important directly to students

business statistics donnelly jr robert 9780134685267 books - Apr 21 2022

web apr 18 2019 robert donnelly s business statistics was written in a conversational tone designed to reduce the level of anxiety that many business students experience when taking a statistics course the 3rd edition maintains the author s successful and straightforward approach that explains each concept and why it s important directly to

amazon com business statistics 9780134685267 donnelly jr robert - Sep 07 2023

web apr 18 2019 robert donnelly s business statistics was written in a conversational tone designed to reduce the level of anxiety that many business students experience when taking a statistics course the 3rd edition maintains the author s successful and straightforward approach that explains each concept and why it s important directly to

[download business statistics 3rd edition by robert donnelly jr](#) - Mar 21 2022

web chapter 1 an introduction to business statistics chapter 2 displaying descriptive statistics chapter 3 calculating descriptive statistics chapter 4 introduction to probabilities chapter 5 discrete probability distributions chapter 6 continuous probability distributions chapter 7 sampling and sampling distributions chapter 8 confidence

business statistics robert a donnelly google books - Jun 04 2023

web robert donnelly s business statistics eliminates the intimidation factor from learning statistics for business the second edition maintains donnelly s successful straightforward

[business statistics pearson](#) - Dec 30 2022

web apr 18 2019 business statistics home statistics advanced statistics introduction to business statistics business statistics i m a student i m an educator request full copy business statistics 3rd edition published by pearson april 17 2019 2020 robert a donnelly etextbook mo print from 175 99 mylab from 109 99 need help get in touch

[loading interface goodreads](#) - Dec 26 2021

web enjoying □□□□□ □□□□□ □□□□□ □□□□□□□□ enjoying □□□□□□□ britannica english □□□□ □□□□□□ □□□ □□ □□□□□□□□ □□□□ □□□□□□ □□□□□□

enjoying cambridge İngilizce sözlüğü ndeki anlamı - Nov 05 2022

web enjoying english 8 priručnik za nastavnike engleski jezik za 8 razred osnovne škole autori zavod za udžbenike kovačević katarina

enjoying english 8 udžbenik i cd za engleski jezik za 8 razred - Aug 02 2022

web enjoying english 8 testovi za 8 razred free download as word doc doc pdf file pdf text file txt or read online for free 8 godina ucenja

[enjoying english 8 udžbenik engleskog za 8 razred](#) - Jul 13 2023

web enjoying english 8 engleski jezik za osmi razred osnovne škole 5 preštampano izdanje 2021 god autori katarina kovačević jonathan pendlebury udžbenik za 8

enjoying english a1 2 coursebook workbook gazi kitabevi - Jul 01 2022

web uživajte u učenju engleskog jezika uz udžbenik enjoying english 8 sveobuhvatan i dinamičan ovaj udžbenik omogućava učenicima osmog razreda da napreduju u jezičkim

[enjoying english 8 учебник английского языка за 8 разред](#) - Feb 08 2023

web enjoying english 8 Енглески језик за 8 разред основне школе осма година учења Аутори Катарина Ковачевић и jonathan pendlebury креативни ауторски тим са

[enjoying english 8 help environment harvard edu](#) - Jan 27 2022

web enjoy verb relax and enjoy the view he always enjoys a good laugh no one enjoys being teased she enjoyed great success in her new business the show enjoyed a brief surge

orient blackswan teachers portal new enjoying - Mar 09 2023

web enjoying english 8 on amazon com free shipping on qualifying offers enjoying english 8

enjoying english 8 cd zavod za udžbenike hijeroglif rs - Apr 29 2022

web enjoying english 8 ИСХОДИ На крају обрађене теме ученик ће бити у стању да разуме општи смисао и главне информације из уобичајених текстова који се односе

enjoyable the enjoying english series jstor - May 11 2023

web third editions of enjoying english 7 and enjoying english 8 more than sixty teachers of english in seventh and eighth grades cooperated in the improvement of

[enjoying english 8 abebooks](#) - Aug 14 2023

web enjoying english 8 and a great selection of related books art and collectibles available now at abebooks com

enjoying britannica english - Oct 24 2021