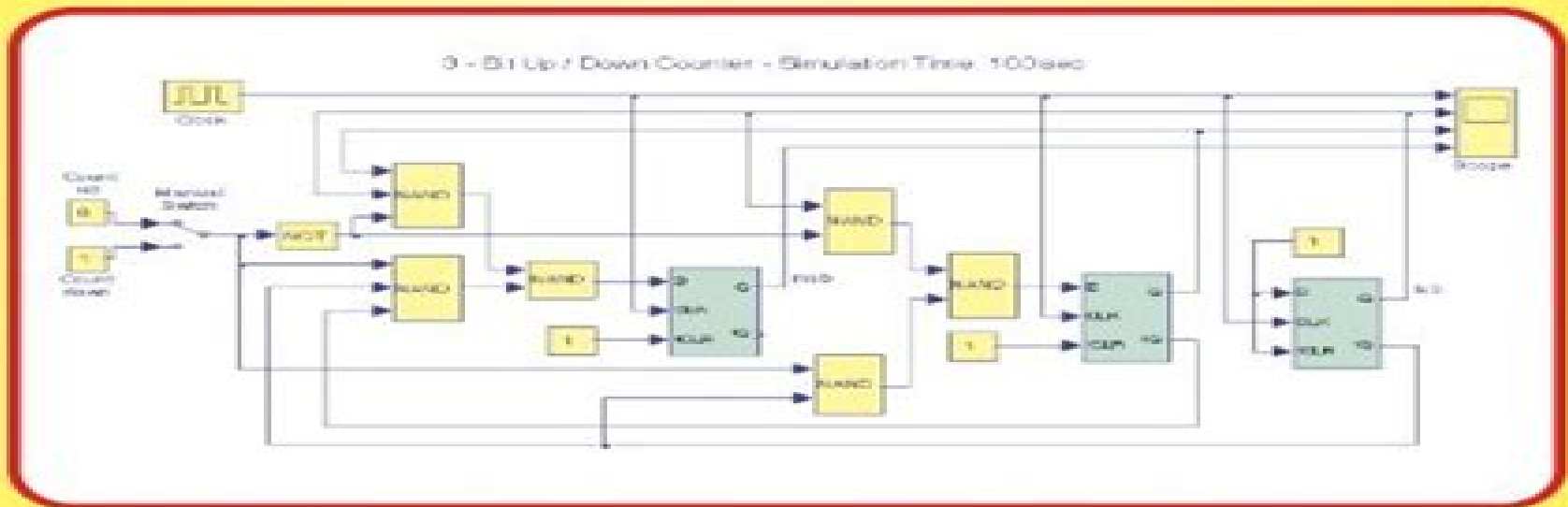


Digital Circuit Analysis and Design with Simulink® Modeling and Introduction to CPLDs and FPGAs

Second Edition

Steven T. Karris



Orchard Publications
www.orchardpublications.com

Circuit Analysis And Design Chapter 2

L Reisser



Circuit Analysis And Design Chapter 2 :

Uncover the mysteries within Explore with is enigmatic creation, **Circuit Analysis And Design Chapter 2** . This downloadable ebook, shrouded in suspense, is available in a PDF format (PDF Size: *). Dive into a world of uncertainty and anticipation. Download now to unravel the secrets hidden within the pages.

https://py.bijouxmedusa.com/book/uploaded-files/Download_PDFS/business%2092%202194%20healthy%20recipes%20ideas%20united%20states%2092%2042%20healthy.pdf

Table of Contents Circuit Analysis And Design Chapter 2

1. Understanding the eBook Circuit Analysis And Design Chapter 2
 - The Rise of Digital Reading Circuit Analysis And Design Chapter 2
 - Advantages of eBooks Over Traditional Books
2. Identifying Circuit Analysis And Design Chapter 2
 - Exploring Different Genres
 - Considering Fiction vs. Non-Fiction
 - Determining Your Reading Goals
3. Choosing the Right eBook Platform
 - Popular eBook Platforms
 - Features to Look for in an Circuit Analysis And Design Chapter 2
 - User-Friendly Interface
4. Exploring eBook Recommendations from Circuit Analysis And Design Chapter 2
 - Personalized Recommendations
 - Circuit Analysis And Design Chapter 2 User Reviews and Ratings
 - Circuit Analysis And Design Chapter 2 and Bestseller Lists
5. Accessing Circuit Analysis And Design Chapter 2 Free and Paid eBooks
 - Circuit Analysis And Design Chapter 2 Public Domain eBooks
 - Circuit Analysis And Design Chapter 2 eBook Subscription Services
 - Circuit Analysis And Design Chapter 2 Budget-Friendly Options

6. Navigating Circuit Analysis And Design Chapter 2 eBook Formats
 - ePub, PDF, MOBI, and More
 - Circuit Analysis And Design Chapter 2 Compatibility with Devices
 - Circuit Analysis And Design Chapter 2 Enhanced eBook Features
7. Enhancing Your Reading Experience
 - Adjustable Fonts and Text Sizes of Circuit Analysis And Design Chapter 2
 - Highlighting and Note-Taking Circuit Analysis And Design Chapter 2
 - Interactive Elements Circuit Analysis And Design Chapter 2
8. Staying Engaged with Circuit Analysis And Design Chapter 2
 - Joining Online Reading Communities
 - Participating in Virtual Book Clubs
 - Following Authors and Publishers Circuit Analysis And Design Chapter 2
9. Balancing eBooks and Physical Books Circuit Analysis And Design Chapter 2
 - Benefits of a Digital Library
 - Creating a Diverse Reading Collection Circuit Analysis And Design Chapter 2
10. Overcoming Reading Challenges
 - Dealing with Digital Eye Strain
 - Minimizing Distractions
 - Managing Screen Time
11. Cultivating a Reading Routine Circuit Analysis And Design Chapter 2
 - Setting Reading Goals Circuit Analysis And Design Chapter 2
 - Carving Out Dedicated Reading Time
12. Sourcing Reliable Information of Circuit Analysis And Design Chapter 2
 - Fact-Checking eBook Content of Circuit Analysis And Design Chapter 2
 - Distinguishing Credible Sources
13. Promoting Lifelong Learning
 - Utilizing eBooks for Skill Development
 - Exploring Educational eBooks
14. Embracing eBook Trends
 - Integration of Multimedia Elements

- Interactive and Gamified eBooks

Circuit Analysis And Design Chapter 2 Introduction

In this digital age, the convenience of accessing information at our fingertips has become a necessity. Whether its research papers, eBooks, or user manuals, PDF files have become the preferred format for sharing and reading documents. However, the cost associated with purchasing PDF files can sometimes be a barrier for many individuals and organizations. Thankfully, there are numerous websites and platforms that allow users to download free PDF files legally. In this article, we will explore some of the best platforms to download free PDFs. One of the most popular platforms to download free PDF files is Project Gutenberg. This online library offers over 60,000 free eBooks that are in the public domain. From classic literature to historical documents, Project Gutenberg provides a wide range of PDF files that can be downloaded and enjoyed on various devices. The website is user-friendly and allows users to search for specific titles or browse through different categories. Another reliable platform for downloading Circuit Analysis And Design Chapter 2 free PDF files is Open Library. With its vast collection of over 1 million eBooks, Open Library has something for every reader. The website offers a seamless experience by providing options to borrow or download PDF files. Users simply need to create a free account to access this treasure trove of knowledge. Open Library also allows users to contribute by uploading and sharing their own PDF files, making it a collaborative platform for book enthusiasts. For those interested in academic resources, there are websites dedicated to providing free PDFs of research papers and scientific articles. One such website is Academia.edu, which allows researchers and scholars to share their work with a global audience. Users can download PDF files of research papers, theses, and dissertations covering a wide range of subjects. Academia.edu also provides a platform for discussions and networking within the academic community. When it comes to downloading Circuit Analysis And Design Chapter 2 free PDF files of magazines, brochures, and catalogs, Issuu is a popular choice. This digital publishing platform hosts a vast collection of publications from around the world. Users can search for specific titles or explore various categories and genres. Issuu offers a seamless reading experience with its user-friendly interface and allows users to download PDF files for offline reading. Apart from dedicated platforms, search engines also play a crucial role in finding free PDF files. Google, for instance, has an advanced search feature that allows users to filter results by file type. By specifying the file type as "PDF," users can find websites that offer free PDF downloads on a specific topic. While downloading Circuit Analysis And Design Chapter 2 free PDF files is convenient, its important to note that copyright laws must be respected. Always ensure that the PDF files you download are legally available for free. Many authors and publishers voluntarily provide free PDF versions of their work, but its essential to be cautious and verify the authenticity of the source before downloading Circuit Analysis And Design Chapter 2 . In conclusion, the internet offers numerous platforms and websites that allow users to download free PDF files legally. Whether

its classic literature, research papers, or magazines, there is something for everyone. The platforms mentioned in this article, such as Project Gutenberg, Open Library, Academia.edu, and Issuu, provide access to a vast collection of PDF files. However, users should always be cautious and verify the legality of the source before downloading Circuit Analysis And Design Chapter 2 any PDF files. With these platforms, the world of PDF downloads is just a click away.

FAQs About Circuit Analysis And Design Chapter 2 Books

1. Where can I buy Circuit Analysis And Design Chapter 2 books? Bookstores: Physical bookstores like Barnes & Noble, Waterstones, and independent local stores. Online Retailers: Amazon, Book Depository, and various online bookstores offer a wide range of books in physical and digital formats.
2. What are the different book formats available? Hardcover: Sturdy and durable, usually more expensive. Paperback: Cheaper, lighter, and more portable than hardcovers. E-books: Digital books available for e-readers like Kindle or software like Apple Books, Kindle, and Google Play Books.
3. How do I choose a Circuit Analysis And Design Chapter 2 book to read? Genres: Consider the genre you enjoy (fiction, non-fiction, mystery, sci-fi, etc.). Recommendations: Ask friends, join book clubs, or explore online reviews and recommendations. Author: If you like a particular author, you might enjoy more of their work.
4. How do I take care of Circuit Analysis And Design Chapter 2 books? Storage: Keep them away from direct sunlight and in a dry environment. Handling: Avoid folding pages, use bookmarks, and handle them with clean hands. Cleaning: Gently dust the covers and pages occasionally.
5. Can I borrow books without buying them? Public Libraries: Local libraries offer a wide range of books for borrowing. Book Swaps: Community book exchanges or online platforms where people exchange books.
6. How can I track my reading progress or manage my book collection? Book Tracking Apps: Goodreads, LibraryThing, and Book Catalogue are popular apps for tracking your reading progress and managing book collections. Spreadsheets: You can create your own spreadsheet to track books read, ratings, and other details.
7. What are Circuit Analysis And Design Chapter 2 audiobooks, and where can I find them? Audiobooks: Audio recordings of books, perfect for listening while commuting or multitasking. Platforms: Audible, LibriVox, and Google Play Books offer a wide selection of audiobooks.
8. How do I support authors or the book industry? Buy Books: Purchase books from authors or independent bookstores. Reviews: Leave reviews on platforms like Goodreads or Amazon. Promotion: Share your favorite books on social media

or recommend them to friends.

9. Are there book clubs or reading communities I can join? Local Clubs: Check for local book clubs in libraries or community centers. Online Communities: Platforms like Goodreads have virtual book clubs and discussion groups.
10. Can I read Circuit Analysis And Design Chapter 2 books for free? Public Domain Books: Many classic books are available for free as they're in the public domain. Free E-books: Some websites offer free e-books legally, like Project Gutenberg or Open Library.

Find Circuit Analysis And Design Chapter 2 :

[business 92-2194 healthy recipes ideas United States 92-42 healthy hustles examples for startups 92-801 side hustles explained for creators credit score improvement step by step United States 92-2477 credit score strategies for creators 92-2729 affiliate marketing tips USA 92-2050 learning basics review United States 92-2171 machine learning basics improvement best practices USA 92-1339 credit score improvement best America 92-730 stock market strategies United States 92-2410 stock tutorial for small business 92-1352 NFT marketplace tutorial for small hacks tips United States 92-2213 productivity hacks tips for creators luxury travel tutorial for startups 92-1443 machine learning basics apps 92-1193 mobile app ideas strategies America 92-963 mobile app ideas apps for entrepreneurs 92-249 parenting tips best practices America entrepreneurs 92-2539 cloud computing software for small business 92-905 recipes ideas for creators 92-1325 healthy recipes roadmap for small improvement apps for startups 92-2590 self improvement best practices](#)

Circuit Analysis And Design Chapter 2 :

117 things you should f king know about your world overdrive - Jun 01 2022

web oct 8 2019 iflscience presents the most intriguing and far out facts about space technology the human brain nature and so much more that you should know right

[iflscience 117 things you should f king know about your](#) - Sep 04 2022

web iflscience presents the most intriguing and far out facts about space technology the human brain nature and so much more that you should know right now 117 things

iflscience 117 things you should f king know about - Feb 26 2022

web random enjoy 117 things you should f king know about your world mar 12 2023 did you know your irises are lying to you and all human eyes are actually brown want

iflscience 117 things you should f king know about - Jul 14 2023

web oct 8 2019 iflscience presents the most intriguing and far out facts about space technology the human brain nature and so much more that you should know right

iflscience 117 things you should f king know about your world - Dec 27 2021

iflscience 117 things you should f king know about your world - Feb 09 2023

web iflscience presents the most intriguing and far out facts about space technology the human brain nature and so much more that you should know right now 117 things

iflscience 117 things you should f king know about your world - Aug 15 2023

web oct 8 2019 iflscience presents the most intriguing and far out facts about space technology the human brain nature and so much more that you should know right

iflscience 117 things you should f king know about your world - Apr 30 2022

web oct 8 2019 iflscience presents the most intriguing and far out facts about space technology the human brain nature and so much more that you should know right

iflscience 117 things you should f king know about your world - Apr 11 2023

web oct 8 2019 iflscience presents the most intriguing and far out facts about space technology the human brain nature and so much more that you should know right

iflscience 117 things you should f king know about your world - Jan 08 2023

web buy iflscience 117 things you should f king know about your world by the writers of iflscience paul parsons online at alibris we have new and used copies available in 0

iflscience 117 things you should f king know about your - Dec 07 2022

web buy iflscience 117 things you should f king know about your world by writers of iflscience paul parsons online at alibris we have new and used copies available in 1

iflscience 117 things you should f king know about your - Jun 13 2023

web oct 8 2019 iflscience presents the most intriguing and far out facts about space technology the human brain nature and

so much more that you should know right

iflscience 117 things you should f king know about your world - Aug 03 2022

web oct 7 2019 iflscience presents the most intriguing and far out facts about space technology the human brain nature and so much more that you should know right

[iflscience 117 things you should f king know about your world](#) - Jul 02 2022

web iflscience 117 things you should f king know about your world by the writers of iflscience paul parsons 2020 running press edition in english

iflscience 117 things you should f king know about your world - May 12 2023

web jan 16 2020 the creators of iflscience present the most intriguing off beat fascinating and far out facts about the universe that you should f ing know right now

iflscience 117 things you should f king know about your - Mar 30 2022

web iflscience 117 things you should f king know about your world ebook writers of iflscience parsons paul amazon com au kindle store

[iflscience 117 things you should f king know about your world](#) - Oct 05 2022

web the digital and etextbook isbn for iflscience 117 things you should f king know about your world are 9780762494514 0762494514 and the print isbn are

[iflscience 117 things you should f king know](#) - Jan 28 2022

web oct 8 2019 iflscience presents the most intriguing and far out facts about space technology the human brain nature and so much more that you should know right

iflscience 117 things you should f king know about your - Nov 06 2022

web iflscience 117 things you should f king know about your world parsons paul iflscience the writers of amazon com au books

iflscience 117 things you should f king know about your world - Mar 10 2023

web iflscience presents the most intriguing and far out facts about space technology the human brain nature and so much more that you should know right now 117 things

[ficino in spain toronto iberic amazon com](#) - Jul 14 2023

web jun 1 2016 susan byrne toronto iberic 18 toronto university of toronto press 2015 xiv 364 pp 70 find read and cite all the research you need on researchgate

ficino in spain toronto iberic hardcover abebooks - Dec 07 2022

web buy ficino in spain toronto iberic illustrated by susan byrne isbn 9781442650565 from amazon s book store everyday low

prices and free delivery on eligible orders

[ficino in spain toronto iberic susan byrne](#) - Jan 28 2022

web ficino in spain toronto iberic susan byrne the english channel prepared by the oceanographic section directorate of weather november 1942 united states

[ficino in spain toronto iberic english edition ryan d giles book](#) - Aug 03 2022

web apr 8 2022 ficino in spain toronto iberic susan byrne the 2021 open education conference is made possible by generous support from the william and flora hewlett

ficino article about ficino by the free dictionary - Feb 26 2022

web apr 20 2022 ficino in spain toronto iberic susan byrne introduction to industrial engineering mccright under a cloud life in cherrapunji the wettest place on

ficino in spain toronto iberic susan byrne - Dec 27 2021

web transfer fiumicino fco airport to civitavecchia port with 3 hours rome tour 0 reviews from 490 per adult 7 day rome pisa and venice cultural and historical tour 0

ficino definition meaning dictionary com - Jun 01 2022

web 2 days ago ficino definition marsilio mar'si:lio 1433 99 italian neoplatonist philosopher attempted to meaning pronunciation translations and examples

fiumicino italy 2023 best places to visit tripadvisor - Nov 25 2021

web the piccino group is pleased to announce the opening of bar piccino in august of 2022 located adjacent to the main dining room bar piccino features delicious craft cocktails

[university of toronto press ficino in spain](#) - May 12 2023

web ficino in spain susan byrne toronto iberic 18 toronto university of toronto press 2015 xiv þ 364 pp 70 susan byrne s ficino in spain is a book that was waiting to be

ficino in spain susan byrne þ ff on hebreo whose impact was - Apr 11 2023

web jul 13 2015 select the department you want to search in

ficino in spain toronto iberic by byrne susan abebooks - Sep 04 2022

web of this ficino in spain toronto iberic english edition can be taken as capably as picked to act the gastronomical arts in spain frederick a de armas 2022 03 01 the

ficino in spain toronto iberic kindle edition amazon com - Jan 08 2023

web abebooks com ficino in spain toronto iberic 9781442650565 by byrne susan and a great selection of similar new used and collectible books available now at great prices

pdf ficino in spain susan byrne toronto iberic 18 toronto - Jun 13 2023

web imprint university of toronto press series toronto iberic page count 384 pages illustrations 20 b w illustrations 3 b w tables dimensions 6 50 x 9 35 world rights

ficino in spain overdrive - Feb 09 2023

web jul 13 2015 hello sign in account lists returns orders cart

ficino in spain toronto iberic help environment harvard edu - Sep 23 2021

ficino in spain susan byrne toronto iberic 18 toronto - Aug 15 2023

web ficino in spain susan byrne toronto iberic 18 toronto university of toronto press 2015 xiv 364 pp 70 volume 69 issue 2

ficino in spain toronto iberic hardcover amazon co uk - Nov 06 2022

web jul 3 2015 ficino in spain toronto iberic english edition ebook byrne susan amazon de kindle store

ficino in spain toronto iberic susan byrne - Mar 30 2022

web looking for ficino find out information about ficino the following article is from the great soviet encyclopedia it might be outdated or ideologically biased born oct 19

ficino in spain toronto iberic susan byrne - Jul 02 2022

web ficino definition marsilio mar'si:lio 1433 99 italian neoplatonist philosopher attempted to integrate platonism with christianity see more

ficino in spain toronto iberic english edition kindle edition - Oct 05 2022

web ficino in spain by byrne susan and a great selection of related books art and collectibles available now at abebooks com

ficino in spain toronto iberic kindle edition amazon ca - Mar 10 2023

web jul 27 2015 in ficino in spain susan byrne uses textual and bibliographic evidence to show the pervasive impact of ficino s writings and translations on the spanish

ficino definition and meaning collins english dictionary - Apr 30 2022

web ficino in spain toronto iberic susan byrne there are many different flavours or interpretations of what openness means in education this free course open education

piccino - Oct 25 2021

web modern spain in ficino in spain susan byrne uses textual and bibliographic evidence to show the pervasive impact of ficino s writings and translations on the spanish

the antiquary university of edinburgh - Apr 12 2023

web dec 19 2011 scott probably began writing on 30 december and had completed the antiquary by mid march 1816 the

action of the antiquary can be precisely dated to july and august 1794 approximately a decade after the action of guy mannering in scott s conception as expressed in the advertisement at the head of the first edition the novel

[İstanbul ve alaçatı da lüks oteller the stay](#) - Dec 28 2021

web the stay warehouse daki etkinlik ve mutfak ekibi kişiye özel etkinlikler oluşturmak için sizinle el ele çalışır ve ekip zevkinizi ve kişiliğinizi yansıtan bir kutlamayı hazırlayabilir the stay warehouse lüksü tanımlayan türünün tek örneği olan özel tesisinde kutlama ve etkinliklere de ev sahipliği yapmaktadır detay

the antiquary read comic online bilibili comics - Dec 08 2022

web having exceeded three billion views the antiquary is the 1 bestselling novel on mars novel and the top supernatural novel on migu literature as yin object merchant zhang jiulin explains the mysterious history behind each antique you ll find fascinating love stories amazing historical discoverie

[the antiquary volume 01 scott walter amazon com tr kitap](#) - Sep 05 2022

web arama yapmak istediğiniz kategoriye seçin

antiquary english meaning cambridge dictionary - Oct 06 2022

web antiquary definition 1 old use for antiquarian 2 old use for antiquarian learn more

the antiquary scotch whisky - Jan 09 2023

web blended scotch whisky named after the 1816 gothic novel by sir walter scott the antiquary is a victorian blend with edinburgh roots that now falls under japanese ownership early bottles featured a caricature of one of scott s main characters likely the antiquary himself jonathan oldbuck on the label

[the antiquary katalog istanbul edu tr](#) - Aug 04 2022

web skip to bottom content giriş

the antiquary by sir walter scott fiction historical literary - Jul 03 2022

web the antiquary by sir walter scott fiction historical literary classics scott sir walter amazon com tr

[allan barton the antiquary youtube](#) - Jun 02 2022

web allan barton the antiquary allanbarton 65 4k subscribers 149 videos hello my name is dr allan barton and welcome to my channel this is a channel for those who are fascinated like me in

the antiquary medieval cultural royal british history - Nov 07 2022

web welcome to the the antiquary get your magazine subscription or find our youtube channel explore british history quirky traditions stories places from the past learn about medieval art and gothic architecture the british monarchy and discover more about our

[the antiquary by sir walter scott project gutenber](#) - Jul 15 2023

web aug 16 2004 of this the antiquary made level particularly aware adding that his friend the rev doctor heavysterne from the low countries had sustained much injury by sitting down suddenly and incautiously on three ancient calthrops or crawtaes which had been lately dug up in the bog near bannockburn and which dispersed by robert bruce to

10 of the best antiques shops in istanbul the guardian - Feb 27 2022

web sep 14 2011 a la turca ala turca erkal aksoy the irrepressible owner of Çukurcuma s richest antique shop is as much a curator as he is an antiques dealer a la turca has been designed to maintain the

[librivox](#) - Mar 11 2023

web the antiquary andrew lang 1844 1912 and sir walter scott 1771 1832 illegitimacy false identity and bankruptcy are the major elements of sir walter scott s 1816 novel the antiquary set in the period of the french revolution the novel s hero level struggles to gain repute and the hand of his beloved despite his uncertain parentage

the antiquary complete by walter scott project gutenber - May 13 2023

web aug 17 2004 71 515 free ebooks 126 by walter scott the antiquary complete by walter scott read now or download free similar books readers also downloaded in

the antiquary anonymous amazon com tr kitap - Mar 31 2022

web the antiquary anonymous amazon com tr kitap Çerez tercihlerinizi seçin Çerez bildirimimizde ayrıntılı şekilde açıklandığı üzere alışveriş yapmanızı sağlamak alışveriş deneyiminizi iyileştirmek ve hizmetlerimizi sunmak için gerekli olan çerezleri ve benzer araçları kullanırız

antiquary definition of antiquary by the free dictionary - Jan 29 2022

web define antiquary antiquary synonyms antiquary pronunciation antiquary translation english dictionary definition of antiquary n pl an ti quar ies an antiquarian

the antiquary master of malt - Jun 14 2023

web the antiquary today is known as much for its unique diamond esque bottle shape which became synonymous with the brand as it is for distilling exceptional scotch whisky introduced in the mid 20th century it survived the previous changes in ownership until it was remodelled in 2015

the antiquary volume 35 anonymous amazon com tr kitap - May 01 2022

web the antiquary volume 35 anonymous amazon com tr kitap Çerez tercihlerinizi seçin Çerez bildirimimizde ayrıntılı şekilde açıklandığı üzere alışveriş yapmanızı sağlamak alışveriş deneyiminizi iyileştirmek ve hizmetlerimizi sunmak için gerekli olan çerezleri ve benzer araçları kullanırız

the antiquary wikipedia - Aug 16 2023

web the antiquary 1816 the third of the waverley novels by walter scott centres on the character of an antiquary an amateur

historian archaeologist and collector of items of dubious antiquity

antiquarian wikipedia - Feb 10 2023

web an antiquarian or antiquary from latin antiquarius pertaining to ancient times is an aficionado or student of antiquities or things of the past more specifically the term is used for those who study history with particular attention to ancient artifacts archaeological and historic sites or historic archives and manuscripts