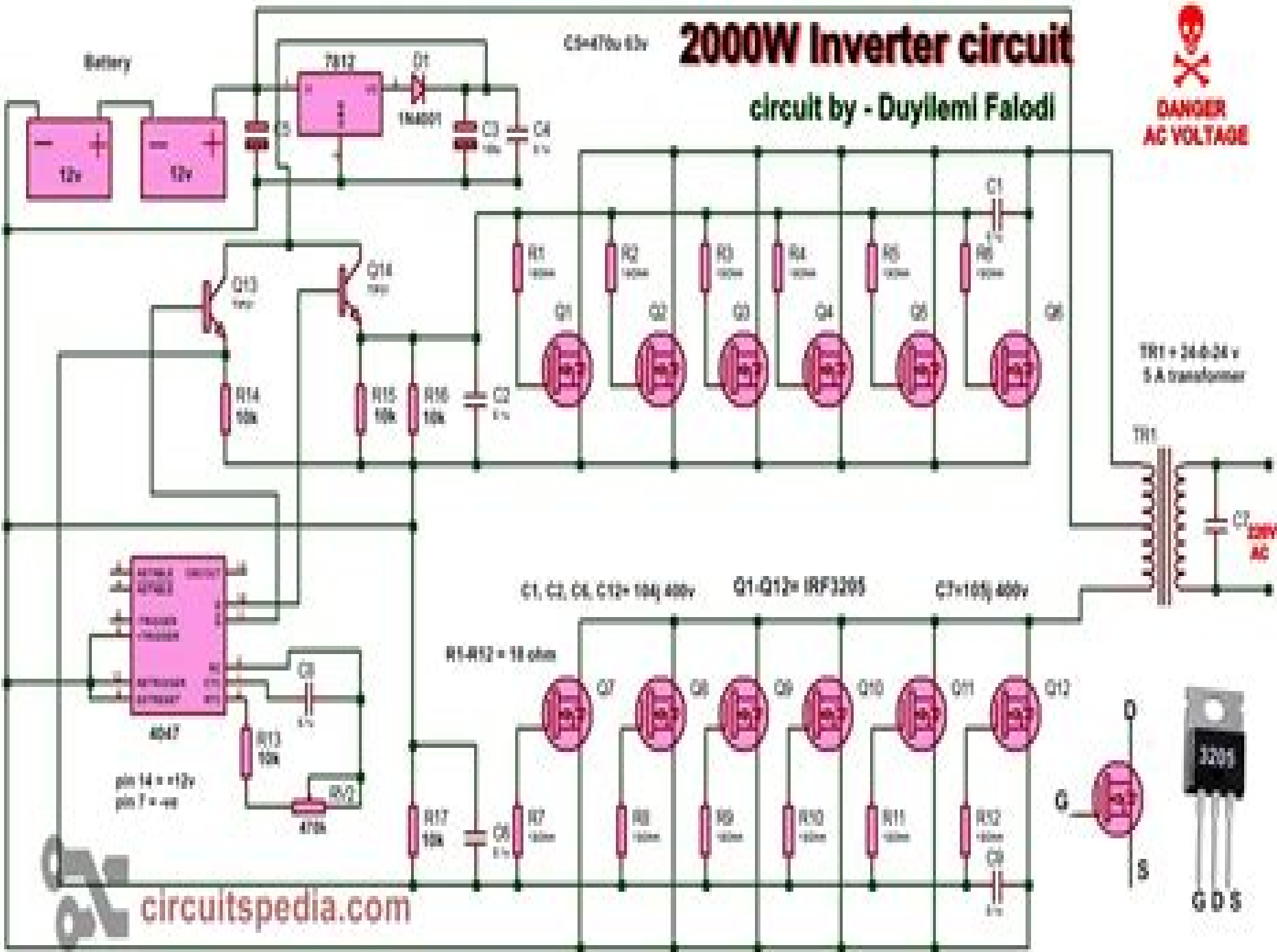


# 2000W Inverter circuit

circuit by - Duyilemi Falodi



TR1 = 240:24 v  
5 A transformer

C7 = 100µF  
AC

C1, C2, C5, C13 = 100µF 400V    Q1-Q12 = IRF3205    C7 = 100µF 400V

R1-R12 = 100kΩ



# Circuit Diagram For Inverter Design

**Michael Seilmaier**



**Circuit Diagram For Inverter Design:**

## Decoding **Circuit Diagram For Inverter Design**: Revealing the Captivating Potential of Verbal Expression

In a time characterized by interconnectedness and an insatiable thirst for knowledge, the captivating potential of verbal expression has emerged as a formidable force. Its power to evoke sentiments, stimulate introspection, and incite profound transformations is genuinely awe-inspiring. Within the pages of "**Circuit Diagram For Inverter Design**," a mesmerizing literary creation penned by way of a celebrated wordsmith, readers set about an enlightening odyssey, unraveling the intricate significance of language and its enduring effect on our lives. In this appraisal, we shall explore the book's central themes, evaluate its distinctive writing style, and gauge its pervasive influence on the hearts and minds of its readership.

<https://py.bijouxmedusa.com/files/Resources/default.aspx/Intermediate%20Accounting%2015th%20Edition.pdf>

### **Table of Contents Circuit Diagram For Inverter Design**

1. Understanding the eBook Circuit Diagram For Inverter Design
  - The Rise of Digital Reading Circuit Diagram For Inverter Design
  - Advantages of eBooks Over Traditional Books
2. Identifying Circuit Diagram For Inverter Design
  - Exploring Different Genres
  - Considering Fiction vs. Non-Fiction
  - Determining Your Reading Goals
3. Choosing the Right eBook Platform
  - Popular eBook Platforms
  - Features to Look for in an eBook Platform
  - User-Friendly Interface
4. Exploring eBook Recommendations from Circuit Diagram For Inverter Design
  - Personalized Recommendations
  - Circuit Diagram For Inverter Design User Reviews and Ratings
  - Circuit Diagram For Inverter Design and Bestseller Lists

5. Accessing Circuit Diagram For Inverter Design Free and Paid eBooks
  - Circuit Diagram For Inverter Design Public Domain eBooks
  - Circuit Diagram For Inverter Design eBook Subscription Services
  - Circuit Diagram For Inverter Design Budget-Friendly Options
6. Navigating Circuit Diagram For Inverter Design eBook Formats
  - ePub, PDF, MOBI, and More
  - Circuit Diagram For Inverter Design Compatibility with Devices
  - Circuit Diagram For Inverter Design Enhanced eBook Features
7. Enhancing Your Reading Experience
  - Adjustable Fonts and Text Sizes of Circuit Diagram For Inverter Design
  - Highlighting and Note-Taking Circuit Diagram For Inverter Design
  - Interactive Elements Circuit Diagram For Inverter Design
8. Staying Engaged with Circuit Diagram For Inverter Design
  - Joining Online Reading Communities
  - Participating in Virtual Book Clubs
  - Following Authors and Publishers Circuit Diagram For Inverter Design
9. Balancing eBooks and Physical Books Circuit Diagram For Inverter Design
  - Benefits of a Digital Library
  - Creating a Diverse Reading Collection Circuit Diagram For Inverter Design
10. Overcoming Reading Challenges
  - Dealing with Digital Eye Strain
  - Minimizing Distractions
  - Managing Screen Time
11. Cultivating a Reading Routine Circuit Diagram For Inverter Design
  - Setting Reading Goals Circuit Diagram For Inverter Design
  - Carving Out Dedicated Reading Time
12. Sourcing Reliable Information of Circuit Diagram For Inverter Design
  - Fact-Checking eBook Content of Circuit Diagram For Inverter Design
  - Distinguishing Credible Sources
13. Promoting Lifelong Learning

- Utilizing eBooks for Skill Development
  - Exploring Educational eBooks
14. Embracing eBook Trends
- Integration of Multimedia Elements
  - Interactive and Gamified eBooks

### **Circuit Diagram For Inverter Design Introduction**

Circuit Diagram For Inverter Design Offers over 60,000 free eBooks, including many classics that are in the public domain. Open Library: Provides access to over 1 million free eBooks, including classic literature and contemporary works. Circuit Diagram For Inverter Design Offers a vast collection of books, some of which are available for free as PDF downloads, particularly older books in the public domain. Circuit Diagram For Inverter Design : This website hosts a vast collection of scientific articles, books, and textbooks. While it operates in a legal gray area due to copyright issues, its a popular resource for finding various publications. Internet Archive for Circuit Diagram For Inverter Design : Has an extensive collection of digital content, including books, articles, videos, and more. It has a massive library of free downloadable books. Free-eBooks Circuit Diagram For Inverter Design Offers a diverse range of free eBooks across various genres. Circuit Diagram For Inverter Design Focuses mainly on educational books, textbooks, and business books. It offers free PDF downloads for educational purposes. Circuit Diagram For Inverter Design Provides a large selection of free eBooks in different genres, which are available for download in various formats, including PDF. Finding specific Circuit Diagram For Inverter Design, especially related to Circuit Diagram For Inverter Design, might be challenging as theyre often artistic creations rather than practical blueprints. However, you can explore the following steps to search for or create your own Online Searches: Look for websites, forums, or blogs dedicated to Circuit Diagram For Inverter Design, Sometimes enthusiasts share their designs or concepts in PDF format. Books and Magazines Some Circuit Diagram For Inverter Design books or magazines might include. Look for these in online stores or libraries. Remember that while Circuit Diagram For Inverter Design, sharing copyrighted material without permission is not legal. Always ensure youre either creating your own or obtaining them from legitimate sources that allow sharing and downloading. Library Check if your local library offers eBook lending services. Many libraries have digital catalogs where you can borrow Circuit Diagram For Inverter Design eBooks for free, including popular titles. Online Retailers: Websites like Amazon, Google Books, or Apple Books often sell eBooks. Sometimes, authors or publishers offer promotions or free periods for certain books. Authors Website Occasionally, authors provide excerpts or short stories for free on their websites. While this might not be the Circuit Diagram For Inverter Design full book , it can give you a taste of the authors writing style. Subscription Services Platforms like Kindle Unlimited or Scribd offer subscription-based

access to a wide range of Circuit Diagram For Inverter Design eBooks, including some popular titles.

### **FAQs About Circuit Diagram For Inverter Design Books**

How do I know which eBook platform is the best for me? Finding the best eBook platform depends on your reading preferences and device compatibility. Research different platforms, read user reviews, and explore their features before making a choice. Are free eBooks of good quality? Yes, many reputable platforms offer high-quality free eBooks, including classics and public domain works. However, make sure to verify the source to ensure the eBook credibility. Can I read eBooks without an eReader? Absolutely! Most eBook platforms offer webbased readers or mobile apps that allow you to read eBooks on your computer, tablet, or smartphone. How do I avoid digital eye strain while reading eBooks? To prevent digital eye strain, take regular breaks, adjust the font size and background color, and ensure proper lighting while reading eBooks. What the advantage of interactive eBooks? Interactive eBooks incorporate multimedia elements, quizzes, and activities, enhancing the reader engagement and providing a more immersive learning experience. Circuit Diagram For Inverter Design is one of the best book in our library for free trial. We provide copy of Circuit Diagram For Inverter Design in digital format, so the resources that you find are reliable. There are also many Ebooks of related with Circuit Diagram For Inverter Design. Where to download Circuit Diagram For Inverter Design online for free? Are you looking for Circuit Diagram For Inverter Design PDF? This is definitely going to save you time and cash in something you should think about. If you trying to find then search around for online. Without a doubt there are numerous these available and many of them have the freedom. However without doubt you receive whatever you purchase. An alternate way to get ideas is always to check another Circuit Diagram For Inverter Design. This method for see exactly what may be included and adopt these ideas to your book. This site will almost certainly help you save time and effort, money and stress. If you are looking for free books then you really should consider finding to assist you try this. Several of Circuit Diagram For Inverter Design are for sale to free while some are payable. If you arent sure if the books you would like to download works with for usage along with your computer, it is possible to download free trials. The free guides make it easy for someone to free access online library for download books to your device. You can get free download on free trial for lots of books categories. Our library is the biggest of these that have literally hundreds of thousands of different products categories represented. You will also see that there are specific sites catered to different product types or categories, brands or niches related with Circuit Diagram For Inverter Design. So depending on what exactly you are searching, you will be able to choose e books to suit your own need. Need to access completely for Campbell Biology Seventh Edition book? Access Ebook without any digging. And by having access to our ebook online or by storing it on your computer, you have convenient answers with Circuit Diagram For Inverter Design To

get started finding Circuit Diagram For Inverter Design, you are right to find our website which has a comprehensive collection of books online. Our library is the biggest of these that have literally hundreds of thousands of different products represented. You will also see that there are specific sites catered to different categories or niches related with Circuit Diagram For Inverter Design So depending on what exactly you are searching, you will be able to choose ebook to suit your own need. Thank you for reading Circuit Diagram For Inverter Design. Maybe you have knowledge that, people have search numerous times for their favorite readings like this Circuit Diagram For Inverter Design, but end up in harmful downloads. Rather than reading a good book with a cup of coffee in the afternoon, instead they juggled with some harmful bugs inside their laptop. Circuit Diagram For Inverter Design is available in our book collection an online access to it is set as public so you can download it instantly. Our digital library spans in multiple locations, allowing you to get the most less latency time to download any of our books like this one. Merely said, Circuit Diagram For Inverter Design is universally compatible with any devices to read.

### **Find Circuit Diagram For Inverter Design :**

*intermediate accounting 15th edition*

international management managing across borders and cultures text and cases 8th edition

introduction to financial accounting ninth edition

introduction to discrete event simulation and agent based modeling voting systems health care military and manufacturing in the balance worldwar 1 harry turtledove

*income tax laws petiwala books*

**introduction to fluid mechanics 3rd edition**

international management 8th edition deresky

installing freepbx 10 13 66 official distro wikingoma

**industry analysis soft drinks**

introduction to financial accounting 10th edition horngren

introduction hospitality management 4th edition

internal control matrix template

*international handbook of research in professional and practice based learning springer international handbooks of education*

intermediate ios 9 programming with swift gumroad

## Circuit Diagram For Inverter Design :

[15 scrumptious soup recipes you ll love the singapore](#) - Apr 18 2022

web march 5 2020 when you re not feeling very inspired or don t have a lot of time cook a pot of soup flavourful and hearty soups are one of the easiest and most versatile dishes to make most of the time you only need to put all the ingredients in a pot and let it boil here we ve got 15 soup recipes you re going to love and keep

**100 easy homemade soup recipes ideas how to make soup delish** - Sep 23 2022

web from classic chicken noodle to tomato and potato soup recipes search subscribe delish 24 easy soup recipes hearty healthy ftw by meaghan wamboldt

*soup cookbook simple and healthy homemade recipes to* - Oct 05 2023

web soup cookbook simple and healthy homemade recipes to warm the soul healthy recipes for weight loss the healthy food guide tabakova vesela amazon sg books

*soups easy healthy homemade soup recipes simply delicious cookbooks* - May 20 2022

web nov 25 2013 royce anderson soups easy healthy homemade soup recipes simply delicious cookbooks book 2 kindle edition by royce anderson author format kindle edition 4 2 26 ratings see all formats and editions kindle 0 00 read with kindle unlimited to also enjoy access to over 4 million more titles 4 49 to buy soup is the quintessential

**all the best soup recipes healthy homemade soups skinnytaste** - Aug 23 2022

web creamy sausage and potato soup 55 mins 1 2 6 the best collection of satisfying and healthy soup recipes from classic vegetable soups to slow cooker soups and more there are plenty to choose from

[50 light and healthy soup recipes skinnytaste](#) - Feb 26 2023

web jan 26 2015 this slimmed down version of cream of broccoli soup is quick and easy to put together butternut squash soup is smooth and velvety perfect fall soup corned beef and cabbage soup a fun twist on a classic irish dish here s a great roundup of 50 easy healthy low calorie soup recipes made with real food

*15 healthy soup recipes everyone will love a couple cooks* - Jul 22 2022

web aug 11 2021 add the olive oil to a dutch oven add the onion celery and carrot and cook stirring occasionally for 5 minutes until lightly browned add mushrooms and saute for 2 minutes add garlic thyme and oregano and stir for 2 minutes add the broth wild rice 1 ½ teaspoon kosher salt and black pepper bring to a simmer

**60 easy healthy soup recipes taste of home** - Sep 04 2023

web dec 10 2021 60 easy healthy soup recipes sue stetzel updated sep 15 2023 filled to the brim with flavorful ingredients these easy healthy soup recipes will keep you on track 1 59 creamy chicken rice soup one of our favorite healthy soup recipes i came up with this easy dish while making some adjustments to a stovetop chicken casserole

**85 healthy soups bbc good food** - Jan 28 2023

web home recipes collection 85 healthy soups 85 healthy soups 85 recipes subscribe today and choose a new cookbook from jamie nadiya or mary berry enjoy some comfort food without the calories by whipping up a wholesome soup full of nutritious ingredients perfect for a warming lunch or light supper green pesto minestrone 28 ratings

**15 high fiber high protein dinner soup recipes eatingwell** - Mar 18 2022

web oct 23 2023 chicken soup with recaito potatoes this hearty chicken soup builds flavor quickly thanks to store bought recaito a cooking base made from culantro onions sweet peppers and garlic each bite is packed with veggies including potatoes carrots and red bell pepper lime juice finishes the dish to add brightness

soup cookbook simple and healthy homemade recipes to - Jul 02 2023

web jul 3 2016 soup cookbook simple and healthy homemade recipes to warm the soul healthy recipes for weight loss souping and soup diet for weight loss kindle edition by tabakova vesela the healthy food guide cookbooks food wine kindle ebooks amazon com kindle store kindle ebooks cookbooks food wine

**simple homemade soup 5 recipes the healthy** - Mar 30 2023

web jan 8 2015 fresh ground black pepper to taste instructions 1 heat the olive oil in a heavy pan and stir in the chopped onion and garlic for a few minutes until soft 2 add the coriander cumin cinnamon turmeric and tomato concentrate and stir 3 add the butternut squash and water and bring to a boil uncovered 4

**healthy soup recipes eatingwell** - Jun 20 2022

web one pot lentil vegetable soup with parmesan 40 mins one pot chicken cabbage soup 40 mins 30 new healthy soup recipes to make this january vegetarian potato kale soup 45 mins chicken ramen with bok choy soy eggs 1 hr 30 mins

soup cookbook simple and healthy homemade recipes to w - Apr 30 2023

web soup cookbook simple and healthy homemade recipes to warm the soul healthy recipes for weight loss vesela tabakova comes a great new collection of delicious easy to make recipes this time she offers us a veritable around the world of healthy soup recipes comforting and enjoyable soothing and healing

the soup cookbook made easy 365 days of flavorful and - Oct 25 2022

web oct 6 2023 365 days of sumptuous soup recipes that are sure to win over every palate fusing rustic classics with modern twists highlighting 5 must have pantry staples crucial for soup mastery probably already in your kitchen expert pointers on soup prep and presentation ensuring a delightful soup making journey from simmer to serve and so

*20 best healthy soup recipes that are quick and cozy the pioneer woman* - Dec 27 2022

web jul 26 2023 so what makes these soup recipes healthy we ve included plenty of nutritious ingredients like spinach kale and butternut squash plus hearty options featuring whole grains and lean ground turkey

**our 20 most popular healthy soup recipes** - Feb 14 2022

web jun 29 2021 out most popular healthy soup has almost 4 000 glowing reviews this tortilla soup tastes better than anything you can get at a restaurant says recipe creator elena and it s healthy too don t let the long list of ingredients fool you all you do is dump everything into the slow cooker and walk away

**15 easy soup recipes healthy delicious a couple cooks** - Nov 25 2022

web oct 17 2018 in a large soup pot heat the butter sauté the onions garlic and bay leaves until the onions are translucent 5 to 6 minutes to the pot add the artichokes canned tomatoes water oregano basil parmesan cheese and kosher salt simmer for 15 minutes remove the bay leaves

*soup cookbook simple and healthy homemade recipes to* - Aug 03 2023

web soup cookbook simple and healthy homemade recipes to warm the soul healthy recipes for weight loss souping and soup diet for weight loss ebook tabakova vesela the healthy food guide amazon com au kindle store kindle store kindle ebooks cookbooks food wine read now or buy now with 1 click deliver to

*soup cookbook simple and healthy homemade recipes to* - Jun 01 2023

web buy soup cookbook simple and healthy homemade recipes to warm the soul healthy recipes for weight loss souping and soup diet for weight loss by tabakova vesela the healthy food guide isbn 9781520471631 from amazon s book store everyday low prices and free delivery on eligible orders

weihnachten das goldene von gu kochen und backen für - Dec 10 2022

web abebooks com weihnachten das goldene von gu kochen und backen für ein glänzendes fest 9783833833120 and a great selection of similar new used and collectible books available now at great prices

**weihnachten das goldene von gu kochform** - Jan 31 2022

web das goldene von gu alle rezepte für ein glänzendes fest versammelt in einem buch Lieblingsplätzchen süße teilchen stollen kuchen und torten dazu geschenke aus der küche sowie getränke wie punsch grog und co für liebe gäste und weihnachtliche feste gibt es außerdem ein eigenes menükapitel mit planer von unkompliziert bis

**weihnachtsbäckerei gu online shop** - Jun 04 2022

web noch mehr kulinarische inspirationen für die schönste jahreszeit bekommst du in weihnachten das goldene von gu hier findest du nicht nur den christstollen sondern auch über 250 rezept highlights rund um weihnachten von knusprigen plätzchen bis zu festlichen braten mit perfekten menüs und planern für die optimale zusammenstellung

**weihnachten das goldene von gu kochen und backen für** - Jun 16 2023

web das goldene von gu alle rezepte für ein glänzendes fest versammelt in einem buch Lieblingsplätzchen süße teilchen stollen kuchen und torten dazu geschenke aus der küche sowie getränke wie punsch grog und co für liebe gäste und

weihnachtliche feste gibt es außerdem ein eigenes menükapitel mit planer von unkompliziert bis

**weihnachten das goldene von gu kochen und backen für** - Nov 09 2022

web weihnachten das goldene von gu kochen und backen für ein glänzendes fest on amazon com au free shipping on eligible orders weihnachten das goldene von gu kochen und backen für ein glänzendes fest

**weihnachten das goldene von gu kochbuch backen** - Jan 11 2023

web das goldene von gu alle rezepte für ein glänzendes fest versammelt in einem buch Lieblingsplätzchen süße teilchen stollen kuchen und torten dazu geschenke aus der küche sowie getränke wie punsch grog und co für liebe gäste und

weihnachtliche feste gibt es außerdem ein eigenes menükapitel mit planer von unkompliziert bis

*weihnachten das goldene von gu kochen und backen für* - Sep 07 2022

web weihnachten das goldene von gu kochen und backen für ein glänzendes fest adriane andreas amazon com tr kitap

**weihnachten das goldene von gu kochen und** - Apr 02 2022

web weihnachten das goldene von gu kochen und backen für ein glänzendes fe buch finden sie alle bücher von fest bei der büchersuchmaschine eurobuch com können sie antiquarische und neubücher vergleichen und sofort zum bestpreis bestellen oh du köstliche weihnachten ist die leckerste zeit des

**backen das goldene von gu rezepte zum glänzen und** - Mar 01 2022

web gratis premiumversand 30 tage gratiszeitraum starten und prime vorteile entdecken nach deinem 30 tage

gratiszeitraum kostet prime nur eur 8 99 monat neu 25 00 preisangaben inkl ust abhängig von der lieferadresse kann die ust an der kasse variieren weitere informationen kostenfreie retouren gratis lieferung

**weihnachten das goldene von gu kochen bücherheld** - May 03 2022

web das goldene von gu alle rezepte für ein glänzendes fest versammelt in einem buch Lieblingsplätzchen süße teilchen stollen kuchen und torten dazu geschenke aus der küche sowie getränke wie punsch grog und co für liebe gäste und

weihnachtliche feste gibt es außerdem ein eigenes menükapitel mit planer von unkompliziert bis

**weihnachten das goldene von gu von alessandra redies** - Aug 06 2022

web alles für weihnachten weihnachten das goldene von gu hat wirklich alles im inhalt was man an weihnachten zum backen kochen getränken und geschenken zum naschen so braucht ganz besonders hilfreich sind die kapitel menüplaner und

festliche weihnachtsmenüs die einem das zusammenstellen von menüs vereinfachen da freut

*weihnachten das goldene von gu weltbild* - Oct 08 2022

web das goldene von gu alle rezepte für ein glänzendes fest versammelt in einem buch Lieblingsplätzchen süße teilchen stollen kuchen und torten dazu geschenke aus der küche sowie getränke wie punsch grog und co für liebe gäste und

weihnachtliche feste gibt es außerdem ein eigenes menükapitel mit planer von unkompliziert bis

[weihnachtsrezepte das goldene von gu youtube](#) - Mar 13 2023

web dec 14 2014 weihnachtsrezepte das goldene von guich liebe die adventszeit den duft nach glühwein stollen und plätzchen aber wo gibts die besten weihnachtsrezepte a

*das große weihnachtsbuch kochen backen und geniessen* - Jul 05 2022

web dieser artikel das große weihnachtsbuch kochen backen und geniessen gebundene ausgabe 19 99 weihnachten das goldene von gu kochen und backen für ein glänzendes fest gu die goldene reihe von adriane

[weihnachten das goldene von gu von alessandra redies](#) - May 15 2023

web weihnachten das goldene von gu hat wirklich alles im inhalt was man an weihnachten zum backen kochen getränken und geschenken zum naschen so braucht ganz besonders hilfreich sind die kapitel menüplaner und festliche

weihnachtsmenüs die einem das zusammenstellen von menüs vereinfachen

[weihnachten das goldene von gu vivat de](#) - Feb 12 2023

web weihnachten das goldene von gu weihnachten das goldene von gu kochen und backen 12 00 inkl mwst zzgl versandkosten lieferbar lieferzeit 1 3 tage 1 in den warenkorb blick ins buch merken kauf auf rechnung kostenlose

rücksendung 1 monat widerrufsrecht wir sind zertifiziert o du köstliche

*weihnachten das goldene von gu sarto verlag* - Jul 17 2023

web das goldene von gu kochen und backen für ein glänzendes fest was wartet nicht alles auf dem kulinarischen gabentisch knusprige plätzchen festliche braten und duftende stollen so weit das auge reicht bisher aber hieß es jedes plätzchen in

einem anderen kochbuch und wo stand noch mal das bratenrezept

[weihnachten das goldene von gu adriane andreas gu](#) - Aug 18 2023

web sep 7 2013 das goldene von gu alle rezepte für ein glänzendes fest versammelt in einem buch Lieblingsplätzchen süße teilchen stollen kuchen und torten dazu geschenke aus der küche sowie getränke wie punsch grog und co für liebe gäste und weihnachtliche feste gibt es außerdem ein eigenes menükapitel mit planer von

*weihnachten das goldene von gu kochen und backen für* - Sep 19 2023

web weihnachten das goldene von gu kochen und backen für ein glänzendes fest gu die goldene reihe adriane andreas alessandra redies isbn 9783833833120 kostenloser versand für alle bücher mit versand und verkauf duch amazon

**weihnachten das goldene von gu bücher de** - Apr 14 2023

web weihnachten das goldene von gu ist ein koch und backbuch mit über 250 rezept highlights für die schönste zeit des

jahres plätzchen lebkuchen stollen geschenke aus der küche bis hin zu opulenten weihnachtsmenüs mit menüplaner für die perfekte zusammenstellung unschlagbar günstig leseprobe

**about florida center for reading research fcrr** - May 05 2023

web improving reading through science mission fcrr contributes to the quality accessibility use and relevance of reading and reading related research by leveraging our talent resources and partnerships to conduct basic and applied interdisciplinary research on all aspects of reading and reading related skills to benefit learners

**reading first in florida five years of improvement sage** - Jan 01 2023

web five years of reading comprehension data in florida reading first schools were analyzed to address questions regarding student improvement reduction in the achievement gap efficacy of site visits to schools making no achievement gains and effects of student mobility on growth in reading comprehension

**watch nasa build its first robotic moon rover nasa** - Oct 18 2021

web nov 3 2023 months of final assembly and testing lie ahead before viper is ready to ship to the astrobotic payload processing facility in florida in mid 2024 viper s lunar landing atop mons mouton is scheduled for late 2024 where it will get a close up view of the lunar surface and measure the location and concentration of water ice and other resources

**florida center for reading research youtube** - Jan 21 2022

web the florida center for reading research is a multidisciplinary research center at florida state university that was established in 2002 by the governor s office and legislature currently

[kindergarten and first grade florida center for reading research fcrr](#) - Sep 09 2023

web for questions about the use of these materials please contact the florida center for reading research at fcrr fcrr org kindergarten and first grade student center activities phonological awareness phonics fluency vocabulary comprehension

*where companies want employees to work and where* - Sep 16 2021

web november 02 2023 summary companies are trying various strategies to adjust to a new normal in work modalities ranging from fully in office to fully remote to a mix of both a

*graduate resources florida center for reading research* - Jun 25 2022

web the florida center for reading research is committed to providing quality training and resources to support florida state university graduate students graduate students may have unique needs related to career planning while in graduate school as well as questions about how to achieve post graduate career goals both inside and outside the academy

**florida center for reading research fcrr** - Oct 10 2023

web research projects learn more about recently completed and ongoing research projects undertaken by fcrr and the faculty involved discover how fcrr improves reading instruction intervention and assessment in florida and beyond

**second and third grade florida center for reading research** - Oct 30 2022

web for questions about the use of these materials please contact the florida center for reading research at fcrr fcrr org second grade and third grade student center activities phonemic awareness phonics fluency vocabulary comprehension

**the florida center for reading research tallahassee fl facebook** - Feb 19 2022

web the florida center for reading research tallahassee florida 11 273 likes 42 talking about this 230 were here the florida center for reading research fcrr is a multidisciplinary research

*florida s reading first assessment principal s guide ed* - Jul 07 2023

web the four types of assessment required by reading first are as follows screening screening tests provide the teacher a beginning assessment of the child s preparation for grade level reading instruction they are a fi rst alert that a child will need extra help to make adequate progress in reading during the year

for educators florida center for reading research fcrr - Aug 08 2023

web welcome to fcrr we are dedicated to ensuring that all children are reading and succeeding in school teachers instructional coaches clinicians principals and other school staff are critical to achieving that vision here educators can find resources to support their knowledge and practice

*florida s reading first assessment principal s guide 2005* - Sep 28 2022

web florida center for reading research florida state university city centre building 227 north bronough street suite 7250 tallahassee fl 32301 tel 850 644 9352 fax 850 644 9085 e mail fcrr fcrr org web site fcrr org

fcrr student center activities florida center for reading research - Nov 30 2022

web for questions about the use of these resources please contact the florida center for reading research at fcrr fcrr org florida center for reading research 2010 levy avenue suite 100

eric ed580133 florida center for reading research fcrr reading - Nov 18 2021

web jul 12 2015 the florida center for reading research fcrr reading assessment fra consists of computer adaptive reading comprehension and oral language screening tasks that provide measures to track growth over time as well as a probability of literacy success pls linked to grade level performance i e the 50th percentile on the

**resource database florida center for reading research fcrr** - Mar 03 2023

web the fcrr resource database pulls together over 650 materials from across the center s numerous research innovation and engagement activities users can search available materials by resource type project and stakeholder audience we invite you to continue learning and growing with fcrr

*the florida center for reading research fcrr* - Jun 06 2023

web established in 2002 by the governor s office and legislature the florida center for reading research fcrr is a multidisciplinary research center at florida state university that explores all aspects of reading research

florida center for reading research fcrr linkedin - Mar 23 2022

web 2010 levy avenue suite 100 tallahassee florida 32310 us get directions florida center for reading research fcrr 1 362

followers on linkedin the florida center for reading research was

**evidence based reading interventions florida department of education** - Jul 27 2022

web the just read florida office was tasked in s 1001 215 8 f s to work with the florida center for reading research to identify scientifically researched and evidenced based reading instructional and intervention programs that incorporate explicit systematic and sequential approaches to teaching phonemic awareness phonics vocabulary fluency

*florida center for reading research florida state university news* - May 25 2022

web jul 12 2023 published may 6 2021 2 40 pm a florida state university professor has been appointed to a national academies of sciences engineering and medicine nasem committee to

**i ve got a golden ticket how to address foundational gaps in reading** - Apr 23 2022

web jan 27 2022 map reading fluency florida center for reading research a golden ticket for reading instruction good reading instruction requires lots of evidence based practices and resources working synergistically the florida center for reading research fcrr is an excellent place to turn chock full of ready made activities aligned to help

**reading first wikipedia** - Aug 28 2022

web reading first reading first is a federal education program in the united states mandated under the no child left behind act and administered by the federal department of education the program requires that schools funded by reading first use scientifically based reading instruction 1

**florida center for reading research draws on multiple** - Apr 04 2023

web jun 21 2021 ignited by that somber statistic the florida center for reading research fcrr at florida state university is using its extensive network to advance the science of reading with the goal of improving student achievement for all children every single one of us knows a child who is struggling with reading said fcrr director nicole patton terry

*reading first in florida five years of improvement* - Feb 02 2023

web she can be contacted at florida center for reading research 2010 levy ave suite 100 tallahassee fl 32310 e mail email protected yaacov petscher ph d is an associate in research at florida state university and director of research at the florida center for reading research dr

**florida center for reading research fcrr reading program** - Dec 20 2021

web sep 6 2022 florida center for reading research fcrr reading program repository by brian o toole sep 6 2022 the reading program repository is a resource to provide a one stop shop to support florida local education agencies leas with being good consumers of research when selecting reading programs that best meet the needs of