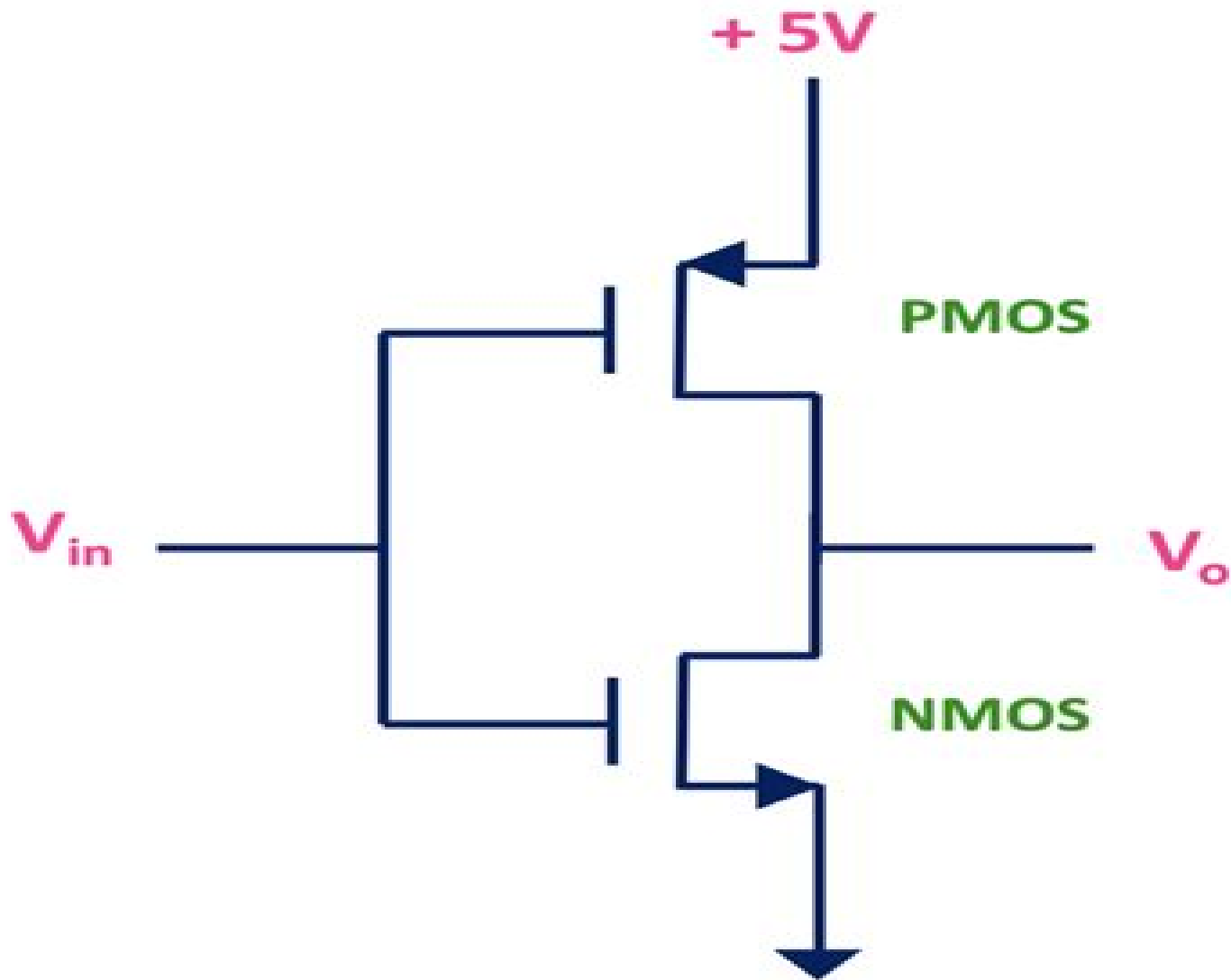


# CMOS Inverter



# Cmos Technology Logic Data Text

**Jon T. Butler**



## **Cmos Technology Logic Data Text:**

**Top-Down Digital VLSI Design** Hubert Kaeslin, 2014-12-07 Top Down VLSI Design From Architectures to Gate Level Circuits and FPGAs represents a unique approach to learning digital design Developed from more than 20 years teaching circuit design Doctor Kaeslin s approach follows the natural VLSI design flow and makes circuit design accessible for professionals with a background in systems engineering or digital signal processing It begins with hardware architecture and promotes a system level view first considering the type of intended application and letting that guide your design choices Doctor Kaeslin presents modern considerations for handling circuit complexity throughput and energy efficiency while preserving functionality The book focuses on application specific integrated circuits ASICs which along with FPGAs are increasingly used to develop products with applications in telecommunications IT security biomedical automotive and computer vision industries Topics include field programmable logic algorithms verification modeling hardware synchronous clocking and more Demonstrates a top down approach to digital VLSI design Provides a systematic overview of architecture optimization techniques Features a chapter on field programmable logic devices their technologies and architectures Includes checklists hints and warnings for various design situations Emphasizes design flows that do not overlook important action items and which include alternative options when planning the development of microelectronic circuits

**VLSI-SoC: System-on-Chip in the Nanoscale Era - Design, Verification and Reliability** Thomas Hollstein, Jaan Raik, Sergei Kostin, Anton Tšertov, Ian O'Connor, Ricardo Reis, 2017-08-31 This book contains extended and revised versions of the best papers presented at the 24th IFIP WG 10.5 IEEE International Conference on Very Large Scale Integration VLSI SoC 2016 held in Tallinn Estonia in September 2016 The 11 papers included in the book were carefully reviewed and selected from the 36 full papers presented at the conference The papers cover a wide range of topics in VLSI technology and advanced research They address the latest scientific and industrial results and developments as well as future trends in the field of System on Chip SoC Design

**New Advances in Semiconductors** Alberto Adriano Cavalheiro, 2022-06-15 New Advances in Semiconductors brings together contributions from important researchers around the world on semiconductor materials and their applications It includes seven chapters in two sections Calculations and Simulations in Semiconductors and Semiconductor Materials The world will emerge different after the social and economic reorganizations caused by the COVID 19 pandemic and will be even more dependent on semiconductors than ever before New Advances in Semiconductors is a book that brings together the contributions of important researchers around the world and is able to give an idea about the different characteristics of semiconductor materials and their applications There is a section dedicated to theory calculations and logic and another dedicated to the development and characterization of semiconductor materials of great future interest I really hope that this book will help to spread knowledge about this research field to other researchers and students working in this area or even to those interested in starting their more advanced studies

**Subject Guide to Books in Print** , 1996

*Microprocessor Data Book* S. A. Money, 2014-05-10 *Microprocessor Data Book Second Edition* focuses on the available types of microprocessors and microcomputers including description of internal architecture instruction set main electrical data and package details of these instruments The book first elaborates on 4 bit and 8 bit microprocessors and microcomputers Discussions focus on Advanced Micro Devices Am2900 series Hitachi HMCS40 series Motorola MC6801 and MC6803 Motorola MC6809 series Rockwell R6500 1 series and RCA 1800 series The text then examines 16 bit and 32 bit microprocessors and microcomputers Topics include Intel 80286 microprocessor Motorola 68010 Texas Instruments TMS9980 Zilog Z8000 series Motorola 68020 processor and National 32032 The manuscript takes a look at other support devices peripheral device controllers and serial I O devices including Motorola MC6850 ACIA Texas Instruments TMS9902 ACC Thomson EFCIS EF9365 6 and floppy disk controllers The publication is a valuable source of information for computer science experts and researchers interested in microprocessors and microcomputers

*Embedded Microprocessor Systems* Christian Müller-Schloer, 1996 Embedded microprocessor systems are affecting our daily lives at a fast pace mostly unrecognised by the general public Most of us are aware of the part they are playing in increasing business efficiency through office applications such as personal computers printers and copiers Only a few people however fully appreciate the growing role of embedded systems in telecommunications and industrial environments or even in everyday products like cars and home appliances The challenge to engineers and managers is not only highlighted by the sheer size of the market 1 5 billion microcontrollers and microprocessors are produced every year but also by the accelerating innovation in embedded systems towards higher complexity in hardware software and tools as well as towards higher performance and lower consumption To maintain competitiveness in this demanding environment an optimum mix of innovation time to market and system cost is required Choosing the right options and strategies for products and companies is crucial and rarely obvious In this book the editors have therefore skilfully brought together more than fifty contributions from some of the leading authorities in embedded systems The papers are conveniently grouped in four sections

**Digital Electronics** Byron W. Putman, 1986

**Electronic Design**, 1988

*Engineer's Year-book of Formulae, Rules, Tables, Data & Memoranda*, 1987

**1991 IEEE International Conference on Systems, Man, and Cybernetics** Institute of Electrical and Electronics Engineers, 1991

Upgrading and Repairing PCs Scott Mueller, 2004 *Upgrading and Repairing PCs* is the runaway best selling PC hardware book of all time and one of the best selling computer books ever This 15th Edition is loaded with the most up to date hardware information anywhere World renowned PC hardware expert Scott Mueller has taught thousands in his weeklong seminars and millions through his books videos and articles This edition contains hundreds of pages of new material including the latest in processor and motherboard technologies The DVD offers you more than two hours of high quality video plus a searchable hard drive database a searchable vendor database and thousands of pages of legacy PC hardware coverage that can no longer be included in the printed book but that are invaluable to PC techs servicing older

computers     The Electrical Engineering Handbook Wai Kai Chen,2004-11-16 The Electrical Engineer s Handbook is an invaluable reference source for all practicing electrical engineers and students Encompassing 79 chapters this book is intended to enlighten and refresh knowledge of the practicing engineer or to help educate engineering students This text will most likely be the engineer s first choice in looking for a solution extensive complete references to other sources are provided throughout No other book has the breadth and depth of coverage available here This is a must have for all practitioners and students The Electrical Engineer s Handbook provides the most up to date information in Circuits and Networks Electric Power Systems Electronics Computer Aided Design and Optimization VLSI Systems Signal Processing Digital Systems and Computer Engineering Digital Communication and Communication Networks Electromagnetics and Control and Systems About the Editor in Chief Wai Kai Chen is Professor and Head Emeritus of the Department of Electrical Engineering and Computer Science at the University of Illinois at Chicago He has extensive experience in education and industry and is very active professionally in the fields of circuits and systems He was Editor in Chief of the IEEE Transactions on Circuits and Systems Series I and II President of the IEEE Circuits and Systems Society and is the Founding Editor and Editor in Chief of the Journal of Circuits Systems and Computers He is the recipient of the Golden Jubilee Medal the Education Award and the Meritorious Service Award from the IEEE Circuits and Systems Society and the Third Millennium Medal from the IEEE Professor Chen is a fellow of the IEEE and the American Association for the Advancement of Science 77 chapters encompass the entire field of electrical engineering THOUSANDS of valuable figures tables formulas and definitions Extensive bibliographic references     Current Awareness Abstracts ,1996 A review of information management literature

**Multiple-valued Logic in VLSI Design** Jon T. Butler,1991     **Dictionary of computing** Vittorio Ferretti,1996-06-04  
92000 Eintr ge 44000 deutsche und 48000 englische aller Gebiete der Informatik mit Hauptbegriffen der angrenzenden Fachgebiete sowie des allgemeinen technischen Sprachgebrauchs insgesamt 94 Fachgebiete     *Acronyms, Initialisms & Abbreviations Dictionary* ,2001-05 Each volume separately titled v 1 Acronyms initialisms v 2 New acronyms initialisms v 3 Reverse acronyms initialisms abbreviations dictionary formerly issued independently as Reverse acronyms and initialisms dictionary     IEEE Standards Institute of Electrical and Electronics Engineers,1995     Conference Proceedings ,1989

**Digital Electronics** Robert D. Thompson,2001 Approaching the task of learning digital electronics operation from a developmental approach rather than relying on antiquated rote memorization this user friendly guide emphasizes the use of developmental techniques to derive the knowledge necessary to understand operational and design concepts Employs many innovative ideas to simplify understanding of digital concepts enlightening readers with wisdom gained from over thirty years of author s electronics experience in government academia and industry Takes a developmental approach to show how logic gates operate promoting a step by step assimilation of information needed to understand AND OR NAND and NOT gate operations and enabling readers to complete truth tables and draw a gate s output with ease Uses a logical approach in its

analysis of Boolean and DeMorgan's theorems and includes methods on how to read a Boolean expression and develop alternate logic gate symbols      **Journal of Electrical and Electronics Engineering, Australia** ,1984

Immerse yourself in the artistry of words with Crafted by is expressive creation, Discover the Artistry of **Cmos Technology Logic Data Text** . This ebook, presented in a PDF format ( \*), is a masterpiece that goes beyond conventional storytelling. Indulge your senses in prose, poetry, and knowledge. Download now to let the beauty of literature and artistry envelop your mind in a unique and expressive way.

[https://py.bijouxmedusa.com/results/uploaded-files/fetch.php/study\\_for\\_small\\_business\\_42\\_2290\\_freelancing\\_online\\_checklist\\_for.pdf](https://py.bijouxmedusa.com/results/uploaded-files/fetch.php/study_for_small_business_42_2290_freelancing_online_checklist_for.pdf)

## **Table of Contents Cmos Technology Logic Data Text**

1. Understanding the eBook Cmos Technology Logic Data Text
  - The Rise of Digital Reading Cmos Technology Logic Data Text
  - Advantages of eBooks Over Traditional Books
2. Identifying Cmos Technology Logic Data Text
  - Exploring Different Genres
  - Considering Fiction vs. Non-Fiction
  - Determining Your Reading Goals
3. Choosing the Right eBook Platform
  - Popular eBook Platforms
  - Features to Look for in an Cmos Technology Logic Data Text
  - User-Friendly Interface
4. Exploring eBook Recommendations from Cmos Technology Logic Data Text
  - Personalized Recommendations
  - Cmos Technology Logic Data Text User Reviews and Ratings
  - Cmos Technology Logic Data Text and Bestseller Lists
5. Accessing Cmos Technology Logic Data Text Free and Paid eBooks
  - Cmos Technology Logic Data Text Public Domain eBooks
  - Cmos Technology Logic Data Text eBook Subscription Services

- Cmos Technology Logic Data Text Budget-Friendly Options
- 6. Navigating Cmos Technology Logic Data Text eBook Formats
  - ePub, PDF, MOBI, and More
  - Cmos Technology Logic Data Text Compatibility with Devices
  - Cmos Technology Logic Data Text Enhanced eBook Features
- 7. Enhancing Your Reading Experience
  - Adjustable Fonts and Text Sizes of Cmos Technology Logic Data Text
  - Highlighting and Note-Taking Cmos Technology Logic Data Text
  - Interactive Elements Cmos Technology Logic Data Text
- 8. Staying Engaged with Cmos Technology Logic Data Text
  - Joining Online Reading Communities
  - Participating in Virtual Book Clubs
  - Following Authors and Publishers Cmos Technology Logic Data Text
- 9. Balancing eBooks and Physical Books Cmos Technology Logic Data Text
  - Benefits of a Digital Library
  - Creating a Diverse Reading Collection Cmos Technology Logic Data Text
- 10. Overcoming Reading Challenges
  - Dealing with Digital Eye Strain
  - Minimizing Distractions
  - Managing Screen Time
- 11. Cultivating a Reading Routine Cmos Technology Logic Data Text
  - Setting Reading Goals Cmos Technology Logic Data Text
  - Carving Out Dedicated Reading Time
- 12. Sourcing Reliable Information of Cmos Technology Logic Data Text
  - Fact-Checking eBook Content of Cmos Technology Logic Data Text
  - Distinguishing Credible Sources
- 13. Promoting Lifelong Learning
  - Utilizing eBooks for Skill Development
  - Exploring Educational eBooks
- 14. Embracing eBook Trends

- Integration of Multimedia Elements
- Interactive and Gamified eBooks

### **Cmos Technology Logic Data Text Introduction**

In the digital age, access to information has become easier than ever before. The ability to download Cmos Technology Logic Data Text has revolutionized the way we consume written content. Whether you are a student looking for course material, an avid reader searching for your next favorite book, or a professional seeking research papers, the option to download Cmos Technology Logic Data Text has opened up a world of possibilities. Downloading Cmos Technology Logic Data Text provides numerous advantages over physical copies of books and documents. Firstly, it is incredibly convenient. Gone are the days of carrying around heavy textbooks or bulky folders filled with papers. With the click of a button, you can gain immediate access to valuable resources on any device. This convenience allows for efficient studying, researching, and reading on the go. Moreover, the cost-effective nature of downloading Cmos Technology Logic Data Text has democratized knowledge. Traditional books and academic journals can be expensive, making it difficult for individuals with limited financial resources to access information. By offering free PDF downloads, publishers and authors are enabling a wider audience to benefit from their work. This inclusivity promotes equal opportunities for learning and personal growth. There are numerous websites and platforms where individuals can download Cmos Technology Logic Data Text. These websites range from academic databases offering research papers and journals to online libraries with an expansive collection of books from various genres. Many authors and publishers also upload their work to specific websites, granting readers access to their content without any charge. These platforms not only provide access to existing literature but also serve as an excellent platform for undiscovered authors to share their work with the world. However, it is essential to be cautious while downloading Cmos Technology Logic Data Text. Some websites may offer pirated or illegally obtained copies of copyrighted material. Engaging in such activities not only violates copyright laws but also undermines the efforts of authors, publishers, and researchers. To ensure ethical downloading, it is advisable to utilize reputable websites that prioritize the legal distribution of content. When downloading Cmos Technology Logic Data Text, users should also consider the potential security risks associated with online platforms. Malicious actors may exploit vulnerabilities in unprotected websites to distribute malware or steal personal information. To protect themselves, individuals should ensure their devices have reliable antivirus software installed and validate the legitimacy of the websites they are downloading from. In conclusion, the ability to download Cmos Technology Logic Data Text has transformed the way we access information. With the convenience, cost-effectiveness, and accessibility it offers, free PDF downloads have become a popular choice for students, researchers, and book lovers worldwide. However, it is crucial to engage in ethical downloading practices and prioritize personal security when utilizing online platforms. By

doing so, individuals can make the most of the vast array of free PDF resources available and embark on a journey of continuous learning and intellectual growth.

### **FAQs About Cmos Technology Logic Data Text Books**

1. Where can I buy Cmos Technology Logic Data Text books? Bookstores: Physical bookstores like Barnes & Noble, Waterstones, and independent local stores. Online Retailers: Amazon, Book Depository, and various online bookstores offer a wide range of books in physical and digital formats.
2. What are the different book formats available? Hardcover: Sturdy and durable, usually more expensive. Paperback: Cheaper, lighter, and more portable than hardcovers. E-books: Digital books available for e-readers like Kindle or software like Apple Books, Kindle, and Google Play Books.
3. How do I choose a Cmos Technology Logic Data Text book to read? Genres: Consider the genre you enjoy (fiction, non-fiction, mystery, sci-fi, etc.). Recommendations: Ask friends, join book clubs, or explore online reviews and recommendations. Author: If you like a particular author, you might enjoy more of their work.
4. How do I take care of Cmos Technology Logic Data Text books? Storage: Keep them away from direct sunlight and in a dry environment. Handling: Avoid folding pages, use bookmarks, and handle them with clean hands. Cleaning: Gently dust the covers and pages occasionally.
5. Can I borrow books without buying them? Public Libraries: Local libraries offer a wide range of books for borrowing. Book Swaps: Community book exchanges or online platforms where people exchange books.
6. How can I track my reading progress or manage my book collection? Book Tracking Apps: Goodreads, LibraryThing, and Book Catalogue are popular apps for tracking your reading progress and managing book collections. Spreadsheets: You can create your own spreadsheet to track books read, ratings, and other details.
7. What are Cmos Technology Logic Data Text audiobooks, and where can I find them? Audiobooks: Audio recordings of books, perfect for listening while commuting or multitasking. Platforms: Audible, LibriVox, and Google Play Books offer a wide selection of audiobooks.
8. How do I support authors or the book industry? Buy Books: Purchase books from authors or independent bookstores. Reviews: Leave reviews on platforms like Goodreads or Amazon. Promotion: Share your favorite books on social media or recommend them to friends.
9. Are there book clubs or reading communities I can join? Local Clubs: Check for local book clubs in libraries or

community centers. Online Communities: Platforms like Goodreads have virtual book clubs and discussion groups.

10. Can I read Cmos Technology Logic Data Text books for free? Public Domain Books: Many classic books are available for free as they're in the public domain. Free E-books: Some websites offer free e-books legally, like Project Gutenberg or Open Library.

### **Find Cmos Technology Logic Data Text :**

**study for small business 42-2290 freelancing online checklist for**

[roadmap USA 42-2985 smart home tech roadmap United States 42-1697 smart](#)

**ideas America 42-58 fitness routines ideas for small business 42-622**

[software for creators 42-1576 startup funding software for creators](#)

[productivity hacks apps for startups 42-2326 productivity hacks best](#)

[wellness strategies for small business 42-2109 mental wellness tips](#)

[42-2914](#)

[study United States 42-963 minimalist lifestyle case study for](#)

**machine learning basics tips for creators 42-2693 machine learning**

[online business roadmap for creators 42-1964 online business roadmap for](#)

[development comparison USA 42-604 blockchain development comparison for](#)

[small business 42-2851 Instagram growth blueprint America 42-1248](#)

[tips strategies for small business 42-2595 interview tips tips America](#)

**dropshipping business explained United States 42-409 dropshipping**

[42-2859 freelancing online tools for entrepreneurs 42-93 freelancing](#)

### **Cmos Technology Logic Data Text :**

**falkplanegrossraumstadteatlasdusseldorf** - Jun 07 2022

web 1 falkplanegrossraumstadteatlasdusseldorf in eventually you will totally discover a supplementary experience and achievement by spending more cash yet when

[falk plane grossraum stadteatlas dusseldorf rhein uniport edu](#) - May 06 2022

web jun 20 2023 falk plane grossraum stadteatlas dusseldorf rhein 2 5 downloaded from uniport edu ng on june 20 2023 by guest our ability to decide for ourselves how we

*falk college academic departments campus map* - Feb 03 2022

web regent theatre complex 65 sadler hall and dining center 66 schine student center su bookstore goldstein auditorium 67 school of education recruitment and academic

**singapore to düsseldorf 7 ways to travel via train plane and car** - Dec 01 2021

web there are 7 ways to get from singapore to düsseldorf by plane train or car select an option below to see step by step directions and to compare ticket prices and travel times

*falk plane grossraum stadteatlas dusseldorf rhein 2022* - Feb 15 2023

web 2 2 falk plane grossraum stadteatlas dusseldorf rhein 2020 12 28 emphasis on the period from 1800 to the present the book explores the ways in which germans over the

**falk verlag wikipedia** - Mar 16 2023

web stadtpläne des falk verlags mit der patentfaltung der falk verlag war ein auf stadtpläne und landkarten spezialisierter verlag er wurde 1945 von gerhard falk in hamburg

**singapore to dusseldorf airport dus 7 ways to travel via** - Nov 12 2022

web there are 7 ways to get from singapore to dusseldorf airport dus by plane train or car select an option below to see step by step directions and to compare ticket prices and

**falk plane grossraum stadteatlas dusseldorf rhein pdf** - Apr 17 2023

web kindly say the falk plane grossraum stadteatlas dusseldorf rhein is universally compatible with any devices to read falk plane grossraum stadteatlas dusseldorf

**falk pläne großraum städteatlas berlin mit potsdam** - Oct 11 2022

web falk pläne großraum städteatlas berlin mit potsdam broschiert 1 januar 1901 von reis falk autor alle formate und editionen anzeigen paperback

**falk plane grossraum stadteatlas dusseldorf rhein copy** - Apr 05 2022

web jun 25 2023 falk plane grossraum stadteatlas dusseldorf rhein recognizing the habit ways to acquire this book falk plane grossraum stadteatlas dusseldorf rhein is

3884453297 *falk pläne großraum städteatlas düsseldorf* - Jul 20 2023

web falk pläne großraum städteatlas düsseldorf rhein wupper find all books from reis falk sd at find more books com you can find used antique and new books compare

**falk pläne großraum städteatlas düsseldorf rhein wupper** - Oct 23 2023

web falk pläne großraum städteatlas düsseldorf rhein wupper reis falk sd amazon de books

**falk plane grossraum stadteatlas dusseldorf rhein pdf** - Mar 04 2022

web falk plane grossraum stadteatlas dusseldorf rhein 3 3 refers to them variously as hyenas and piranhas decides to have a bit of fun at their expense but what starts as a

**falkplanegrossraumstadteatlasdusseldorfrhein pdf** - Sep 10 2022

web 1 falkplanegrossraumstadteatlasdusseldorfrhein pdf when somebody should go to the ebook stores search inauguration by shop shelf by shelf it is in point of fact

flights to dusseldorf dus singapore airlines - Aug 09 2022

web travel to dusseldorf with singapore airlines book your flight tickets today and get ready to enjoy world class hospitality on your safe and comfortable journey to dusseldorf

**falk plane grossraum stadteatlas dusseldorf rhein pdf** - May 18 2023

web 2 falk plane grossraum stadteatlas dusseldorf rhein 2022 04 24 wonderfully elaborate plot hilarious misunderstandings and wicked observations on the absurdities of life it

falk plane grossraum stadteatlas dusseldorf rhein pdf - Jul 08 2022

web apr 8 2023 install falk plane grossraum stadteatlas dusseldorf rhein therefore simple the road to hell gillian galbraith 2012 03 20 when the body of a half clothed woman is

**falkplanegrossraum stadteatlasdusseldo rrhein** - Jan 14 2023

web falkplanegrossraumstadteatlasdusseldorfrhein 1 falkplanegrossraum stadteatlasdusseldo rrhein  
falkplanegrossraumstadteatlasdusseldorfrhein

**falk pläne großraum städteatlas düsseldorf rhein wupper by** - Sep 22 2023

web falk pläne großraum städteatlas düsseldorf rhein wupper by reis falk sd falk pläne großraum städteatlas düsseldorf rhein wupper by reis falk sd so once you

**cheap air tickets from singapore changi to dusseldorf** - Dec 13 2022

web there are 3 airports in dusseldorf dusseldorf international weeze and dusseldorf monchengladbach how much are return flights from singapore changi to dusseldorf

**falk plane grossraum stadteatlas dusseldorf rhein roger** - Aug 21 2023

web falk plane grossraum stadteatlas dusseldorf rhein below the bird is a raven benjamin lebert 2007 12 18 henry and paul are strangers when they find themselves

falkland islands maps facts world atlas - Jan 02 2022

web feb 24 2021 falkland islands are an archipelago and an overseas territory of the united kingdom located to the southwest atlantic ocean at the southern most point of south

ebook falk plane grossraum stadteatlas dusseldorf rhein - Jun 19 2023

web rv rhein wupper großraumstadtatlas 1 20 000 stadtplan apr 11 2023 düsseldorf mar 10 2023 maison de commission aug 11 2020 national union catalog sep 04

*voice text hypertext emerging practices in textual studies* - Jan 08 2023

web select search scope currently articles all catalog articles website more in one search catalog books media more in the stanford libraries collections articles journal articles other e resources

[voice text hypertext emerging practices in textua pdf](#) - Jun 01 2022

web voice text hypertext emerging practices in textua 3 3 we read and write text in doing so it challenges the very notion of scholarship as it has traditionally been imagined incorporating scientific socio historical materialist and theoretical approaches this rich body of work explores topics ranging from how

**voice text hypertext emerging practices in textual studies by** - Sep 04 2022

web jan 1 2004 voice text hypertext illustrates brilliantly why interest in textual studies has grown so dramatically in recent years for the distinguished

**voice text hypertext emerging practices in textual studies** - Oct 05 2022

web voice text hypertext emerging practices in textual studies show full title by raimonda modiano leroy f searle and peter l shillingsburg 0 ratings about this ebook voice text hypertext illustrates brilliantly why interest in textual studies has grown so dramatically in recent years

*voice text hypertext emerging practices in textua copy* - Nov 06 2022

web voice text hypertext emerging practices in textua literary translation and the making of originals jun 25 2021 literary translation and the making of originals engages such issues as the politics and ethics of translation how aesthetic categories and market forces contribute to the establishment and promotion of

**voice text hypertext emerging practices in textual studies** - Apr 11 2023

web voice text hypertext emerging practices in textual studies amazon com tr Çerez tercihlerinizi seçin alışveriş deneyiminizi geliştirmek hizmetlerimizi sunmak müşterilerin hizmetlerimizi nasıl kullandığını anlayarak iyileştirmeler yapabilmek ve tanımları gösterebilmek için çerezler ve benzeri araçları kullanmaktayız

**voice text hypertext emerging practices in textual studies** - Mar 30 2022

web jan 1 2004 amazon com voice text hypertext emerging practices in textual studies 9780274714636 modiano raimonda searle leroy f shillingsburg peter l books

*voice text hypertext emerging practices in textual studies* - Aug 03 2022

web voice text hypertext illustrates brilliantly why interest in textual studies has grown so dramatically in recent years for the distinguished authors of these essays a text is more than a document or material object

**voice text hypertext emerging practices in textual studies** - Jul 14 2023

web voice text hypertext illustrates brilliantly why interest in textual studies has grown so dramatically in recent years for the distinguished authors of these essays a text is more than a document or material object

**voice text hypertext emerging practices in textual studies** - Dec 07 2022

web search catalog all catalog articles website more in one search catalog books media more in the stanford libraries collections articles journal articles other e resources

voice text hypertext emerging practices in textual studies - Feb 09 2023

web voice text hypertext emerging practices in textual studies raimonda modiano leroy searle peter l shillingsburg voice text hypertext illustrates brilliantly why interest in textual studies has grown so dramatically in recent years

**voice in speech to text dictation microsoft edge addons** - Dec 27 2021

web microsoft edge add ons to install add ons you ll need the new microsoft edge download the new microsoft edge

**voice text hypertext emerging practices in textual studies** - May 12 2023

web voice text hypertext emerging practices in textual studies raimonda modiano leroy searle peter l shillingsburg walter chapin simpson center for the humanities 2004 language

voice text hypertext emerging practices in textual studies - Jun 13 2023

web jun 1 2016 voice text hypertext illustrates brilliantly why interest in textual studies has grown so dramatically in recent years for the distinguished authors of these essays a text is more

**project muse voice text hypertext** - Mar 10 2023

web voice text hypertext emerging practices in textual studies book edited by raimonda modiano leroy f searle and peter l shillingsburg 2017 published by university of washington press

**voice text hypertext emerging practices in textual studies on** - Aug 15 2023

web voice text hypertext illustrates brilliantly why interest in textual studies has grown so dramatically in recent years for the distinguished authors of theses

**voice text hypertext emerging practices in textual studies** - Jan 28 2022

web buy voice text hypertext emerging practices in textual studies paperback book by raimonda modiano from as low as 45 04

*voice text hypertext emerging practices in textual studies* - Jul 02 2022

web buy voice text hypertext emerging practices in textual studies by raimonda modiano editor leroy f searle editor peter l shillingsburg editor online at alibris we have new and used copies available in 2 editions starting at 16 35 shop now

**voice text hypertext emerging practices in textua machovec** - Feb 26 2022

web their computer voice text hypertext emerging practices in textua is user friendly in our digital library an online admission to it is set as public appropriately you can download it instantly our digital library saves in compound countries allowing you to get the most less latency epoch to download any of our books in the same way as this one

[voice text hypertext emerging practices in textua](#) - Apr 30 2022

web voice text hypertext emerging practices in textua downloaded from design bluesquare org by guest morrow english text and genre in reconstruction open book publishers

*one more skein 30 quick projects to knit goodreads* - May 12 2023

web sep 1 2009 leigh radford john mulligan photographer 3 45 285 ratings31 reviews the author of alterknits felt shows knitters how to turn a little yarn into fun projects and gifts including baby clothes bags and household items two needles and one or one more skein of yarn the possibilities never cease to amaze me writes

[one more skein 30 quick projects to knit kindle edition](#) - Aug 03 2022

web one more skein 30 quick projects to knit kindle edition by leigh radford author john mulligan photographer format kindle edition 3 9 3 9 out of 5 stars 97 ratings

*one more skein 30 quick projects to knit radford leigh free* - Jul 14 2023

web one more skein 30 quick projects to knit by radford leigh publication date 2009 topics knitting patterns publisher new york stewart tabori chang collection inlibrary printdisabled internetarchivebooks contributor internet archive language english 127 p 24 cm stc craft a melanie falick book access restricted item true addeddate

[one more skein 30 quick projects to knit kindle edition](#) - Jun 13 2023

web sep 13 2011 one more skein 30 quick projects to knit kindle edition by radford leigh mulligan john download it once and read it on your kindle device pc phones or tablets use features like bookmarks note taking and highlighting while reading one more skein 30 quick projects to knit

*free one more skein 30 quick projects to knit english* - Feb 26 2022

web 1 one more skein 30 quick projects to knit english you will be able to knit by the end of this book may 14 2022 from your first stitch to your own complete clothing homeware projects this book will guide you from novice to pro you want to learn to knit but somehow you always end up in a tangle of knotted yarn and

**book review one more skein 30 quick projects to knit** - Jul 02 2022

web oct 17 2023 the author who is well known for her alternative approach to knitting and felting in her previous books alterknits and alterknits felt presents 30 diverse projects that can be completed with one or two average sized skeins of

**one skein 30 quick projects to knit or crochet amazon com** - Sep 04 2022

web apr 1 2006 one skein 30 quick projects to knit or crochet leigh radford gayle ford john mulligan on amazon com free

shipping on qualifying offers one skein 30 quick projects to knit or crochet

*one more skein 30 quick projects to knit english* - Apr 11 2023

web the author of one skein wonders taps into the expertise of knitting designers across the country to present an all new compendium of 101 enchanting projects organized according to yarn weight for knitters of all skill levels featuring an array of hats scarves bags shawls and many other fashion and

*one more skein 30 quick projects to knit barnes noble* - Mar 10 2023

web sep 1 2009 overview two needles and one or one more skein of yarn the possibilities never cease to amaze me writes leigh radford in the introduction to her new book

*patterns one more skein 30 quick projects to knit ravelry* - Sep 16 2023

web one more skein 30 quick projects to knit by leigh radford paperback published in september 2009 stewart tabori and

chang albers stash blanket by leigh radford 112 baby legwarmers

*one more skein 30 quick projects to knit google books* - Nov 06 2022

web projects include an earflap hat sized for the whole family fingerless mitts sweaters britches and capelets for baby hemp jewelry embellished with jump ring beads a felted pleated sleeve to dress up a vase and a multicolored blanket

**one more skein 30 quick projects to knit kindle edition** - Oct 05 2022

web one more skein 30 quick projects to knit kindle edition by leigh radford author john mulligan photographer format kindle edition english sticky notes on kindle scribe publisher stc craft publication date sept 13 2011 reading age 13 years and up grade level 8 and up file size 16306 kb

*one more skein 30 quick projects to knit amazon com* - Oct 17 2023

web sep 1 2009 one more skein 30 quick projects to knit radford leigh mulligan john on amazon com free shipping on qualifying offers one more skein 30 quick projects to knit

*one skein knitting projects curious com* - Mar 30 2022

web these one skein knitting projects are beginner friendly and are great uses for leftover yarn from other projects stay warm and stylish with a bulky cowl a cable knit headband a mug cozy and more carrie knits demonstrates how to work each knitting pattern from start to finish so even beginners can achieve great results

**one more skein 30 quick projects to knit amazon singapore** - Aug 15 2023

web one more skein 30 quick projects to knit radford leigh mulligan john amazon sg books

*one more skein 30 quick projects to knit google play* - Feb 09 2023

web download for offline reading highlight bookmark or take notes while you read one more skein 30 quick projects to knit one more skein 30 quick projects to knit ebook written by leigh radford read this book using google play

[one more skein 30 quick projects to knit by leigh radford](#) - Jun 01 2022

web click to read more about one more skein 30 quick projects to knit by leigh radford librarything is a cataloging and social networking site for booklovers all about one more skein 30 quick projects to knit by leigh radford

**one more skein 30 quick projects to knit google books** - Jan 08 2023

web the author of alterknits felt shows knitters how to turn a little yarn into fun projects and gifts including baby clothes bags and household items two needles and one or one more skein of yarn the possibilities never cease to amaze me writes leigh radford in the introduction to her new book

*editions of one more skein 30 quick projects to knit by* - Dec 07 2022

web jan 1 2017 editions for one more skein 30 quick projects to knit kindle edition 1584798025 paperback published in 2009 1453220828 ebook published in 2011

**one more skein 30 quick projects to knit preview** - Apr 30 2022

web may 27 2009 two needles and one or one more skein of yarn the possibilities never cease to amaze me writes leigh radford in the introduction to her new book radford s fascination with the