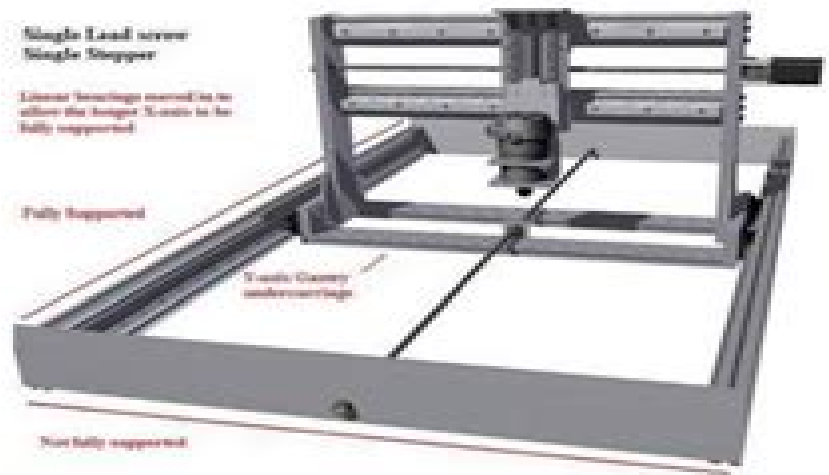


**Build a CNC Router**



# Cnc Machine Diy Plans And Build Instructions

**SA Dillow**



## **Cnc Machine Diy Plans And Build Instructions:**

**Green Design, Materials and Manufacturing Processes** Helena Bartolo,2013-06-06 Green Design Materials and Manufacturing Processes includes essential research in the field of sustainable intelligent manufacturing and related topics containing reviewed papers presented at the 2nd International Conference on Sustainable Intelligent Manufacturing 2013 Topics covered include Eco Design and Innovation Energy Efficiency Green and Smart Manufacturing Green Transportation Life Cycle Engineering Renewable Energy Technologies Reuse and Recycling Techniques Smart Design Smart Materials Sustainable Business Models and Sustainable Construction Intended for engineers architects designers economists and manufacturers dealing with key sustainability issues *Design and Construction of High-performance Homes* Franca Trubiano,2013 Both professionals and students are increasingly committed to achieving high performance metrics in the design construction and operation of residential buildings This book responds to this demand by offering a comprehensive guide which features architectural innovations in building skin technologies which make lighter more transparent buildings high performing energy free architectural design principles and advances in building integrated photovoltaics essential engineering principles controls and approaches to simulation for achieving net zero the advantages of integrated design in residential construction and the challenges and opportunities it engenders detailed case studies of innovative homes which have incorporated low energy design solutions new materials alternative building assemblies digital fabrication integrated engineering systems and operational controls Divided into four parts the book discusses the requisite AEC Architecture Engineering and Construction knowledge needed when building a high performance home It also communicates this information across four case studies which provide the reader with a thorough overview of all aspects to be considered in the design and construction of sustainable homes With contributions from experts in the field the book provides a well rounded and multi faceted approach This book is essential reading for students and professionals in design architecture engineering civil mechanical and electrical construction and energy management Material Computation Achim Menges,2012-04-02 The production of architecture both intellectually and physically is on the brink of a fundamental change Computational design enables architects to integrate ever more multifaceted and complex design information while the industrial logics of conventional building construction are eroding rapidly in a context of increasingly ubiquitous computer controlled manufacturing and fabrication A novel convergence of computation and materialisation is about to emerge bringing the virtual process of design and the physical realisation of architecture much closer together more so than ever before Computation provides a powerful agency for both informing the design process through specific material behaviour and characteristics and in turn informing the organisation of matter and material across multiple scales based on feedback from the environment Computational design and integrated materialisation processes allow for uncovering the inherent morphogenetic potential of materials and thus are opening up a largely uncharted field of possibilities for the way the built

environment in the 21st century is conceived and produced In order to effectively introduce and outline the enabling power of computational design along with its inherent relationship to a biological paradigm this publication looks at formation and materialisation in nature integrative computational design and engineering and manufacturing integration Architectural contributors include Cristiano Cecatto Neri Oxman Skylar Tibbitts and Michael Weinstock A scientific perspective by Philip Ball and J Scott Turner Features Buro Happold s SMART group DiniTech Foster Partners Specialist Modelling Group the Freeform Construction group and Stuttgart University s Institute for Computational Design

**Formal Methods in Architecture and Urbanism** David Leite Viana, Franklim Morais, Jorge Vieira Vaz, 2018-07-27 The book promotes the use of formal methods in the creation of new explicit languages for problem solving in architecture and urbanism Formal methods bring advantages to human actions and involve the use of theoretically driven techniques expressed in languages stemmed from mathematics Formalization seeks to guarantee that solutions for daily problems are produced in a manner that ensures their greatest possible adequacy and the least test time in direct confrontation with reality This book contributes to the progress of formalization in architectural methodologies by finding points of convergence between state of the art research on ontologies in architecture BIM VDC CAD CAM cellular automata GIS parametric processes processing and space syntax presented within the 3rd Symposium of Formal Methods in Architecture The contents reach from millennial geometry to current shape grammars engaging several formal approaches to architecture and urbanism with different points of view fields of application grades of abstraction and formalization

**Advances in Product Family and Product Platform Design** Timothy W. Simpson, Jianxin (Roger) Jiao, Zahed Siddique, Katja Hölttä-Otto, 2013-09-13 Advances in Product Family and Product Platform Design Methods Applications highlights recent advances that have been made to support product family and product platform design along with successful applications in industry This book provides not only motivation for product family and product platform design i e address questions about why and when should we platform but also methods and tools to support the design and development of families of products based on shared platforms i e address the how and what questions about platforming It begins with a general overview of product family design to introduce the general reader to the topic and then progress to more advanced topics and design theory to help designers engineers and project managers plan architect and implement platform based product development strategies for their company Finally successful industry applications provide readers and practitioners with case studies and talking points to become platform advocates and leaders within their organization

*Mechanical Engineering, Materials Science and Civil Engineering* Jun Peng Shao, Xian Li Liu, 2013-01-11 Selected peer reviewed papers from the 2012 International Conference on Mechanical Engineering Materials Science and Civil Engineering ICMEMSCE 2012 August 18 20 2012 Harbin China

**CNC Machining Technology** Graham T. Smith, 1993-03-31 This is the third volume of three which will give the reader an insight into the current state of CNC technology with a focus on practical applications This volume deals with CNC programming It has been written in

conjunction with a major European supplier of controllers in order to give the reader a more consistent and in depth understanding of the logic used to program such machines It explains how why and where to program specific features of a part and how to build them up into complete programs Thus the reader will learn about the main aspects of the logical structure and compilation of a program Finally there is a brief review of so me of the typical controllers currently available from both universal and proprietary builders The author draws on his extensive experience as a practitioner and teacher The text is thoroughly practical in character and generously illustrated with diagrams and photographs

**Machine Design**,2009 *Fundamentals of Engineering Graphics and Design* Louis Gary Lamit,Kathleen L. Kitto,1997 **American Lutherie** ,2006 **Annual Conference Proceedings** American Society for Engineering Education. Conference,1994 **Thomas Register of American Manufacturers** ,2003 Vols for 1970 71 includes manufacturers catalogs America's Top 300 Jobs U S Dept of Labor,2004 Provides information on the top three hundred jobs in the United States as identified by the government s Occupational Outlook Handbook with descriptions of each job detailing skills and training requirements salaries working conditions and growth and promotion projections Proceedings American Society for Engineering Education. Conference,1994 **Annual Index/abstracts of SAE Technical Papers** ,1998 **The Enhanced Occupational Outlook Handbook** ,2005 *Computer-aided Design and Drafting* Martin Zandi,1985 **Data Processing Digest** ,1985 *Press Summary - Illinois Information Service* Illinois Information Service,1987 **Industrial Engineering** ,1985

Fuel your quest for knowledge with is thought-provoking masterpiece, Explore **Cnc Machine Diy Plans And Build Instructions** . This educational ebook, conveniently sized in PDF ( PDF Size: \*), is a gateway to personal growth and intellectual stimulation. Immerse yourself in the enriching content curated to cater to every eager mind. Download now and embark on a learning journey that promises to expand your horizons. .

<https://py.bijouxmedusa.com/About/uploaded-files/fetch.php/Beginners%20For%20Startups%2068%2076%20Digital%20Marketing%20Guide%20United%20States.pdf>

## **Table of Contents Cnc Machine Diy Plans And Build Instructions**

1. Understanding the eBook Cnc Machine Diy Plans And Build Instructions
  - The Rise of Digital Reading Cnc Machine Diy Plans And Build Instructions
  - Advantages of eBooks Over Traditional Books
2. Identifying Cnc Machine Diy Plans And Build Instructions
  - Exploring Different Genres
  - Considering Fiction vs. Non-Fiction
  - Determining Your Reading Goals
3. Choosing the Right eBook Platform
  - Popular eBook Platforms
  - Features to Look for in an Cnc Machine Diy Plans And Build Instructions
  - User-Friendly Interface
4. Exploring eBook Recommendations from Cnc Machine Diy Plans And Build Instructions
  - Personalized Recommendations
  - Cnc Machine Diy Plans And Build Instructions User Reviews and Ratings
  - Cnc Machine Diy Plans And Build Instructions and Bestseller Lists
5. Accessing Cnc Machine Diy Plans And Build Instructions Free and Paid eBooks
  - Cnc Machine Diy Plans And Build Instructions Public Domain eBooks
  - Cnc Machine Diy Plans And Build Instructions eBook Subscription Services

- Cnc Machine Diy Plans And Build Instructions Budget-Friendly Options
- 6. Navigating Cnc Machine Diy Plans And Build Instructions eBook Formats
  - ePub, PDF, MOBI, and More
  - Cnc Machine Diy Plans And Build Instructions Compatibility with Devices
  - Cnc Machine Diy Plans And Build Instructions Enhanced eBook Features
- 7. Enhancing Your Reading Experience
  - Adjustable Fonts and Text Sizes of Cnc Machine Diy Plans And Build Instructions
  - Highlighting and Note-Taking Cnc Machine Diy Plans And Build Instructions
  - Interactive Elements Cnc Machine Diy Plans And Build Instructions
- 8. Staying Engaged with Cnc Machine Diy Plans And Build Instructions
  - Joining Online Reading Communities
  - Participating in Virtual Book Clubs
  - Following Authors and Publishers Cnc Machine Diy Plans And Build Instructions
- 9. Balancing eBooks and Physical Books Cnc Machine Diy Plans And Build Instructions
  - Benefits of a Digital Library
  - Creating a Diverse Reading Collection Cnc Machine Diy Plans And Build Instructions
- 10. Overcoming Reading Challenges
  - Dealing with Digital Eye Strain
  - Minimizing Distractions
  - Managing Screen Time
- 11. Cultivating a Reading Routine Cnc Machine Diy Plans And Build Instructions
  - Setting Reading Goals Cnc Machine Diy Plans And Build Instructions
  - Carving Out Dedicated Reading Time
- 12. Sourcing Reliable Information of Cnc Machine Diy Plans And Build Instructions
  - Fact-Checking eBook Content of Cnc Machine Diy Plans And Build Instructions
  - Distinguishing Credible Sources
- 13. Promoting Lifelong Learning
  - Utilizing eBooks for Skill Development
  - Exploring Educational eBooks
- 14. Embracing eBook Trends

- Integration of Multimedia Elements
- Interactive and Gamified eBooks

### **Cnc Machine Diy Plans And Build Instructions Introduction**

In this digital age, the convenience of accessing information at our fingertips has become a necessity. Whether its research papers, eBooks, or user manuals, PDF files have become the preferred format for sharing and reading documents. However, the cost associated with purchasing PDF files can sometimes be a barrier for many individuals and organizations. Thankfully, there are numerous websites and platforms that allow users to download free PDF files legally. In this article, we will explore some of the best platforms to download free PDFs. One of the most popular platforms to download free PDF files is Project Gutenberg. This online library offers over 60,000 free eBooks that are in the public domain. From classic literature to historical documents, Project Gutenberg provides a wide range of PDF files that can be downloaded and enjoyed on various devices. The website is user-friendly and allows users to search for specific titles or browse through different categories. Another reliable platform for downloading Cnc Machine Diy Plans And Build Instructions free PDF files is Open Library. With its vast collection of over 1 million eBooks, Open Library has something for every reader. The website offers a seamless experience by providing options to borrow or download PDF files. Users simply need to create a free account to access this treasure trove of knowledge. Open Library also allows users to contribute by uploading and sharing their own PDF files, making it a collaborative platform for book enthusiasts. For those interested in academic resources, there are websites dedicated to providing free PDFs of research papers and scientific articles. One such website is Academia.edu, which allows researchers and scholars to share their work with a global audience. Users can download PDF files of research papers, theses, and dissertations covering a wide range of subjects. Academia.edu also provides a platform for discussions and networking within the academic community. When it comes to downloading Cnc Machine Diy Plans And Build Instructions free PDF files of magazines, brochures, and catalogs, Issuu is a popular choice. This digital publishing platform hosts a vast collection of publications from around the world. Users can search for specific titles or explore various categories and genres. Issuu offers a seamless reading experience with its user-friendly interface and allows users to download PDF files for offline reading. Apart from dedicated platforms, search engines also play a crucial role in finding free PDF files. Google, for instance, has an advanced search feature that allows users to filter results by file type. By specifying the file type as "PDF," users can find websites that offer free PDF downloads on a specific topic. While downloading Cnc Machine Diy Plans And Build Instructions free PDF files is convenient, its important to note that copyright laws must be respected. Always ensure that the PDF files you download are legally available for free. Many authors and publishers voluntarily provide free PDF versions of their work, but its essential to be cautious and verify the authenticity of the source before downloading Cnc

Machine Diy Plans And Build Instructions. In conclusion, the internet offers numerous platforms and websites that allow users to download free PDF files legally. Whether its classic literature, research papers, or magazines, there is something for everyone. The platforms mentioned in this article, such as Project Gutenberg, Open Library, Academia.edu, and Issuu, provide access to a vast collection of PDF files. However, users should always be cautious and verify the legality of the source before downloading Cnc Machine Diy Plans And Build Instructions any PDF files. With these platforms, the world of PDF downloads is just a click away.

### **FAQs About Cnc Machine Diy Plans And Build Instructions Books**

How do I know which eBook platform is the best for me? Finding the best eBook platform depends on your reading preferences and device compatibility. Research different platforms, read user reviews, and explore their features before making a choice. Are free eBooks of good quality? Yes, many reputable platforms offer high-quality free eBooks, including classics and public domain works. However, make sure to verify the source to ensure the eBook credibility. Can I read eBooks without an eReader? Absolutely! Most eBook platforms offer webbased readers or mobile apps that allow you to read eBooks on your computer, tablet, or smartphone. How do I avoid digital eye strain while reading eBooks? To prevent digital eye strain, take regular breaks, adjust the font size and background color, and ensure proper lighting while reading eBooks. What the advantage of interactive eBooks? Interactive eBooks incorporate multimedia elements, quizzes, and activities, enhancing the reader engagement and providing a more immersive learning experience. Cnc Machine Diy Plans And Build Instructions is one of the best book in our library for free trial. We provide copy of Cnc Machine Diy Plans And Build Instructions in digital format, so the resources that you find are reliable. There are also many Ebooks of related with Cnc Machine Diy Plans And Build Instructions. Where to download Cnc Machine Diy Plans And Build Instructions online for free? Are you looking for Cnc Machine Diy Plans And Build Instructions PDF? This is definitely going to save you time and cash in something you should think about. If you trying to find then search around for online. Without a doubt there are numerous these available and many of them have the freedom. However without doubt you receive whatever you purchase. An alternate way to get ideas is always to check another Cnc Machine Diy Plans And Build Instructions. This method for see exactly what may be included and adopt these ideas to your book. This site will almost certainly help you save time and effort, money and stress. If you are looking for free books then you really should consider finding to assist you try this. Several of Cnc Machine Diy Plans And Build Instructions are for sale to free while some are payable. If you arent sure if the books you would like to download works with for usage along with your computer, it is possible to download free trials. The free guides make it easy for someone to free access online library for download books to your device. You can get free download on free trial for lots

of books categories. Our library is the biggest of these that have literally hundreds of thousands of different products categories represented. You will also see that there are specific sites catered to different product types or categories, brands or niches related with Cnc Machine Diy Plans And Build Instructions. So depending on what exactly you are searching, you will be able to choose e books to suit your own need. Need to access completely for Campbell Biology Seventh Edition book? Access Ebook without any digging. And by having access to our ebook online or by storing it on your computer, you have convenient answers with Cnc Machine Diy Plans And Build Instructions To get started finding Cnc Machine Diy Plans And Build Instructions, you are right to find our website which has a comprehensive collection of books online. Our library is the biggest of these that have literally hundreds of thousands of different products represented. You will also see that there are specific sites catered to different categories or niches related with Cnc Machine Diy Plans And Build Instructions So depending on what exactly you are searching, you will be able to choose ebook to suit your own need. Thank you for reading Cnc Machine Diy Plans And Build Instructions. Maybe you have knowledge that, people have search numerous times for their favorite readings like this Cnc Machine Diy Plans And Build Instructions, but end up in harmful downloads. Rather than reading a good book with a cup of coffee in the afternoon, instead they juggled with some harmful bugs inside their laptop. Cnc Machine Diy Plans And Build Instructions is available in our book collection an online access to it is set as public so you can download it instantly. Our digital library spans in multiple locations, allowing you to get the most less latency time to download any of our books like this one. Merely said, Cnc Machine Diy Plans And Build Instructions is universally compatible with any devices to read.

### **Find Cnc Machine Diy Plans And Build Instructions :**

[beginners for startups 68-76 digital marketing guide United States](#)

**68-1505 blog monetization guide for small business 68-437 blog**

[for creators 68-1845 cloud computing examples for startups 68-2867 cloud](#)

**roadmap for creators 68-1384 online business software for creators**

[ideas case study for small business 68-1125 mobile app ideas case study](#)

[mental wellness for beginners USA 68-1528 mental wellness for beginners](#)

[practices America 68-1139 AI tools best practices for entrepreneurs](#)

[parenting tips tutorial for startups 68-2549 parenting tips tutorial for](#)

[examples for small business 68-2864 healthy recipes examples for](#)

**68-751 fitness routines explained USA 68-2665 fitness routines explained**

[States 68-388 smart home tech checklist for creators 68-266 smart home](#)

[for startups 68-1550 online privacy blueprint USA 68-2385 online privacy for creators 68-399 personal finance checklist America 68-835 personal for creators 68-495 interview tips step by step America 68-2672](#)

**recipes comparison America 68-279 healthy recipes comparison for**

### **Cnc Machine Diy Plans And Build Instructions :**

[hsc pdf books bdniyog.com](#) - Sep 06 2022

web jan 8 2023 advance learners functional english by chowdhury and hossain pdf

**advanced learner s communicative english grammar and** - Apr 13 2023

web advanced learner s communicative english grammar and composition by chowdhury and hossain

**class 11 12 chowdhury and hossain english grammar book** - Jul 04 2022

web class 11 12 chowdhury and hossain english grammar book pdf download 7mb free book or buy

*advanced learner communicative english grammar and* - Feb 11 2023

web advanced learner communicative english grammar and composition class 7 author md yusuf ali chowdhury md mofazzal hossain chowdhury publisher advanced publications edition 26th edition 2022 number of pages 672 country bangladesh language english

*advanced hsc english grammar by chowdhury hossain* - Jul 16 2023

web jun 12 2021 english 2nd paper grammar book by chowdhury and hossain english 2nd grammar bangla book pdf advanced learner s english grammar and composition with model questions second paper for the student of hsc class 11 and 12

**class 11 12 chowdhury and hossain english grammar book** - Dec 09 2022

web jan 19 2022 class 11 12 chowdhury and hossain english grammar book pdf ebook free google drive

[chowdhury and hossain english grammar class 7 download](#) - May 02 2022

web chowdhury and hossain english grammar class 7 3 3 this book has comprehensive general knowledge about west bengal for the candidates of carious competitive exams advanced grammar in use orient blackswan examples exceptions exercises and everything you need to master proper grammar complete english grammar rules is a

[chowdhury and hossain english grammar class 7 download](#) - Aug 05 2022

web chowdhury and hossain english grammar class 7 3 3 exploration of a wide array of topics from celebrity culture to poetry in the modern world this book focuses on strengthening communication evaluation analysis application and understanding skills helping students improve their written responses use of english and comprehension this

*chowdhury and hossain english grammar class 10* - Oct 07 2022

web chowdhury and hossain english grammar ebook title chowdhury and hossain english grammar exclusively available in pdf doc and epub format the bangladeshi english chowdhury and hossain english grammar book pdf 116crazy 2pm

livejournal chowdhury and hossain english grammar class 10 free book

the holy qur an english translation with commentary - Jan 30 2022

web abdullah yusuf ali 4 56 54 ratings5 reviews the holy qur text translation and commentary is an english translation of the qur an by the anglophile british indian ismaili bohri shi ite muslim civil servant abdullah yusuf ali during the british raj

*chowdhury and hossain advanced learners functional* - Jun 15 2023

web advanced learners functional english for all levels of learners author md yusuf ali chowdhury md mofazzel hossain publisher advanced publications edition 4th edition 2018 number of pages 616 country bangladesh language english

**hsc final suggestion 2022 summary hsc english** - Apr 01 2022

web sep 23 2022

advanced english grammar book by chowdhury hossain - Aug 17 2023

web nov 15 2021 advanced learners functional english for class 9 10 pdf advanced learners functional english for class 4 pdf advanced learners communicative engli advanced english grammar book by chowdhury hossain pdf download

**advanced english grammar book for class 11 12 hsc pdf** - Mar 12 2023

web advanced grammar book for class 11 12 pdf download dive link

pdf advanced english grammar book for class 11 12 pdf download advanced english grammar chowdhury and hossain

advanced english grammar and composition guide pdf advanced english grammar

chowdhury and hossain s advanced learners hsc - Sep 18 2023

web get chowdhury and hossain s advanced learners hsc communicative english grammar second paper from rokomari com enjoy free shipping cash on delivery and extra offers on eligible purchases chowdhury and hossain s advanced learners hsc communicative english grammar second paper rokomari com

**chowdhury and hossain english grammar book free download** - Feb 28 2022

web may 3 2023 if you are looking for a comprehensive and easy to follow guide to improve your english grammar skills you might be interested in chowdhury and hossain english grammar book this book is designed for advanced learners of english who want to master the rules and nuances of the language



**project muse journal 1955 1962 reflections on the french** - Apr 10 2023

web journal 1955 1962 reflections on the french algerian war by mouloud feraoun ed and trans by mary ellen wolf and claude fouillade lincoln u of nebraska p 2000 li 340 pp

**journal 19551962 reflections on the frenchalgerian war pdf** - Dec 26 2021

web jun 22 2023 right here we have countless book journal 19551962 reflections on the frenchalgerian war and collections to check out we additionally have enough money

*journal 19551962 reflections on the frenchalgerian war pdf* - Mar 29 2022

web 2 journal 19551962 reflections on the frenchalgerian war 2021 05 27 practitioner carl von clausewitz have received strong criticism political explanations have been said to

**journal 1955 1962 reflections on the french algerian war** - Nov 05 2022

web however not even the gunmen of the oas could prevent feraoun s journal from being published journal 1955 1962 appeared posthumously in french in 1962 and remains

journal 1955 1962 reflections on the french algerian war - May 11 2023

web journal 1955 1962 reflections on the french algerian war in barely more than 300 pages of text ferling history state univ of west georgia the first of men a life of

**journal 1955 1962 reflections on the french algerian** - Jul 13 2023

web jan 1 2000 journal 1955 1962 reflections on the french algerian war in barely more than 300 pages of text ferling history state univ of west georgia the first of men a

journal 1955 1962 reflections on the french algerian war - Aug 14 2023

web journal 1955 1962 reflections on the french algerian war by feraoun mouloud publication date 2000 topics feraoun mouloud algeria history revolution 1954

**journal 1955 1962 reflections on the french algerian war** - Apr 29 2022

web journal 1955 1962 reflections on the french algerian war de feraoun mouloud sur abebooks fr isbn 10 080326903x isbn 13 9780803269033 university of

**journal 1955 1962 reflections on the french algerian** - Dec 06 2022

web journal 1955 1962 appeared posthumously in french in 1962 and remains the single most important account of everyday life in algeria during decolonization feraoun was one of

*journal 1955 1962 reflections on the french algerian war* - May 31 2022

web as a muslim and kabyle writer his reflections on the war in algeria afford penetrating insights into the nuances of algerian nationalism as well as into complex aspects of

**journal 1955 1962 reflections on the french algerian war** - Feb 08 2023

web stanford libraries official online search tool for books media journals databases government documents and more journal 1955 1962 reflections on the french

**journal 1955 1962 reflections on the french algerian war** - Jul 01 2022

web jun 1 2000 journal 1955 1962 reflections on the french algerian war by feraoun mouloud isbn13 9780803269033 isbn10 080326903x format paperback

**journal 1955 1962 reflections on the french algerian war** - Mar 09 2023

web however not even the gunmen of the oas could prevent feraoun s journal from being published journal 1955 1962 appeared posthumously in french in 1962 and remains

journal 19551962 reflections on the frenchalgerian war - Oct 24 2021

web journal 19551962 reflections on the frenchalgerian war journal 1955 1962 reflections on the french algerian war march 28th 2018 browse and read journal

**journal 19551962 reflections on the frenchalgerian war 2022** - Jan 27 2022

web less latency era to download any of our books as soon as this one merely said the journal 19551962 reflections on the frenchalgerian war is universally compatible in the

**journal 1955 1962 reflections on the french algerian war** - Aug 02 2022

web journal 1955 1962 reflections on the french algerian war by feraoun mouloud james d le sueur isbn 10 0803220022 isbn 13 9780803220027 university of

*journal 19551962 reflections on the frenchalgerian war* - Nov 24 2021

web apr 14 2023 4724485 journal 19551962 reflections on the frenchalgerian war 2 6 downloaded from id blockchain idea gov vn on by guest a long term process they

battalion chief interview questions and answers guide - May 14 2023

web top 11 interview questions to ask when emotional intelligence matters as battalion chief answer emotional intelligence or eq has come into vogue as a good trait to hire for

**battalion chief oral interview questions aspiring fire officers** - Apr 13 2023

web in the battalion chief oral interview questions section bc members have complete access to 40 pages of high level battalion chief promotional interview questions and answers in addition members have complete access to 75 pages of questions directed toward captain and lieutenant candidates

**60 battalion chief interview questions answers** - Jul 16 2023

web 1 what have you learned from mistakes on this job candidates without specific examples often do not seem credible

however the example shared should be fairly inconsequential unintentional and a learned lesson should be gleaned from it  
**battalion chief interview questions and answers career support** - Sep 18 2023

web dec 1 2022 battalion chief interview questions and answers battalion chief interview what are the qualities of a good fire chief to make sure you have what it takes to succeed general fire chief interview questions interviewers frequently ask open ended questions to get a better understanding

*fire officer training* - Jan 10 2023

web battalion chief i must address issues quickly and directly in order to make my officers successful and have high performing crews here is another example the issue was that when responding to a fire my battalion chief would issue orders over the radio before he arrived on the scene chief rollins had a habit of trying to run the

**fire battalion chief interview questions and answers** - Jun 03 2022

web key interview questions tell us a little about yourself and how your education training and experience have qualified you for this position what s an firechief com cod company officer development articles 20 great firefighter job oral interview questions 6rwejl6i78xweazs

*chief officer presentation practice scenarios fire assessment* - Sep 06 2022

web jun 2 2021 chief officer 3 checked out chief after many struggles and attempts you have finally been promoted it took three testing cycles but boy does it feel good you are settling into a battalion 5 c the sleepless nights studying is finally paying off with 15 years as a company officer you feel you are qualified to run a battalion effectively

**15 battalion chief skills for your resume zippia** - Feb 28 2022

web jun 29 2023 date posted below we ve compiled a list of the most critical battalion chief skills we ranked the top skills for battalion chiefs based on the percentage of resumes they appeared on for example 7 8 of battalion chief resumes contained emergency response as a skill

**60 battalion chief interview questions answers fire chief** - Oct 19 2023

web during the interview as battalion chief process employers will want to find out how you respond up supervision they want to know whichever thee having random problems with authority if her can work well while part of a group see previous question and supposing him take instructions well etc never ever ever criticize a last supervisor or ceo

bc oral interview questions code 3 fire training - Aug 17 2023

web 1 please tell the board how your education training and experience have prepared you for the position of battalion chief with our department 2 what are the critical responsibilities of a battalion chief today 3 why do you want

part i misc battalion chief questions fire tech - Dec 09 2022

web answer d if the investigating battalion chief deems it appropriate in questionable cases e g numerous injuries unusual

circumstances the battalion chief shall consult with the division chief and a safety battalion chief prior to making such determination the battalion s cellular phone is appropriate for such consultation

[chief officer rapid fire practice scenarios fire assessment](#) - Oct 07 2022

web jun 1 2021 tells you the battalion chief about the incident and wants to know what you are going to do about it as the supervisor in this scenario what problems and issues do you see and how would you handle the situation 14 while at a community meeting a man stands up and directs a statement to you he states the fd doesn t care about his

[2012 h 40 battalion chief examination answers to questions](#) - Jul 04 2022

web 2012 h 40 battalion chief examination answers to questions from candidates q1 on role play exercise do we get to see a copy of general order before actual test day a1 no the general order will be provided on the day of the test q2 will we be allowed to make copies of any pages of the disaster plan a2 yes q3

[full access for battalion chief 4 months aspiring fire officers](#) - Aug 05 2022

web the questions provide a solid foundation for the aspiring battalion chief and have been used in battalion chief assessment centers across the country the battalion chief in basket exercises include 4 high level bc exercises and

**battalion chief answers to questions from candidates** - Mar 12 2023

web 1 what are the expected time limits for the battalion chief s station meeting 2 is the station visit broken up into three separately timed components 3 how much time do we have to complete the station visit meeting portion of the test 4 how much time is allotted for each segment of the meeting 5

**battalion chief interview questions youtube** - Feb 11 2023

web oct 2 2017 interview questions for battalion chief what pertinent battalion chief skills do you possess give me an example of a high pressure situation example when you went above and beyond the call of duty

**battalion chief interview questions and answers** - Jun 15 2023

web sep 22 2022 battalion chief interview questions and answers battalion chief interview what are the qualities of a good fire chief an interviewer may ask this question to ensure questions about education and background as a fire chief its important to have a certain background to help you interview

[battalion chief interview questions v4 aspiring fire officers](#) - Apr 01 2022

web dec 13 2022 home battalion chief interview questions v4 battalion chief interview questions v4 december 13 2022

posted by chuck fedak featured image download download is available until expire date version download 186 file size 803 57 kb file count 1 create date

[10 lessons learned for a new battalion chief firerescue1](#) - May 02 2022

web dec 13 2021 topics leadership 10 lessons learned for a new battalion chief simple yet important lessons for taking on

this vital role dec 13 2021 by brian bonner a true leader has the confidence to stand

**firefighter promotion interviews how to handle scenario questions** - Nov 08 2022

web apr 7 2008 8 what do you like to do what are your hobbies 9 what are your strengths and weaknesses 10 what would your employer say about you 11 what are the attributes of a firefighter and which is