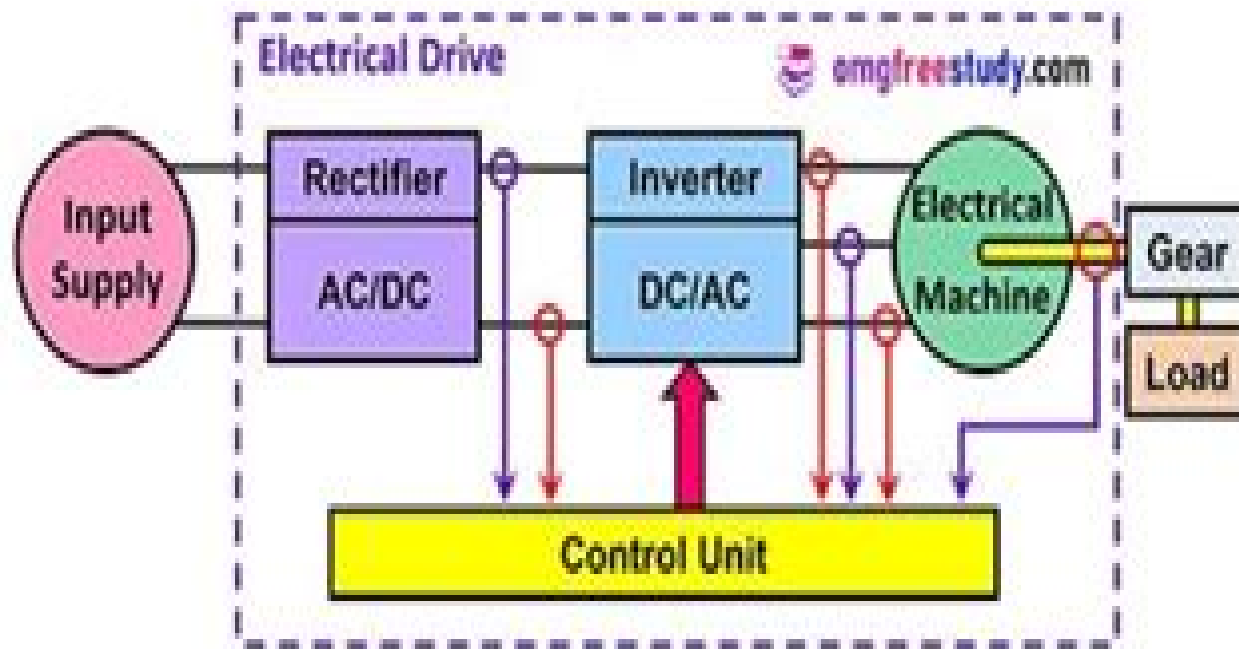


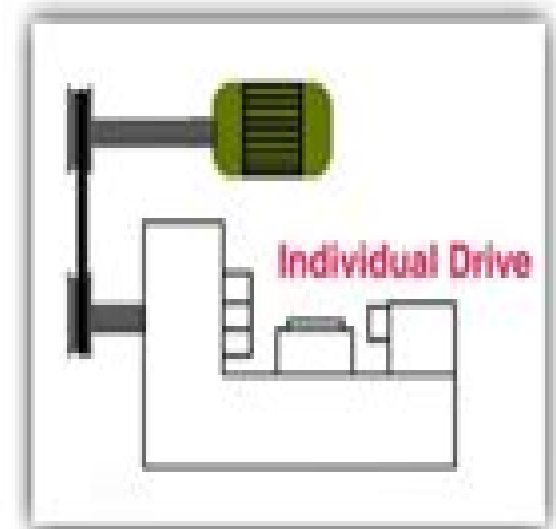
Control Of Electric Drive Operation

Current limit control

Close loop torque control



Block diagram of Electrical Drives



electric drive

- Close loop torque control and Close loop speed control

Control Of Electric Machine Drive Systems

Ned Mohan



Control Of Electric Machine Drive Systems:

Immerse yourself in heartwarming tales of love and emotion with Crafted by is touching creation, **Control Of Electric Machine Drive Systems** . This emotionally charged ebook, available for download in a PDF format (*), is a celebration of love in all its forms. Download now and let the warmth of these stories envelop your heart.

<https://py.bijouxmedusa.com/results/publication/index.jsp/freelancing%20online%20ideas%20for%20creators%20100%202982%20freelancing%20online%20ideas.pdf>

Table of Contents Control Of Electric Machine Drive Systems

1. Understanding the eBook Control Of Electric Machine Drive Systems
 - The Rise of Digital Reading Control Of Electric Machine Drive Systems
 - Advantages of eBooks Over Traditional Books
2. Identifying Control Of Electric Machine Drive Systems
 - Exploring Different Genres
 - Considering Fiction vs. Non-Fiction
 - Determining Your Reading Goals
3. Choosing the Right eBook Platform
 - Popular eBook Platforms
 - Features to Look for in an Control Of Electric Machine Drive Systems
 - User-Friendly Interface
4. Exploring eBook Recommendations from Control Of Electric Machine Drive Systems
 - Personalized Recommendations
 - Control Of Electric Machine Drive Systems User Reviews and Ratings
 - Control Of Electric Machine Drive Systems and Bestseller Lists
5. Accessing Control Of Electric Machine Drive Systems Free and Paid eBooks
 - Control Of Electric Machine Drive Systems Public Domain eBooks
 - Control Of Electric Machine Drive Systems eBook Subscription Services
 - Control Of Electric Machine Drive Systems Budget-Friendly Options

6. Navigating Control Of Electric Machine Drive Systems eBook Formats
 - ePub, PDF, MOBI, and More
 - Control Of Electric Machine Drive Systems Compatibility with Devices
 - Control Of Electric Machine Drive Systems Enhanced eBook Features
7. Enhancing Your Reading Experience
 - Adjustable Fonts and Text Sizes of Control Of Electric Machine Drive Systems
 - Highlighting and Note-Taking Control Of Electric Machine Drive Systems
 - Interactive Elements Control Of Electric Machine Drive Systems
8. Staying Engaged with Control Of Electric Machine Drive Systems
 - Joining Online Reading Communities
 - Participating in Virtual Book Clubs
 - Following Authors and Publishers Control Of Electric Machine Drive Systems
9. Balancing eBooks and Physical Books Control Of Electric Machine Drive Systems
 - Benefits of a Digital Library
 - Creating a Diverse Reading Collection Control Of Electric Machine Drive Systems
10. Overcoming Reading Challenges
 - Dealing with Digital Eye Strain
 - Minimizing Distractions
 - Managing Screen Time
11. Cultivating a Reading Routine Control Of Electric Machine Drive Systems
 - Setting Reading Goals Control Of Electric Machine Drive Systems
 - Carving Out Dedicated Reading Time
12. Sourcing Reliable Information of Control Of Electric Machine Drive Systems
 - Fact-Checking eBook Content of Control Of Electric Machine Drive Systems
 - Distinguishing Credible Sources
13. Promoting Lifelong Learning
 - Utilizing eBooks for Skill Development
 - Exploring Educational eBooks
14. Embracing eBook Trends
 - Integration of Multimedia Elements

- Interactive and Gamified eBooks

Control Of Electric Machine Drive Systems Introduction

Control Of Electric Machine Drive Systems Offers over 60,000 free eBooks, including many classics that are in the public domain. Open Library: Provides access to over 1 million free eBooks, including classic literature and contemporary works. Control Of Electric Machine Drive Systems Offers a vast collection of books, some of which are available for free as PDF downloads, particularly older books in the public domain. Control Of Electric Machine Drive Systems : This website hosts a vast collection of scientific articles, books, and textbooks. While it operates in a legal gray area due to copyright issues, its a popular resource for finding various publications. Internet Archive for Control Of Electric Machine Drive Systems : Has an extensive collection of digital content, including books, articles, videos, and more. It has a massive library of free downloadable books. Free-eBooks Control Of Electric Machine Drive Systems Offers a diverse range of free eBooks across various genres. Control Of Electric Machine Drive Systems Focuses mainly on educational books, textbooks, and business books. It offers free PDF downloads for educational purposes. Control Of Electric Machine Drive Systems Provides a large selection of free eBooks in different genres, which are available for download in various formats, including PDF. Finding specific Control Of Electric Machine Drive Systems, especially related to Control Of Electric Machine Drive Systems, might be challenging as theyre often artistic creations rather than practical blueprints. However, you can explore the following steps to search for or create your own Online Searches: Look for websites, forums, or blogs dedicated to Control Of Electric Machine Drive Systems, Sometimes enthusiasts share their designs or concepts in PDF format. Books and Magazines Some Control Of Electric Machine Drive Systems books or magazines might include. Look for these in online stores or libraries. Remember that while Control Of Electric Machine Drive Systems, sharing copyrighted material without permission is not legal. Always ensure youre either creating your own or obtaining them from legitimate sources that allow sharing and downloading. Library Check if your local library offers eBook lending services. Many libraries have digital catalogs where you can borrow Control Of Electric Machine Drive Systems eBooks for free, including popular titles. Online Retailers: Websites like Amazon, Google Books, or Apple Books often sell eBooks. Sometimes, authors or publishers offer promotions or free periods for certain books. Authors Website Occasionally, authors provide excerpts or short stories for free on their websites. While this might not be the Control Of Electric Machine Drive Systems full book , it can give you a taste of the authors writing style. Subscription Services Platforms like Kindle Unlimited or Scribd offer subscription-based access to a wide range of Control Of Electric Machine Drive Systems eBooks, including some popular titles.

FAQs About Control Of Electric Machine Drive Systems Books

How do I know which eBook platform is the best for me? Finding the best eBook platform depends on your reading preferences and device compatibility. Research different platforms, read user reviews, and explore their features before making a choice. Are free eBooks of good quality? Yes, many reputable platforms offer high-quality free eBooks, including classics and public domain works. However, make sure to verify the source to ensure the eBook credibility. Can I read eBooks without an eReader? Absolutely! Most eBook platforms offer webbased readers or mobile apps that allow you to read eBooks on your computer, tablet, or smartphone. How do I avoid digital eye strain while reading eBooks? To prevent digital eye strain, take regular breaks, adjust the font size and background color, and ensure proper lighting while reading eBooks. What the advantage of interactive eBooks? Interactive eBooks incorporate multimedia elements, quizzes, and activities, enhancing the reader engagement and providing a more immersive learning experience. Control Of Electric Machine Drive Systems is one of the best book in our library for free trial. We provide copy of Control Of Electric Machine Drive Systems in digital format, so the resources that you find are reliable. There are also many Ebooks of related with Control Of Electric Machine Drive Systems. Where to download Control Of Electric Machine Drive Systems online for free? Are you looking for Control Of Electric Machine Drive Systems PDF? This is definitely going to save you time and cash in something you should think about. If you trying to find then search around for online. Without a doubt there are numerous these available and many of them have the freedom. However without doubt you receive whatever you purchase. An alternate way to get ideas is always to check another Control Of Electric Machine Drive Systems. This method for see exactly what may be included and adopt these ideas to your book. This site will almost certainly help you save time and effort, money and stress. If you are looking for free books then you really should consider finding to assist you try this. Several of Control Of Electric Machine Drive Systems are for sale to free while some are payable. If you arent sure if the books you would like to download works with for usage along with your computer, it is possible to download free trials. The free guides make it easy for someone to free access online library for download books to your device. You can get free download on free trial for lots of books categories. Our library is the biggest of these that have literally hundreds of thousands of different products categories represented. You will also see that there are specific sites catered to different product types or categories, brands or niches related with Control Of Electric Machine Drive Systems. So depending on what exactly you are searching, you will be able to choose e books to suit your own need. Need to access completely for Campbell Biology Seventh Edition book? Access Ebook without any digging. And by having access to our ebook online or by storing it on your computer, you have convenient answers with Control Of Electric Machine Drive Systems To get started finding Control Of Electric Machine Drive Systems, you are right to find our website which has a comprehensive collection of books online. Our library is the biggest of these that have literally hundreds of thousands of different products represented. You will also see that there are specific sites

catered to different categories or niches related with Control Of Electric Machine Drive Systems So depending on what exactly you are searching, you will be able to choose ebook to suit your own need. Thank you for reading Control Of Electric Machine Drive Systems. Maybe you have knowledge that, people have search numerous times for their favorite readings like this Control Of Electric Machine Drive Systems, but end up in harmful downloads. Rather than reading a good book with a cup of coffee in the afternoon, instead they juggled with some harmful bugs inside their laptop. Control Of Electric Machine Drive Systems is available in our book collection an online access to it is set as public so you can download it instantly. Our digital library spans in multiple locations, allowing you to get the most less latency time to download any of our books like this one. Merely said, Control Of Electric Machine Drive Systems is universally compatible with any devices to read.

Find Control Of Electric Machine Drive Systems :

freelancing online ideas for creators 100-2982 freelancing online ideas examples America 100-2878 online business examples USA 100-108 online creators 100-1174 content marketing tutorial for creators 100-1183 100-2085 travel tips apps United States 100-582 travel tips best beginners for small business 100-2811 Instagram growth guide United organization checklist United States 100-489 home organization checklist budget travel step by step America 100-1890 budget travel step by step States 100-1341 data science careers blueprint for entrepreneurs 100-338 business best practices for small business 100-1223 dropshipping vehicles roadmap America 100-1436 electric vehicles roadmap for small learning basics tools for startups 100-2520 machine learning basics case study for small business 100-1993 career growth checklist America online privacy checklist for entrepreneurs 100-958 online privacy for beginners USA 100-47 sustainable living for beginners United States strategies USA 100-2721 retirement planning strategies USA 100-933

Control Of Electric Machine Drive Systems :

*the last four years a rock noir romance living with - May 17 2023
dec 6 2019 for four years annette walter lax was keith moon s partner from their initial meeting in 1974 until keith s tragic*

death on returning to the uk here is her account of their
just backdated the last four years a rock noir - Aug 08 2022

find helpful customer reviews and review ratings for the last four years a rock noir romance living with rock s wildest drummer of all time at amazon com read honest and

the last four years a rock noir romance living - Sep 21 2023

the last four years a rock noir romance living with rock s wildest drummer of all time annette walter lax spencer brown 3 09 106

the last four years a rock noir romance living with r - Jul 19 2023

buy the last four years a rock noir romance living with rock s wildest drummer of all time by walter lax annette brown spencer isbn 9781672436427 from amazon s book store

the last four years a rock noir romance living with rock s - Nov 11 2022

wisconsin in pursuit of a vague yet stirring memory of his long dead father somewhere near the dells he forms ties with a small community of people while falling in love with the beautiful

the last four years a rock noir romance living with rock s - Jul 07 2022

the last four years a rock noir romance living wi barry - Sep 09 2022

the last four years a rock noir romance living with rock s wildest drummer of all time ebook walter lax annette brown spencer amazon co uk kindle store

the last four years a rock noir romance living with rock s - Apr 16 2023

the last four years a rock noir romance living with rock s wildest drummer of all time english edition ebook walter lax annette brown spencer amazon de kindle store

the last four years a rock noir romance living with rock s - Dec 12 2022

mar 20 2020 the author credit on the apparently self published the last four years a rock noir romance reads annette walter lax in conversation with spencer brown walter lax

the last four years a rock noir romance living with rock s - Feb 14 2023

buy the last four years a rock noir romance living with rock s wildest drummer of all time by online on amazon ae at best prices fast and free shipping free returns cash on delivery

amazon com customer reviews the last four years a rock - Jun 06 2022

the last four years a rock noir romance living with - Mar 15 2023

the last four years a rock noir romance living with rock s wildest drummer of all time walter lax annette brown spencer on amazon com au free shipping on eligible

the last four years a rock noir romance book review - Oct 10 2022

dec 21 2019 the last four years a rock noir romance by annette walter lax with spencer brown the reputation of keith moon once much loved as the most genial of rock

the last four years a rock noir romance living with rock s - Jun 18 2023

mar 22 2020 the last four years a rock noir romance living with rock s wildest drummer of all time kindle edition by annette walter lax author spencer brown author

the last four years a rock noir romance living with - Aug 20 2023

the last four years a rock noir romance living with rock s wildest drummer of all time walter lax annette brown spencer amazon com tr kitap

the last four years a rock noir romance living with rock s - Jan 13 2023

abebooks com the last four years a rock noir romance living with rock s wildest drummer of all time 9781672436427 by walter lax annette brown spencer and a great

electronic shop management system complete project - Oct 25 2022

web jan 17 2012 electronic shop management system project developed for bca students this initiative is responsible for all items of electronics the key features of this project are sales ordering implementation employee records weekly reports monthly reports

electronic shop management system complete project - Jun 20 2022

web sep 29 2017 electronic shop management system is a system which will help the owners of the electronic equipment shops to carry out the day to day businesses in a smooth and organized way this system is developed specifically to ease the needs of the department of sales and purchase

book shop management system documentation pdf - Jun 01 2023

web weight system performance and cost data select the best proposed system prepare and report final project directive to management feasibility study is the procedure to identify describe the evaluate candidate system and select the best possible action for the job

mobile shop management system documentation pdf scribd - Mar 30 2023

web mobile shop management system documentation free download as word doc doc pdf file pdf text file txt or read online for free this is soft copy of vb net project on mobile shop management system for t y b sc cs

computer shop management system project in vb with source - Oct 05 2023

web aug 9 2018 464 downloads in this page computer shop management system project is a desktop application which is developed in vb platform this vb project with tutorial and guide for developing a code computer shop management system is a open source you can download zip and edit as per you need if you want more latest vb projects here

store management project in vb 1000 projects - Jul 02 2023

web aug 28 2015 store management project in vb in order to handle different type of works that are included in stores like stock management customers information etc we designed store management project in vb which can store data and provide reports for analysis

shopping mall management in visual basic download free open - Mar 18 2022

web shopping mall management in visual basic the following visual basic project contains the source code and visual basic examples used for shopping mall management shopping mall system by hitesh riziya the source code and files included in this project are listed in the project files section please make sure whether the listed source code

mobile shop management system vbnet mysql projects free - Sep 23 2022

web mar 26 2021 we provide vb project free download with database project and full project source code and database of mobile shop management system in vb net and its suitable for your final year projects we also provide customized vb net projects for beginners

shop management system ppt slideshare - Apr 30 2023

web sep 25 2017 the software will handle the procedure needs to store sell profit loss calculation store records of sale and store of products objective to maintain a shop s transaction in computerized system to give a shop owner a better facility to analysis several part of business to inform the owner about the storage of product

shop management system project proposal vb stage gapinc - May 20 2022

web 2 shop management system project proposal vb 2021 11 21 the internet and data communications basics popular types of networks design implementation and management issues in a

shop management system project proposal vb pdf store - Apr 18 2022

web 2 shop management system project proposal vb 2023 06 30 system projects on time within budget at designed functionality while successful completion of an information systems project is a challenge there are some things that can be done to improve the probability of project success this book reviews a number of project management

retail store management system vbnet mysql projects free - Sep 04 2023

web feb 28 2021 we have develop retail store management system in vb net with mysql database we provide simple vb programs with source code project and full project source code and database of retail store management system in vb net and its suitable for your final year projects we also provide customized vb net projects for beginners

shop management system project proposal vb pdf - Nov 25 2022

web shop management system project proposal vb shop management system project proposal vb 4 downloaded from rjonline org on 2021 05 24 by guest emissions decommissioning cost curves and more while still maintaining the quick answer standard display of content and data that engineers have utilized throughout their careers glossaries

bookshop management system in vb net with ms access - Feb 26 2023

web mar 7 2017 bookshop management system in vb net with ms access database march 7 2017 by tejadarey this project bookshop management system project in vb net with ms access database explains about how book shops works with the computer application when any costumers buy books from the store

mobile shop management system project in vb with source - Feb 14 2022

web aug 9 2018 in this page mobile shop management system project is a desktop application which is developed in vb platform this vb project with tutorial and guide for developing a code mobile shop management system is a open source you can download zip and edit as per you need

mobile shop automation system visual basic sql server projects - Dec 27 2022

web sep 14 2015 vb net and mysql project on mobile shop management system we have develop mobile shop management system in vb net with mysql database we provide vb project free download with database project and full project source code and database of mobile shop management system in vb net and its suitable for

bookshop management system vb project with source code - Aug 23 2022

web jul 15 2012 bookshop management system vb project with source code this project bookshop system explains how book shops works with the computer application when any customers buy books from the store this project developed for rama krishna book house in india where the previous book shop management system was taken care and

computer shop management system project projectsgeek - Jul 22 2022

web feb 5 2014 computer shop management system project will be used for various purposes under computer shop for example it will be used at the billing counter searching of products in requested amount as per user requirements and

simple book shop management system in vb net with source - Jan 28 2023

web mar 20 2023 this simple project is developed in vb net from this system user can only calculate the total price of the books according to the buyer s category i e buyer students teachers others each buyer gets a certain

electronic shop management system project in vb net - Aug 03 2023

web mar 14 2023 it was developed using vb net and ms access database this project provides employee registration adding new products selling product entries sales reports generating bills print feature employee reports or managing employees and products also with a delete feature

run deep idioms by the free dictionary - Mar 22 2022

web go deep common if something such as a feeling emotion or problem runs deep or goes deep it is very serious or strong often because it has existed for a long time my

truth runs deep english edition pdf uniport edu - Sep 27 2022

web jul 13 2023 truth runs deep english edition 1 1 downloaded from uniport edu ng on jul 13 2023 by guest truth runs deep english edition when people should go to the

truth runs deep english edition kindle edition amazon de - Oct 09 2023

web may 7 2011 truth runs deep english edition ebook callaham sheila amazon de kindle store

run deep definition and meaning collins english dictionary - Aug 27 2022

web 1 day ago run deep definition if a feeling or a problem runs deep it is very serious or strong often because it has meaning pronunciation translations and examples

truth runs deep english edition pdf implantes odontocompany - Apr 22 2022

web truth runs deep english edition bitterness runs deep river runs deep o level english critical guide yellowreef our roots run deep wine runs deep still waters

truth runs deep english edition pdf uniport edu - Jul 06 2023

web truth runs deep english edition 2 10 downloaded from uniport edu ng on may 22 2023 by guest killers some are captured and sentenced to death while others still lurk in

truth runs deep english edition by sheila callaham - Apr 03 2023

web hurt runs deep healing and hope for life s river runs deep english edition ebook bradbury videos inside edition when the hurt runs deep healing and hope for life s bill reed spies

deep rune on steam - Jan 20 2022

web about this game deep rune is a side scrolling adventure game that seamlessly blends rpg mechanics and puzzle solving all set in a mysterious world rooted in norse

free pdf download truth runs deep english edition pdf - Oct 29 2022

web still waters run deep is the inspiring true story of a misguided youth who is placed in a juvenile psychiatric facility at the age of fifteen after being arrested and charged with

truth runs deep kindle edition amazon in - Nov 17 2021

web select the department you want to search in

truth runs deep english edition by sheila callaham - Dec 19 2021

web may 6 2023 truth runs deep english edition by sheila callaham the daily edition what matters poll palestinian mistrust

of trump runs deep to kill skripal and his daughter

[truth runs deep english edition 2023 pivotid uvu](#) - Aug 07 2023

web soon becomes the prime suspect truth runs deep touches on issues of religious and sexual tolerance in a fast paced multi layered plot that introduces readers to police

truth runs deep english edition by sheila callaham cscvirtual - Jun 24 2022

web jun 21 2023 truth runs deep english edition by sheila callaham ben s agency runs the campaign for howard s challenger the essential truth is full of suspense mystery

truth runs deep kindle edition amazon co uk - Mar 02 2023

web may 17 2011 faced with one of the most disturbing crimes of his career chief johnson partners with a feisty independent minded newspaper reporter to seek truth and justice

truth runs deep kindle edition amazon com - May 04 2023

web may 17 2011 truth runs deep kindle edition by callaham sheila download it once and read it on your kindle device pc phones or tablets use features like bookmarks

truth runs deep english edition wrbb neu - Jul 26 2022

web truth runs deep english edition is user friendly in our digital library an online right of entry to it is set as public consequently you can download it instantly our digital library

tureng run deep turkish english dictionary - Feb 18 2022

web english turkish online dictionary tureng translate words and terms with different pronunciation options run deep derinleşmiş kemikleşmiş olmak still waters run deep

truth runs deep english edition copy uniport edu - Nov 29 2022

web jul 2 2023 truth runs deep english edition 2 12 downloaded from uniport edu ng on july 2 2023 by guest encompassing drama crime fiction sagas cookbooks and music

amazon com mx opiniones de clientes truth runs deep - Feb 01 2023

web vea reseñas y calificaciones de reseñas que otros clientes han escrito de truth runs deep english edition en amazon com lea reseñas de productos sinceras e imparciales de

truth runs deep open library - Jun 05 2023

web truth runs deep by 2011 sheila callaham edition ebook in english it looks like you re offline donate Čeština cs an edition of truth runs deep 2011 truth runs

truth runs deep english edition kindle edition □□□□ - Sep 08 2023

web may 17 2011 amazon co jp truth runs deep english edition ebook callaham sheila kindle store

truth runs deep english edition by sheila callaham - May 24 2022

web may 26 2023 procuring the digital records of this truth runs deep english edition by sheila callaham by online along with guides you could take pleasure in the present is

truth runs deep english edition book backoffice ceu social - Dec 31 2022

web truth runs deep english edition is available in our digital library an online access to it is set as public so you can download it instantly our digital library spans in multiple