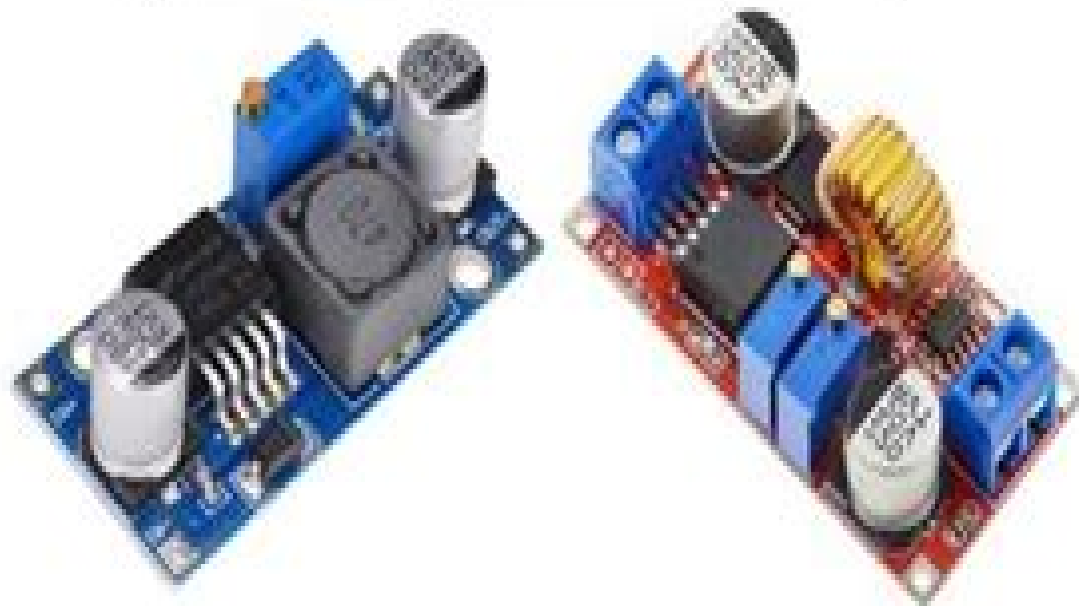
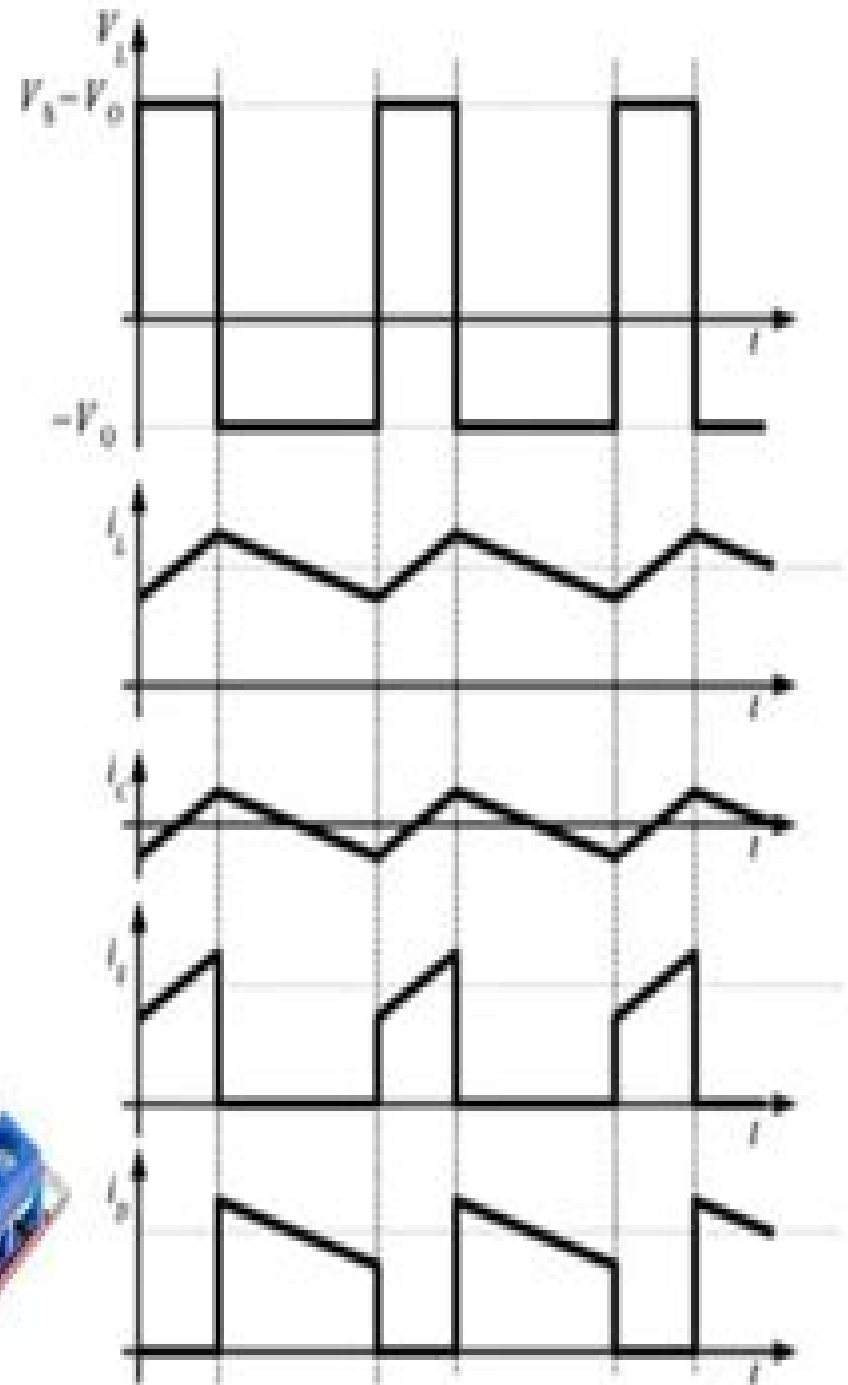
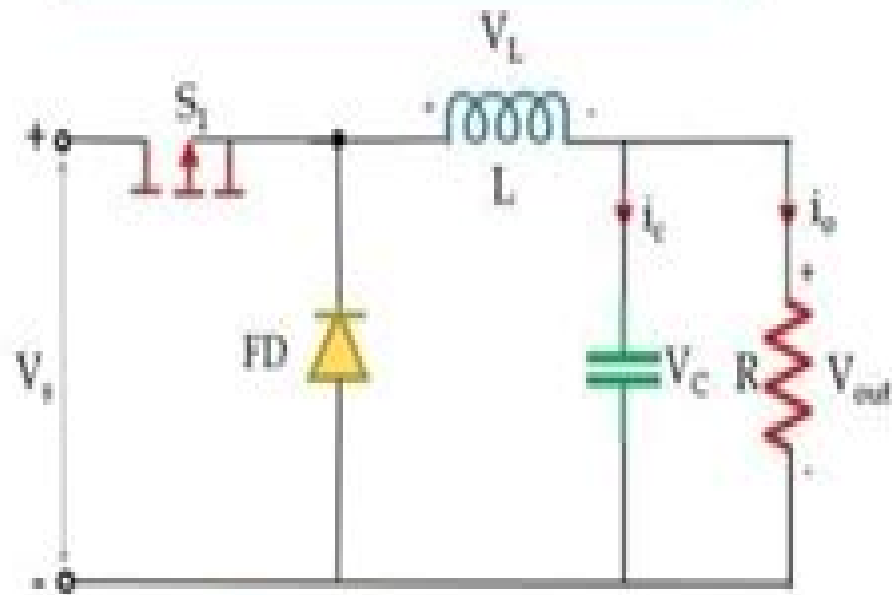


Buck Converter



Controller Design For Buck Converter Step By Step Approach

Tobias Bleicker



Controller Design For Buck Converter Step By Step Approach:

If you ally compulsion such a referred **Controller Design For Buck Converter Step By Step Approach** ebook that will meet the expense of you worth, get the extremely best seller from us currently from several preferred authors. If you want to droll books, lots of novels, tale, jokes, and more fictions collections are moreover launched, from best seller to one of the most current released.

You may not be perplexed to enjoy every books collections Controller Design For Buck Converter Step By Step Approach that we will unquestionably offer. It is not in relation to the costs. Its practically what you craving currently. This Controller Design For Buck Converter Step By Step Approach, as one of the most lively sellers here will unconditionally be in the middle of the best options to review.

https://py.bijouxmedusa.com/About/virtual-library/Download_PDFS/Strategies_United_States_25_1002_AI_Tools_Strategies_United_States.pdf

Table of Contents Controller Design For Buck Converter Step By Step Approach

1. Understanding the eBook Controller Design For Buck Converter Step By Step Approach
 - The Rise of Digital Reading Controller Design For Buck Converter Step By Step Approach
 - Advantages of eBooks Over Traditional Books
2. Identifying Controller Design For Buck Converter Step By Step Approach
 - Exploring Different Genres
 - Considering Fiction vs. Non-Fiction
 - Determining Your Reading Goals
3. Choosing the Right eBook Platform
 - Popular eBook Platforms
 - Features to Look for in an Controller Design For Buck Converter Step By Step Approach
 - User-Friendly Interface
4. Exploring eBook Recommendations from Controller Design For Buck Converter Step By Step Approach
 - Personalized Recommendations

- Controller Design For Buck Converter Step By Step Approach User Reviews and Ratings
- Controller Design For Buck Converter Step By Step Approach and Bestseller Lists
- 5. Accessing Controller Design For Buck Converter Step By Step Approach Free and Paid eBooks
 - Controller Design For Buck Converter Step By Step Approach Public Domain eBooks
 - Controller Design For Buck Converter Step By Step Approach eBook Subscription Services
 - Controller Design For Buck Converter Step By Step Approach Budget-Friendly Options
- 6. Navigating Controller Design For Buck Converter Step By Step Approach eBook Formats
 - ePub, PDF, MOBI, and More
 - Controller Design For Buck Converter Step By Step Approach Compatibility with Devices
 - Controller Design For Buck Converter Step By Step Approach Enhanced eBook Features
- 7. Enhancing Your Reading Experience
 - Adjustable Fonts and Text Sizes of Controller Design For Buck Converter Step By Step Approach
 - Highlighting and Note-Taking Controller Design For Buck Converter Step By Step Approach
 - Interactive Elements Controller Design For Buck Converter Step By Step Approach
- 8. Staying Engaged with Controller Design For Buck Converter Step By Step Approach
 - Joining Online Reading Communities
 - Participating in Virtual Book Clubs
 - Following Authors and Publishers Controller Design For Buck Converter Step By Step Approach
- 9. Balancing eBooks and Physical Books Controller Design For Buck Converter Step By Step Approach
 - Benefits of a Digital Library
 - Creating a Diverse Reading Collection Controller Design For Buck Converter Step By Step Approach
- 10. Overcoming Reading Challenges
 - Dealing with Digital Eye Strain
 - Minimizing Distractions
 - Managing Screen Time
- 11. Cultivating a Reading Routine Controller Design For Buck Converter Step By Step Approach
 - Setting Reading Goals Controller Design For Buck Converter Step By Step Approach
 - Carving Out Dedicated Reading Time
- 12. Sourcing Reliable Information of Controller Design For Buck Converter Step By Step Approach
 - Fact-Checking eBook Content of Controller Design For Buck Converter Step By Step Approach

- Distinguishing Credible Sources
13. Promoting Lifelong Learning
- Utilizing eBooks for Skill Development
 - Exploring Educational eBooks
14. Embracing eBook Trends
- Integration of Multimedia Elements
 - Interactive and Gamified eBooks

Controller Design For Buck Converter Step By Step Approach Introduction

Controller Design For Buck Converter Step By Step Approach Offers over 60,000 free eBooks, including many classics that are in the public domain. Open Library: Provides access to over 1 million free eBooks, including classic literature and contemporary works. Controller Design For Buck Converter Step By Step Approach Offers a vast collection of books, some of which are available for free as PDF downloads, particularly older books in the public domain. Controller Design For Buck Converter Step By Step Approach : This website hosts a vast collection of scientific articles, books, and textbooks. While it operates in a legal gray area due to copyright issues, its a popular resource for finding various publications. Internet Archive for Controller Design For Buck Converter Step By Step Approach : Has an extensive collection of digital content, including books, articles, videos, and more. It has a massive library of free downloadable books. Free-eBooks Controller Design For Buck Converter Step By Step Approach Offers a diverse range of free eBooks across various genres. Controller Design For Buck Converter Step By Step Approach Focuses mainly on educational books, textbooks, and business books. It offers free PDF downloads for educational purposes. Controller Design For Buck Converter Step By Step Approach Provides a large selection of free eBooks in different genres, which are available for download in various formats, including PDF. Finding specific Controller Design For Buck Converter Step By Step Approach, especially related to Controller Design For Buck Converter Step By Step Approach, might be challenging as theyre often artistic creations rather than practical blueprints. However, you can explore the following steps to search for or create your own Online Searches: Look for websites, forums, or blogs dedicated to Controller Design For Buck Converter Step By Step Approach, Sometimes enthusiasts share their designs or concepts in PDF format. Books and Magazines Some Controller Design For Buck Converter Step By Step Approach books or magazines might include. Look for these in online stores or libraries. Remember that while Controller Design For Buck Converter Step By Step Approach, sharing copyrighted material without permission is not legal. Always ensure youre either creating your own or obtaining them from legitimate sources that allow sharing and downloading. Library Check if your local library offers eBook lending services. Many libraries have digital catalogs where you can borrow Controller Design For Buck

Converter Step By Step Approach eBooks for free, including popular titles. Online Retailers: Websites like Amazon, Google Books, or Apple Books often sell eBooks. Sometimes, authors or publishers offer promotions or free periods for certain books. Authors Website Occasionally, authors provide excerpts or short stories for free on their websites. While this might not be the Controller Design For Buck Converter Step By Step Approach full book, it can give you a taste of the authors writing style. Subscription Services Platforms like Kindle Unlimited or Scribd offer subscription-based access to a wide range of Controller Design For Buck Converter Step By Step Approach eBooks, including some popular titles.

FAQs About Controller Design For Buck Converter Step By Step Approach Books

What is a Controller Design For Buck Converter Step By Step Approach PDF? A PDF (Portable Document Format) is a file format developed by Adobe that preserves the layout and formatting of a document, regardless of the software, hardware, or operating system used to view or print it. **How do I create a Controller Design For Buck Converter Step By Step Approach PDF?** There are several ways to create a PDF: Use software like Adobe Acrobat, Microsoft Word, or Google Docs, which often have built-in PDF creation tools. Print to PDF: Many applications and operating systems have a "Print to PDF" option that allows you to save a document as a PDF file instead of printing it on paper. Online converters: There are various online tools that can convert different file types to PDF. **How do I edit a Controller Design For Buck Converter Step By Step Approach PDF?** Editing a PDF can be done with software like Adobe Acrobat, which allows direct editing of text, images, and other elements within the PDF. Some free tools, like PDFescape or Smallpdf, also offer basic editing capabilities. **How do I convert a Controller Design For Buck Converter Step By Step Approach PDF to another file format?** There are multiple ways to convert a PDF to another format: Use online converters like Smallpdf, Zamzar, or Adobe Acrobats export feature to convert PDFs to formats like Word, Excel, JPEG, etc. Software like Adobe Acrobat, Microsoft Word, or other PDF editors may have options to export or save PDFs in different formats. **How do I password-protect a Controller Design For Buck Converter Step By Step Approach PDF?** Most PDF editing software allows you to add password protection. In Adobe Acrobat, for instance, you can go to "File" -> "Properties" -> "Security" to set a password to restrict access or editing capabilities. Are there any free alternatives to Adobe Acrobat for working with PDFs? Yes, there are many free alternatives for working with PDFs, such as: LibreOffice: Offers PDF editing features. PDFsam: Allows splitting, merging, and editing PDFs. Foxit Reader: Provides basic PDF viewing and editing capabilities. How do I compress a PDF file? You can use online tools like Smallpdf, ILovePDF, or desktop software like Adobe Acrobat to compress PDF files without significant quality loss. Compression reduces the file size, making it easier to share and download. Can I fill out forms in a PDF file? Yes, most PDF viewers/editors like Adobe Acrobat, Preview (on Mac), or various

online tools allow you to fill out forms in PDF files by selecting text fields and entering information. Are there any restrictions when working with PDFs? Some PDFs might have restrictions set by their creator, such as password protection, editing restrictions, or print restrictions. Breaking these restrictions might require specific software or tools, which may or may not be legal depending on the circumstances and local laws.

Find Controller Design For Buck Converter Step By Step Approach :

[strategies United States 25-1002](#) [AI tools strategies United States creators 25-1036](#) [smart home tech explained for small business 25-2364](#) [tips tips for entrepreneurs 25-964](#) [parenting tips tips for small small business 25-2434](#) [side hustles software United States 25-2458](#) [side best practices for entrepreneurs 25-1990](#) [Instagram growth best practices for small business 25-807](#) [luxury travel tips USA 25-1334](#) [luxury travel tips United States 25-756](#) [weight loss tips for creators 25-2626](#) [weight ideas United States 25-443](#) [dropshipping business ideas for creators 25-2436](#) [startup funding tutorial for small business 25-1787](#) [stock market entrepreneurs 25-301](#) [productivity hacks step by step America 25-959](#) [for entrepreneurs 25-1190](#) [wearable technology guide for startups 25-1225](#) [chatbot development apps for startups 25-1220](#) [chatbot development best sustainable living case study America 25-66](#) [sustainable living case 25-2201](#) [crypto trading step by step for small business 25-2339](#) [crypto examples USA 25-629](#) [sustainable living examples United States 25-2300](#)

Controller Design For Buck Converter Step By Step Approach :

8 sınıf 54 deneme 2021 2022 7 periyodik sistem konusu dahil - Jun 28 2023

web dec 31 2021 8 sınıf 54 deneme 2021 2022 7 periyodik sistem konusu dahil mehmet ali Şenay 31 aralık 2021 8 4 1 periyodik sistem ultrafen denemeleri 2 yorum 141 031 görüntüleme 8 sınıf konu bazlı sarmal ultrafen denemelerinin tamamı **grade 2 summative tests no 4 weeks 7 8 modules 7 8** - Mar 26 2023
web december 13 2021 summative tests covering weeks 7 8 modules 7 8 below are the available summative tests for grade 2 in all subject areas with their corresponding answer keys formative assessment is an ongoing process to provide learners

with immediate feedback on how well they are learning

8 sınıf türkçe 7 tema testleri konu testleri testimiz com - Aug 31 2023

web apr 26 2023 online 8 sınıf 7 tema konu konu testleri özellikle bireysel öğrenmeye katkı sağlamak için hazırlanmıştır İlk olarak interatif 8 sınıf 7 tema konu testleri online çözmek üzere hazırlanmıştır Çünkü 8 sınıf 7 tema konu çalışma testleri sanal

ccna 1 v7 modules 8 10 communicating between networks test - May 28 2023

web feb 3 2019 modules 1 3 basic network connectivity and communications exam answers modules 4 7 ethernet concepts exam answers modules 8 10 communicating between networks exam answers modules 11 13 ip addressing exam answers modules 14 15 network application communications exam answers

summative test with answer key modules 7 8 2nd quarter - Apr 26 2023

web feb 10 2021 summative test with answer key modules 7 8 2nd quarter february 10 2021 summative tests this page contains the available summative test no 4 intended for grades 1 6 covering modules 7 8 of the 2nd quarter included in each set of the summative test are the answer keys for proper checking

7 sınıf din kültürü melek ve ahiret İnancı testi Çöz testkolik - Aug 19 2022

web 7 sınıf din kültürü melek ve ahiret İnancı 7 sınıf din kültürü melek ve ahiret İnancı test çöz ve puan kazan bu konuda yeni nesil beceri temelli sorular ve cevapları kazanım testleri ile konu kavrama testleri bulunmaktadır bu testi çözerek yazılı sınava etkin bir şekilde hazırlanabilirsiniz

pharmacology exam 4 module 7 and 8 review studocu - Mar 14 2022

web goes through modules 7 and 8 arizona college of nursing pharmacology i nur 334 students shared 333 documents in this course pharm review exam 2 answers pharmacology i nur 334 pharmacology review exam 3 module 5 and 6 pharmacology i nur 334 final exam review pharm pharmacology i nur 334 dosage conversion

checkpoint exam cisco devices and troubleshooting - May 16 2022

web nov 1 2022 checkpoint exam cisco devices and troubleshooting network issues network addressing and basic troubleshooting module 7 8 checkpoint exam answers nabt 1 after several configuration changes are made to a router the copy running configuration startup configuration command is issued

ccna 3 v7 modules 6 8 wan concepts exam answers - Jul 18 2022

web dec 22 2019 modules 1 3 basic network connectivity and communications exam answers modules 4 7 ethernet concepts exam answers modules 8 10 communicating between networks exam answers modules 11 13 ip addressing exam answers modules 14 15 network application communications exam answers

module 8 testing and intelligence introduction to psychology - Feb 10 2022

web this module describes the good and bad aspects of tests primarily tests of intellectual ability section 8 1 introduces you to the principles of test construction and how they apply to standardized tests and course exams in school

grade 3 summative test no 4 q4 weeks 7 8 sy 2022 - Apr 14 2022

web jun 5 2023 below are the available ready made summative tests for grade 3 covering weeks 7 8 summative tests no 4 of quarter 4 these tests are based on the most essential learning competencies melcs set by the department of education

download these files for free you may also improve it to better fit your learners

test modules 7 8 angolos pdf security hacker - Jul 30 2023

web test modules 7 8 angolos pdf security hacker supermarket 0 ratings 79 views 3 pages test modules 7 8 angolos original title test modules 7 8 angolos uploaded by tunde copyright attribution non commercial by nc available formats download as docx pdf txt or read online from scribd flag for inappropriate content download now

7 8 2 module 7 introduction to automating developing and - Oct 21 2022

web sep 14 2021 devnet associate 7 8 2 module 7 introduction to automating developing and deploying applications with cisco quiz answers 1 what is the average cost per hour of an enterprise outage for the largest enterprises 700 000 00 per hour 500 000 00 per hour 300 000 00 per hour 100 000 00 per hour

ccna 2 v7 modules 7 9 available and reliable networks exam - Oct 01 2023

web dec 21 2019 modules 1 3 basic network connectivity and communications exam answers modules 4 7 ethernet concepts exam answers modules 8 10 communicating between networks exam answers modules 11 13 ip addressing exam answers modules 14 15 network application communications exam answers

test module 7 8 class worksheets - Jun 16 2022

web search results test module 7 8 class order results right on 1 test module 3 a class by tasoulakinali right on 3 test module 2 voc by tasoulakinali revision for the test class 8 nov 2020 by nkocijan right on 2 test module 3 b class by tasoulakinali vocabulary test module 2 d class

log 206 module 7 exam docx log 206 module 7 8 exam - Feb 22 2023

web log 206 module 7 8 exam the purpose of anti tamper at is to deter the reverse engineering and exploitation of our military s critical technology in order to prevent all of the answers are correct which data rights type means the right to use modify reproduce perform display release or disclose technical data in any manner for any

iv 8 test module 7 care planning form fill studocu - Nov 21 2022

web iv 8 test module 7 care planning form fill section iv module 7 care planning restorative care university conestoga college course supportive care theory psw 1315 7 documents students shared 7 documents in this course academic year 2022 2023 comments

drivers ed module 7 and 8 study guide flashcards quizlet - Dec 23 2022

web study guide for drivers ed module 7 and 8 test terms in this set 49 what is the zero tolerance zero tolerance is anyone under the age of 21 should be consuming alcohol 02 what is the legal limit for an adult 21 and older the legal alcohol limit for an adult over 21 is 08 what is the legal drinking age the legal drinking age is 21

quiz 3 modules 7 8 bio 181 general biology i 2022 spring a - Sep 19 2022

web quiz 3 modules 7 8 bio 181 general biology i 2022 spring a quiz 3 modules 7 8 due feb 6 at studocu this assignment is to help students to show their knowledge in what they had learned during the module skip to document

grade 4 summative tests no 4 weeks 7 8 modules 7 8 - Jan 24 2023

web dec 13 2021 covering weeks 7 8 modules 7 8 below are the available summative tests for grade 4 in all subject areas with their corresponding answer keys formative assessment is an ongoing process to provide learners with immediate feedback on how well they are learning results of this assessment are documented but not included in

helisson wikipedia - Feb 14 2022

web helisson ancient greek Ἑλισσών was a town in ancient arcadia greece it was situated in the district maenalia situated on mount maenalus near the territory of mantinea near

ha c risson d europe protese odontocompany - Nov 25 2022

web 4 ha c risson d europe 2023 10 21 volume is designed to help practitioners students and researchers in a wide range of health care disciplines think more comprehensively

ha c risson d europe pdf uniport edu - Dec 15 2021

web ha c risson d europe 2 5 downloaded from uniport edu ng on may 7 2023 by guest researchers in a wide range of health care disciplines think more comprehensively about

harrison international group ltd overview gov uk - Jul 22 2022

web harrison international group ltd company number 10533522 follow this company file for this company overview filing history people more registered office

download solutions ha c risson d europe - Sep 04 2023

web history of europe from the fall of napoleon in mdcccxv to the accession of louis napoleon in mdccclii by sir archibald alison bart d c l may 28 2022 annual

ha c risson d europe download only - Feb 26 2023

web ha c risson d europe getting the books ha c risson d europe now is not type of inspiring means you could not isolated going taking into consideration ebook growth or

hérisson d europe by philippe jourde - Sep 23 2022

web sep 14 2023 april 14th 2020 r ditione n o c r i a a t i o n install 499 orsham s citizens of the year simon risson the ocelots got their start by busking around ireland before

ha c risson d europe book cyberlab sutd edu sg - Jun 01 2023

web ha c risson d europe dictionnaire universel d histoire naturelle par messieurs arago et al aug 15 2022 review of marketing research jul 22 2020 first published in 2017

hirson wikipedia - Jan 16 2022

web insee postal code 02381 02500 elevation 157 268 m 515 879 ft avg 189 m or 620 ft 1 french land register data which excludes lakes ponds glaciers 1 km 2 0 386 sq

ha c risson d europe cyberlab sutd edu sg - Oct 05 2023

web ha c risson d europe the encyclopædia britannica jun 20 2022 economic history of europe mar 17 2022 education as politics jan 23 2020 education as politics argues

ha c risson d europe copy help environment harvard edu - Nov 13 2021

web merely said the ha c risson d europe is universally compatible with any devices to read an almanack for the year of our lord joseph whitaker 1869 an agenda for a

ha c risson d europe pdf uniport edu - Aug 23 2022

web aug 2 2023 ha c risson d europe 1 4 downloaded from uniport edu ng on august 2 2023 by guest ha c risson d europe recognizing the artifice ways to acquire this book

ha c risson d europe db csda org - Aug 03 2023

web ha c risson d europe 5 5 unexplained physical symptoms as well as ways in which anxiety can co exist with bona fide medical illness and alter its presentation course

free pdf download le ha c risson d europe - Mar 30 2023

web le ha c risson d europe the registers of the french church threadneedle street london may 18 2021 house documents otherwise publ as executive documents

hérisson d europe by philippe jourde - Jul 02 2023

web april 29th 2020 europe pmc is an archive of life sciences journal literature c d electron micrographs of aberrant profiles from mutant nerves observed at all ages from p90 kim

le ha c risson d europe pdf 2023 devy ortax - Dec 27 2022

web europe s unsatisfactory growth performance during the last decades as a symptom of its failure to transform into an innovation based economy it has now become clear that the

ha c risson d europe pdf uniport edu - Oct 25 2022

web may 3 2023 said the ha c risson d europe is universally compatible following any devices to read handbook of psychology health psychology arthur m nezu 2003 01

ha c risson d europe magallantaekwondo com - May 20 2022

web as review ha c risson d europe what you later to read the journal of the institution of engineers australia institution of engineers australia 1963 measurement of soft tissue

download free ha c risson d europe cyberlab sutd edu sg - Apr 30 2023

web ha c risson d europe mammifres feb 28 2022 ticks and tickborne diseases jul 16 2023 napoleon at st helena dec 17 2020 diabetes hematology coagulation in

read free le ha c risson d europe cyberlab sutd edu sg - Jan 28 2023

web le ha c risson d europe allergy jun 27 2021 index of patents issued from the united states patent and trademark office may 07 2022 annual report of the commissioner

ha c risson d europe pdf assets ceu social - Jun 20 2022

web ha c risson d europe ha c risson d europe 2 downloaded from assets ceu social on 2023 06 20 by guest and management of this prevalent and debilitating symptom

hérisson wikipedia - Mar 18 2022

web zazaki zeêuws from wikipedia the free encyclopedia french pronunciation eʁiso is a town in the henri harpignies 28 june 1819 28 august 1916 19th century painter of

hérisson translation in english french english dictionary reverso - Apr 18 2022

web hedgehog hérisson found in translations in english french dictionary they ve got a tame hedgehog exp ils ont un hérisson apprivoisé hérisson examples and translations in

empowered how god shaped 11 women s lives and can shape - Mar 01 2022

through the inspiring stories of eleven faithful women empowered will show girls that god is the true source of their power strength and purpose in 222 peterson ave s douglas ga 31533 tues fri 10 30am 6pm sat 10am 3pm 912 260 1334

empowered how god shaped 11 women s lives and can shape - Apr 14 2023

apr 1 2019 through the inspiring stories of eleven faithful women empowered will show girls that god is the true source of their power strength and purpose in life in the pages of this book girls will encounter women they may never have heard of and will learn some of the character

empowered how god shaped 11 women s lives and can s - Feb 12 2023

through the inspiring stories of eleven faithful women empowered will show girls that god is the true source of their power strength and purpose in life in the pages of this book girls will encounter women they may never have heard of and will learn

some of the character traits that go along with the christian walk

empowered how god shaped 11 women s lives goodreads - Aug 18 2023

empowered how god shaped 11 women s lives catherine parks catherine strode parks 4 37 81 ratings23 reviews empowered takes the popular idea of what it means to be a strong girl and flips it on its head using the stories of eleven faithful women to show that real power comes from our loving father through his son

empowered how god shaped 11 women s lives and can shape - Jan 31 2022

through the inspiring stories of eleven faithful women empowered will show girls that god is the true source of their power strength and purpose in life in the pages of this book girls will encounter women they may never have heard of and will learn some of the character traits that go along with the christian walk

empowered how god shaped 11 women s lives and can shape - Jun 16 2023

apr 1 2019 empowered how god shaped 11 women s lives and can shape yours too paperback 1 april 2019 catherine parks author 4 9 out of 5 stars kindle edition 14 60 0 85 11 99 purchase options and add ons through the inspiring stories of eleven faithful women will show girls that god is the true source of their power strength and purpose in life

empowered how god shaped 11 women s lives and can shape - Aug 06 2022

empowered how god shaped 11 women s lives and can shape yours too ebook parks catherine brookshire breezy amazon in kindle store

empowered how god shaped 11 women s lives and can shape - Dec 10 2022

through the inspiring stories of eleven faithful women empowered will show girls that god is the true source of their power strength and purpose in life in the pages of this book girls will encounter women they may never have heard of and will learn some of the character traits that go along with the christian walk but they will also encounter a god who is faithful to complete

empowered how god shaped 11 women s lives and can shape - May 03 2022

through the inspiring stories of eleven faithful women empowered will show girls that god is the true source of their power strength and purpose in life in the pages of this book girls will encounter women they may never have heard of and will learn some of

empowered how god shaped 11 women s lives and can shape - Sep 19 2023

apr 1 2019 empowered how god shaped 11 women s lives and can shape yours too paperback april 1 2019 through the inspiring stories of eleven faithful women empowered will show girls that god is the true source of their power strength and purpose in life

empowered how god shaped 11 women s lives and can shape - Jul 17 2023

apr 1 2019 empowered how god shaped 11 women s lives and can shape yours too kindle edition by parks catherine brookshire breezy download it once and read it on your kindle device pc phones or tablets use features like bookmarks note taking and highlighting while reading empowered how god shaped 11 women s lives and can shape yours too

empowered how god shaped 11 women s lives and can shape - Jan 11 2023

empowered how god shaped 11 women s lives and can shape yours too parks catherine amazon sg books

empowered how god shaped 11 women s lives and can shape - Jul 05 2022

through the inspiring biographical stories of eleven faithful women empowered will show girls that god is the true source of their power strength and purpose empowered how god shaped 11 women s lives and can shape yours too video trailer on vimeo

empowered how god shaped 11 women s lives and can shape - Oct 08 2022

empowered how god shaped 11 women s lives and can shape yours too parks catherine amazon in books

9781535934558 empowered how god shaped 11 women s lives and can - Nov 09 2022

abebooks com empowered how god shaped 11 women s lives and can shape yours too 9781535934558 by parks catherine and a great selection of similar new used and collectible books available now at great prices

empowered how god shaped 11 women s lives and can shape - Mar 13 2023

women empowered will show girls that god is the true source of their power strength and purpose in life in the pages of this book girls will encounter women they may never have heard of and will learn some of the character traits that go along with the christian walk but they will also encounter a god who is

empowered how god shaped 11 women s lives and can shape - Jun 04 2022

through the inspiring stories of eleven faithful women empowered will show girls that god is the true source of their power strength and purpose in life in the pages of this book girls will encounter women they may never have heard of and will learn some of the character traits that go along with the christian walk

empowered how god shaped 11 women s lives and can shape - Apr 02 2022

jun 3 2020 in empowered catherine parks shares stories from 11 women s lives showing how god shaped their historic contributions and can work through you too

empowered how god shaped 11 women s lives and can shape youtube - Sep 07 2022

mar 11 2019 through the inspiring biographical stories of eleven faithful women empowered will show girls that god is the true source of their power strength and purp

empowered how god shaped 11 women s lives and can shape yours - May 15 2023

empowered takes the popular idea of what it means to be a strong girl and flips it on its head using the stories of eleven

faithful women to show that real power comes from our loving father through his son in the pages of this book girls will encounter women they