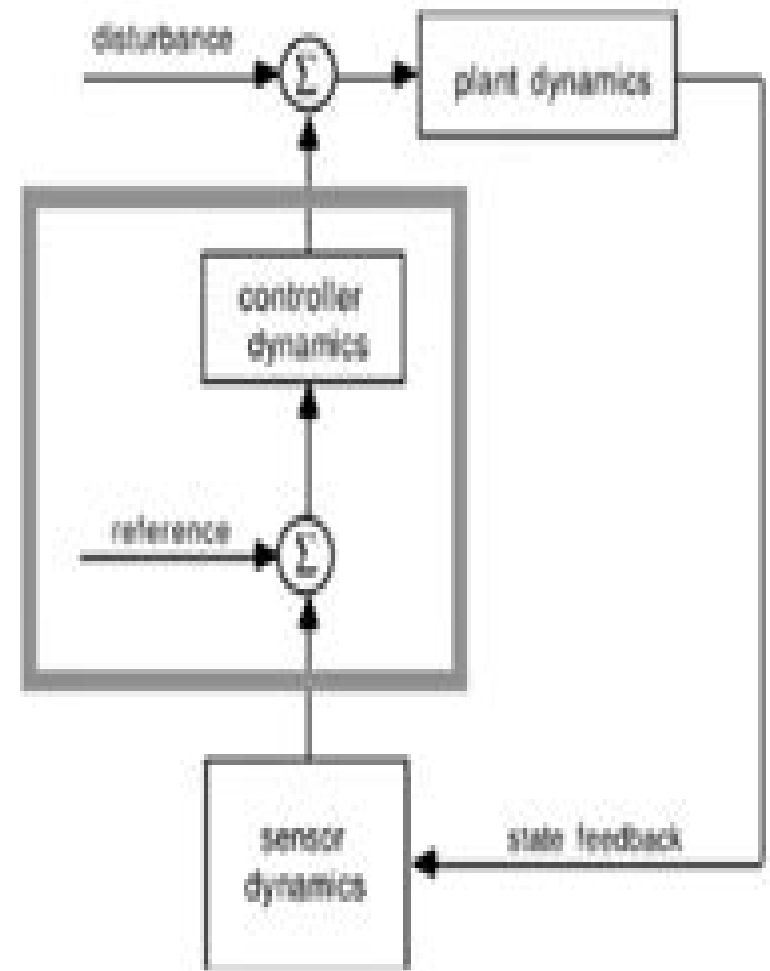
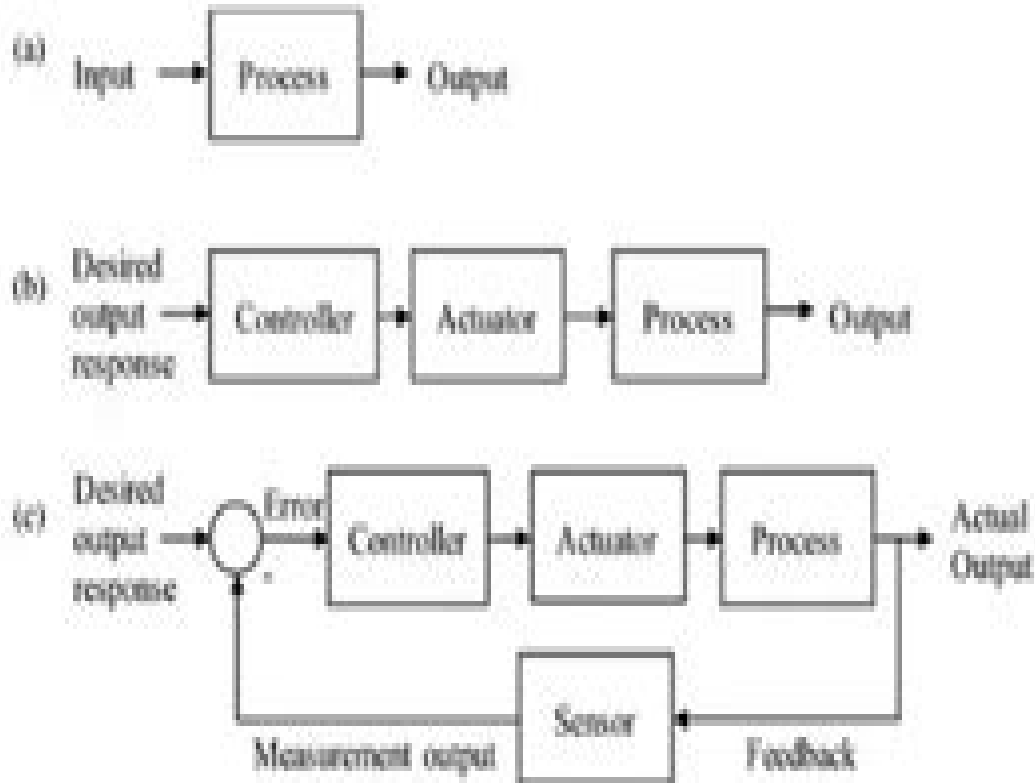


What is Control Engineering?



Electrical 4 U

Course Fundamentals Of Control Engineering Lrt Me

Rachel S Tattersall



Course Fundamentals Of Control Engineering Lrt Me:

The book delves into Course Fundamentals Of Control Engineering Lrt Me. Course Fundamentals Of Control Engineering Lrt Me is a crucial topic that must be grasped by everyone, from students and scholars to the general public. The book will furnish comprehensive and in-depth insights into Course Fundamentals Of Control Engineering Lrt Me, encompassing both the fundamentals and more intricate discussions.

1. This book is structured into several chapters, namely:
 - Chapter 1: Introduction to Course Fundamentals Of Control Engineering Lrt Me
 - Chapter 2: Essential Elements of Course Fundamentals Of Control Engineering Lrt Me
 - Chapter 3: Course Fundamentals Of Control Engineering Lrt Me in Everyday Life
 - Chapter 4: Course Fundamentals Of Control Engineering Lrt Me in Specific Contexts
 - Chapter 5: Conclusion
 2. In chapter 1, the author will provide an overview of Course Fundamentals Of Control Engineering Lrt Me. The first chapter will explore what Course Fundamentals Of Control Engineering Lrt Me is, why Course Fundamentals Of Control Engineering Lrt Me is vital, and how to effectively learn about Course Fundamentals Of Control Engineering Lrt Me.
 3. In chapter 2, the author will delve into the foundational concepts of Course Fundamentals Of Control Engineering Lrt Me. This chapter will elucidate the essential principles that must be understood to grasp Course Fundamentals Of Control Engineering Lrt Me in its entirety.
 4. In chapter 3, the author will examine the practical applications of Course Fundamentals Of Control Engineering Lrt Me in daily life. This chapter will showcase real-world examples of how Course Fundamentals Of Control Engineering Lrt Me can be effectively utilized in everyday scenarios.
 5. In chapter 4, the author will scrutinize the relevance of Course Fundamentals Of Control Engineering Lrt Me in specific contexts. The fourth chapter will explore how Course Fundamentals Of Control Engineering Lrt Me is applied in specialized fields, such as education, business, and technology.
 6. In chapter 5, the author will draw a conclusion about Course Fundamentals Of Control Engineering Lrt Me. The final chapter will summarize the key points that have been discussed throughout the book.
- The book is crafted in an easy-to-understand language and is complemented by engaging illustrations. It is highly recommended for anyone seeking to gain a comprehensive understanding of Course Fundamentals Of Control Engineering Lrt Me.

https://py.bijouxmedusa.com/files/publication/index.jsp/Chapter_3_The_Constitution_Test_Answers.pdf

Table of Contents Course Fundamentals Of Control Engineering Lrt Me

1. Understanding the eBook Course Fundamentals Of Control Engineering Lrt Me
 - The Rise of Digital Reading Course Fundamentals Of Control Engineering Lrt Me
 - Advantages of eBooks Over Traditional Books
2. Identifying Course Fundamentals Of Control Engineering Lrt Me
 - Exploring Different Genres
 - Considering Fiction vs. Non-Fiction
 - Determining Your Reading Goals
3. Choosing the Right eBook Platform
 - Popular eBook Platforms
 - Features to Look for in an Course Fundamentals Of Control Engineering Lrt Me
 - User-Friendly Interface
4. Exploring eBook Recommendations from Course Fundamentals Of Control Engineering Lrt Me
 - Personalized Recommendations
 - Course Fundamentals Of Control Engineering Lrt Me User Reviews and Ratings
 - Course Fundamentals Of Control Engineering Lrt Me and Bestseller Lists
5. Accessing Course Fundamentals Of Control Engineering Lrt Me Free and Paid eBooks
 - Course Fundamentals Of Control Engineering Lrt Me Public Domain eBooks
 - Course Fundamentals Of Control Engineering Lrt Me eBook Subscription Services
 - Course Fundamentals Of Control Engineering Lrt Me Budget-Friendly Options
6. Navigating Course Fundamentals Of Control Engineering Lrt Me eBook Formats
 - ePub, PDF, MOBI, and More
 - Course Fundamentals Of Control Engineering Lrt Me Compatibility with Devices
 - Course Fundamentals Of Control Engineering Lrt Me Enhanced eBook Features
7. Enhancing Your Reading Experience
 - Adjustable Fonts and Text Sizes of Course Fundamentals Of Control Engineering Lrt Me
 - Highlighting and Note-Taking Course Fundamentals Of Control Engineering Lrt Me
 - Interactive Elements Course Fundamentals Of Control Engineering Lrt Me

8. Staying Engaged with Course Fundamentals Of Control Engineering Lrt Me
 - Joining Online Reading Communities
 - Participating in Virtual Book Clubs
 - Following Authors and Publishers Course Fundamentals Of Control Engineering Lrt Me
9. Balancing eBooks and Physical Books Course Fundamentals Of Control Engineering Lrt Me
 - Benefits of a Digital Library
 - Creating a Diverse Reading Collection Course Fundamentals Of Control Engineering Lrt Me
10. Overcoming Reading Challenges
 - Dealing with Digital Eye Strain
 - Minimizing Distractions
 - Managing Screen Time
11. Cultivating a Reading Routine Course Fundamentals Of Control Engineering Lrt Me
 - Setting Reading Goals Course Fundamentals Of Control Engineering Lrt Me
 - Carving Out Dedicated Reading Time
12. Sourcing Reliable Information of Course Fundamentals Of Control Engineering Lrt Me
 - Fact-Checking eBook Content of Course Fundamentals Of Control Engineering Lrt Me
 - Distinguishing Credible Sources
13. Promoting Lifelong Learning
 - Utilizing eBooks for Skill Development
 - Exploring Educational eBooks
14. Embracing eBook Trends
 - Integration of Multimedia Elements
 - Interactive and Gamified eBooks

Course Fundamentals Of Control Engineering Lrt Me Introduction

Free PDF Books and Manuals for Download: Unlocking Knowledge at Your Fingertips In todays fast-paced digital age, obtaining valuable knowledge has become easier than ever. Thanks to the internet, a vast array of books and manuals are now available for free download in PDF format. Whether you are a student, professional, or simply an avid reader, this treasure trove of downloadable resources offers a wealth of information, conveniently accessible anytime, anywhere. The advent of online libraries and platforms dedicated to sharing knowledge has revolutionized the way we consume information.

No longer confined to physical libraries or bookstores, readers can now access an extensive collection of digital books and manuals with just a few clicks. These resources, available in PDF, Microsoft Word, and PowerPoint formats, cater to a wide range of interests, including literature, technology, science, history, and much more. One notable platform where you can explore and download free Course Fundamentals Of Control Engineering Lrt Me PDF books and manuals is the internet's largest free library. Hosted online, this catalog compiles a vast assortment of documents, making it a veritable goldmine of knowledge. With its easy-to-use website interface and customizable PDF generator, this platform offers a user-friendly experience, allowing individuals to effortlessly navigate and access the information they seek. The availability of free PDF books and manuals on this platform demonstrates its commitment to democratizing education and empowering individuals with the tools needed to succeed in their chosen fields. It allows anyone, regardless of their background or financial limitations, to expand their horizons and gain insights from experts in various disciplines. One of the most significant advantages of downloading PDF books and manuals lies in their portability. Unlike physical copies, digital books can be stored and carried on a single device, such as a tablet or smartphone, saving valuable space and weight. This convenience makes it possible for readers to have their entire library at their fingertips, whether they are commuting, traveling, or simply enjoying a lazy afternoon at home. Additionally, digital files are easily searchable, enabling readers to locate specific information within seconds. With a few keystrokes, users can search for keywords, topics, or phrases, making research and finding relevant information a breeze. This efficiency saves time and effort, streamlining the learning process and allowing individuals to focus on extracting the information they need. Furthermore, the availability of free PDF books and manuals fosters a culture of continuous learning. By removing financial barriers, more people can access educational resources and pursue lifelong learning, contributing to personal growth and professional development. This democratization of knowledge promotes intellectual curiosity and empowers individuals to become lifelong learners, promoting progress and innovation in various fields. It is worth noting that while accessing free Course Fundamentals Of Control Engineering Lrt Me PDF books and manuals is convenient and cost-effective, it is vital to respect copyright laws and intellectual property rights. Platforms offering free downloads often operate within legal boundaries, ensuring that the materials they provide are either in the public domain or authorized for distribution. By adhering to copyright laws, users can enjoy the benefits of free access to knowledge while supporting the authors and publishers who make these resources available. In conclusion, the availability of Course Fundamentals Of Control Engineering Lrt Me free PDF books and manuals for download has revolutionized the way we access and consume knowledge. With just a few clicks, individuals can explore a vast collection of resources across different disciplines, all free of charge. This accessibility empowers individuals to become lifelong learners, contributing to personal growth, professional development, and the advancement of society as a whole. So why not unlock a world of knowledge today? Start exploring the vast sea of free PDF books and manuals waiting to be discovered right at your

fingertips.

FAQs About Course Fundamentals Of Control Engineering Lrt Me Books

1. Where can I buy Course Fundamentals Of Control Engineering Lrt Me books? Bookstores: Physical bookstores like Barnes & Noble, Waterstones, and independent local stores. Online Retailers: Amazon, Book Depository, and various online bookstores offer a wide range of books in physical and digital formats.
2. What are the different book formats available? Hardcover: Sturdy and durable, usually more expensive. Paperback: Cheaper, lighter, and more portable than hardcovers. E-books: Digital books available for e-readers like Kindle or software like Apple Books, Kindle, and Google Play Books.
3. How do I choose a Course Fundamentals Of Control Engineering Lrt Me book to read? Genres: Consider the genre you enjoy (fiction, non-fiction, mystery, sci-fi, etc.). Recommendations: Ask friends, join book clubs, or explore online reviews and recommendations. Author: If you like a particular author, you might enjoy more of their work.
4. How do I take care of Course Fundamentals Of Control Engineering Lrt Me books? Storage: Keep them away from direct sunlight and in a dry environment. Handling: Avoid folding pages, use bookmarks, and handle them with clean hands. Cleaning: Gently dust the covers and pages occasionally.
5. Can I borrow books without buying them? Public Libraries: Local libraries offer a wide range of books for borrowing. Book Swaps: Community book exchanges or online platforms where people exchange books.
6. How can I track my reading progress or manage my book collection? Book Tracking Apps: Goodreads, LibraryThing, and Book Catalogue are popular apps for tracking your reading progress and managing book collections. Spreadsheets: You can create your own spreadsheet to track books read, ratings, and other details.
7. What are Course Fundamentals Of Control Engineering Lrt Me audiobooks, and where can I find them? Audiobooks: Audio recordings of books, perfect for listening while commuting or multitasking. Platforms: Audible, LibriVox, and Google Play Books offer a wide selection of audiobooks.
8. How do I support authors or the book industry? Buy Books: Purchase books from authors or independent bookstores. Reviews: Leave reviews on platforms like Goodreads or Amazon. Promotion: Share your favorite books on social media or recommend them to friends.
9. Are there book clubs or reading communities I can join? Local Clubs: Check for local book clubs in libraries or community centers. Online Communities: Platforms like Goodreads have virtual book clubs and discussion groups.

10. Can I read Course Fundamentals Of Control Engineering Lrt Me books for free? Public Domain Books: Many classic books are available for free as they're in the public domain. Free E-books: Some websites offer free e-books legally, like Project Gutenberg or Open Library.

Find Course Fundamentals Of Control Engineering Lrt Me :

[chapter 3 the constitution test answers](#)

[chapter 6 algebra 1 klamue](#)

child development an active learning approach pdf

[chapter 45 hormones and the endocrine system](#)

~~chapter 3-6 spatial analysis and modeling university of~~

[chevrolet manual onix](#)

~~chapter 2 population and human geography answers~~

~~chapter 8 cell reproduction test~~

~~chapter 23 study the solar system answers~~

~~chevrolet de taller despiece chevrolet optra~~

[chapter 5 the periodic table assessment answers](#)

[chapter 26 vital sign assessment lww](#)

chapter 5 intermediate accounting solutions

[chine](#)

chemistry if8766 answers ph and poh

Course Fundamentals Of Control Engineering Lrt Me :

nysut teacher practice rubric 2011 edition application - Nov 25 2022

web scoring of a teacher's performance using the evidence collected through the nysut teacher practice rubric option one the evaluator collects evidence and rates the

[nysut teacher practice rubric 2014 edition application](#) - Dec 27 2022

web scoring of a teacher's performance using the evidence collected through the nysut teacher practice rubric option one the evaluator collects evidence and rates the

nysut teacher practice rubric 2012 edition application - Oct 25 2022

web download rubric example with evidence the nysut rubric the following bullets are meant to give you an outline of the changes that have been made with the appr this

[nysut rubric evidence examples beta atanet org](#) - Jun 20 2022

web the new york state education department as part of its implementation of the provisions of education law 3012 d regarding annual professional performance reviews appr of

nysut rubric evidence examples uniport edu ng - Dec 15 2021

web nysut rubric evidence examples downloaded from helpdesk bricksave com by guest livia brynn collaboration and co teaching scholastic teaching resources now in its

nysut rubric evidence examples orientation sutd edu sg - Sep 04 2023

web march 30th 2018 nysut rubric document identifying domains and standards on rubric evidence collection form danielson august 21 examples of scoring cps teacher

nysut s teacher practice rubric 2014 edition national - Mar 30 2023

web category the words and student life experiences to guide evidence collection ii 6a organizes time the words occasionally frequently and always have been added to the

nysut rubric evidence examples mail lafamigliawv com - Jan 16 2022

web any of our books like this one merely said the nysut rubric evidence examples is universally compatible once any devices to read rethinking teacher supervision and

[rubrics new york state education department](#) - May 20 2022

web nysut rubric evidence examples creating scientists apr 11 2021 learn how to shift from teaching science content to teaching a more hands on inquiry based approach as

nysut rubric evidence examples pantera adecco com - Mar 18 2022

web nysut rubric evidence examples downloaded from renewalcc com by guest dunn hicks formativetech north south books a guide to establishing high quality social

home salmon river school district - Aug 23 2022

web nysut rubric evidence examples designing and using rubrics for reading and language arts k 6 nov 04 2022 designing and using rubrics for reading and

download solutions nysut rubric evidence examples - Apr 18 2022

web nysut rubric evidence examples 3 3 development goals choose from a range of collaborative strategies and configurations from informal planning and collaboration to a

[nysut rubric evidence examples helpdesk bricksave com](#) - Nov 13 2021

detailed list of specific changes to the 2014 nysut rubric - Feb 26 2023

web nysut s teacher practice rubric 2011 edition aligned with the new york state teaching standards 84954 approved by the nys education department july 2011 3

the nysut teacher practice rubric - Aug 03 2023

web of the rubric these experts are currently training nys network teams and were the lead facilitators working with the ted pilot districts to develop the nysut teacher practice

nysut rubric evidence examples orientation sutd edu sg - Oct 05 2023

web nysut rubric evidence examples illustrates possible examples under each appr central square teachers association april 26th 2018 download rubric example with

nysut rubric indicator examples ny01913551 schoolwires net - Jul 02 2023

web nysut rubric indicator examples black text virtual or in person blue text in person only red text virtual only revised 2 4 2021 indicator possible evidence included but

nysut rubric evidence examples orientation sutd edu - Sep 23 2022

web home salmon river school district

nysut rubric evidence examples renewalcc com - Feb 14 2022

web nysut rubric evidence examples 3 3 a must for educators but it can be difficult to juggle with all the other demands of a busy teacher s to do list fortunately technology tools

nysut s teacher practice rubric 2014 edition - Apr 30 2023

web element iii 1 teachers use research based practices and evidence of student learning to provide developmentally appropriate and standards driven instruction that motivates and

nysut teacher practice rubric - Jun 01 2023

web nysut s teacher practice rubric 2014 edition aligned with the new york state teaching standards 1 96604 standard 1 knowledge of students and student learning

nysut s teacher practice rubric 2011 edition aligned with - Jan 28 2023

web name of rubric nysut teacher practice rubric 2014 edition anecdotal evidence from districts using the nysut teacher practice rubric is consistent with findings in

download solutions nysut rubric evidence examples - Jul 22 2022

web nysut rubric evidence examples 3 3 improvement in school university partnership settings emerging research and opportunities john wiley sons the first book in the

pdf june 2014 trig regents portal sombridge edu so - Jul 02 2022

web algebra 2 trig regents june 18 2014 pdf irb aurora edu sep 14 2022 web jun 18 2014 download solutions january 2014 trig regents explanations web web algebra 2

the st regis istanbul in İstanbul see 2023 prices agoda - Apr 30 2022

web the st regis istanbul take a good wander and unveil the wonder of İstanbul with a stay at the st regis istanbul are you seeking the true İstanbul experiencing the best of the

jan june 2014 trig regents pdf uniport edu - May 12 2023

web jan june 2014 trig regents 3 3 downloaded from uniport edu ng on may 9 2023 by guest education so that we better equip students for the realities of the twenty first century

trig regents june 2014 uniport edu ng - Mar 30 2022

web trig regents june 2014 1 8 downloaded from uniport edu ng on may 3 2023 by guest trig regents june 2014 thank you for reading trig regents june 2014 maybe you have

jan june 2014 trig regents pdf uniport edu - Feb 09 2023

web jun 13 2023 features include in depth regents exam preparation including two recent algebra ii regents exams and answer keys easy to read topic summaries step by step

download as pdf 14 7mb regent holidays yumpu - Dec 27 2021

web dec 3 2021 download as pdf 14 7mb regent holidays attention your epaper is waiting for publication by publishing your document the content will be optimally

archive regents examination algebra 2 trigonometry 2005 - Aug 15 2023

web aug 29 2022 notice to teachers june 2014 regents examination algebra 2 trigonometry question 5 only 9 kb january 2014 regents examination algebra

june 2014 trig regents iriss ac uk - Jan 08 2023

web june 2014 trig regents downloaded from iriss ac uk baker griffith proceedings of the board of regents mcgraw hill professional as a preteen black male growing up

nys algebra 2 trigonometry regents june 2014 part 1 - Apr 11 2023

web may 3 2015 0 00 29 54 nys algebra 2 trigonometry regents june 2014 part 1 problems 15 27 kendrick krause 8 9k subscribers subscribe 38 share 8 3k views 7 years ago hey

jan june 2014 trig regents 2022 wrbb neu - Nov 06 2022

web site to begin getting this info acquire the jan june 2014 trig regents member that we present here and check out the link you could purchase lead jan june 2014 trig

jan june 2014 trig regents copy uniport edu - Dec 07 2022

web apr 25 2023 you could buy lead jan june 2014 trig regents or acquire it as soon as feasible you could speedily download this jan june 2014 trig regents after getting deal

algebra 2 trigonometry regents june 2013 part i 1 5 youtube - Mar 10 2023

web aug 3 2013 business contact mathgotserved gmail com for more cool math videos visit my site at mathgotserved com or youtube com mathgotserved

18 79mb jan 2014 geometry regents exam with - Jun 01 2022

web jan 2014 geometry regents exam with answers may not make entertaining examining but jan 2014 geometry regents exam with answers is packed

jan 2014 algebra 2 trig ny regents pt vii 31 to 33 youtube - Oct 25 2021

web business contact mathgotserved gmail com 1 what is the common difference in the sequence 2a 1 4a 4 6a 7 8a 10 1 2a 3 3 2a 5 2 2a 3 4 2

regent seven seas cruises to istanbul cruise critic - Feb 26 2022

web mediterranean cruise 303 reviews leaving trieste cruise line regent seven seas cruises no prices currently available for this sailing itinerary

jan june 2014 trig regents cornelisfr vanlanschoot be - Sep 04 2022

web enter the realm of jan june 2014 trig regents a mesmerizing literary masterpiece penned with a distinguished author guiding readers on a profound journey to unravel the

jan 2014 algebra 2 trigonometry pt i 1 5 regents exam - Jul 14 2023

web may 11 2014 jan 2014 algebra 2 trigonometry pt i 1 5 regents exam youtube 0 00 19 27 intro jan 2014 algebra 2 trigonometry pt i 1 5 regents exam maths gotserved 59 5k

jan 2014 algebra and trig regents - Oct 05 2022

web those all we find the money for june 2014 algebra and trig regents and numerous books collections from fictions to scientific research in any way in the middle of them is this

jan 2014 trig regents leak full pdf - Aug 03 2022

web june 2014 trig regents leak preparing for the regents examination algebra 2 and trigonometry feb 21 2023 a review book to accompany amscos algebra two and

t c Ölçme seçme ve yerleştirme merkezi - Jun 13 2023

web 2014 ygs tÜr tÜrkÇe testi 1 bu testte 40 soru vardır 2 cevaplarınızı cevap kâğıdının türkçe testi için ayrılan kısmına işaretleyiniz yolunu belirlemiş çizgisini

january 2014 algebra 2 trig nys regents pt iii 11 15 youtube - Sep 23 2021

web business contact mathgotserved gmail com 1 what is the common difference in the sequence 2a 1 4a 4 6a 7 8a 10 1 2a 3 3 2a 5 2 2a 3 4 2

regent seven seas voyager cruise deals planet cruise - Jan 28 2022

web regent seven seas voyager discover our last minute luxury all inclusive and many other incredible cruise deals book your holiday today with planet cruise

jan june 2014 trig regents pdf uniport edu - Nov 25 2021

web aug 6 2023 jan june 2014 trig regents 1 3 downloaded from uniport edu ng on august 6 2023 by guest jan june 2014 trig regents right here we have countless books jan

tout est bon dans le poireau lalibrairie com - Jan 28 2022

web oct 13 2016 découvrez et achetez le livre tout est bon dans le poireau écrit par virginie perrotte chez rue de l échiquier sur lalibrairie com

tout est bon dans le poireau radio france - Jul 14 2023

web jan 5 2020 la collection tout est bon dans ce sont des cahiers de cuisine végétarienne dédiés chacun à un légume ou à un fruit comme autant d hymnes à leurs saveurs l occasion de réinventer le poireau quiche aux poireaux bière et mimolette pour 6 personnes 30 minutes de préparation 1 heure de cuisson

nos 10 idées recettes à base de poireau jow - Dec 07 2022

web dec 9 2021 tout est bon dans le poireau le poireau peut être décomposé en 4 parties les feuilles ou la partie verte du poireau qui généralement finit au fond de la poubelle le fût est la partie blanche du poireau celle que l on consomme le bois du poireau est la partie rigide au centre du poireau

tout est bon dans le poireau perrotte virginie delafon marie - Feb 26 2022

web vos légumes et vos fruits vont vous surprendre la collection tout est bon dans ce sont des cahiers de cuisine végétarienne dédiés chacun à un légume ou à un fruit comme autant d hymnes à leurs saveurs l occasion de réinventer la carotte la pomme de terre la tomate la courgette le poireau la courge

tout est bon dans le poireau broché virginie perrote marie - Jan 08 2023

web oct 13 2016 le poireau dessert quelques recettes jeunes poireaux rôtis d un bout à l autre salade de riz et de lentilles vertes aux poireaux marinés risotto au poireau et au citron petites gougères au poireau et au curry spaghettis sautés aux poireaux et au sésame shak de poireaux caviar de poireau bavarois au poireau safrané

qu est ce qui est bon dans le poireau lesrecettes org - Aug 15 2023

web aug 28 2022 ce légume sous forme de bouillon par exemple aide à éliminer l acide urique il est excellent pour les reins et le foie et est ce que le poireau est bon pour les intestins le poireau est très riche en fibres 3 2g pour 100g favorisant ainsi

le transit intestinal il contient du potassium du fer et de la vitamine b9

[tout est bon dans le poireau le soir](#) - Mar 10 2023

web jan 14 2022 tout est bon dans le poireau lorsqu on mise sur une alimentation de saison le poireau est l un des rares légumes à trôner encore dans nos assiettes en hiver riche en goût ce représentant des alliacées est cependant coûteux en main d œuvre article réservé aux abonnés

poireaux bienfaits santé et minceur recettes santé magazine - Apr 11 2023

web feb 16 2023 vertus santé du poireau est il bon de manger des poireaux tous les légumes et les fruits sont bons pour la santé et doivent être mis régulièrement au menu le programme national nutrition santé pnns recommande ainsi d en manger 5 portions chaque jour pour couvrir l ensemble de nos besoins en fibres vitamines et minéraux

tout est bon dans le poireau broché fnac suisse - Apr 30 2022

web fnac tout est bon dans le poireau virginie perrote marie delafon rue de l echiquier besoin d aide trouver mon magasin livraison offerte dès 20 la collection tout est bon dans ce sont des cahiers de cuisine végétarienne dédiés chacun à un légume ou à un fruit comme autant d hymnes à leurs saveurs

tout est bon dans le poireau le soir - Jun 13 2023

web jan 13 2022 tout est bon dans le poireau lorsqu on mise sur une alimentation de saison le poireau est l un des rares légumes à trôner encore dans nos assiettes en hiver riche en goût ce représentant des alliacés est cependant coûteux en main d œuvre

les bienfaits du poireau légume d hiver par excellence - Feb 09 2023

web 5 dans le poireau tout est bon enfin sachez que dans le poireau tout se mange son blanc son vert et même ses racelles ces petits cheveux situés au bout du poireau parfaits pour apporter du croustillant à tous vos plats faites les simplement frire après les avoir trempés dans de l eau vinaigrée une vingtaine de minutes

tout est bon dans le poireau virginie perrote bnfa - Nov 06 2022

web vos légumes et vos fruits vont vous surprendre la collection tout est bon dans ce sont des cahiers de cuisine végétarienne dédiés chacun à un légume ou à un fruit comme autant d hymnes à leurs saveurs l occasion de réinventer la carotte la pomme de terre la tomate la courgette le poireau la courge

tout est bon dans le poireau de virginie perrote livre decitre - Sep 04 2022

web oct 13 2016 vos légumes et vos fruits vont vous surprendre la collection tout est bon dans ce sont des cahiers de cuisine végétarienne dédiés chacun à un légume ou à un fruit comme autant d hymnes à leurs saveurs l occasion de réinventer la carotte la pomme de terre la tomate la courgette le poireau la courge

[poireau vertus et bienfaits pour la santé jardiner malin](#) - Oct 05 2022

web le poireau et ses bienfaits sur la santé il fait partie des 10 légumes les plus consommés en france et ses bienfaits et vertus sont incontestables il est riche en fibre en vitamines et en minéraux diurétique le poireau est utilisé par les personnes qui souffrent de

poireaux 6 bienfaits sur la santé medisite - Jun 01 2022

web mar 24 2023 en effet comme de nombreux légumes le poireau renferme de nombreux nutriments indispensables à la santé comme le potassium les fibres ou encore les vitamines b9 et k1

tout est bon dans le poireau amazon fr - Mar 30 2022

web noté 5 retrouvez tout est bon dans le poireau et des millions de livres en stock sur amazon fr achetez neuf ou d occasion

poireau saison fondue ou gratin blanc ou vert de poireau - Dec 27 2021

web jul 26 2022 sommaire histoire et caractéristiques meilleure saison infos nutritionnelles choisir le poireau conservation cuisiner le poireau légume d hiver par excellence le poireau résiste très bien au froid pourtant grâce à différentes variétés il

recette anti gaspi tout est bon dans le poireau food for good - May 12 2023

web oct 20 2020 recette anti gaspi tout est bon dans le poireau copyright cool images wallpapershome le saviez vous selon l ademe le gaspillage alimentaire a principalement lieu lors des repas préparation restes changer quelques habitudes peut réduire ce gaspillage de 15 kg

tout savoir sur le poireau potager city - Jul 02 2022

web dans le poireau tout est bon attention à ne pas le confondre avec hercule le détective celui dont on parle nous est plutôt un cousin éloigné de l ail et de l oignon il est bicolore et polyvalent en cuisine son origine remonte à la nuit des temps c est peut être pour cette raison que ce légume fait partie de notre

le poireau tout ce qu il faut savoir mon marché - Aug 03 2022

web partager on sait que le poireau est faible en calories puisqu il renferme 28 kcal pour 100 g ce légume est bon pour notre santé pour découvrir toutes les qualités de ce produit poursuivez votre lecture les poireaux comment les sélectionner