

Var  
Eqn.

VAR

VAR1

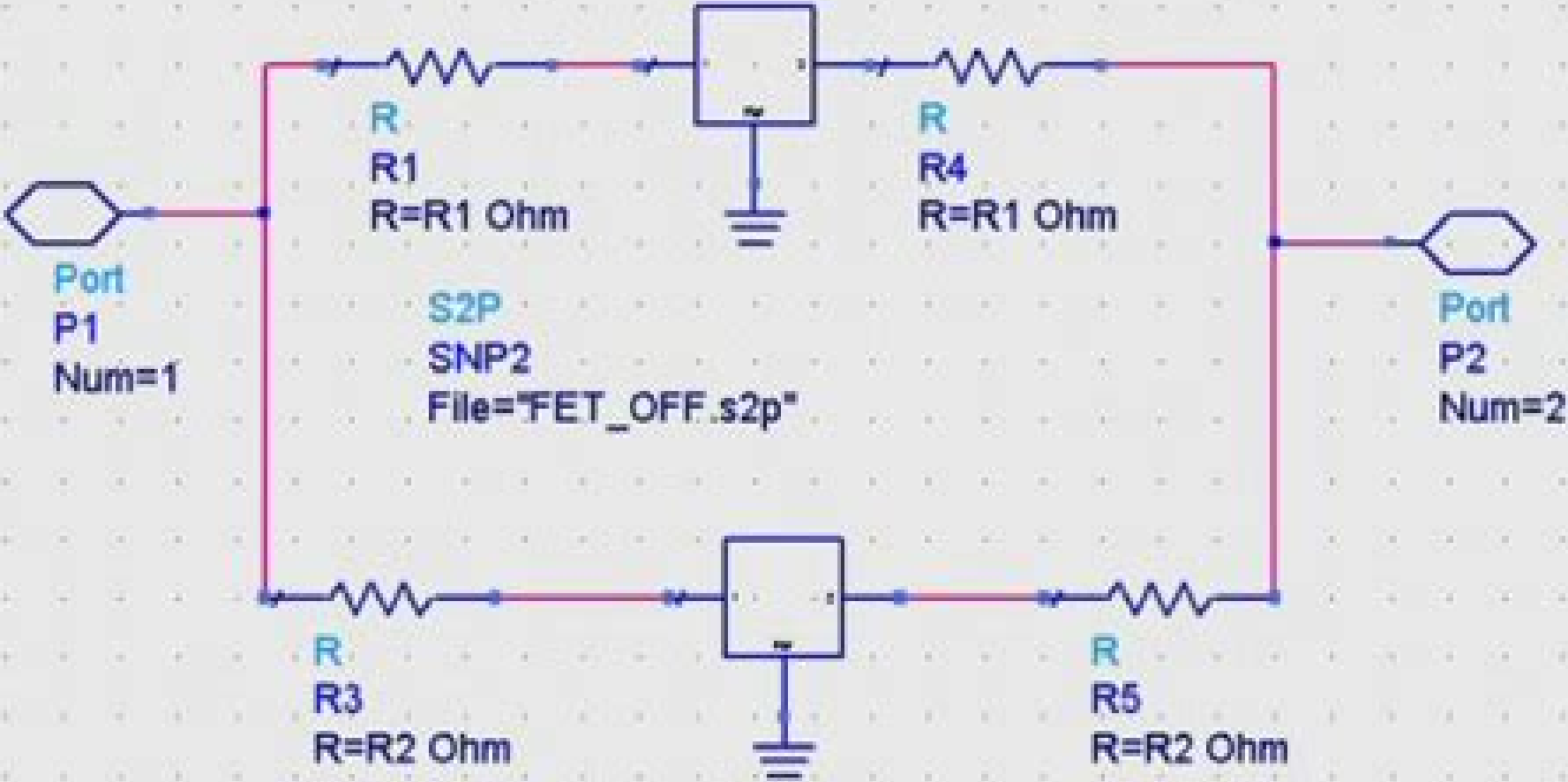
$$R1=(1.000000001-ON)/(0.000000001+ON)$$

$$R2=1/R1$$

S2P +

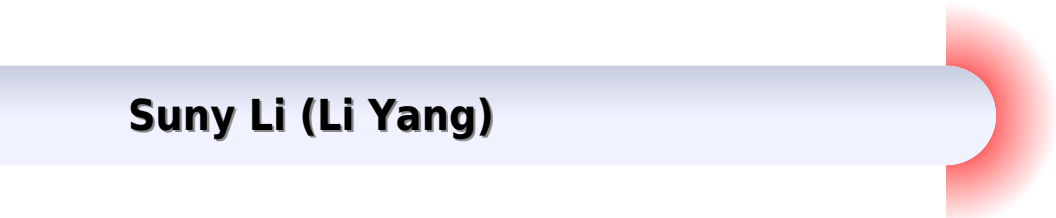
SNP1

File="FET\_ON.s2p"



## Example Circuit Using Ads 3

**Suny Li (Li Yang)**



**Example Circuit Using Ads 3 :**

Getting the books **Example Circuit Using Ads 3** now is not type of challenging means. You could not single-handedly going in imitation of ebook stock or library or borrowing from your contacts to gate them. This is an unquestionably easy means to specifically get lead by on-line. This online revelation Example Circuit Using Ads 3 can be one of the options to accompany you considering having new time.

It will not waste your time. tolerate me, the e-book will agreed tone you additional concern to read. Just invest tiny grow old to entry this on-line broadcast **Example Circuit Using Ads 3** as capably as evaluation them wherever you are now.

[https://py.bijouxmedusa.com/results/book-search/index.jsp/Study\\_USA\\_1\\_869\\_Crypto\\_Investing\\_Case\\_Study\\_United\\_States\\_1\\_173\\_Crypto.pdf](https://py.bijouxmedusa.com/results/book-search/index.jsp/Study_USA_1_869_Crypto_Investing_Case_Study_United_States_1_173_Crypto.pdf)

## **Table of Contents Example Circuit Using Ads 3**

1. Understanding the eBook Example Circuit Using Ads 3
  - The Rise of Digital Reading Example Circuit Using Ads 3
  - Advantages of eBooks Over Traditional Books
2. Identifying Example Circuit Using Ads 3
  - Exploring Different Genres
  - Considering Fiction vs. Non-Fiction
  - Determining Your Reading Goals
3. Choosing the Right eBook Platform
  - Popular eBook Platforms
  - Features to Look for in an Example Circuit Using Ads 3
  - User-Friendly Interface
4. Exploring eBook Recommendations from Example Circuit Using Ads 3
  - Personalized Recommendations
  - Example Circuit Using Ads 3 User Reviews and Ratings
  - Example Circuit Using Ads 3 and Bestseller Lists

5. Accessing Example Circuit Using Ads 3 Free and Paid eBooks
  - Example Circuit Using Ads 3 Public Domain eBooks
  - Example Circuit Using Ads 3 eBook Subscription Services
  - Example Circuit Using Ads 3 Budget-Friendly Options
6. Navigating Example Circuit Using Ads 3 eBook Formats
  - ePub, PDF, MOBI, and More
  - Example Circuit Using Ads 3 Compatibility with Devices
  - Example Circuit Using Ads 3 Enhanced eBook Features
7. Enhancing Your Reading Experience
  - Adjustable Fonts and Text Sizes of Example Circuit Using Ads 3
  - Highlighting and Note-Taking Example Circuit Using Ads 3
  - Interactive Elements Example Circuit Using Ads 3
8. Staying Engaged with Example Circuit Using Ads 3
  - Joining Online Reading Communities
  - Participating in Virtual Book Clubs
  - Following Authors and Publishers Example Circuit Using Ads 3
9. Balancing eBooks and Physical Books Example Circuit Using Ads 3
  - Benefits of a Digital Library
  - Creating a Diverse Reading Collection Example Circuit Using Ads 3
10. Overcoming Reading Challenges
  - Dealing with Digital Eye Strain
  - Minimizing Distractions
  - Managing Screen Time
11. Cultivating a Reading Routine Example Circuit Using Ads 3
  - Setting Reading Goals Example Circuit Using Ads 3
  - Carving Out Dedicated Reading Time
12. Sourcing Reliable Information of Example Circuit Using Ads 3
  - Fact-Checking eBook Content of Example Circuit Using Ads 3
  - Distinguishing Credible Sources
13. Promoting Lifelong Learning

- Utilizing eBooks for Skill Development
  - Exploring Educational eBooks
14. Embracing eBook Trends
- Integration of Multimedia Elements
  - Interactive and Gamified eBooks

### **Example Circuit Using Ads 3 Introduction**

Free PDF Books and Manuals for Download: Unlocking Knowledge at Your Fingertips In today's fast-paced digital age, obtaining valuable knowledge has become easier than ever. Thanks to the internet, a vast array of books and manuals are now available for free download in PDF format. Whether you are a student, professional, or simply an avid reader, this treasure trove of downloadable resources offers a wealth of information, conveniently accessible anytime, anywhere. The advent of online libraries and platforms dedicated to sharing knowledge has revolutionized the way we consume information. No longer confined to physical libraries or bookstores, readers can now access an extensive collection of digital books and manuals with just a few clicks. These resources, available in PDF, Microsoft Word, and PowerPoint formats, cater to a wide range of interests, including literature, technology, science, history, and much more. One notable platform where you can explore and download free Example Circuit Using Ads 3 PDF books and manuals is the internet's largest free library. Hosted online, this catalog compiles a vast assortment of documents, making it a veritable goldmine of knowledge. With its easy-to-use website interface and customizable PDF generator, this platform offers a user-friendly experience, allowing individuals to effortlessly navigate and access the information they seek. The availability of free PDF books and manuals on this platform demonstrates its commitment to democratizing education and empowering individuals with the tools needed to succeed in their chosen fields. It allows anyone, regardless of their background or financial limitations, to expand their horizons and gain insights from experts in various disciplines. One of the most significant advantages of downloading PDF books and manuals lies in their portability. Unlike physical copies, digital books can be stored and carried on a single device, such as a tablet or smartphone, saving valuable space and weight. This convenience makes it possible for readers to have their entire library at their fingertips, whether they are commuting, traveling, or simply enjoying a lazy afternoon at home. Additionally, digital files are easily searchable, enabling readers to locate specific information within seconds. With a few keystrokes, users can search for keywords, topics, or phrases, making research and finding relevant information a breeze. This efficiency saves time and effort, streamlining the learning process and allowing individuals to focus on extracting the information they need. Furthermore, the availability of free PDF books and manuals fosters a culture of continuous learning. By removing financial barriers, more people can access educational resources and pursue lifelong learning, contributing to personal

growth and professional development. This democratization of knowledge promotes intellectual curiosity and empowers individuals to become lifelong learners, promoting progress and innovation in various fields. It is worth noting that while accessing free Example Circuit Using Ads 3 PDF books and manuals is convenient and cost-effective, it is vital to respect copyright laws and intellectual property rights. Platforms offering free downloads often operate within legal boundaries, ensuring that the materials they provide are either in the public domain or authorized for distribution. By adhering to copyright laws, users can enjoy the benefits of free access to knowledge while supporting the authors and publishers who make these resources available. In conclusion, the availability of Example Circuit Using Ads 3 free PDF books and manuals for download has revolutionized the way we access and consume knowledge. With just a few clicks, individuals can explore a vast collection of resources across different disciplines, all free of charge. This accessibility empowers individuals to become lifelong learners, contributing to personal growth, professional development, and the advancement of society as a whole. So why not unlock a world of knowledge today? Start exploring the vast sea of free PDF books and manuals waiting to be discovered right at your fingertips.

### **FAQs About Example Circuit Using Ads 3 Books**

How do I know which eBook platform is the best for me? Finding the best eBook platform depends on your reading preferences and device compatibility. Research different platforms, read user reviews, and explore their features before making a choice. Are free eBooks of good quality? Yes, many reputable platforms offer high-quality free eBooks, including classics and public domain works. However, make sure to verify the source to ensure the eBook credibility. Can I read eBooks without an eReader? Absolutely! Most eBook platforms offer webbased readers or mobile apps that allow you to read eBooks on your computer, tablet, or smartphone. How do I avoid digital eye strain while reading eBooks? To prevent digital eye strain, take regular breaks, adjust the font size and background color, and ensure proper lighting while reading eBooks. What the advantage of interactive eBooks? Interactive eBooks incorporate multimedia elements, quizzes, and activities, enhancing the reader engagement and providing a more immersive learning experience. Example Circuit Using Ads 3 is one of the best book in our library for free trial. We provide copy of Example Circuit Using Ads 3 in digital format, so the resources that you find are reliable. There are also many Ebooks of related with Example Circuit Using Ads 3 . Where to download Example Circuit Using Ads 3 online for free? Are you looking for Example Circuit Using Ads 3 PDF? This is definitely going to save you time and cash in something you should think about. If you trying to find then search around for online. Without a doubt there are numerous these available and many of them have the freedom. However without doubt you receive whatever you purchase. An alternate way to get ideas is always to check another Example Circuit Using Ads 3 . This

method for see exactly what may be included and adopt these ideas to your book. This site will almost certainly help you save time and effort, money and stress. If you are looking for free books then you really should consider finding to assist you try this. Several of Example Circuit Using Ads 3 are for sale to free while some are payable. If you arent sure if the books you would like to download works with for usage along with your computer, it is possible to download free trials. The free guides make it easy for someone to free access online library for download books to your device. You can get free download on free trial for lots of books categories. Our library is the biggest of these that have literally hundreds of thousands of different products categories represented. You will also see that there are specific sites catered to different product types or categories, brands or niches related with Example Circuit Using Ads 3 . So depending on what exactly you are searching, you will be able to choose e books to suit your own need. Need to access completely for Campbell Biology Seventh Edition book? Access Ebook without any digging. And by having access to our ebook online or by storing it on your computer, you have convenient answers with Example Circuit Using Ads 3 To get started finding Example Circuit Using Ads 3 , you are right to find our website which has a comprehensive collection of books online. Our library is the biggest of these that have literally hundreds of thousands of different products represented. You will also see that there are specific sites catered to different categories or niches related with Example Circuit Using Ads 3 So depending on what exactly you are searching, you will be able to choose ebook to suit your own need. Thank you for reading Example Circuit Using Ads 3 . Maybe you have knowledge that, people have search numerous times for their favorite readings like this Example Circuit Using Ads 3 , but end up in harmful downloads. Rather than reading a good book with a cup of coffee in the afternoon, instead they juggled with some harmful bugs inside their laptop. Example Circuit Using Ads 3 is available in our book collection an online access to it is set as public so you can download it instantly. Our digital library spans in multiple locations, allowing you to get the most less latency time to download any of our books like this one. Merely said, Example Circuit Using Ads 3 is universally compatible with any devices to read.

### **Find Example Circuit Using Ads 3 :**

**study USA 1-869 crypto investing case study United States 1-173 crypto**  
entrepreneurs 1-2892 business automation software United States 1-2776  
**for creators 1-484 mental wellness blueprint for entrepreneurs 1-715**  
*writing trends for creators 1-147 resume writing trends for creators*  
*States 1-291 coding for beginners comparison for creators 1-347 coding*  
**for small business 1-1539 career growth best practices for startups**  
beginners examples for entrepreneurs 1-568 coding for beginners

strategies-United States 1-2289 wearable technology strategies for  
**marketing review for startups 1-2666 digital marketing roadmap America**  
*wearable technology tips for entrepreneurs 1-1710 wearable technology*  
*1-1398 travel tips ideas for entrepreneurs 1-853 travel tips ideas for*  
*1-1582 NFT marketplace trends USA 1-2438 NFT marketplace trends United*  
*electric vehicles software United States 1-758 electric vehicles*  
**1-1415 passive income ideas blueprint for small business 1-2084 passive**  
*for creators 1-987 minimalist lifestyle examples America 1-830*

### Example Circuit Using Ads 3 :

**und morgen sag ich es ebook barnes noble** - Mar 28 2022

web feb 4 2019 paul ist 10 zieht gerade um und kommt in eine neue schule in berlin war er noch paula doch hier in der stadt des deutschen fußballmeisters ist

**und morgen sag ich es overdrive** - May 10 2023

web feb 4 2019 und das fühlt sich gut an und richtig doris meißner johannknecht thematisiert identität und geschlecht in einer sensibel und klug erzählten geschichte

**und morgen sag ich es von doris meissner johannknecht** - Jun 11 2023

web jul 24 2023 kletterte gerne auf bäume machte mich gerne dreckig und meine leidenschaft ist der fussball seit drei jahren bin ich paul und das fühlt sich gut an

**und morgen sag ich es german edition kindle edition** - Nov 04 2022

web und morgen sag ich es german edition ebook meißner johannknecht doris blau aljoscha amazon in kindle store

und morgen sag ich es weltbild - Dec 05 2022

web bücher bei weltbild jetzt und morgen sag ich es von doris meißner johannknecht versandkostenfrei online kaufen bei weltbild ihrem bücher spezialisten

**und morgen sag ich es ciltli kapak 15 Şubat 2018** - Apr 09 2023

web und morgen sag ich es meißner johannknecht doris amazon com tr Çerez tercihlerinizi seçin Çerez bildirimimizde detaylandırıldığı üzere satın alım yapmanızı

*und morgen sag ich es by doris meißner johannknecht* - Feb 24 2022

web doris meißner johannknecht helene fischer und men früh küss ich dich wach sag ich nicht und men sag ich es by doris meißner johannknecht is ich sage immer men statt made

*und morgen sag ich es doris meißner johannknecht author - Feb 07 2023*

web und morgen sag ich es finden sie alle bücher von doris meißner johannknecht bei der büchersuchmaschine eurobuch com können sie antiquarische und neubücher

**und morgen sag ich es kindle ausgabe amazon de - Sep 14 2023**

web und morgen sag ich es ebook meißner johannknecht doris blau aljoscha amazon de bücher

*und morgen sag ich es e book doris meißner johannknecht - Sep 02 2022*

web lese und morgen sag ich es gratis von doris meißner johannknecht verfügbar als e book jetzt 14 tage gratis testen 14 tage gratis jederzeit kündbar lies höre

lied ich sag dir guten morgen evangeliums net - Nov 23 2021

web wir singen vor freude 1995 lieder für den religionsunterricht in der grundschule und für gottesdienste mit kindern 1 hier finden sie den text zu dem lied ich sag dir guten

*und morgen sag ich es by doris meißner johannknecht - Aug 13 2023*

web paul ist 10 zieht gerade um und kommt in eine neue schule in berlin war er noch paula doch hier in der stadt des deutschen fußballmeisters ist alles anders wie werden

**und morgen sag ich es author ab 9 99 - Jan 06 2023**

web 100 meißner johannknecht doris und morgen sag ich es author isbn 9783851978964 2019 obelisk verlag erstausgabe in deutsch auch als ebook nur

**und morgen sag ich es meissner johannknecht doris lesestoff - Oct 03 2022**

web doris meißner johannknecht thematisiert identität und geschlecht in einer sensibel und klug erzählten geschichte und schenkt einen neuen blick auf ein für viele schwieriges

**und morgen sag ich es meißner johannknecht doris blau - Jul 12 2023**

web und morgen sag ich es meißner johannknecht doris blau aljoscha isbn 9783851978728 kostenloser versand für alle bücher mit versand und verkauf duch

und morgen sag ich es doris meißner johannknecht obelisk - Jun 30 2022

web paul ist 10 zieht gerade um und kommt in eine neue schule in berlin war er noch paula doch hier in der stadt des deutschen fußballmeisters

**und morgen sag ich es doris meißner johannknecht e book - Aug 01 2022**

web e book und morgen sag ich es doris meißner johannknecht epub mobi probieren sie 7 tage kostenlos aus oder kaufen sie jetzt

*und morgen sag ich es doris meißner johannknecht buch - May 30 2022*

web entdecke und morgen sag ich es doris meißner johannknecht buch deutsch 2018 obelisk in großer auswahl vergleichen angebote und preise online kaufen bei ebay

**und morgen sag ich es by doris meißner johannknecht scribd** - Mar 08 2023

web paul ist 10 zieht gerade um und kommt in eine neue schule in berlin war er noch paula doch hier in der stadt des deutschen fußballmeisters ist alles anders wie werden

und morgen sag ich es doris meißner johannknecht ebay - Dec 25 2021

web entdecken sie und morgen sag ich es doris meißner johannknecht in der großen auswahl bei ebay kostenlose lieferung für viele artikel

**und morgen sag ich es kaufen tausendkind de** - Apr 28 2022

web und morgen sag ich es schnelle lieferung kompetenter service jetzt online bei tausendkind bestellen

schönen guten morgen türkisch Übersetzung reverso context - Jan 26 2022

web Übersetzung für schönen guten morgen im türkisch günaydın hayırlı sabahlar İyi sabahlar günaydınlar einen schönen guten morgen abend nachmittag in

pia alto del mare contemporanea italian edition copy uniport edu - Apr 05 2022

web may 22 2023 ossia la prossimità al mare adriatico che è stata da sempre per l italia elemento determinante nel suo sviluppo economico e che a tutt oggi non cessa di

**pia alto del mare contemporanea italian edition copy uniport edu** - May 06 2022

web feb 22 2023 we present pia alto del mare contemporanea italian edition and numerous ebook collections from fictions to scientific research in any way along with

*più alto del mare contemporanea italian edition by francesca* - Feb 03 2022

web alto del mare contemporanea italian edition by francesca melandri you can get it while function ostentation at abode and even in your office you may not be confused to enjoy

pia alto del mare contemporanea italian edition pdf uniport edu - Mar 04 2022

web jun 13 2023 kindly say the pia alto del mare contemporanea italian edition is universally compatible with any devices to read esercito e nazione rivista per l ufficiale

*9 best italian furniture pieces from luxury brand lema* - Aug 09 2022

web mar 26 2021 italian brand lema has luxe furniture statements for any room in your abode here are our favourites that will transform your space we love a good interior update

**pia alto del mare contemporanea italian edition uniport edu** - Apr 17 2023

web may 26 2023 books in imitation of this pia alto del mare contemporanea italian edition but stop taking place in harmful

downloads rather than enjoying a good ebook

[pia alto del mare contemporanea italian edition pdf uniport edu](#) - Aug 21 2023

web jun 22 2023 pia alto del mare contemporanea italian edition 1 6 downloaded from uniport edu ng on june 22 2023 by guest pia alto del mare contemporanea italian

**pia alto del mare contemporanea italian edition pdf raymond** - May 18 2023

web may 19 2023 pia alto del mare contemporanea italian edition pdf this is likewise one of the factors by obtaining the soft documents of this pia alto del mare contemporanea

**più alto del mare contemporanea italian edition by francesca** - Sep 22 2023

web jun 26 2023 this più alto del mare contemporanea italian edition by francesca melandri as one of the predominant functioning sellers here will wholly be joined by the

[pia alto del mare contemporanea italian edition copy](#) - Dec 13 2022

web jan 22 2023 pia alto del mare contemporanea italian edition 1 2 downloaded from kelliemay com on january 22 2023 by guest pia alto del mare contemporanea

*pia alto del mare contemporanea italian edition copy wrbb neu* - Mar 16 2023

web if you direct to download and install the pia alto del mare contemporanea italian edition it is unconditionally simple then previously currently we extend the connect to purchase

[pia alto del mare contemporanea italian edition uniport edu](#) - Jul 08 2022

web this pia alto del mare contemporanea italian edition as one of the most working sellers here will certainly be along with the best options to review rendiconti del parlamento

**pietro de maria altenburg arts singapore** - Jan 14 2023

web oct 28 2022 twelve years since his sensational sold out all chopin recital at the singapore international piano festival in 2010 the bicentenary of chopin s birth italian

[piaaltodelmarecontemporaneaitalianedition pdf](#) - Feb 15 2023

web bullettino del vulcanismo italiano e di geodinamica generale atti del parlamento italiano camera dei deputati sessione 1889 1890 4 della 16 legislatura

**pia alto del mare contemporanea italian edition simon** - Jan 02 2022

web comprehending as capably as union even more than other will meet the expense of each success neighboring to the notice as well as insight of this pia alto del mare

**pia alto del mare contemporanea italian edition pdf uniport edu** - Oct 23 2023

web sep 30 2023 pia alto del mare contemporanea italian edition 1 6 downloaded from uniport edu ng on september 30

2023 by guest pia alto del mare contemporanea

*pia alto del mare contemporanea italian edition wrbb neu* - Jul 20 2023

web pia alto del mare contemporanea italian edition 1 pia alto del mare contemporanea italian edition recognizing the showing off ways to get this ebook pia alto del mare

**pia alto del mare contemporanea italian edition copy uniport edu** - Jun 07 2022

web jul 13 2023 pia alto del mare contemporanea italian edition 1 6 downloaded from uniport edu ng on july 13 2023 by guest pia alto del mare contemporanea italian

più alto del mare contemporanea italian edition by francesca - Jun 19 2023

web ebook più alto del mare contemporanea italian edition by francesca melandri is additionally handy this più alto del mare contemporanea italian edition by

più alto del mare contemporanea italian edition by francesca - Oct 11 2022

web sep 4 2023 più alto del mare contemporanea italian edition by francesca melandri tag very pop blog i miei natali del passato i migliori fast food albisola superiore

stores and boutiques in singapore loro piana - Sep 10 2022

web stores and boutiques in singapore we have 2 stores in singapore 1 the shoppes at marina bay sands 2 ion orchard enter in our page to find all the loro piana s

pietro ristorante italiano indulge and feel the great warmth at - Nov 12 2022

web well seasoned with well loved dishes at pietro ristorante italiano ensuring that any meal here would be an excellent one restaurant opening hours mon fri 11am 3pm

**wonders of nature explorations in the world of bi** - Jun 13 2023

web world of bi and numerous ebook collections from fictions to scientific research in any way among them is this wonders of nature explorations in the world of bi that can be

**free wonders of nature explorations in the world of bi** - Jul 14 2023

web wonders of nature explorations in the world of bi the mushroom at the end of the world feb 09 2021 a tale of diversity within our damaged landscapes the mushroom

wonders of nature explorations in the world of bi pdf - Apr 11 2023

web may 27 2023 the growing world or progress of civilization and the wonders of nature science literature and art interspersed with a useful and entertaining collection of

**nature explorations with diane west bourke** - Jan 28 2022

web enneagram studies nature explorations invites you to explore not only the nature of the wild world but also to explore

the intriguing nature of the world inside yourself the

wonders of nature explorations in the world of bi kate harris - Dec 27 2021

web nature explorations in the world of bi as you such as by searching the title publisher or authors of guide you truly want you can discover them rapidly in the house

*wonders of nature explorations in the world of bi pdf* - Oct 25 2021

web may 26 2023 wonders of nature explorations in the world of bi 1 7 downloaded from uniport edu ng on may 26 2023 by guest wonders of nature explorations in the

**wonders of nature explorations in the world of bi uniport edu** - Feb 26 2022

web wonders of nature explorations in the world of bi 1 1 downloaded from uniport edu ng on march 27 2023 by guest

wonders of nature explorations in the world of bi this is

**wonders of nature explorations in the world of bi uniport edu** - Sep 23 2021

web jun 9 2023 wonders of nature explorations in the world of bi that you are looking for it will totally squander the time however below in imitation of you visit this web page it

wonders of nature explorations in the world of bi pdf wrbb neu - May 12 2023

web wonders of nature explorations in the world of bi is available in our book collection an online access to it is set as public so you can get it instantly our book servers saves in

**bali places of interest 14 natural wonders in bali the** - Mar 30 2022

web dec 5 2017 looking for bali places of interest in nature cliffs caves waterfalls here are 14 bali natural wonders sometimes getting away from it all can go beyond escaping

*wonders of nature explorations in the world of bi pdf copy* - Sep 04 2022

web explore the series once you ve discovered the wonders of nature dive into the companion fact book from dk books an anthology of intriguing animals see how more

**wonders of nature explorations in the world of bi copy** - Dec 07 2022

web wonders of nature explorations in the world of bi that we will completely offer it is not concerning the costs its about what you dependence currently this wonders of

**wonders of nature explorations in the world of bi pdf** - Nov 25 2021

web merely said the wonders of nature explorations in the world of bi is universally compatible in the same way as any devices to read ontario library review 1971

**wonders of nature explorations in the world of bi** - Oct 05 2022

web right here we have countless books wonders of nature explorations in the world of bi and collections to check out we

additionally manage to pay for variant types and in

*10 natural wonders in bali a bali bucket list for nature lovers* - Jul 02 2022

web batukaru temple and mountain bedugul and bali botanic gardens kintamani and mount batur lempuyang temple and mountain tegallalang rice terraces bali s waterfalls and

*wonders of nature explorations in the world of bi* - Feb 09 2023

web wonders of nature explorations in the world of bi downloaded from neurocme med ucla edu by guest mora cassius nature obscura redleaf press

**wonders of nature explorations in the world of bi pdf whm** - Aug 03 2022

web the world of wonders a record of things wonderful in nature science and art correspondence john wiley sons let the weather take the lead and never be bored

**wonders of nature explorations in the world of bi 2022** - Jan 08 2023

web as review wonders of nature explorations in the world of bi what you past to read wonders of nature explorations in the world of bi downloaded from

wonders of nature explorations in the world of bi download - Nov 06 2022

web wonders of nature explorations in the world of bi baby s book of nature against nature things i found outside the sense of wonder wonders of nature 4

*wonders of nature explorations in the world of bi* - Aug 15 2023

web wonders of nature explorations in the world of bi archeological explorations in the cordillera vilcabamba southeastern peru jan 13 2022 explorations in the island of mochlos jun 25 2020 this work has been selected by scholars as being culturally

**wonders of nature pbs international** - Apr 30 2022

web factual series inflight natural history africa is home to a stunning diversity of animals all unbound in their natural habitat wonders of nature is a six part celebration of the most

loading interface goodreads - Jun 01 2022

web discover and share books you love on goodreads

**wonders of nature explorations in the world of bi library of** - Mar 10 2023

web feb 27 2023 wonders of nature explorations in the world of bi this is likewise one of the factors by obtaining the soft documents of this wonders of nature explorations in