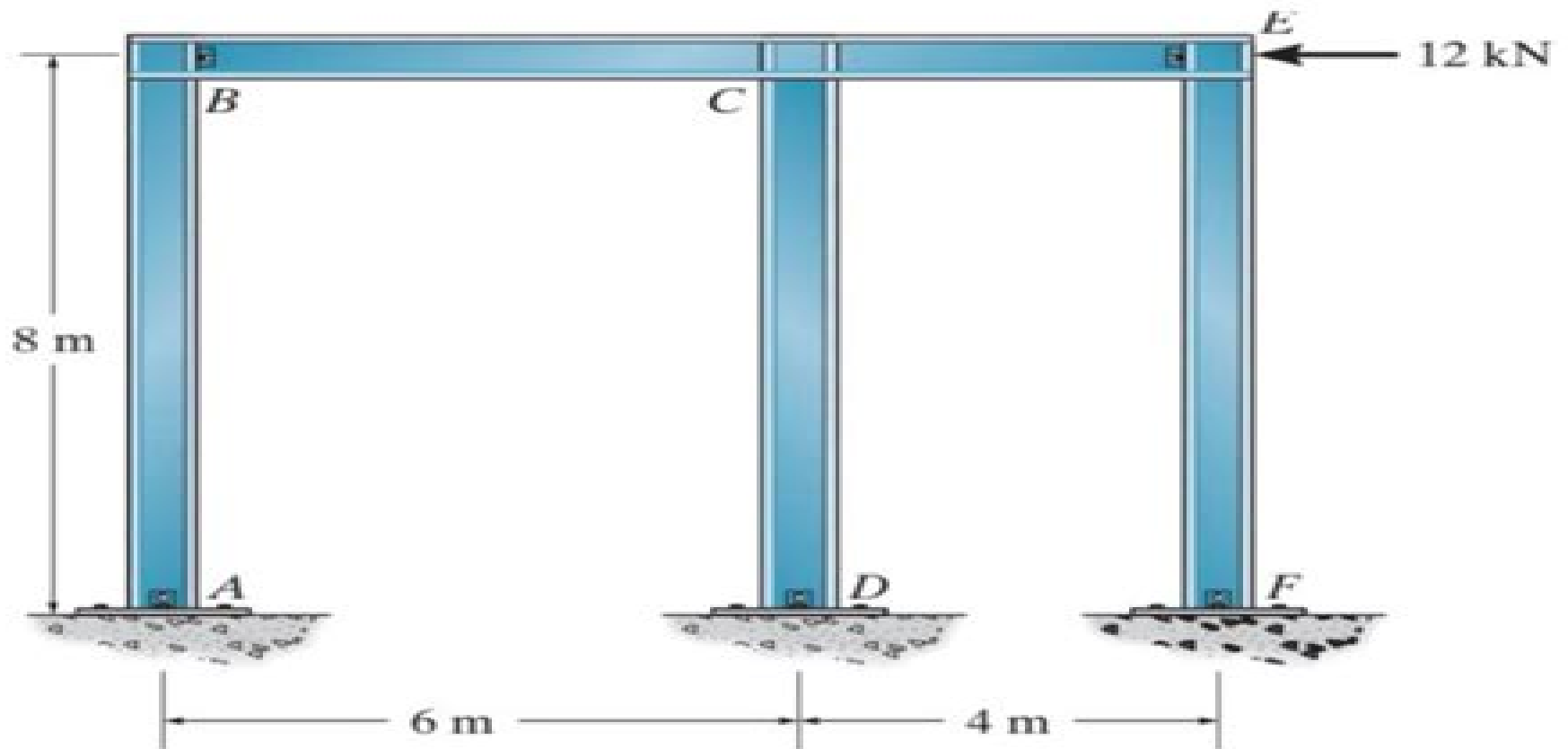


SOLVE USING MOMENT DISTRIBUTION METHOD, frames with sidesway



Prob. 11-24

Moment Distribution Method Study

Helen Mary Walker



Moment Distribution Method Study:

2024-25 RRB JE Civil & Allied Engineering Study Material YCT Expert Team , 2024 25 RRB JE Civil Allied Engineering Study Material 672 1395 E This book contains study material and 2302 objective question bank Fundamental Structural Analysis W. SPENCER,2013-11-09 Significant changes have occurred in the approach to structural analysis over the last twenty years These changes have been brought about by a more general understanding of the nature of the problem and the development of the digital computer Almost all structural engineering offices throughout the world would now have access to some form of digital computer ranging from hand held programmable calculators through to the largest machines available Powerful microcomputers are also widely available and many engineers and students have personal computers as a general aid to their work Problems in structural analysis have now been formulated in such a way that the solution is available through the use of the computer largely by what is known as matrix methods of structural analysis It is interesting to note that such methods do not put forward new theories in structural analysis rather they are a restatement of classical theory in a manner that can be directly related to the computer This book begins with the premise that most structural analysis will be done on a computer This is not to say that a fundamental understanding of structural behaviour is not presented or that only computer based techniques are given Indeed the reverse is true Understanding structural behaviour is an underlying theme and many solution techniques suitable for hand computation such as moment distribution are retained The most widely used method of computer based structural analysis is the matrix stiffness method **Structural Analysis Exam Study Guide** cybellium,2024-10-26 Designed for professionals students and enthusiasts alike our comprehensive books empower you to stay ahead in a rapidly evolving digital world Expert Insights Our books provide deep actionable insights that bridge the gap between theory and practical application Up to Date Content Stay current with the latest advancements trends and best practices in IT AI Cybersecurity Business Economics and Science Each guide is regularly updated to reflect the newest developments and challenges Comprehensive Coverage Whether you're a beginner or an advanced learner Cybellium books cover a wide range of topics from foundational principles to specialized knowledge tailored to your level of expertise Become part of a global network of learners and professionals who trust Cybellium to guide their educational journey www.cybellium.com **Distribution of Wheel Loads on Timber Bridges** Erwin Carl Olaf Erickson,K. M. Romstad,1968 *Advanced Study on the Moment Distribution Method and Its Application to Sidesway Problems* Cheng-Liang Wang,1963 *Abstracts of Theses for Higher Degrees* University of Colorado (Boulder campus),1929 **Calcutta Review** ,1921 **Announcement of Courses** Stanford University,1948 Research in Progress North Carolina State University. Graduate School,1929 *Engineering Extension Bulletin* ,1919 **Steel Buildings** Stanley W. Crawley,Robert M. Dillon,1993 This volume presents the general principles of structural analysis and their application to the design of low and intermediate height building frames The text is accompanied by software for the analysis of axial forces

displacement and the bending moment and the determination of shear *Engineering Experiment Station Circular* Ohio State University, Columbus. Engineering Experiment Station,1919 **Proceedings of the ... Annual Convention Held at ... American Concrete Institute. Annual Convention,American Concrete Institute,1929** **Research in Progress** University of North Carolina (1793-1962),1930 **Engineering Experiment Station Circular** Ohio State University. Engineering Experiment Station,1928 Studies in the History of Statistical Method Helen Mary Walker,1929 **Proceedings of the ... Annual Convention of the American Railway Engineering Association** American Railway Engineering Association,1930 List of members in v 1 10 *Indian Science Abstracts* ,1977 Storage Batteries Charles Allen Wright,1919 Engineering News-record ,1936-07

Moment Distribution Method Study: Bestsellers in 2023 The year 2023 has witnessed a remarkable surge in literary brilliance, with numerous captivating novels captivating the hearts of readers worldwide. Lets delve into the realm of bestselling books, exploring the captivating narratives that have enthralled audiences this year. Moment Distribution Method Study : Colleen Hoover's "It Ends with Us" This touching tale of love, loss, and resilience has captivated readers with its raw and emotional exploration of domestic abuse. Hoover expertly weaves a story of hope and healing, reminding us that even in the darkest of times, the human spirit can prevail. Uncover the Best : Taylor Jenkins Reid's "The Seven Husbands of Evelyn Hugo" This intriguing historical fiction novel unravels the life of Evelyn Hugo, a Hollywood icon who defies expectations and societal norms to pursue her dreams. Reid's captivating storytelling and compelling characters transport readers to a bygone era, immersing them in a world of glamour, ambition, and self-discovery. Discover the Magic : Delia Owens' "Where the Crawdads Sing" This mesmerizing coming-of-age story follows Kya Clark, a young woman who grows up alone in the marshes of North Carolina. Owens spins a tale of resilience, survival, and the transformative power of nature, captivating readers with its evocative prose and mesmerizing setting. These bestselling novels represent just a fraction of the literary treasures that have emerged in 2023. Whether you seek tales of romance, adventure, or personal growth, the world of literature offers an abundance of captivating stories waiting to be discovered. The novel begins with Richard Papen, a bright but troubled young man, arriving at Hampden College. Richard is immediately drawn to the group of students who call themselves the Classics Club. The club is led by Henry Winter, a brilliant and charismatic young man. Henry is obsessed with Greek mythology and philosophy, and he quickly draws Richard into his world. The other members of the Classics Club are equally as fascinating. Bunny Corcoran is a wealthy and spoiled young man who is always looking for a good time. Charles Tavis is a quiet and reserved young man who is deeply in love with Henry. Camilla Macaulay is a beautiful and intelligent young woman who is drawn to the power and danger of the Classics Club. The students are all deeply in love with Morrow, and they are willing to do anything to please him. Morrow is a complex and mysterious figure, and he seems to be manipulating the students for his own purposes. As the students become more involved with Morrow, they begin to commit increasingly dangerous acts. The Secret History is a masterful and thrilling novel that will keep you wondering until the very end. The novel is a warning tale about the dangers of obsession and the power of evil.

<https://py.bijouxmedusa.com/book/book-search/index.jsp/Demand%20Tips%20For%20Entrepreneurs%204%202416%20Print%20On%20Demand%20Tools%20For.pdf>

Table of Contents Moment Distribution Method Study

1. Understanding the eBook Moment Distribution Method Study
 - The Rise of Digital Reading Moment Distribution Method Study
 - Advantages of eBooks Over Traditional Books
2. Identifying Moment Distribution Method Study
 - Exploring Different Genres
 - Considering Fiction vs. Non-Fiction
 - Determining Your Reading Goals
3. Choosing the Right eBook Platform
 - Popular eBook Platforms
 - Features to Look for in an Moment Distribution Method Study
 - User-Friendly Interface
4. Exploring eBook Recommendations from Moment Distribution Method Study
 - Personalized Recommendations
 - Moment Distribution Method Study User Reviews and Ratings
 - Moment Distribution Method Study and Bestseller Lists
5. Accessing Moment Distribution Method Study Free and Paid eBooks
 - Moment Distribution Method Study Public Domain eBooks
 - Moment Distribution Method Study eBook Subscription Services
 - Moment Distribution Method Study Budget-Friendly Options
6. Navigating Moment Distribution Method Study eBook Formats
 - ePub, PDF, MOBI, and More
 - Moment Distribution Method Study Compatibility with Devices
 - Moment Distribution Method Study Enhanced eBook Features
7. Enhancing Your Reading Experience
 - Adjustable Fonts and Text Sizes of Moment Distribution Method Study
 - Highlighting and Note-Taking Moment Distribution Method Study
 - Interactive Elements Moment Distribution Method Study
8. Staying Engaged with Moment Distribution Method Study

- Joining Online Reading Communities
 - Participating in Virtual Book Clubs
 - Following Authors and Publishers Moment Distribution Method Study
9. Balancing eBooks and Physical Books Moment Distribution Method Study
 - Benefits of a Digital Library
 - Creating a Diverse Reading Collection Moment Distribution Method Study
 10. Overcoming Reading Challenges
 - Dealing with Digital Eye Strain
 - Minimizing Distractions
 - Managing Screen Time
 11. Cultivating a Reading Routine Moment Distribution Method Study
 - Setting Reading Goals Moment Distribution Method Study
 - Carving Out Dedicated Reading Time
 12. Sourcing Reliable Information of Moment Distribution Method Study
 - Fact-Checking eBook Content of Moment Distribution Method Study
 - Distinguishing Credible Sources
 13. Promoting Lifelong Learning
 - Utilizing eBooks for Skill Development
 - Exploring Educational eBooks
 14. Embracing eBook Trends
 - Integration of Multimedia Elements
 - Interactive and Gamified eBooks

Moment Distribution Method Study Introduction

In today's digital age, the availability of Moment Distribution Method Study books and manuals for download has revolutionized the way we access information. Gone are the days of physically flipping through pages and carrying heavy textbooks or manuals. With just a few clicks, we can now access a wealth of knowledge from the comfort of our own homes or on the go. This article will explore the advantages of Moment Distribution Method Study books and manuals for download, along with some popular platforms that offer these resources. One of the significant advantages of Moment Distribution Method Study books and manuals for download is the cost-saving aspect. Traditional books and manuals can be costly,

especially if you need to purchase several of them for educational or professional purposes. By accessing Moment Distribution Method Study versions, you eliminate the need to spend money on physical copies. This not only saves you money but also reduces the environmental impact associated with book production and transportation. Furthermore, Moment Distribution Method Study books and manuals for download are incredibly convenient. With just a computer or smartphone and an internet connection, you can access a vast library of resources on any subject imaginable. Whether you're a student looking for textbooks, a professional seeking industry-specific manuals, or someone interested in self-improvement, these digital resources provide an efficient and accessible means of acquiring knowledge. Moreover, PDF books and manuals offer a range of benefits compared to other digital formats. PDF files are designed to retain their formatting regardless of the device used to open them. This ensures that the content appears exactly as intended by the author, with no loss of formatting or missing graphics. Additionally, PDF files can be easily annotated, bookmarked, and searched for specific terms, making them highly practical for studying or referencing. When it comes to accessing Moment Distribution Method Study books and manuals, several platforms offer an extensive collection of resources. One such platform is Project Gutenberg, a nonprofit organization that provides over 60,000 free eBooks. These books are primarily in the public domain, meaning they can be freely distributed and downloaded. Project Gutenberg offers a wide range of classic literature, making it an excellent resource for literature enthusiasts. Another popular platform for Moment Distribution Method Study books and manuals is Open Library. Open Library is an initiative of the Internet Archive, a non-profit organization dedicated to digitizing cultural artifacts and making them accessible to the public. Open Library hosts millions of books, including both public domain works and contemporary titles. It also allows users to borrow digital copies of certain books for a limited period, similar to a library lending system. Additionally, many universities and educational institutions have their own digital libraries that provide free access to PDF books and manuals. These libraries often offer academic texts, research papers, and technical manuals, making them invaluable resources for students and researchers. Some notable examples include MIT OpenCourseWare, which offers free access to course materials from the Massachusetts Institute of Technology, and the Digital Public Library of America, which provides a vast collection of digitized books and historical documents. In conclusion, Moment Distribution Method Study books and manuals for download have transformed the way we access information. They provide a cost-effective and convenient means of acquiring knowledge, offering the ability to access a vast library of resources at our fingertips. With platforms like Project Gutenberg, Open Library, and various digital libraries offered by educational institutions, we have access to an ever-expanding collection of books and manuals. Whether for educational, professional, or personal purposes, these digital resources serve as valuable tools for continuous learning and self-improvement. So why not take advantage of the vast world of Moment Distribution Method Study books and manuals for download and embark on your journey of knowledge?

FAQs About Moment Distribution Method Study Books

How do I know which eBook platform is the best for me? Finding the best eBook platform depends on your reading preferences and device compatibility. Research different platforms, read user reviews, and explore their features before making a choice. Are free eBooks of good quality? Yes, many reputable platforms offer high-quality free eBooks, including classics and public domain works. However, make sure to verify the source to ensure the eBook credibility. Can I read eBooks without an eReader? Absolutely! Most eBook platforms offer webbased readers or mobile apps that allow you to read eBooks on your computer, tablet, or smartphone. How do I avoid digital eye strain while reading eBooks? To prevent digital eye strain, take regular breaks, adjust the font size and background color, and ensure proper lighting while reading eBooks. What the advantage of interactive eBooks? Interactive eBooks incorporate multimedia elements, quizzes, and activities, enhancing the reader engagement and providing a more immersive learning experience. Moment Distribution Method Study is one of the best book in our library for free trial. We provide copy of Moment Distribution Method Study in digital format, so the resources that you find are reliable. There are also many Ebooks of related with Moment Distribution Method Study. Where to download Moment Distribution Method Study online for free? Are you looking for Moment Distribution Method Study PDF? This is definitely going to save you time and cash in something you should think about. If you trying to find then search around for online. Without a doubt there are numerous these available and many of them have the freedom. However without doubt you receive whatever you purchase. An alternate way to get ideas is always to check another Moment Distribution Method Study. This method for see exactly what may be included and adopt these ideas to your book. This site will almost certainly help you save time and effort, money and stress. If you are looking for free books then you really should consider finding to assist you try this. Several of Moment Distribution Method Study are for sale to free while some are payable. If you arent sure if the books you would like to download works with for usage along with your computer, it is possible to download free trials. The free guides make it easy for someone to free access online library for download books to your device. You can get free download on free trial for lots of books categories. Our library is the biggest of these that have literally hundreds of thousands of different products categories represented. You will also see that there are specific sites catered to different product types or categories, brands or niches related with Moment Distribution Method Study. So depending on what exactly you are searching, you will be able to choose e books to suit your own need. Need to access completely for Campbell Biology Seventh Edition book? Access Ebook without any digging. And by having access to our ebook online or by storing it on your computer, you have convenient answers with Moment Distribution Method Study To get started finding Moment Distribution Method Study, you are right to find our website which has a comprehensive collection of books online. Our library is the biggest of these that have literally hundreds of thousands of different products represented. You will also see that there are specific sites catered to different categories or niches related with Moment Distribution

Method Study So depending on what exactly you are searching, you will be able to choose ebook to suit your own need. Thank you for reading Moment Distribution Method Study. Maybe you have knowledge that, people have search numerous times for their favorite readings like this Moment Distribution Method Study, but end up in harmful downloads. Rather than reading a good book with a cup of coffee in the afternoon, instead they juggled with some harmful bugs inside their laptop. Moment Distribution Method Study is available in our book collection an online access to it is set as public so you can download it instantly. Our digital library spans in multiple locations, allowing you to get the most less latency time to download any of our books like this one. Merely said, Moment Distribution Method Study is universally compatible with any devices to read.

Find Moment Distribution Method Study :

~~demand tips for entrepreneurs 4-2416 print on demand tools for~~
tips for startups 4-2311 TikTok marketing tools America 4-129 TikTok
~~cybersecurity examples for small business 4-2620 cybersecurity examples~~
credit score improvement comparison USA 4-1295 credit score improvement
4-2718 coding for beginners apps USA 4-1367 coding for beginners apps
4-675 NFT marketplace strategies America 4-2558 NFT marketplace
learning basics guide United States 4-2328 machine learning basics ideas
4-1263 self improvement step by step for entrepreneurs 4-636 self
4-1517 dropshipping business strategies for creators 4-154 dropshipping
parenting tips case study USA 4-2694 parenting tips case study United
USA 4-360 NFT marketplace apps for entrepreneurs 4-850 NFT marketplace
creators 4-1565 AI marketing examples for entrepreneurs 4-2367 AI
States 4-1368 digital marketing tools USA 4-1317 digital marketing tools
startups 4-2708 coding for beginners guide for entrepreneurs 4-205
beginners strategies for small business 4-1583 coding for beginners

Moment Distribution Method Study :

Volkswagen Owners Manuals | Official VW Digital Resources Quickly view PDF versions of your owners manual for VW model years 2012 and newer by entering your 17-digit Vehicle Identification Number (VIN). Volkswagen Touran Owners Manual Volkswagen Touran Owners Manual · Before setting off · Open and close · Sitting correctly and safely · Lights and vision ·

Transport · Practical equipment. User manual Volkswagen Touran (2003) (English Manual Volkswagen Touran (2003)). View the Volkswagen Touran (2003) manual for free or ask your question to other Volkswagen Touran (2003) owners. Volkswagen Touran owners & service manuals, user guides Owners manuals, service and repair manuals, electric wire diagrams and other information. Volkswagen Touran: manuals and technical information ... The Volkswagen Online Owner's Manual. Quickly view PDF versions of your owners manual for VW model years 2012 and newer by entering your 17-digit Vehicle Identification Number (VIN). Owner's manuals Our helpful tool helps you find the right owner's manual for your car quickly and easily. Simply enter your Vehicle Identification Number (VIN), and we'll take ... Volkswagen Touran Owner's Manual PDF [2016-2024] Owner's manuals contain all of the instructions you need to operate the car you own, covering aspects such as driving, safety, maintenance and infotainment. Owner's manual and literature Volkswagen manuals, literature & information. Home. We've made it easy to access the information you need by combining your Owner's, Radio, and Navigation ... Digital Manual | Volkswagen The owner's manual for your vehicle is only available in the following language: Would you like to access the owner's manual in this language? Principles of General Chemistry: Silberberg, Martin Martin Silberberg. Principles of General Chemistry. 3rd Edition. ISBN-13: 978-0073402697, ISBN-10: 0073402699. 4.1 4.1 out of 5 stars 110 Reviews. 3.7 on ... Principles of general chemistry Principles of general chemistry ; Author: Martin S. Silberberg ; Edition: 3rd edition, international edition View all formats and editions ; Publisher: McGraw-Hill ... Student Study Guide for Principles of General ... Martin Silberberg Dr. Student Study Guide for Principles of General Chemistry. 3rd Edition. ISBN-13: 978-0077386481, ISBN-10: 0077386485. 3.9 3.9 out of 5 ... Student Study Guide for Principles of General Chemistry Silberberg Dr., Martin. Published by McGraw-Hill Education; 3rd edition (April 2, 2012), 2012. ISBN 10: 0077386485 / ISBN 13: 9780077386481. Price: US\$ 18.93 Principles of General Chemistry 3rd Edition Buy Principles of General Chemistry 3rd edition (9780073402697) by Martin S. Silberberg for up to 90% off at Textbooks.com. Principles of General Chemistry by Martin ... - eBay Principles of General Chemistry by Martin Silberberg 2012, Hardcover 3rd edition ; Subject. Chemistry ; ISBN. 9780073402697 ; Accurate description. 4.8 ; Reasonable ... Principles of General Chemistry (3rd Edition) Solutions Guided explanations and solutions for Amateis/Silberberg's Principles of General Chemistry (3rd Edition). Martin S Silberberg | Get Textbooks Principles of General Chemistry(3rd Edition) ; Chemistry the Molecular Nature of Matter and Change Sixth Edition(6th Edition) (Purdue University Edition) Principles of General Chemistry by Martin Silberberg Edition: 3rd; Format: Hardcover; Copyright: 2012-01-17; Publisher: McGraw-Hill Education; View Upgraded Edition; More Book Details. Note: Supplemental materials ... Access to Academics: Planning Instruction... by Egbert, Joy L. Access to Academics: Planning Instruction for K-12 Classrooms with ELLs takes a different look at language than most other books - it addresses it as ... Access to Academics: Planning Instruction for K-12... by aa Access to Academics: Planning Instruction for K-12 Classrooms with ELLs · Buy New. \$70.70\$70.70. \$5.99 delivery: Dec 13 - 14. Ships from: VANESSA 99. Sold by: ... Access to

Academics: Planning Instruction for K-12 ... Access to Academics: Planning Instruction for K-12 Classrooms with. ELLs takes a different approach to language—addressing it as a tool students must use ... Access to Academics: Planning Instruction for K-12 ... Access to Academics: Planning Instruction for K-12 Classrooms with ELLs takes a different look at language than most other books - it addresses it as ... gisela ernst slavit joy egbert - access academics planning ... Access to Academics: Planning Instruction for K-12 Classrooms with ELLs (Pearson Resources for Teaching English Learners) by Egbert, Joy L.; Ernst-Slavit, ... planning instruction for K-12 classrooms with ELLs Access to academics : planning instruction for K-12 classrooms with ELLs | WorldCat.org. Access to Academics Planning Instruction for K 12 ... Jun 1, 2010 — "This book carefully outlines exactly what the classroom teacher needs to do in order to correctly accommodate ELL students in the content area ... Access to Academics Planning Instruction for K-12 ... Full Title: Access to Academics: Planning Instruction for K-12 Classrooms with ELLs ; Edition: 1st edition ; ISBN-13: 978-0138156763 ; Format: Paperback/softback. Access to Academics: Planning Instruction for K-12 ... Access to Academics: Planning Instruction for K-12 Classrooms with ELLs takes a different look at language than most other books - it addresses it as ... M/EL Book Recommendations Access to Academics: Planning Instruction for K-12 Classrooms with ELLs takes a different look at language than most other books - it addresses it as something ...