

value.

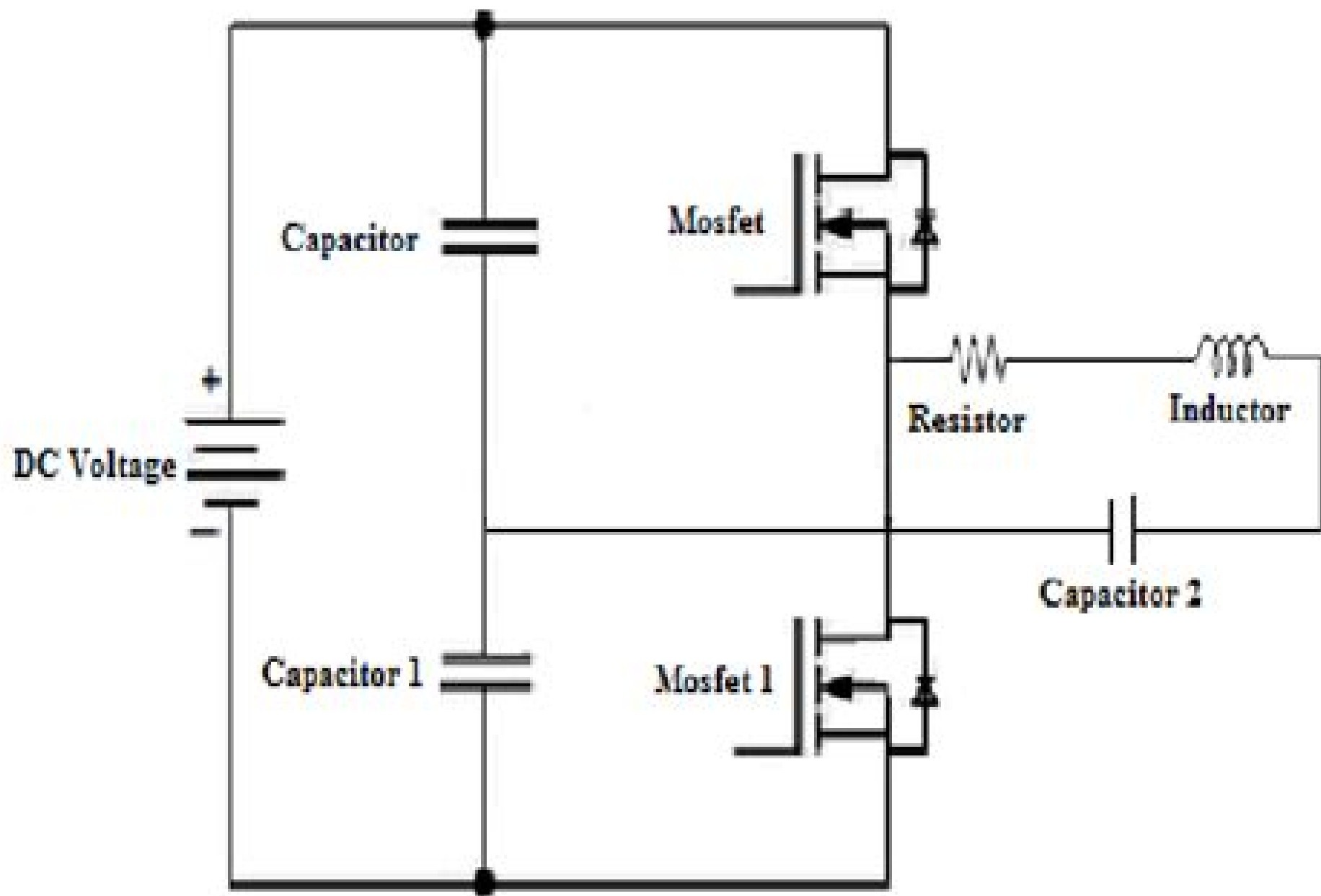


Figure 2: MOSFET based half bridge series resonant circuit

Mosfet Based High Frequency Inverter For Induction Heating

Michael Rajnik



Mosfet Based High Frequency Inverter For Induction Heating:

Thermal Energy Yatish T. Shah,2018-01-12 The book details sources of thermal energy methods of capture and applications It describes the basics of thermal energy including measuring thermal energy laws of thermodynamics that govern its use and transformation modes of thermal energy conventional processes devices and materials and the methods by which it is transferred It covers 8 sources of thermal energy combustion fusion solar fission nuclear geothermal microwave plasma waste heat and thermal energy storage In each case the methods of production and capture and its uses are described in detail It also discusses novel processes and devices used to improve transfer and transformation processes

Recent Advances in Power Electronics and Drives Jitendra Kumar,Premalata Jena,2020-12-03 This book presents select proceedings of the Electric Power and Renewable Energy Conference 2020 EPREC 2020 It provides rigorous discussions case studies and recent developments in the emerging areas of power electronics especially power inverter and converter electrical drives regulated power supplies operation of FACTS HVDC etc The readers would be benefited in enhancing their knowledge and skills in these domain areas The book will be a valuable reference for beginners researchers and professionals interested in advancements in power electronics and drives

Cognitive Informatics and Soft Computing Pradeep Kumar Mallick,Valentina Emilia Balas,Akash Kumar Bhoi,Gyoo-Soo Chae,2020-01-14 The book presents new approaches and methods for solving real world problems It highlights in particular innovative research in the fields of Cognitive Informatics Cognitive Computing Computational Intelligence Advanced Computing and Hybrid Intelligent Models and Applications New algorithms and methods in a variety of fields are presented together with solution based approaches The topics addressed include various theoretical aspects and applications of Computer Science Artificial Intelligence Cybernetics Automation Control Theory and Software Engineering

Reliability of CMOS Analog ICs Hakan Kuntman,Deniz Özenli,Fırat Kaçar,Yasin Özçelep,2025-07-14 This book presents recent advances in reliability investigation of MOS transistors and their applications Theory and experimental results are discussed in order to demonstrate the efficacy of the techniques presented Readers will be enabled to improve their designs in application areas of analog signal processing ranging from very low frequencies at several Hz levels of biomedical signals to RF applications operating at GHz level from EEG signals to cognitive radio and encrypted communications or low noise amplifiers in wireless communications

Wide Bandgap Semiconductors for Power Electronics Peter Wellmann,Noboru Ohtani,Roland Rupp,2021-09-28 Wide Bandgap Semiconductors for Power Electronic A guide to the field of wide bandgap semiconductor technology Wide Bandgap Semiconductors for Power Electronics is a comprehensive and authoritative guide to wide bandgap materials silicon carbide gallium nitride diamond and gallium III oxide With contributions from an international panel of experts the book offers detailed coverage of the growth of these materials their characterization and how they are used in a variety of power electronics devices such as transistors and diodes and in the areas of quantum information and hybrid electric vehicles The

book is filled with the most recent developments in the burgeoning field of wide bandgap semiconductor technology and includes information from cutting edge semiconductor companies as well as material from leading universities and research institutions By taking both scholarly and industrial perspectives the book is designed to be a useful resource for scientists academics and corporate researchers and developers This important book Presents a review of wide bandgap materials and recent developments Links the high potential of wide bandgap semiconductors with the technological implementation capabilities Offers a unique combination of academic and industrial perspectives Meets the demand for a resource that addresses wide bandgap materials in a comprehensive manner Written for materials scientists semiconductor physicists electrical engineers

Wide Bandgap Semiconductors for Power Electronics provides a state of the art guide to the technology and application of SiC and related wide bandgap materials

IECON '90: Signal processing and system control. Factory automation ,1990

Advances in Mechatronics, Automation and Applied Information Technologies Q. Lu,C.G. Zhang,2013-11-21 Selected peer reviewed papers from the 2013 International Conference on Mechatronics and Semiconductor Materials ICMSCM 2013 September 28 29 2013 Xi an China

Proceedings of the ... Annual Conference of the IEEE Industrial Electronics Society IEEE Industrial Electronics Society. Conference,2004

IECON. ,1990

Solar Technologies for the 21st Century Anco S. Blazev,2021-01-07 This book examines solar technologies describes their properties and evaluates the technological potential of each It also reviews the logistics of deploying solar energy as a viable and sustainable way to solve urgent energy environmental and socio economic problems Topics discussed include solar power generation today s solar technologies solar thermal silicon PV thin PV 3 D solar cells nano PV organic solar cells solar successes and failures solar power fields finance and regulations solar markets and solar energy and the environment

Journal of the Institution of Engineers (India). ,2001

Power Electronics and Applications ,1993

Fifth European Conference on Power Electronics and Applications: Electronic power supply systems ,1993

Fifth European Conference on Power Electronics and Applications Institution of Electrical Engineers,1993

Japanese Power Electronics Inverter Technology and Its Impact on the American Air Conditioning Industry Kenji Ushimaru,1990

Japanese Technical Abstracts ,1987

Memoirs of the Faculty of Engineering, Kobe University Kōbe Daigaku. Kōgakubu,1992

Electrical & Electronics Abstracts ,1997

Science Abstracts ,1995

IAS '98 IEEE Industry Applications Society. Meeting,1998

Immerse yourself in the artistry of words with Crafted by is expressive creation, Discover the Artistry of **Mosfet Based High Frequency Inverter For Induction Heating** . This ebook, presented in a PDF format (PDF Size: *), is a masterpiece that goes beyond conventional storytelling. Indulge your senses in prose, poetry, and knowledge. Download now to let the beauty of literature and artistry envelop your mind in a unique and expressive way.

https://py.bijouxmedusa.com/book/detail/Documents/79_2725_SEO_Strategy_Trends_United_States_79_2896_SEO_Strategy_Trends.pdf

Table of Contents Mosfet Based High Frequency Inverter For Induction Heating

1. Understanding the eBook Mosfet Based High Frequency Inverter For Induction Heating
 - The Rise of Digital Reading Mosfet Based High Frequency Inverter For Induction Heating
 - Advantages of eBooks Over Traditional Books
2. Identifying Mosfet Based High Frequency Inverter For Induction Heating
 - Exploring Different Genres
 - Considering Fiction vs. Non-Fiction
 - Determining Your Reading Goals
3. Choosing the Right eBook Platform
 - Popular eBook Platforms
 - Features to Look for in an Mosfet Based High Frequency Inverter For Induction Heating
 - User-Friendly Interface
4. Exploring eBook Recommendations from Mosfet Based High Frequency Inverter For Induction Heating
 - Personalized Recommendations
 - Mosfet Based High Frequency Inverter For Induction Heating User Reviews and Ratings
 - Mosfet Based High Frequency Inverter For Induction Heating and Bestseller Lists
5. Accessing Mosfet Based High Frequency Inverter For Induction Heating Free and Paid eBooks
 - Mosfet Based High Frequency Inverter For Induction Heating Public Domain eBooks
 - Mosfet Based High Frequency Inverter For Induction Heating eBook Subscription Services

- Mosfet Based High Frequency Inverter For Induction Heating Budget-Friendly Options
- 6. Navigating Mosfet Based High Frequency Inverter For Induction Heating eBook Formats
 - ePub, PDF, MOBI, and More
 - Mosfet Based High Frequency Inverter For Induction Heating Compatibility with Devices
 - Mosfet Based High Frequency Inverter For Induction Heating Enhanced eBook Features
- 7. Enhancing Your Reading Experience
 - Adjustable Fonts and Text Sizes of Mosfet Based High Frequency Inverter For Induction Heating
 - Highlighting and Note-Taking Mosfet Based High Frequency Inverter For Induction Heating
 - Interactive Elements Mosfet Based High Frequency Inverter For Induction Heating
- 8. Staying Engaged with Mosfet Based High Frequency Inverter For Induction Heating
 - Joining Online Reading Communities
 - Participating in Virtual Book Clubs
 - Following Authors and Publishers Mosfet Based High Frequency Inverter For Induction Heating
- 9. Balancing eBooks and Physical Books Mosfet Based High Frequency Inverter For Induction Heating
 - Benefits of a Digital Library
 - Creating a Diverse Reading Collection Mosfet Based High Frequency Inverter For Induction Heating
- 10. Overcoming Reading Challenges
 - Dealing with Digital Eye Strain
 - Minimizing Distractions
 - Managing Screen Time
- 11. Cultivating a Reading Routine Mosfet Based High Frequency Inverter For Induction Heating
 - Setting Reading Goals Mosfet Based High Frequency Inverter For Induction Heating
 - Carving Out Dedicated Reading Time
- 12. Sourcing Reliable Information of Mosfet Based High Frequency Inverter For Induction Heating
 - Fact-Checking eBook Content of Mosfet Based High Frequency Inverter For Induction Heating
 - Distinguishing Credible Sources
- 13. Promoting Lifelong Learning
 - Utilizing eBooks for Skill Development
 - Exploring Educational eBooks
- 14. Embracing eBook Trends

- Integration of Multimedia Elements
- Interactive and Gamified eBooks

Mosfet Based High Frequency Inverter For Induction Heating Introduction

Mosfet Based High Frequency Inverter For Induction Heating Offers over 60,000 free eBooks, including many classics that are in the public domain. Open Library: Provides access to over 1 million free eBooks, including classic literature and contemporary works. Mosfet Based High Frequency Inverter For Induction Heating Offers a vast collection of books, some of which are available for free as PDF downloads, particularly older books in the public domain. Mosfet Based High Frequency Inverter For Induction Heating : This website hosts a vast collection of scientific articles, books, and textbooks. While it operates in a legal gray area due to copyright issues, its a popular resource for finding various publications. Internet Archive for Mosfet Based High Frequency Inverter For Induction Heating : Has an extensive collection of digital content, including books, articles, videos, and more. It has a massive library of free downloadable books. Free-eBooks Mosfet Based High Frequency Inverter For Induction Heating Offers a diverse range of free eBooks across various genres. Mosfet Based High Frequency Inverter For Induction Heating Focuses mainly on educational books, textbooks, and business books. It offers free PDF downloads for educational purposes. Mosfet Based High Frequency Inverter For Induction Heating Provides a large selection of free eBooks in different genres, which are available for download in various formats, including PDF. Finding specific Mosfet Based High Frequency Inverter For Induction Heating, especially related to Mosfet Based High Frequency Inverter For Induction Heating, might be challenging as theyre often artistic creations rather than practical blueprints. However, you can explore the following steps to search for or create your own Online Searches: Look for websites, forums, or blogs dedicated to Mosfet Based High Frequency Inverter For Induction Heating, Sometimes enthusiasts share their designs or concepts in PDF format. Books and Magazines Some Mosfet Based High Frequency Inverter For Induction Heating books or magazines might include. Look for these in online stores or libraries. Remember that while Mosfet Based High Frequency Inverter For Induction Heating, sharing copyrighted material without permission is not legal. Always ensure youre either creating your own or obtaining them from legitimate sources that allow sharing and downloading. Library Check if your local library offers eBook lending services. Many libraries have digital catalogs where you can borrow Mosfet Based High Frequency Inverter For Induction Heating eBooks for free, including popular titles. Online Retailers: Websites like Amazon, Google Books, or Apple Books often sell eBooks. Sometimes, authors or publishers offer promotions or free periods for certain books. Authors Website Occasionally, authors provide excerpts or short stories for free on their websites. While this might not be the Mosfet Based High Frequency Inverter For Induction Heating full book , it can give you a taste of the authors writing style. Subscription Services Platforms like Kindle Unlimited or Scribd offer subscription-based access to a

wide range of Mosfet Based High Frequency Inverter For Induction Heating eBooks, including some popular titles.

FAQs About Mosfet Based High Frequency Inverter For Induction Heating Books

How do I know which eBook platform is the best for me? Finding the best eBook platform depends on your reading preferences and device compatibility. Research different platforms, read user reviews, and explore their features before making a choice. Are free eBooks of good quality? Yes, many reputable platforms offer high-quality free eBooks, including classics and public domain works. However, make sure to verify the source to ensure the eBook credibility. Can I read eBooks without an eReader? Absolutely! Most eBook platforms offer web-based readers or mobile apps that allow you to read eBooks on your computer, tablet, or smartphone. How do I avoid digital eye strain while reading eBooks? To prevent digital eye strain, take regular breaks, adjust the font size and background color, and ensure proper lighting while reading eBooks. What the advantage of interactive eBooks? Interactive eBooks incorporate multimedia elements, quizzes, and activities, enhancing the reader engagement and providing a more immersive learning experience. Mosfet Based High Frequency Inverter For Induction Heating is one of the best book in our library for free trial. We provide copy of Mosfet Based High Frequency Inverter For Induction Heating in digital format, so the resources that you find are reliable. There are also many Ebooks of related with Mosfet Based High Frequency Inverter For Induction Heating. Where to download Mosfet Based High Frequency Inverter For Induction Heating online for free? Are you looking for Mosfet Based High Frequency Inverter For Induction Heating PDF? This is definitely going to save you time and cash in something you should think about.

Find Mosfet Based High Frequency Inverter For Induction Heating :

[79-2725 SEO strategy trends United States](#) [79-2896 SEO strategy trends](#)

[vehicles checklist America](#) [79-2864 electric vehicles checklist America](#)

79-533 remote jobs comparison for startups **79-1069 remote jobs**

[79-471 cybersecurity strategies for entrepreneurs](#) [79-2868 cybersecurity](#)

79-1450 cloud computing best practices for creators **79-1007 cloud**

guide USA **79-1669 electric vehicles guide USA** **79-195 electric vehicles**

[entrepreneurs](#) [79-2992 side hustles trends for entrepreneurs](#) [79-163 side](#)

for entrepreneurs **79-1144 productivity hacks trends for small business**

[development tutorial America](#) [79-1484 blockchain development tutorial for](#)

explained for entrepreneurs 79-2060 coding for beginners for beginners
[automation review USA 79-2550 business automation review for small](#)
79-1674 content marketing apps for startups 79-864 content marketing
marketing comparison for small business 79-1252 affiliate marketing
[79-2475 NFT marketplace examples for startups 79-287 NFT marketplace](#)
tips United States 79-1883 NFT marketplace tools for creators 79-1094

Mosfet Based High Frequency Inverter For Induction Heating :

Responsible Driving Chapter 10 Flashcards Study with Quizlet and memorize flashcards containing terms like When you park uphill against the curb on the right of your vehicles front wheels should be, ... Responsible Driving- Chapter 10 Flashcards Study with Quizlet and memorize flashcards containing terms like T-intersection, Four-way intersection, Roundabout and more. Chapter 10 This unit will help you understand these maneuvers in order to become a responsible driver. 173. SPEE. LIMI. 40. Page 2 ... Chapter 10, Lesson 1 - Delsea Nov 19, 2014 — 1. A driver turning left must - right-of-way to any cross traffic and to oncoming traffic. · 2. When you are at an intersection and waiting to ... Chapter #10 Study Guide Answers. False - Intersections are often controlled by stop signs. 3. When approaching an intersection with a 4-way stop, assume that all drivers will... Chapter-10-Study-Guide-Questions - Name Mods Due Date View Chapter-10-Study-Guide-Questions from HEALTH Drivers Ed at Athens Area Hs ... CHAPTER 10 Intersections STUDY GUIDE FOR CHAPTER 10 LESSON 1 Basic ... Chapter 10 - Driving in Rural Areas Consider passing only if you can answer "yes" to all of these questions. The major responsibility for passing safely belongs to the driver who is passing. 10.3 - Study Guide For Chapter 10 Lesson 3 Roundabouts ... Roundabouts move traffic through intersections at a slower and safer pace. 10. All vehicles in a roundabout are required to yield to pedestrians in a crosswalk. Driver Guide - Chapter 10 - Missouri Department of Revenue CHAPTER 10 — BE IN SHAPE TO DRIVE ... These tests will help the officer decide if you should be arrested and have a chemical test of your breath, blood, or urine. PPT - Chapter 10 PowerPoint Presentation, free download Jul 29, 2014 — Chapter 10 . Intersections Railroad Crossings Roundabouts Complex Intersections Interchanges Responsible Driving - Notes and Study Guide. Home | V2i Group - Making Complex Information Easy to ... Globally recognised and multi award winning 3D visualisation and software products for the mining and resources, health and eLearning sectors. V2i: Home V2i offers a full range of customised services in the field of mechanical vibrations, with both theoretical and experimental expertise. Our own experience has ... 1pc USED AM24SS3DGB Step-Servo Motor TESTED ... 1pc USED AM24SS3DGB Step-Servo Motor TESTED #V2IG CH ; Brand. Unbranded ; MPN. Does Not Apply ; Accurate description. 4.9 ; Reasonable shipping cost. 5.0 ; Shipping ... * F A H A D □ (@v2ig) • Instagram photos and videos 181 Followers, 216 Following, 4 Posts - See Instagram

photos and videos from * F A H A D (@v2ig) SILO V2 Silo Venting Filters SILO V2 is a cylindrically shaped Dust Collector for venting pneumatically filled silos. Its stainless steel casing contains vertically mounted cartridge filter ... Is v2ig.com valid e-mail domain - Check-Mail Domain: v2ig.com. Valid: Yes. This domain is valid and should be able to receive e-mail. Tested MX: alt1.aspmx.l.google.com (142.251.111.26). V2IG© (@v2ig_hi) V2IG© (@v2ig_hi) on TikTok | Hi©©©. Watch the latest video from V2IG© (@v2ig_hi). v2IG - Michael Sanford @v2IG. Joined January 2010. 0 Following · 2 Followers · Posts · Replies ... @v2IG. · Sep 20, 2010. Check out this link on the Fogo Channel: http ... Search results for v2ig Your biggest Specialist in Europe for the finest handmade quality swords, katanas & replicas from all your favorite movies, anime, games & much more! V2I Verivolt LLC | Industrial Automation and Controls Order today, ships today. V2I - Voltage Transducer ±10V Input 4 ~ 20mA Output 24VDC DIN Rail from Verivolt LLC. Pricing and Availability on millions of ... Homelite Chainsaw Troubleshooting & Repair Find the most common problems that can cause a Homelite Chainsaw not to work - and the parts & instructions to fix them. Free repair advice! HOMELITE CHAINSAW WONT START - YouTube Homelite Chainsaw won't start Here are the most common reasons your Homelite chainsaw isn't starting - and the parts & instructions to fix the problem yourself. Homelite XL (UT-10515B) Chainsaw Bar/Chain ... Aug 21, 2020 — I may need a more simplified method/video/document on how to troubleshoot the "duckbill" valve and/or general troubleshooting on the oiler - ... Fixing a homelite chainsaw - YouTube Homelite Chainsaw Starts/Stops? Spark Arrestor #638514002 Homelite Chainsaw Disassembly - Chainsaw Repair Help How To Fix a Homelite chainsaw that won't start - YouTube Homelite Chainsaw Won't Start? Spark Plug Replacement #893