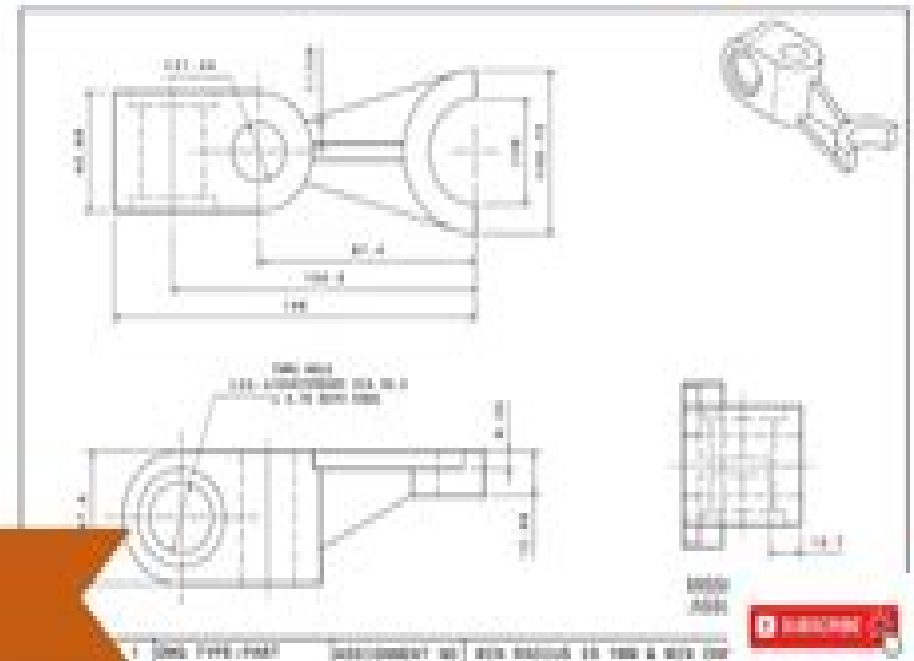


# Creo Tutorial for Beginners



# Creo Basic Tutorial Slideforyou

**Randy Shih**



## **Creo Basic Tutorial Slibforyou:**

**Creo Simulate 6.0 Tutorial** Roger Toogood,2019-06 Creo Simulate 6 0 Tutorial introduces new users to finite element analysis using Creo Simulate and how it can be used to analyze a variety of problems The tutorial lessons cover the major concepts and frequently used commands required to progress from a novice to an intermediate user level The commands are presented in a click by click manner using simple examples and exercises that illustrate a broad range of the analysis types that can be performed In addition to showing the command usage the text will explain why certain commands are being used and where appropriate the relation of commands to the overall Finite Element Analysis FEA philosophy are explained Moreover since error analysis is an important skill considerable time is spent exploring the created models so that users will become comfortable with the debugging phase of modeling This textbook is written for first time FEA users in general and Creo Simulate users in particular After a brief introduction to finite element modeling the tutorial introduces the major concepts behind the use of Creo Simulate to perform Finite Element Analysis of parts These include modes of operation element types design studies analysis sensitivity studies organization and the major steps for setting up a model materials loads constraints analysis type studying convergence of the solution and viewing the results Both 2D and 3D problems are covered This tutorial deals exclusively with operation in integrated mode with Creo Parametric It is suitable for use with both Releases 6 0 of Creo Simulate The tutorials consist of the following 2 lessons on general introductory material 2 lessons introducing the basic operations in Creo Simulate using solid models 4 lessons on model idealizations shells beams and frames plane stress etc 1 lesson on miscellaneous topics 1 lesson on steady and transient thermal analysis *Creo Simulate 5.0 Tutorial* Roger Toogood,2018 Creo Simulate 5 0 Tutorial introduces new users to finite element analysis using Creo Simulate and how it can be used to analyze a variety of problems The tutorial lessons cover the major concepts and frequently used commands required to progress from a novice to an intermediate user level The commands are presented in a click by click manner using simple examples and exercises that illustrate a broad range of the analysis types that can be performed In addition to showing the command usage the text will explain why certain commands are being used and where appropriate the relation of commands to the overall Finite Element Analysis FEA philosophy are explained Moreover since error analysis is an important skill considerable time is spent exploring the created models so that users will become comfortable with the debugging phase of modeling This textbook is written for first time FEA users in general and Creo Simulate users in particular After a brief introduction to finite element modeling the tutorial introduces the major concepts behind the use of Creo Simulate to perform Finite Element Analysis of parts These include modes of operation element types design studies analysis sensitivity studies organization and the major steps for setting up a model materials loads constraints analysis type studying convergence of the solution and viewing the results Both 2D and 3D problems are covered This tutorial deals exclusively with operation in integrated mode with Creo Parametric It is suitable for use with both Releases 5 0

of Creo Simulate The tutorials consist of the following 2 lessons on general introductory material 2 lessons introducing the basic operations in Creo Simulate using solid models 4 lessons on model idealizations shells beams and frames plane stress etc 1 lesson on miscellaneous topics 1 lesson on steady and transient thermal analysis

Parametric Modeling with Creo Parametric 4.0 Randy Shih, 2017-10-05 The primary goal of Parametric Modeling with Creo Parametric 4.0 is to introduce the aspects of Solid Modeling and Parametric Modeling This text is intended to be used as a training guide for any student or professional wanting to learn to use Creo Parametric This text covers Creo Parametric and the lessons proceed in a pedagogical fashion to guide you from constructing basic shapes to building intelligent solid models and creating multi view drawings This text takes a hands on exercise intensive approach to all the important Parametric Modeling techniques and concepts This textbook contains a series of eleven tutorial style lessons designed to introduce beginning CAD users to Creo Parametric The basic premise of this book is that the more designs you create using Creo Parametric the better you learn the software With this in mind each lesson introduces a new set of commands and concepts building on previous lessons This book will provide you with a good basis for exploring and growing in the exciting field of Computer Aided Engineering This book also introduces you to the general principles of 3D printing including a brief history of 3D printing the types of 3D printing technologies commonly used filaments and the basic procedure for printing a 3D model 3D printing makes it easier than ever for anyone to start turning their designs into physical objects and by the end of this book you will be ready to start printing out your own designs

*Parametric Modeling with Creo Parametric 8.0* Randy Shih, 2021-09 The primary goal of Parametric Modeling with Creo Parametric 8.0 is to introduce the aspects of Solid Modeling and Parametric Modeling This text is intended to be used as a training guide for any student or professional wanting to learn to use Creo Parametric This text covers Creo Parametric and the lessons proceed in a pedagogical fashion to guide you from constructing basic shapes to building intelligent solid models and creating multi view drawings This text takes a hands on exercise intensive approach to all the important Parametric Modeling techniques and concepts This textbook contains a series of 13 tutorial style lessons designed to introduce beginning CAD users to Creo Parametric The basic premise of this book is that the more designs you create using Creo Parametric the better you learn the software With this in mind each lesson introduces a new set of commands and concepts building on previous lessons This book will provide you with a good basis for exploring and growing in the exciting field of Computer Aided Engineering This book also introduces you to the general principles of 3D printing including a brief history of 3D printing the types of 3D printing technologies commonly used filaments and the basic procedure for printing a 3D model 3D printing makes it easier than ever for anyone to start turning their designs into physical objects and by the end of this book you will be ready to start printing out your own designs

**Designing with Creo Parametric 7.0** Michael Rider, 2020-09-25 Designing with Creo Parametric 7.0 provides the high school student college student or practicing engineer with a basic introduction to engineering design while learning the 3D modeling

Computer Aided Design software called Creo Parametric from PTC The topics are presented in tutorial format with exercises at the end of each chapter to reinforce the concepts covered It is richly illustrated with computer screen shots throughout Above all this text is designed to help you expand your creative talents and communicate your ideas through the graphics language Because it is easier to learn new information if you have a reason for learning it this textbook discusses design intent while you are learning Creo Parametric At the same time it shows how knowledge covered in basic engineering courses such as statics dynamics strength of materials and design of mechanical components can be applied to design You do not need an engineering degree nor be working toward a degree in engineering to use this textbook Although FEA Finite Element Analysis is used in this textbook its theory is not covered The first two chapters of this book describe the design process The meat of this text learning the basic Creo Parametric software is found in Chapters three through six Chapters seven eight and 12 deal with dimensioning and tolerancing an engineering part Chapters nine and ten deal with assemblies and assembly drawings Chapter 11 deals with family tables used when similar parts are to be designed or used Chapter 13 is an introduction to Creo Simulate and FEA

Creo Parametric 4.0 Basics CREATESPACE INDEPENDENT PUB, Tutorial Books, 2017-03-29 If you like to learn by doing then this book shows you to design and document mechanical components one step at a time Brief explanations followed by step by step instructions and a real world example make it a good starting point to learn Creo Parametric The author introduces the user interface and then starts solid modeling You will learn to draw sketches create 3D parts and assemble them create drawings sheet metal parts and design complex shapes using surface modeling tools The examples in this book help you to discover the use of various tools and capabilities of Creo Parametric Following are some of the skills you acquire after completing this book A good command over the user interface Create and edit parametric sketches Create basic and complex solid models Create assemblies using Bottom up and Top down approaches Create manufacturing drawings Sheet metal design Create and edit splines Create complex and ergonomic surfaces

Creo Parametric 4.0 Basics is a self study guide You can learn various tools or work with examples In both ways you can develop a good foundation in solid modeling

**Designing with Creo Parametric 5.0** Michael Rider, 2018 Designing with Creo Parametric 5.0 provides the high school student college student or practicing engineer with a basic introduction to engineering design while learning the 3D modeling Computer Aided Design software called Creo Parametric from PTC The topics are presented in tutorial format with exercises at the end of each chapter to reinforce the concepts covered It is richly illustrated with computer screen shots throughout Above all this text is designed to help you expand your creative talents and communicate your ideas through the graphics language Because it is easier to learn new information if you have a reason for learning it this textbook discusses design intent while you are learning Creo Parametric At the same time it shows how knowledge covered in basic engineering courses such as statics dynamics strength of materials and design of mechanical components can be applied to design You do not need an engineering degree nor be working toward a degree in engineering

to use this textbook Although FEA Finite Element Analysis is used in this textbook its theory is not covered The first two chapters of this book describe the design process The meat of this text learning the basic Creo Parametric software is found in Chapters 3 through 6 Chapters 7 8 and 12 deal with dimensioning and tolerancing an engineering part Chapters 9 and 10 deal with assemblies and assembly drawings Chapter 11 deals with family tables used when similar parts are to be designed or used Chapter 13 is an introduction to Creo Simulate and FEA Designing with Creo Parametric 6.0 Michael Rider,2019-08 Designing with Creo Parametric 6 0 provides the high school student college student or practicing engineer with a basic introduction to engineering design while learning the 3D modeling Computer Aided Design software called Creo Parametric from PTC The topics are presented in tutorial format with exercises at the end of each chapter to reinforce the concepts covered It is richly illustrated with computer screen shots throughout Above all this text is designed to help you expand your creative talents and communicate your ideas through the graphics language Because it is easier to learn new information if you have a reason for learning it this textbook discusses design intent while you are learning Creo Parametric At the same time it shows how knowledge covered in basic engineering courses such as statics dynamics strength of materials and design of mechanical components can be applied to design You do not need an engineering degree nor be working toward a degree in engineering to use this textbook Although FEA Finite Element Analysis is used in this textbook its theory is not covered The first two chapters of this book describe the design process The meat of this text learning the basic Creo Parametric software is found in Chapters 3 through 6 Chapters 7 8 and 12 deal with dimensioning and tolerancing an engineering part Chapters 9 and 10 deal with assemblies and assembly drawings Chapter 11 deals with family tables used when similar parts are to be designed or used Chapter 13 is an introduction to Creo Simulate and FEA **Parametric Modeling with Creo Parametric 7.0** Randy Shih,2020-08 The primary goal of Parametric Modeling with Creo Parametric 7 0 is to introduce the aspects of Solid Modeling and Parametric Modeling This text is intended to be used as a training guide for any student or professional wanting to learn to use Creo Parametric This text covers Creo Parametric and the lessons proceed in a pedagogical fashion to guide you from constructing basic shapes to building intelligent solid models and creating multi view drawings This text takes a hands on exercise intensive approach to all the important Parametric Modeling techniques and concepts This textbook contains a series of 13 tutorial style lessons designed to introduce beginning CAD users to Creo Parametric The basic premise of this book is that the more designs you create using Creo Parametric the better you learn the software With this in mind each lesson introduces a new set of commands and concepts building on previous lessons This book will provide you with a good basis for exploring and growing in the exciting field of Computer Aided Engineering This book also introduces you to the general principles of 3D printing including a brief history of 3D printing the types of 3D printing technologies commonly used filaments and the basic procedure for printing a 3D model 3D printing makes it easier than ever for anyone to start turning their designs into physical objects and by the end of

this book you will be ready to start printing out your own designs      Creo Simulate Tutorial Release 1.0 & 2.0 Roger Toogood,2012 *Creo Simulate Tutorial Releases 1 0 2 0* introduces new users to finite element analysis using Creo Simulate and how it can be used to analyze a variety of problems The tutorial lessons cover the major concepts and frequently used commands required to progress from a novice to an intermediate user level The commands are presented in a click by click manner using simple examples and exercises that illustrate a broad range of the analysis types that can be performed In addition to showing the command usage the text will explain why certain commands are being used and where appropriate the relation of commands to the overall Finite Element Analysis FEA philosophy are explained Moreover since error analysis is an important skill considerable time is spent exploring the created models so that users will become comfortable with the debugging phase of modeling This textbook is written for first time FEA users in general and Creo Simulate users in particular After a brief introduction to finite element modeling the tutorial introduces the major concepts behind the use of Creo Simulate to perform Finite Element Analysis of parts These include modes of operation element types design studies analysis sensitivity studies organization and the major steps for setting up a model materials loads constraints analysis type studying convergence of the solution and viewing the results Both 2D and 3D problems are treated This tutorial deals exclusively with operation in integrated mode with Creo Parametric It is suitable for use with both Releases 1 0 and 2 0 of Creo Simulate      *Parametric Modeling with Creo Parametric 5.0* Randy Shih,2018 The primary goal of Parametric Modeling with Creo Parametric 5 0 is to introduce the aspects of Solid Modeling and Parametric Modeling This text is intended to be used as a training guide for any student or professional wanting to learn to use Creo Parametric This text covers Creo Parametric and the lessons proceed in a pedagogical fashion to guide you from constructing basic shapes to building intelligent solid models and creating multi view drawings This text takes a hands on exercise intensive approach to all the important Parametric Modeling techniques and concepts This textbook contains a series of eleven tutorial style lessons designed to introduce beginning CAD users to Creo Parametric The basic premise of this book is that the more designs you create using Creo Parametric the better you learn the software With this in mind each lesson introduces a new set of commands and concepts building on previous lessons This book will provide you with a good basis for exploring and growing in the exciting field of Computer Aided Engineering This book also introduces you to the general principles of 3D printing including a brief history of 3D printing the types of 3D printing technologies commonly used filaments and the basic procedure for printing a 3D model 3D printing makes it easier than ever for anyone to start turning their designs into physical objects and by the end of this book you will be ready to start printing out your own designs      *Creo Parametric 6.0 Advanced Tutorial* Roger Toogood,2019-07 The purpose of *Creo Parametric 6 0 Advanced Tutorial* is to introduce you to some of the more advanced features commands and functions in Creo Parametric Each lesson concentrates on a few of the major topics and the text attempts to explain the why s of the commands in addition to a concise step by step description of new

command sequences This book is suitable for a second course in Creo Parametric and for users who understand the features already covered in Roger Toogood's *Creo Parametric Tutorial* The style and approach of the previous tutorial have been maintained from the previous book and the text picks up right where the last tutorial left off The material covered in this tutorial represents an overview of what is felt to be the most commonly used and important functions These include customization of the working environment advanced feature creation sweeps round sets draft and tweaks UDFs patterns and family tables layers Pro PROGRAM and advanced drawing and assembly functions *Creo Parametric 6.0 Advanced Tutorial* consists of eight lessons A continuing theme throughout the lessons is the creation of parts for a medium sized modeling project The project consists of a small three wheeled utility cart Project parts are given at the end of each lesson that utilize functions presented earlier in that lesson Final assembly is performed in the last lesson *Parametric Modeling with Creo Parametric 6.0* Randy Shih, 2019-07 The primary goal of *Parametric Modeling with Creo Parametric 6.0* is to introduce the aspects of Solid Modeling and Parametric Modeling This text is intended to be used as a training guide for any student or professional wanting to learn to use Creo Parametric This text covers Creo Parametric and the lessons proceed in a pedagogical fashion to guide you from constructing basic shapes to building intelligent solid models and creating multi view drawings This text takes a hands on exercise intensive approach to all the important Parametric Modeling techniques and concepts This textbook contains a series of 13 tutorial style lessons designed to introduce beginning CAD users to Creo Parametric The basic premise of this book is that the more designs you create using Creo Parametric the better you learn the software With this in mind each lesson introduces a new set of commands and concepts building on previous lessons This book will provide you with a good basis for exploring and growing in the exciting field of Computer Aided Engineering This book also introduces you to the general principles of 3D printing including a brief history of 3D printing the types of 3D printing technologies commonly used filaments and the basic procedure for printing a 3D model 3D printing makes it easier than ever for anyone to start turning their designs into physical objects and by the end of this book you will be ready to start printing out your own designs *Parametric Modeling with Creo Parametric 3.0* Randy Shih, 2014 The primary goal of *Parametric Modeling with Creo Parametric 3.0* is to introduce the aspects of Solid Modeling and Parametric Modeling This text is intended to be used as a training guide for any student or professional wanting to learn to use Creo Parametric This text covers Creo Parametric and the lessons proceed in a pedagogical fashion to guide you from constructing basic shapes to building intelligent solid models and creating multi view drawings This text takes a hands on exercise intensive approach to all the important Parametric Modeling techniques and concepts This textbook contains a series of eleven tutorial style lessons designed to introduce beginning CAD users to Creo Parametric The basic premise of this book is that the more designs you create using Creo Parametric the better you learn the software With this in mind each lesson introduces a new set of commands and concepts building on previous lessons This book will provide you with a good basis for exploring and

growing in the exciting field of Computer Aided Engineering      **Designing with Creo Parametric 8.0** Michael Rider, 2021-08 Designing with Creo Parametric 8.0 provides the high school student college student or practicing engineer with a basic introduction to engineering design while learning the 3D modeling Computer Aided Design software called Creo Parametric from PTC The topics are presented in tutorial format with exercises at the end of each chapter to reinforce the concepts covered It is richly illustrated with computer screen shots throughout Above all this text is designed to help you expand your creative talents and communicate your ideas through the graphics language Because it is easier to learn new information if you have a reason for learning it this textbook discusses design intent while you are learning Creo Parametric At the same time it shows how knowledge covered in basic engineering courses such as statics dynamics strength of materials and design of mechanical components can be applied to design You do not need an engineering degree nor be working toward a degree in engineering to use this textbook Although FEA Finite Element Analysis is used in this textbook its theory is not covered The first two chapters of this book describe the design process The meat of this text learning the basic Creo Parametric software is found in Chapters three through six Chapters seven eight and 12 deal with dimensioning and tolerancing an engineering part Chapters nine and ten deal with assemblies and assembly drawings Chapter 11 deals with family tables used when similar parts are to be designed or used Chapter 13 is an introduction to Creo Simulate and FEA Table of Contents 1 Computer Aided Design 2 Introduction 3 Sketcher 4 Extrusions 5 Revolves 6 Patterns 7 Dimensioning 8 Engineering Drawings 9 Assemblies 10 Assembly Drawings 11 Relations and Family Tables 12 Tolerancing and GD T 13 Creo Simulate and FEA Appendix A Parameters for Drawings Appendix B Drill and Tap Chart Appendix C Surface Roughness Chart Appendix D Clevis Pin Sizes Appendix E Number and Letter Drill Sizes Appendix F Square and Flat Key Sizes Appendix G Screw Sizes Appendix H Nut Sizes Appendix I Setscrew Sizes Appendix J Washer Sizes Appendix K Retaining Ring Sizes Appendix L Basic Hole Tolerance Appendix M Basic Shaft Tolerance Appendix N Tolerance Zones Appendix O International Tolerance Grades References Index      *Creo Parametric 5.0 Advanced Tutorial* Roger Toogood, 2018 The purpose of Creo Parametric 5.0 Advanced Tutorial is to introduce you to some of the more advanced features commands and functions in Creo Parametric Each lesson concentrates on a few of the major topics and the text attempts to explain the why's of the commands in addition to a concise step by step description of new command sequences This book is suitable for a second course in Creo Parametric and for users who understand the features already covered in Roger Toogood's Creo Parametric Tutorial The style and approach of the previous tutorial have been maintained from the previous book and the text picks up right where the last tutorial left off The material covered in this tutorial represents an overview of what is felt to be the most commonly used and important functions These include customization of the working environment advanced feature creation sweeps round sets draft and tweaks UDFs patterns and family tables layers Pro PROGRAM and advanced drawing and assembly functions Creo Parametric 5.0 Advanced Tutorial consists of eight lessons A

continuing theme throughout the lessons is the creation of parts for a medium sized modeling project The project consists of a small three wheeled utility cart Project parts are given at the end of each lesson that utilize functions presented earlier in that lesson Final assembly is performed in the last lesson

*Creo Parametric 1.0* Roger Toogood,Jack Zecher,2012 The eleven lessons in this tutorial introduce you to the design capabilities of Creo Parametric 1 0 The tutorial covers the major concepts and frequently used commands required to advance from a novice to an intermediate user level Major topics include part and assembly creation and creation of engineering drawings Also illustrated are the major functions that make Creo Parametric a parametric solid modeler These topics are further demonstrated in the video files that come with every book Although the commands are presented in a click by click manner an effort has been made in addition to showing illustrating the command usage to explain why certain commands are being used and the relation of feature selection and construction to the overall part design philosophy Simply knowing where commands can be found is only half the battle As is pointed out numerous times in the text creating useful and effective models of parts and assemblies requires advance planning and forethought Moreover since error recovery is an important skill considerable time is spent exploring the created models In fact some errors are intentionally induced so that users will become comfortable with the debugging phase of model creation At the end of each lesson is a short quiz reviewing the new topics covered in that chapter Following the quiz are several simple exercise parts that can be created using new commands taught in that lesson In addition to these an ongoing project throughout the book is also included This project consists of several parts that are introduced with the early lessons and finally assembled at the end

[Creo Parametric 7.0 Basics](#) Tutorial Books,2020-12-11 If you like to learn by doing this book shows you to design and document mechanical components one step at a time Brief explanations followed by step by step instructions and a real world example make it a good starting point to learn Creo Parametric The author introduces the user interface and then starts solid modeling You will learn to draw sketches create 3D parts assemble them create drawings sheet metal parts and design complex shapes using surface modeling tools The examples in this book help you to discover the use of various tools and capabilities of Creo Parametric Following are some of the skills you acquire after completing this book A good command over the user interface Create and edit parametric sketches Create basic and complex solid models Create assemblies using Bottom up and Top down approaches Create manufacturing drawings Sheet metal design Create and edit splines Create complex and ergonomic surfaces

*Creo Parametric 7 0 Basics* is a self study guide You can learn various tools or work with examples In both ways you can develop a good foundation in solid modeling

*Creo Simulate 8.0 Tutorial* Roger Toogood,2021 Written for first time FEA and Creo Simulate users Uses simple examples with step by step tutorials Explains the relation of commands to the overall FEA philosophy Both 2D and 3D problems are covered

*Creo Simulate 8 0 Tutorial* introduces new users to finite element analysis using Creo Simulate and how it can be used to analyze a variety of problems The tutorial lessons cover the major concepts and frequently used commands required to

progress from a novice to an intermediate user level The commands are presented in a click by click manner using simple examples and exercises that illustrate a broad range of the analysis types that can be performed In addition to showing the command usage the text will explain why certain commands are being used and where appropriate the relation of commands to the overall Finite Element Analysis FEA philosophy are explained Moreover since error analysis is an important skill considerable time is spent exploring the created models so that users will become comfortable with the debugging phase of modeling This textbook is written for first time FEA users in general and Creo Simulate users in particular After a brief introduction to finite element modeling the tutorial introduces the major concepts behind the use of Creo Simulate to perform Finite Element Analysis of parts These include modes of operation element types design studies analysis sensitivity studies organization and the major steps for setting up a model materials loads constraints analysis type studying convergence of the solution and viewing the results Both 2D and 3D problems are covered This tutorial deals exclusively with operation in integrated mode with Creo Parametric It is suitable for use with both Releases 8 0 of Creo Simulate The tutorials consist of the following 2 lessons on general introductory material 2 lessons introducing the basic operations in Creo Simulate using solid models 4 lessons on model idealizations shells beams and frames plane stress etc 1 lesson on miscellaneous topics 1 lesson on steady and transient thermal analysis Table of Contents 1 Introduction to FEA 2 Finite Element Analysis with Creo Simulate 3 Solid Models Part 1 Standard Static Analysis 4 Solid Models Part 2 Design Studies Optimization AutoGEM Controls Superposition 5 Plane Stress and Plane Strain Models 6 Axisymmetric Solids and Shells 7 Shell Models 8 Beams and Frames 9 Miscellaneous Topics Cyclic Symmetry Modal Analysis Springs and Masses Contact Analysis 10 Thermal Models Steady state and transient models transferring thermal results for stress analysis

Parametric Modeling With Creo Parametric 1.0 Randy Shih,2011 The primary goal of Parametric Modeling with Creo Parametric 1 0 is to introduce the aspects of Solid Modeling and Parametric Modeling This text is intended to be used as a training guide for any student or professional wanting to learn to use Creo Parametric This text covers Creo Parametric and the lessons proceed in a pedagogical fashion to guide you from constructing basic shapes to building intelligent solid models and creating multi view drawings This text takes a hands on exercise intensive approach to all the important Parametric Modeling techniques and concepts This textbook contains a series of eleven tutorial style lessons designed to introduce beginning CAD users to Creo Parametric The basic premise of this book is that the more designs you create using Creo Parametric the better you learn the software With this in mind each lesson introduces a new set of commands and concepts building on previous lessons This book will provide you with a good basis for exploring and growing in the exciting field of Computer Aided Engineering

Eventually, you will certainly discover a supplementary experience and exploit by spending more cash. yet when? attain you acknowledge that you require to acquire those every needs in the same way as having significantly cash? Why dont you attempt to acquire something basic in the beginning? Thats something that will guide you to comprehend even more nearly the globe, experience, some places, later history, amusement, and a lot more?

It is your entirely own get older to feign reviewing habit. in the course of guides you could enjoy now is **Creo Basic Tutorial Slibforyou** below.

[https://py.bijouxmedusa.com/files/virtual-library/index.jsp/modern\\_advanced\\_accounting\\_in\\_canada\\_8th\\_edition\\_hilton.pdf](https://py.bijouxmedusa.com/files/virtual-library/index.jsp/modern_advanced_accounting_in_canada_8th_edition_hilton.pdf)

## **Table of Contents Creo Basic Tutorial Slibforyou**

1. Understanding the eBook Creo Basic Tutorial Slibforyou
  - The Rise of Digital Reading Creo Basic Tutorial Slibforyou
  - Advantages of eBooks Over Traditional Books
2. Identifying Creo Basic Tutorial Slibforyou
  - Exploring Different Genres
  - Considering Fiction vs. Non-Fiction
  - Determining Your Reading Goals
3. Choosing the Right eBook Platform
  - Popular eBook Platforms
  - Features to Look for in an Creo Basic Tutorial Slibforyou
  - User-Friendly Interface
4. Exploring eBook Recommendations from Creo Basic Tutorial Slibforyou
  - Personalized Recommendations
  - Creo Basic Tutorial Slibforyou User Reviews and Ratings
  - Creo Basic Tutorial Slibforyou and Bestseller Lists
5. Accessing Creo Basic Tutorial Slibforyou Free and Paid eBooks

- Creo Basic Tutorial Slibforyou Public Domain eBooks
  - Creo Basic Tutorial Slibforyou eBook Subscription Services
  - Creo Basic Tutorial Slibforyou Budget-Friendly Options
6. Navigating Creo Basic Tutorial Slibforyou eBook Formats
    - ePub, PDF, MOBI, and More
    - Creo Basic Tutorial Slibforyou Compatibility with Devices
    - Creo Basic Tutorial Slibforyou Enhanced eBook Features
  7. Enhancing Your Reading Experience
    - Adjustable Fonts and Text Sizes of Creo Basic Tutorial Slibforyou
    - Highlighting and Note-Taking Creo Basic Tutorial Slibforyou
    - Interactive Elements Creo Basic Tutorial Slibforyou
  8. Staying Engaged with Creo Basic Tutorial Slibforyou
    - Joining Online Reading Communities
    - Participating in Virtual Book Clubs
    - Following Authors and Publishers Creo Basic Tutorial Slibforyou
  9. Balancing eBooks and Physical Books Creo Basic Tutorial Slibforyou
    - Benefits of a Digital Library
    - Creating a Diverse Reading Collection Creo Basic Tutorial Slibforyou
  10. Overcoming Reading Challenges
    - Dealing with Digital Eye Strain
    - Minimizing Distractions
    - Managing Screen Time
  11. Cultivating a Reading Routine Creo Basic Tutorial Slibforyou
    - Setting Reading Goals Creo Basic Tutorial Slibforyou
    - Carving Out Dedicated Reading Time
  12. Sourcing Reliable Information of Creo Basic Tutorial Slibforyou
    - Fact-Checking eBook Content of Creo Basic Tutorial Slibforyou
    - Distinguishing Credible Sources
  13. Promoting Lifelong Learning
    - Utilizing eBooks for Skill Development

- Exploring Educational eBooks
14. Embracing eBook Trends
- Integration of Multimedia Elements
  - Interactive and Gamified eBooks

### **Creo Basic Tutorial Slibforyou Introduction**

In this digital age, the convenience of accessing information at our fingertips has become a necessity. Whether its research papers, eBooks, or user manuals, PDF files have become the preferred format for sharing and reading documents. However, the cost associated with purchasing PDF files can sometimes be a barrier for many individuals and organizations. Thankfully, there are numerous websites and platforms that allow users to download free PDF files legally. In this article, we will explore some of the best platforms to download free PDFs. One of the most popular platforms to download free PDF files is Project Gutenberg. This online library offers over 60,000 free eBooks that are in the public domain. From classic literature to historical documents, Project Gutenberg provides a wide range of PDF files that can be downloaded and enjoyed on various devices. The website is user-friendly and allows users to search for specific titles or browse through different categories. Another reliable platform for downloading Creo Basic Tutorial Slibforyou free PDF files is Open Library. With its vast collection of over 1 million eBooks, Open Library has something for every reader. The website offers a seamless experience by providing options to borrow or download PDF files. Users simply need to create a free account to access this treasure trove of knowledge. Open Library also allows users to contribute by uploading and sharing their own PDF files, making it a collaborative platform for book enthusiasts. For those interested in academic resources, there are websites dedicated to providing free PDFs of research papers and scientific articles. One such website is Academia.edu, which allows researchers and scholars to share their work with a global audience. Users can download PDF files of research papers, theses, and dissertations covering a wide range of subjects. Academia.edu also provides a platform for discussions and networking within the academic community. When it comes to downloading Creo Basic Tutorial Slibforyou free PDF files of magazines, brochures, and catalogs, Issuu is a popular choice. This digital publishing platform hosts a vast collection of publications from around the world. Users can search for specific titles or explore various categories and genres. Issuu offers a seamless reading experience with its user-friendly interface and allows users to download PDF files for offline reading. Apart from dedicated platforms, search engines also play a crucial role in finding free PDF files. Google, for instance, has an advanced search feature that allows users to filter results by file type. By specifying the file type as "PDF," users can find websites that offer free PDF downloads on a specific topic. While downloading Creo Basic Tutorial Slibforyou free PDF files is convenient, its important to note that copyright laws must be respected. Always ensure that the PDF files you download are legally

available for free. Many authors and publishers voluntarily provide free PDF versions of their work, but its essential to be cautious and verify the authenticity of the source before downloading Creo Basic Tutorial Slibforyou. In conclusion, the internet offers numerous platforms and websites that allow users to download free PDF files legally. Whether its classic literature, research papers, or magazines, there is something for everyone. The platforms mentioned in this article, such as Project Gutenberg, Open Library, Academia.edu, and Issuu, provide access to a vast collection of PDF files. However, users should always be cautious and verify the legality of the source before downloading Creo Basic Tutorial Slibforyou any PDF files. With these platforms, the world of PDF downloads is just a click away.

### FAQs About Creo Basic Tutorial Slibforyou Books

1. Where can I buy Creo Basic Tutorial Slibforyou books? Bookstores: Physical bookstores like Barnes & Noble, Waterstones, and independent local stores. Online Retailers: Amazon, Book Depository, and various online bookstores offer a wide range of books in physical and digital formats.
2. What are the different book formats available? Hardcover: Sturdy and durable, usually more expensive. Paperback: Cheaper, lighter, and more portable than hardcovers. E-books: Digital books available for e-readers like Kindle or software like Apple Books, Kindle, and Google Play Books.
3. How do I choose a Creo Basic Tutorial Slibforyou book to read? Genres: Consider the genre you enjoy (fiction, non-fiction, mystery, sci-fi, etc.). Recommendations: Ask friends, join book clubs, or explore online reviews and recommendations. Author: If you like a particular author, you might enjoy more of their work.
4. How do I take care of Creo Basic Tutorial Slibforyou books? Storage: Keep them away from direct sunlight and in a dry environment. Handling: Avoid folding pages, use bookmarks, and handle them with clean hands. Cleaning: Gently dust the covers and pages occasionally.
5. Can I borrow books without buying them? Public Libraries: Local libraries offer a wide range of books for borrowing. Book Swaps: Community book exchanges or online platforms where people exchange books.
6. How can I track my reading progress or manage my book collection? Book Tracking Apps: Goodreads, LibraryThing, and Book Catalogue are popular apps for tracking your reading progress and managing book collections. Spreadsheets: You can create your own spreadsheet to track books read, ratings, and other details.
7. What are Creo Basic Tutorial Slibforyou audiobooks, and where can I find them? Audiobooks: Audio recordings of books, perfect for listening while commuting or multitasking. Platforms: Audible, LibriVox, and Google Play Books offer

- a wide selection of audiobooks.
8. How do I support authors or the book industry? Buy Books: Purchase books from authors or independent bookstores. Reviews: Leave reviews on platforms like Goodreads or Amazon. Promotion: Share your favorite books on social media or recommend them to friends.
  9. Are there book clubs or reading communities I can join? Local Clubs: Check for local book clubs in libraries or community centers. Online Communities: Platforms like Goodreads have virtual book clubs and discussion groups.
  10. Can I read Creo Basic Tutorial Slibforyou books for free? Public Domain Books: Many classic books are available for free as they're in the public domain. Free E-books: Some websites offer free e-books legally, like Project Gutenberg or Open Library.

### **Find Creo Basic Tutorial Slibforyou :**

~~modern advanced accounting in canada 8th edition hilton~~  
*mega estrenos descargar peliculas por mega en 1 link gratis*  
*methods of environmental impact assessment 3rd edition download*  
[mice and men double journal entry](#)  
[michel sardou je vole](#)

### **microeconomics final exam questions answers**

*mental traps the overthinkers guide to a happier life andre kukla*

### **mini cooper s r56 service**

### **microeconomics lesson 5 activity 37 answer key**

~~microcontroller based wireless heart rate telemonitor for~~

### **microbial glycobiology structures relevance and applications**

*mechanical reasoning test and answers*

[mergers acquisitions and corporate restructuring](#)

[millennium storia](#)

### **mechanics of materials hibbeler 9th edition**

### **Creo Basic Tutorial Slibforyou :**

*stilleben zeichnen technik gestaltung und ubung pdf* - Mar 30 2022

web stilleben zeichnen technik gestaltung und ubung 3 3 erfährst du hier auch mehr über die entstehung des stillebens als eigenständige kunstform welche arten von stilleben unterschieden werden und auch wie man stilleben bekannter künstler interpretiert wichtige inhalte im Überblick wann spricht man von einem stilleben grundlagen des

[ein stilleben zeichnen lernen markus agerer](#) - Jun 13 2023

web schritt 1 form und gruppierung des stillebens eine grobe skizze aus der die ästhetische anordnung der ausgewählten objekte für das stilleben hervorgeht solltest du deiner arbeit voransetzen für das spätere zeichnen des

**stilleben zeichnen technik gestaltung und ubung** - Jan 28 2022

web technikgestaltung zwischen wunsch und wirklichkeit oct 18 2022 es ist eine bekannte streitfrage ob wir der eigendynamik der technik blind ausgeliefert sind oder ob wir technik zielgerichtet und nach gesellschaftlichen werten aktiv und bewusst gestalten können im buch technikgestaltung zwischen wunsch und wirklichkeit wird diese

*stilleben zeichnen technik gestaltung und Übung* - Apr 30 2022

web 08 09 2022 stilleben zeichnen technik gestaltung und Übung agerer markus s agerer markus s amazon de bücher

*stilleben zeichnen technik gestaltung und Übung tapa blanda* - Jul 02 2022

web stilleben zeichnen technik gestaltung und Übung agerer markus s agerer markus s amazon es libros

*stilleben zeichnen technik gestaltung und Übung goodreads* - Sep 04 2022

web stilleben zeichnen book read reviews from world s largest community for readers ein buch rund um das thema stilleben zeichnen lerne eigene stillebe

*stilleben zeichnen technik gestaltung und Übung* - Jun 01 2022

web sie können festlegen ob einer der suchbegriffe eine genaue wortfolge oder alle suchbegriffe in den ergebnissen vorkommen sollen zudem können sie wählen in welchen feldern sie suchen möchten hilfe

*pdf stilleben zeichnen technik gestaltung und ubung* - Nov 06 2022

web stilleben zeichnen technik gestaltung und ubung techniktheorie technikforschung technikgestaltung may 02 2022

helmut klages bei den hier veröffentlichten beiträgen handelt es sich überwie gend um die überarbeiteten fassungen von vortragen einer tagung des arbeitskreises praxisorientierte sozialwissenschaft mit dem thema

*stilleben zeichnen und malen kunstkurs online de* - Apr 11 2023

web stilleben zeichnen technik gestaltung und Übung buchtipp stilleben zeichnen ein buch rund um das thema stilleben zeichnen lerne eigene stilleben zu zeichnen und zu entwerfen

[stilleben zeichnen technik gestaltung und übung by markus s](#) - Aug 03 2022

web stilleben zeichnen technik gestaltung und übung by markus s agerer wie man stilleben bekannter künstler interpretiert wichtige inhalte im Überblick wann spricht man von einem stillebengrundlagen des ubung stilleben zeichnen technik

gestaltung und ubung kf8 download imagine that you acquire such definite awesome experience and  
*die grosse zeichenschule stilleben grundlagen amazon de* - Dec 27 2021

web die große zeichenschule stilleben zeigt schritt für schritt wie man gegenstände zeichnet und kombiniert angefangen mit ganz einfachen formen lernt man immer schwierigere zeichnungen umzusetzen eingegangen wird auch auf verschiedene zeichnmittel

**stilleben zeichnen technik gestaltung und übung by markus s** - Dec 07 2022

web stilleben zeichnen technik gestaltung und übung 8f8c5 stilleben zeichnen technik gestaltung und ubung hamburger klönschnack oktober 08 by hamburger issuu 2d gestalten grundlagen der gestaltung übung zeichnenkurs für anfänger stilleben zeichnen technik gestaltung und übung by markus s agerer it is completely plain

*was ist ein stilleben kunstkurs online de* - Feb 26 2022

web stilleben zeichnen technik gestaltung und Übung anzeige später sind stilleben auf wandverkleidungen und altarflügeln zu bewundern es deutet sich damit ein wandel an die scene christlichen inhalts tritt hinter einem prachtvoll gemalten stilleben zurück etwa bei pieter artsens bild christus bei maria und martha aus dem jahr 1553

stilleben zeichnen technik gestaltung und Übung - Aug 15 2023

web 12 99 1 neu ab 12 99 ein buch rund um das thema stilleben zeichnen lerne eigene stilleben zu zeichnen und zu entwerfen hierfür vermittelt das buch drei grundlegende bausteine die zeichnerischen grundlagen das perspektivische zeichnen und die bildkomposition daneben erfährst du hier auch mehr über die entstehung des stillebens

stilleben zeichnen technik gestaltung und Übung google - May 12 2023

web wann spricht man von einem stilleben grundlagen des zeichnens geschichte des stillebens einfache arrangements zeichnen fluchtpunktperspektive bildgestaltung und komposition komplexere stilleben zeichnen diagonalenmethode bildanalyse eines stillebens moderne stilleben zeichnen

**pdf stilleben zeichnen technik gestaltung und ubung** - Feb 09 2023

web stilleben zeichnen technik gestaltung und ubung gestaltung von Übungen im heimatkundeunterricht der klasse 2 sep 02 2022 untersuchungen zur inhaltlichen und hochschulpädagogischen gestaltung der schulpraktischen Übungen im zweiten studienjahr der diplomlehrausbildung jun 06 2020 zur gestaltung von Übungen im lehrgebiet

*stilleben zeichnen technik gestaltung und übung by markus s* - Oct 05 2022

web stilleben zeichnen technik gestaltung und übung by markus s agerer die 155 besten bilder von übungseinheiten malen und may 6th 2020 09 04 2019 erkunde meier2692s pinnwand übungseinheiten auf pinterest weitere ideen zu malen und zeichnen zeichnungen und zeichenvorlagen 8f8c5 stilleben zeichnen technik gestaltung und

stilleben zeichnen technik gestaltung und Übung - Jul 14 2023

web ein buch rund um das thema stilleben zeichnen lerne eigene stilleben zu zeichnen und zu entwerfen hierfür vermittelt das buch zunächst drei grundlegende bausteine die zeichnerischen grundlagen das perspektivische zeichnen und die bildkomposition

**stilleben zeichnen und malen für anfänger häufige fehler** - Mar 10 2023

web oct 13 2020 stilleben sind ideale motive um zeichnen und malen zu lernen aber auch wenn man sich dabei soviel zeit lassen kann wie man möchte passieren immer wieder kleine fehler oder das ergebnis

*stilleben zeichnen technik gestaltung und ubung download* - Jan 08 2023

web digitales zeichnen stilleben zeichnen technik gestaltung und ubung downloaded from opendoors cityandguilds com by guest wu livia garantiert zeichnen lernen shirish deshpane dieses buch widmet sich voll und ganz dem thema perspektivisches zeichnen dabei geht es in erster linie um die sogenannte fluchtpunktperspektive mit

cell analogy project ideas sciencing 8 cell analogy project - Mar 19 2022

web mar 29 2018 a cell analogy project demand a real life place or object with place of a mobile so defined how the place s or object s components is like those of a cell examples could be a school castle factory maritime etc

**school cell analogy project by caleb ihejirika prezi** - May 21 2022

web dec 22 2020 school cell analogy project by caleb schools nucleus principal nucleus principal the nucleus controls the cell like how the principal controls and leads the school cell membrane police officer the officer protects the school and monitors who enters and leaves the school

cell organelles and functions analogy project chandler unified school - Aug 24 2022

web cell organelles and functions analogy project part 1 use pages 64 65 of the book to help you identify the organelle that performs each function label each organelle on the model note the model below is a plant cell

**school cell analogy by nicholas kletzli prezi** - Aug 04 2023

web art class is like the chromoplasts because it is colorful and chromoplasts give parts their color in the cell rough endoplasmic reticulum mitochondria vending machine the vending machines are like mitochondria because it is a source of energy exchanges sources of energy for money teacher s lounge the teacher s lounge is like the rough

**cell analogy project ideas sciencing cell analogy project** - Apr 19 2022

web cell analogy projects require students to choose places or aufgaben like a school one city an car or an zoo press liken their components to the parts of one cell

*cell analogy project school comparison by jacob sanmartin prezi* - Mar 31 2023

web sep 26 2013 cell analogy project school comparison nuclear envelope nucleus the nuclear envelope is the second membrane layer for a cell this could represent a second layer of brick or the foundation of the school the principal is the

nucleus of the school he controls everything that happens in the school smooth er

[100 cell analogy examples how to write tips examples](#) - May 01 2023

web details file format pdf size 120 kb download delve into the fascinating world of biology with our comprehensive list of 100 cell analogy examples each example is a unique and vivid comparison that brings the complexity of cellular structures to life

**analogy cell california state university northridge** - Sep 24 2022

web it is common to hear teachers draw analogies between cells and cities schools and factories in this example we are illustrating an analogy between a cell and a factory but it should be understood that others can be equally well developed analogue concept an analogy is helpful only when people are familiar with the analogue concept in

*cell analogy project school by kyra chinoy prezi* - Sep 05 2023

web feb 19 2021 cell analogy project school kyra chinoy school the school is like a cell because the different parts of it are very much like organelles and they do similar tasks school nucleus the nucleus is like the principal of a school because it controls the cell and everything that goes on much like how the principal controls the school nucleus

**cell analogy project ppt slideshare** - Jul 23 2022

web sep 23 2012 lesson 3 prokaryotic vs eukaryotic cell kevin francis magaoay 3 3k views 14 slides plant animal cells ppt shynum2 14k views 27 slides lesson 5 cell cycle mitosis and meiosis kevin francis magaoay 5 5k views 39 slides power point presentation of animal cell and plant cell jhoysantos12 55 2k views 22 slides

[writing cell analogy serp institute](#) - Jan 29 2023

web plagiarism alert for online research the cell analogy project is a common assignment from elementary school through college and many teachers have their students post their projects online be clear with your students that they should do their own original work

**cell analogy project template valley school** - Dec 28 2022

web sep 21 2021 directions for project decide the theme of your cell analogy be creative choose a concept that you can easily compare to a cell do not choose a city this is our class example here are some other ideas school amusement park football game complete slide 9 to display your general theme

*cell analogy to school by andi hur prezi* - Oct 06 2023

web cell analogy to school cell membrane endoplasmic reticulum vacuole hallways in the school are like endoplasmic reticulum hallway is the area of the transport in a school and er is the transportation in the cell nucleus vacuole is like a closets locker because they all storage the items or ideas in the school

*cell analogy project school by jane brown prezi* - Jun 21 2022

web feb 23 2021 cell analogy school cell roles nucleus nucleus principal the principal controls the student s activities like the nucleus controls the cells activities recess gives the students a slight amount of energy just like the chloroplast gives the cells a

*creative cell analogy project ideas for learning biology* - Jun 02 2023

web cell analogy projects provide a creative and simplified way for students to grasp complex cell biology concepts by comparing cells to familiar objects and processes these projects make learning biology engaging and memorable

**cell analogy project ideas sciencing cell analogy project** - Feb 15 2022

web cell analogy projects requires students to choose places or objects like a school a city a automotive or ampere zoo and contrast their components to the parts of a cell

**cell analogy project ideas study com** - Feb 27 2023

web to help you implement your cell analogy projects it may help to further research cells and their functions with our fun video lessons on cell biology in addition to a detailed video

*cell analogy project ideas sciencing* - Jul 03 2023

web mar 29 2018 cell analogy projects require students to choose places or objects like a school a city a car or a zoo and compare their components to the parts of a cell

*cell analogy project ideas sciencing 8 cell analogy project* - Nov 26 2022

web a cell analogy project requires a real life place button object to place of a cell that describes how the place s or object s components been like those about a jail cell analogy project objectives relate cell organelles functions to real global systems

**6th grade cell analogy project project resources menlo school** - Oct 26 2022

web mar 24 2022 project resources 6th grade cell analogy project menlo school library at menlo school library what is a cell information from the u s national library of medicine cell membranes are way more complicated than you think this is a five minute ted talk organelles an overview website and a short video an owner s guide to the cell

**pdf forepoling design in weak medium based on the** - Jun 22 2023

web may 27 2016 in this paper the contribution of convergence confinement method for tunneling design forepoling technique and ring cut method considered for gilavand tunnel

*what is tunnel forepoling purpose and methods civilyard* - Sep 25 2023

web jul 12 2020 tunnel forepoling method is generally adopted for tunnelling in soft rock under the following conditions the existence of overburden poor ground conditions three different methods of fore poling are sub horizontal jet grouting method spilling method and pipe roofing method if you like this article please do share this with your

fore poling method for tunnel - Apr 08 2022

web 4 fore poling method for tunnel 2019 08 18 technology have raised the expectations of users a static map is no longer enough there is now demand for a dynamic representation time is of great importance when operating on real world geographical phenomena especially when these are dynamic researchers in

[fore poling method for tunnel pdf store spiralny](#) - Mar 07 2022

web fore poling method for tunnel underground space the 4th dimension of metropolises three volume set cd rom modern tunneling science and technology minutes of proceedings of the institution of civil engineers design and construction of tunnels fundamentals of discrete element methods for rock engineering theory and

**forepoling excavation britannica** - Sep 13 2022

web in tunnels and underground excavations hand mined tunnels examples are forepoling and breasting techniques as developed for the hazardous case of running unstable ground figure 1 shows the essentials of the process heading advanced under a roof of forepole planks that are driven ahead at the crown and at the sides in severe cases plus

*fore poling method for tunnel copy* - Aug 12 2022

web fore poling method for tunnel effects of the poling process on dielectric piezoelectric and ferroelectric properties of lead zirconate titanate sep 14 2021 smart materials are widely used in many of today s relevant technologies such as nano and micro

[fore poling method of tunneling kpstructures](#) - Aug 24 2023

web nov 30 2020 fore poling method of tunneling november 30 2020 by ketan pattekar in this article we covers fore poling method of tunneling in soft ground factor affecting the choice of a method size of tunnel type of ground available equipment method of sequence of excavation

**forepolingmethodfortunnel 2022 chat dataflowkit** - Feb 06 2022

web tunnel design methods forepolingmethodfortunnel 5 5 covers analytical numerical and empirical methods for the design of tunnels in soil and in rock the material is intended for design engineers looking for detailed methods for graduate students who are interested in tunnelling and for

*fore poling method for tunnel ai classmonitor* - Jul 23 2023

web maintain tunnels along with those seeking to acquire data for use in their design with details of the factors that influence correct design such as end use construction practice and environmental

**forepoling robit drilling consumables robit plc** - Jan 17 2023

web forepoling is a method of supporting a weak roof of a mine or a tunnel used traditionally in soft loose or caving ground to make use of this method poles timber steel tube or slabs are driven into the ground before or during excavation

**reinforcing effects of forepoling and facebolts in tunnelling** - Mar 19 2023

web apr 10 2008 ground deformation induced by tunnelling in shallow sandy ground can be reduced by placing some reinforcements such as facebolts and forepoling bolts from the tunnel a series of centrifuge tests

**forepoling geoengineer org** - Feb 18 2023

web web class assignments forepoling is used wherever it is dangerous to expose even small areas of soil or rock for a short time to be more accurate the time available for support after excavation stand up time is so little that support must be secured prior to excavation

**analytical procedure to decide forepoling specifications for** - Apr 20 2023

web nov 23 2019 pdf a major cave in happened in buon kuop hydropower project in vietnam when one of the tunnels encountered a weak zone leading to creation of sink find read and cite all the research you

umbrella arch forepoling support methods rockeng - Dec 16 2022

web umbrella arch forepoling support methods tunnels play an important role in underground mines as they are the means along with shafts by which personnel and equipment are moved in and out of the operation and by which ore is moved out of the mine to surface for processing

**download solutions fore poling method for tunnel** - Jun 10 2022

web fore poling method for tunnel design of underground structures dec 31 2021 this book provides a general review of the literature on underground structures combined with new specifications engineering case studies and numerical simulations based on the authors research it

**product index working method and technique forepoling pdf tunnel** - Jul 11 2022

web agf p steel tube forepoling method product name steel tube forepoling method description steel tube forepoling method can be used in the entrance to tunnel or if the geology inside the tunnel is under various fragile conditions ranging from clayey soil to cracked rock also can be used

**6 different methods of tunneling in soft soil constructupdate com** - Nov 15 2022

web feb 17 2022 under the following conditions the tunnel forepoling method is commonly used for tunnelling in soft rock existence of overburden and or unfavorable ground conditions fore poling can be done in three different ways method of sub horizontal jet grouting methods of spilling pipe roofing methods

**fore poling in tunnel construction civil engineering youtube** - Oct 14 2022

web may 23 2020 fore poling in tunnel construction civil engineering mvp tech guide 212 subscribers subscribe 8 6k views 3 years ago in this video we have to

**forepoling method is generally adopted for tunnelling in** - May 09 2022

web detailed solution download solution pdf explanation running ground requires instant support throughout the excavation

examples include dry sand gravel silt mud and water bearing sand method of tunneling in running ground forepoling method  
linear plate method needle beam method american method english method

**fore poling pdf tunnel civil engineering scribd** - May 21 2023

web a method of advancing a mine working or tunnel in loose caving or watery ground such as quicksand by driving sharp  
pointed poles timbers sections of steel or slabs into the ground ahead of or simultaneously with the excavating a method