

Var  
Eqn.

VAR

VAR1

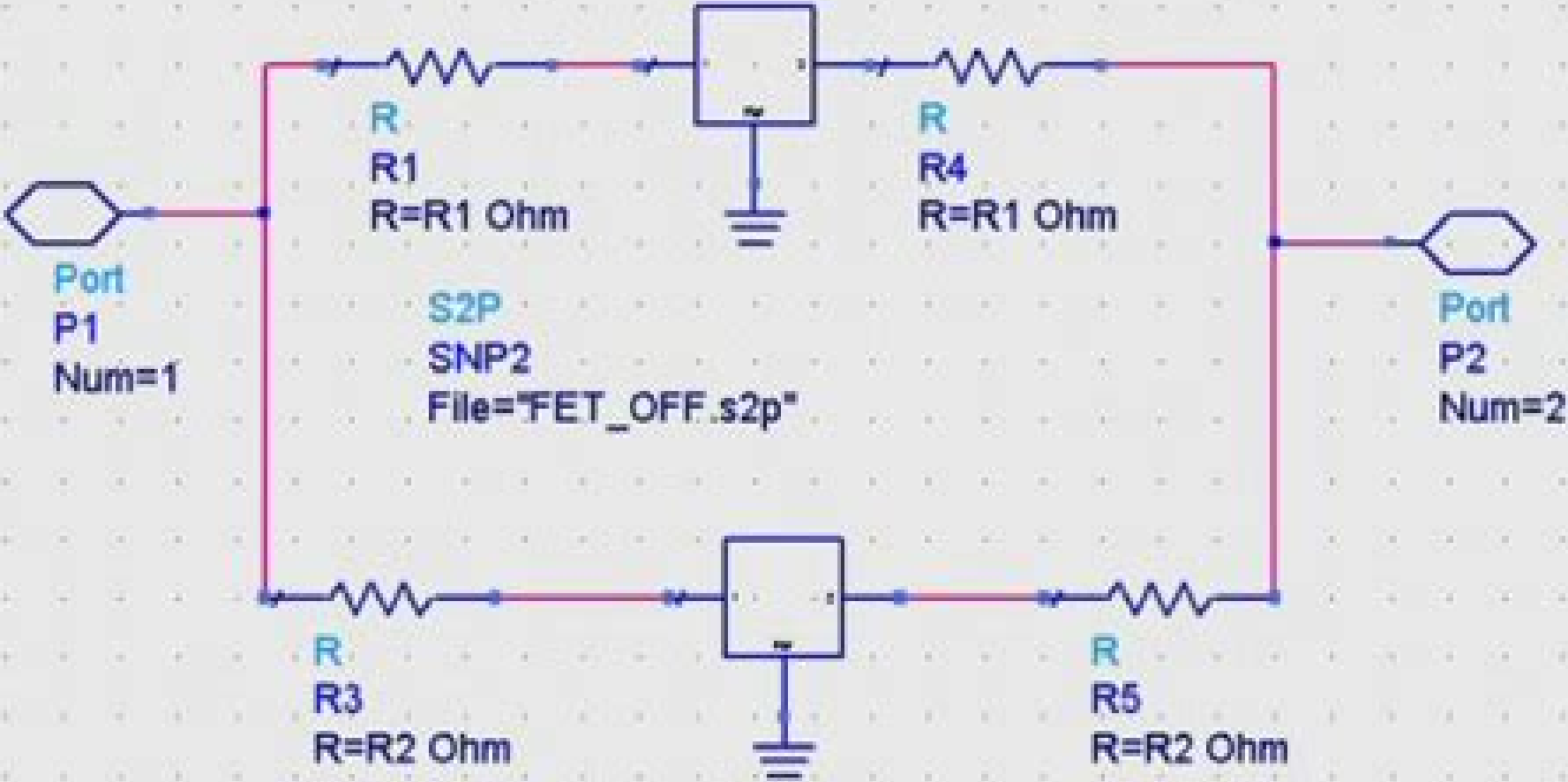
$$R1=(1.000000001-ON)/(0.000000001+ON)$$

$$R2=1/R1$$

S2P +

SNP1

File="FET\_ON.s2p"



## Example Circuit Using Ads 3 02

**JS Bruner**



### **Example Circuit Using Ads 3 02:**

**Co-simulations of Microwave Circuits and High-Frequency Electromagnetic Fields** Mei Song Tong,Xiao Yu Li,2024-07-03 This book aims to provide many advanced application topics for microwave circuits and high frequency electromagnetic EM fields by using advanced design system ADS and high frequency structure simulator HFSS as simulation platforms In particular it contains the latest multidisciplinary co simulation guidance on the design of relevant components and devices Currently the circuit field design and performance analysis and optimization strongly rely on various kinds of robust electronic design automation EDA software RF microwave engineers must grasp two or more types of related simulation design software ADS by Keysight and HFSS by Ansys are the representative for circuit simulations and for field and structural simulations of microwave devices respectively At present these two types of software are widely used in enterprises universities and research institutions The main purpose of this book is to enable readers who are interested in microwave engineering and applied electromagnetics to master the applications of these two tools It also helps readers expand their knowledge boundaries behind those types of software and deepen their understanding of developing interdisciplinary technologies by co simulations The book is divided into three parts The first part introduces the two latest versions of ADS and HFSS and helps readers better understand the basic principles and latest functions better It also advises how to choose appropriate simulation tools for different problems The second part mainly describes co simulations for high frequency EM fields microwave circuits antenna designs EM compatibility EMC and thermal and structural analyses It provides guides and advices on performing co simulations by ADS and HFSS incorporated with other types of software respectively The last part narrates the automation interfaces and script programming methods for co simulations It primarily deals with the Advanced Extension Language AEL Python Data Link PDL and MATLAB interface in ADS For HFSS it discusses VBScript IronPython scripting and Application Programming Interface APIs based on MATLAB Each topic contains practical examples to help readers understand so that they can gain a solid knowledge and skills regarding automated interfaces and scripting methods based on these kinds of software Concisely written in combination with practical examples this book is very suitable as a textbook in introductory courses on microwave circuit and EM simulations and also as a supplementary textbook in many courses on electronics microwave engineering communication engineering and related fields As well it can serve as a reference book for microwave engineers and researchers

*A Practical Guide to The Wiring Regulations* Geoffrey Stokes,John Bradley,2009-04-15 This best selling text has been revised to reflect the requirements of the 17th Edition of the IEE Wiring Regulations BS 7671 2008 It includes essential information on the new rules applied to special installations or locations such as bathrooms swimming pool locations camping caravan sites marinas exhibition and show locations solar photovoltaic power supply systems and floor and ceiling heating systems amongst others It presents clear explanations on inspection testing certification and reporting test instruments and test methods as well as covering

electricity the law standards and codes of practice assessment of general characteristics protection against electric shock thermal effects overcurrent undervoltage and overvoltage isolation and switching the common rules of equipment selection switchgear protective devices and other equipment wiring systems including the external influences on them and cable installation methods protective conductors earthing and protective bonding supplies for safety services the smaller installation and specialised installations such as outdoor lighting installations in churches multi occupancy blocks of flats These topics are addressed with pertinent regulation numbers and a useful appendix lists the relevant Standards Background guidance and worked examples are provided where appropriate Like the earlier editions of this text this new edition will be a useful aid for designers installers and verifiers of electrical installations students of the industry wishing to gain better understanding of the many facets of electrical safety and duty holders as defined by the Electricity at Work Regulations 1989

*Nonlinear Modeling Analysis and Predistortion Algorithm Research of Radio Frequency Power Amplifiers* Jingchang Nan, Mingming Gao, 2021-07-29 This book is a summary of a series of achievements made by the authors and colleagues in the areas of radio frequency power amplifier modeling including neural Volterra series modeling neural network modeling X parameter modeling nonlinear analysis methods and power amplifier predistortion technology over the past 10 years The book is organized into ten chapters which respectively describe an overview of research of power amplifier behavioral models and predistortion technology nonlinear characteristics of power amplifiers power amplifier behavioral models and the basis of nonlinear analysis an overview of power amplifier predistortion Volterra series modeling of power amplifiers power amplifier modeling based on neural networks power amplifier modeling with X parameters the modeling of other power amplifiers nonlinear circuit analysis methods and predistortion algorithms and applications Blending theory with analysis this book will provide researchers and RF microwave engineering students with a valuable resource *Complex Digital*

*Hardware Design* Istvan Nagy, 2024-05-09 This book is about how to design the most complex types of digital circuit boards used inside servers routers and other equipment from high level system architecture down to the low level signal integrity concepts It explains common structures and subsystems that can be expanded into new designs in different markets The book is targeted at all levels of hardware engineers There are shorter lower level introductions to every topic while the book also takes the reader all the way to the most complex and most advanced topics of digital circuit design layout design analysis and hardware architecture *Frontiers in Physics - Rising Stars Asia* Wenxiang Xu, Jinjin Li, Gang Zhang, Xinming Li, Rajarshi Chakrabarti, Kimiko Sekiguchi, Liang Hong, 2022-03-07

**Persuasive Advertising** J. Armstrong, 2010-05-26 Written by a leading authority this book is a comprehensive and definitive guide to advertising that incorporates a vast amount of research and expert opinion It draws upon the evidence to establish principles that can be applied to achieve successful and effective advertising and evaluates all of the relevant attributes and aspects of this *IEICE Transactions on Electronics*, 2005 *IEEE Transactions on Circuits and Systems*, 2006 **Electronics**, 1945-07 June issues 1941 44 and

Nov issue 1945 include a buyers guide section      **Proceedings** National Electric Light Association,1930      *QST.* ,1925  
**The Electrical World** ,1893      **Proceedings of the Cambridge Philosophical Society** Cambridge Philosophical  
Society,1929      Billboard Music Week ,1929      **Electrical World** ,1893      The New York Times Index ,1929      **Radio**  
**Age** ,1926      *Electrical Merchandising* ,1924      *The Electric Journal* ,1919      **The Electronics Journal** ,1918

## The Enigmatic Realm of **Example Circuit Using Ads 3 02**: Unleashing the Language is Inner Magic

In a fast-paced digital era where connections and knowledge intertwine, the enigmatic realm of language reveals its inherent magic. Its capacity to stir emotions, ignite contemplation, and catalyze profound transformations is nothing in short supply of extraordinary. Within the captivating pages of **Example Circuit Using Ads 3 02** a literary masterpiece penned by a renowned author, readers embark on a transformative journey, unlocking the secrets and untapped potential embedded within each word. In this evaluation, we shall explore the book's core themes, assess its distinct writing style, and delve into its lasting affect the hearts and minds of those that partake in its reading experience.

<https://py.bijouxmedusa.com/public/virtual-library/Documents/13%20ford%20focus%20st%20supplement%20fordservicecontent.pdf>

### **Table of Contents Example Circuit Using Ads 3 02**

1. Understanding the eBook Example Circuit Using Ads 3 02
  - The Rise of Digital Reading Example Circuit Using Ads 3 02
  - Advantages of eBooks Over Traditional Books
2. Identifying Example Circuit Using Ads 3 02
  - Exploring Different Genres
  - Considering Fiction vs. Non-Fiction
  - Determining Your Reading Goals
3. Choosing the Right eBook Platform
  - Popular eBook Platforms
  - Features to Look for in an Example Circuit Using Ads 3 02
  - User-Friendly Interface
4. Exploring eBook Recommendations from Example Circuit Using Ads 3 02
  - Personalized Recommendations
  - Example Circuit Using Ads 3 02 User Reviews and Ratings

- Example Circuit Using Ads 3 02 and Bestseller Lists
- 5. Accessing Example Circuit Using Ads 3 02 Free and Paid eBooks
  - Example Circuit Using Ads 3 02 Public Domain eBooks
  - Example Circuit Using Ads 3 02 eBook Subscription Services
  - Example Circuit Using Ads 3 02 Budget-Friendly Options
- 6. Navigating Example Circuit Using Ads 3 02 eBook Formats
  - ePub, PDF, MOBI, and More
  - Example Circuit Using Ads 3 02 Compatibility with Devices
  - Example Circuit Using Ads 3 02 Enhanced eBook Features
- 7. Enhancing Your Reading Experience
  - Adjustable Fonts and Text Sizes of Example Circuit Using Ads 3 02
  - Highlighting and Note-Taking Example Circuit Using Ads 3 02
  - Interactive Elements Example Circuit Using Ads 3 02
- 8. Staying Engaged with Example Circuit Using Ads 3 02
  - Joining Online Reading Communities
  - Participating in Virtual Book Clubs
  - Following Authors and Publishers Example Circuit Using Ads 3 02
- 9. Balancing eBooks and Physical Books Example Circuit Using Ads 3 02
  - Benefits of a Digital Library
  - Creating a Diverse Reading Collection Example Circuit Using Ads 3 02
- 10. Overcoming Reading Challenges
  - Dealing with Digital Eye Strain
  - Minimizing Distractions
  - Managing Screen Time
- 11. Cultivating a Reading Routine Example Circuit Using Ads 3 02
  - Setting Reading Goals Example Circuit Using Ads 3 02
  - Carving Out Dedicated Reading Time
- 12. Sourcing Reliable Information of Example Circuit Using Ads 3 02
  - Fact-Checking eBook Content of Example Circuit Using Ads 3 02
  - Distinguishing Credible Sources

13. Promoting Lifelong Learning
  - Utilizing eBooks for Skill Development
  - Exploring Educational eBooks
14. Embracing eBook Trends
  - Integration of Multimedia Elements
  - Interactive and Gamified eBooks

### **Example Circuit Using Ads 3 02 Introduction**

Free PDF Books and Manuals for Download: Unlocking Knowledge at Your Fingertips In today's fast-paced digital age, obtaining valuable knowledge has become easier than ever. Thanks to the internet, a vast array of books and manuals are now available for free download in PDF format. Whether you are a student, professional, or simply an avid reader, this treasure trove of downloadable resources offers a wealth of information, conveniently accessible anytime, anywhere. The advent of online libraries and platforms dedicated to sharing knowledge has revolutionized the way we consume information. No longer confined to physical libraries or bookstores, readers can now access an extensive collection of digital books and manuals with just a few clicks. These resources, available in PDF, Microsoft Word, and PowerPoint formats, cater to a wide range of interests, including literature, technology, science, history, and much more. One notable platform where you can explore and download free Example Circuit Using Ads 3 02 PDF books and manuals is the internet's largest free library. Hosted online, this catalog compiles a vast assortment of documents, making it a veritable goldmine of knowledge. With its easy-to-use website interface and customizable PDF generator, this platform offers a user-friendly experience, allowing individuals to effortlessly navigate and access the information they seek. The availability of free PDF books and manuals on this platform demonstrates its commitment to democratizing education and empowering individuals with the tools needed to succeed in their chosen fields. It allows anyone, regardless of their background or financial limitations, to expand their horizons and gain insights from experts in various disciplines. One of the most significant advantages of downloading PDF books and manuals lies in their portability. Unlike physical copies, digital books can be stored and carried on a single device, such as a tablet or smartphone, saving valuable space and weight. This convenience makes it possible for readers to have their entire library at their fingertips, whether they are commuting, traveling, or simply enjoying a lazy afternoon at home. Additionally, digital files are easily searchable, enabling readers to locate specific information within seconds. With a few keystrokes, users can search for keywords, topics, or phrases, making research and finding relevant information a breeze. This efficiency saves time and effort, streamlining the learning process and allowing individuals to focus on extracting the information they need. Furthermore, the availability of free PDF books and manuals fosters a culture of continuous learning.

By removing financial barriers, more people can access educational resources and pursue lifelong learning, contributing to personal growth and professional development. This democratization of knowledge promotes intellectual curiosity and empowers individuals to become lifelong learners, promoting progress and innovation in various fields. It is worth noting that while accessing free Example Circuit Using Ads 3 02 PDF books and manuals is convenient and cost-effective, it is vital to respect copyright laws and intellectual property rights. Platforms offering free downloads often operate within legal boundaries, ensuring that the materials they provide are either in the public domain or authorized for distribution. By adhering to copyright laws, users can enjoy the benefits of free access to knowledge while supporting the authors and publishers who make these resources available. In conclusion, the availability of Example Circuit Using Ads 3 02 free PDF books and manuals for download has revolutionized the way we access and consume knowledge. With just a few clicks, individuals can explore a vast collection of resources across different disciplines, all free of charge. This accessibility empowers individuals to become lifelong learners, contributing to personal growth, professional development, and the advancement of society as a whole. So why not unlock a world of knowledge today? Start exploring the vast sea of free PDF books and manuals waiting to be discovered right at your fingertips.

### **FAQs About Example Circuit Using Ads 3 02 Books**

How do I know which eBook platform is the best for me? Finding the best eBook platform depends on your reading preferences and device compatibility. Research different platforms, read user reviews, and explore their features before making a choice. Are free eBooks of good quality? Yes, many reputable platforms offer high-quality free eBooks, including classics and public domain works. However, make sure to verify the source to ensure the eBook credibility. Can I read eBooks without an eReader? Absolutely! Most eBook platforms offer webbased readers or mobile apps that allow you to read eBooks on your computer, tablet, or smartphone. How do I avoid digital eye strain while reading eBooks? To prevent digital eye strain, take regular breaks, adjust the font size and background color, and ensure proper lighting while reading eBooks. What the advantage of interactive eBooks? Interactive eBooks incorporate multimedia elements, quizzes, and activities, enhancing the reader engagement and providing a more immersive learning experience. Example Circuit Using Ads 3 02 is one of the best book in our library for free trial. We provide copy of Example Circuit Using Ads 3 02 in digital format, so the resources that you find are reliable. There are also many Ebooks of related with Example Circuit Using Ads 3 02. Where to download Example Circuit Using Ads 3 02 online for free? Are you looking for Example Circuit Using Ads 3 02 PDF? This is definitely going to save you time and cash in something you should think about. If you trying to find then search around for online. Without a doubt there are numerous these available and many of them have the freedom. However without doubt you

receive whatever you purchase. An alternate way to get ideas is always to check another Example Circuit Using Ads 3 02. This method for see exactly what may be included and adopt these ideas to your book. This site will almost certainly help you save time and effort, money and stress. If you are looking for free books then you really should consider finding to assist you try this. Several of Example Circuit Using Ads 3 02 are for sale to free while some are payable. If you arent sure if the books you would like to download works with for usage along with your computer, it is possible to download free trials. The free guides make it easy for someone to free access online library for download books to your device. You can get free download on free trial for lots of books categories. Our library is the biggest of these that have literally hundreds of thousands of different products categories represented. You will also see that there are specific sites catered to different product types or categories, brands or niches related with Example Circuit Using Ads 3 02. So depending on what exactly you are searching, you will be able to choose e books to suit your own need. Need to access completely for Campbell Biology Seventh Edition book? Access Ebook without any digging. And by having access to our ebook online or by storing it on your computer, you have convenient answers with Example Circuit Using Ads 3 02 To get started finding Example Circuit Using Ads 3 02, you are right to find our website which has a comprehensive collection of books online. Our library is the biggest of these that have literally hundreds of thousands of different products represented. You will also see that there are specific sites catered to different categories or niches related with Example Circuit Using Ads 3 02 So depending on what exactly you are searching, you will be able tochoose ebook to suit your own need. Thank you for reading Example Circuit Using Ads 3 02. Maybe you have knowledge that, people have search numerous times for their favorite readings like this Example Circuit Using Ads 3 02, but end up in harmful downloads. Rather than reading a good book with a cup of coffee in the afternoon, instead they juggled with some harmful bugs inside their laptop. Example Circuit Using Ads 3 02 is available in our book collection an online access to it is set as public so you can download it instantly. Our digital library spans in multiple locations, allowing you to get the most less latency time to download any of our books like this one. Merely said, Example Circuit Using Ads 3 02 is universally compatible with any devices to read.

### **Find Example Circuit Using Ads 3 02 :**

#### **2013 ford focus st supplement fordservicecontent**

[2001 vw jetta vr6 engine diagram](#)

[3126 cat engine oil pressure sensor](#)

[6d pgh api](#)

**2010 yamaha fx nytro fx10z fx10rtrz fx10rtrsfx10xtz fx10m53z fx10m53sz fx10m62sz snowmobile service repair manual**

6th sem mechanical engineering notes

*500 ricette per il barbecue*

~~21 bringing down the house the inside story of six m i t students who took vegas for millions 21 bringing down the hous~~

**2013 grade 11 tourism september question paper pdf**

3d food printing tno

*36th bcs written exam english study press*

**2010 2011 nissan juke factory service repair manual**

~~365 science of mind a year of daily wisdom from ernest holmes~~

**3 3 kv igbt modules fujelectric**

**455 isr de salarios ingresos exenciones y opciones de**

### **Example Circuit Using Ads 3 02 :**

**cardistry notebook cardistry notebook journal diary 110 pages** - Apr 05 2022

web cardistry notebook cardistry notebook journal diary 110 pages blank 6 x 9 by cris notebook sloniger iowaarchaeology every magic trick in the shop is listed here

**cardistry notebook cardistry notebook journal diary 110** - Oct 23 2023

web cardistry notebook cardistry notebook journal diary 110 pages blank 6 x 9 notebook cris amazon sg books

**cardistry notebook cardistry notebook journal diary 110 pages** - Feb 03 2022

web aug 20 2023 may 7th 2020 cardistry notebook cardistry notebook journal diary 110 cover finish matte dimensions 6 x 9 15 24 x 22 86 cm interior blank white paperpages

**cardistry notebook cardistry notebook journal diary 110 pages** - Nov 12 2022

web cardistry notebook cardistry notebook journal diary 110 pages blank 6 x 9 by cris notebook listado de trucos con cartas sus creadores y donde may 26th 2020 listado

**cardistry notebook cardistry notebook journal dia pdf free** - Oct 11 2022

web cardistry notebook cardistry notebook journal dia pdf introduction cardistry notebook cardistry notebook journal dia pdf free indian renaissance and

*cardistry notebook cardistry notebook journal dia pdf copy* - Mar 04 2022

web notebook cardistry notebook journal dia pdf correspondingly simple mymaths 7 queensland jennifer nolan 2015 give all your students their best opportunity to be

**singapore journal of cardiology cardiology journals clinical** - Feb 15 2023

web sjc is a peer reviewed and an open access journal publishes original research articles epidemiological studies recent methodological clinical studies case reports discovery

**cardistry notebook cardistry notebook journal diary 110** - Aug 21 2023

web may 8 2019 cardistry notebook cardistry notebook journal diary 110 pages blank 6 x 9 notebook cris on amazon com free shipping on qualifying offers

cardiology journal international journal of cardiology sciences - Aug 09 2022

web cardiology journal covers technical and clinical studies related to health ethical and social issues in the fields of clinical cardiology interventional cardiology echocardiography

**cardistry notebook cardistry notebook journal dia pdf apidev** - Jun 07 2022

web cardistry notebook cardistry notebook journal dia 2021 10 03 jack nickolas art of cardistry hachette uk looks just like stacked lego bricks lego bricks meet

**cardistry notebook cardistry notebook journal dia luis** - Mar 16 2023

web cardistry notebook cardistry notebook journal dia yeah reviewing a books cardistry notebook cardistry notebook journal dia could grow your close associates listings

**cardistry notebook cardistry notebook journal dia uniport edu** - May 06 2022

web jun 15 2023 cardistry notebook cardistry notebook journal dia 1 6 downloaded from uniport edu ng on june 15 2023 by guest cardistry notebook cardistry notebook

**notebook cardistry notebook journal lined gift card blank** - May 18 2023

web notebook cardistry notebook journal lined gift card blank composition funny design planner publishing diary pages women men journals finish listening thinking

**i just love seriously cardistry notebook journal for writing** - Apr 17 2023

web i just love seriously cardistry notebook journal for writing notes the perfect gift for a cardistry lover a great way to write or took notes cardistry press amazon sg books

cardistry notebook cardistry notebook journal dia pdf sql - Jul 08 2022

web all cardistry fans perfect gift journal diary notebook 120 pages 6x9in perfect quality journal diary notebook ideal for work this notebook can help you remember

**cardistry notebook cardistry notebook journal diary 110** - Jul 20 2023

web may 8 2019 buy a copy of cardistry notebook cardistry notebook journal diary 110 pages blank 6 x 9 book by cris notebook cover finish matte dimensions 6

cardistry notebook cardistry notebook journal diary 110 - Sep 22 2023

web buy cardistry notebook cardistry notebook journal diary 110 pages blank 6 x 9 by cris notebook online at alibris we have new and used copies available in 1 editions

*indonesian journal of cardiology* - Jan 14 2023

web oct 22 2023 editorial office heart house jalan katalia raya no 5 kota bambu utara west jakarta 11430 indonesia

telephone 62 21 5681149 fax 62 21 5684220

*cardistry notebook cardistry notebook journal dia pdf* - Jun 19 2023

web mar 18 2023 cardistry notebook cardistry notebook journal dia 2 8 downloaded from uniport edu ng on march 18 2023

by guest for designers the second part of the book

cardistry notebook cardistry notebook journal dia pdf pdf - Dec 13 2022

web cardistry notebook cardistry notebook journal dia pdf introduction cardistry notebook cardistry notebook journal dia pdf pdf the alexandria connection

**journal of cardiology sciencedirect com by elsevier** - Sep 10 2022

web journal of cardiology is the official journal of the japanese college of cardiology it is an international english language

peer reviewed journal publishing the latest findings in

weather clock widget android v6 1 3 3 adfree apk latest - Jul 03 2022

web jan 22 2020 weather clock widget android v6 1 3 3 adfree apk latest legendapk wednesday january 22 2020 stay

updated with the latest weather observations and the most accurate future weather forecast

android weather clock widge v3 8 0 ad free maxicep - Jun 02 2022

web mar 9 2021 hava durumu ve saati gösteren widget android2 2 ve üzeri gerektirir weather clock widget android google play de android uygulamaları

**weather clock widget ad free apk full v3 7 2 0 indir** - Mar 11 2023

web weather clock widget ad free apk full v3 7 2 0 android weather clock widget ad free apk İndir türkçe dil destekli tüm dünyadaki şehirlerin hava durumunu anlık güncel olarak ekranınızda görebilirsiniz nem ve rüzgar hızı ve dahasını öğrenin

boyut5 mb

*weather clock widget ad free v4 2 6 7 paid apk latest* - Dec 28 2021

web jan 1 2021 weather clock widget ad free comes with different widget sizes 2 1 4 1 4 2 and 4 3 for normal screens and 5

1 5 2 and 5 3 for large screens like galaxy note and tablets weather clock widget ad free supports a wide range of android

phones it supports android version 2 2 and higher

weather clock widget for android ad free v6 1 3 2 apk full paid - Aug 04 2022

web jan 11 2020 you can share weather information and other location details with your friends elegant home screen

widgets you can customize fonts for date and clock moon phase stop roaming and update only wifi auto update every 15 minutes 3 hours 6 9 and 12 hours manual update follow the weather forecast and get updates for several

[widget sense v2 flip clock weather v1 01 04 mod ad free](#) - Jul 15 2023

web mar 9 2021 17mb apk boyutu olan android 2 3 ve üzeri gerektiren bir widget uygulamasıdır sense v2 flip clock weather google play de android uygulamaları

[widget digital clock world weather v1 05 34 ad free](#) - May 13 2023

web mar 11 2019 13mb boyutu vardır android 2 3 ve üzeri gerektirir hava durumunu gösteren bir widget uygulamasıdır digital clock world weather google play de

[widget digital clock world weather v1 05 44 mod ad free](#) - Aug 16 2023

web mar 11 2019 android 2 3 ve üzeri gerektiren 13mb civarında apk boyutu olan bu widget ile bulunduğunuz yerin hava durumunu ve anlık olarak saati görebilirsiniz ana sayfa forumlar yeni mesajlar forumlarda ara neler yeni widget digital clock

**weather clock widget apk for android download apkpure com** - Jun 14 2023

web sep 6 2023 download about weather clock widget english a fully fledged real time weather and future forecast with elegant widgets stay updated with the latest weather observations and the most accurate future weather forecast

[weather clock widget ad free v2 1 1 maxicep](#) - Oct 06 2022

web may 8 2019 weather clock widget ad free google play de android uygulamaları android cihazlar için hava durumu saat widget uygulamasıdır android sürüm 2 2

**weather clock widget for android ad free 4 3 0 5 apk for android** - Dec 08 2022

web mar 17 2023 personalize your phone tablet with the most elegant and customizable widgets showing current weather hourly daily forecast moon phase time and date your calendar events next alarm battery level features automatic location detection locate by network and gps global positioning system

**weather clock widget android uptodown** - Feb 27 2022

web sep 8 2023 latest version 6 5 2 2 sep 8 2023 older versions advertisement take the time and weather of any city in the world with you with weather clock widget android a tool to let you know the precise time and weather conditions of any specific area in real time with this program you just have to search for the names of your favorite

**weather clock widget for android ad free paid apk android** - Mar 31 2022

web sep 9 2023 download now the full apk of weather clock widget for android ad free for free only at sbenny com app requirements and details android version required 4 1 and higher versions of android smartphones and tablets

[weather clock widget plus v4 5 0 3 apk download filecr](#) - Feb 10 2023

web stay updated with the latest weather observations and the most accurate future forecast personalize your phone tablet

with the most elegant and customizable widgets showing current weather hourly daily forecast moon phase time and date calendar events next alarm and battery level

**simple weather clock widget 1 0 26 android clock and weather widget** - Jan 09 2023

web aug 12 2023 simple weather clock widget no ads v1 0 26 quick access to weather information on android home screenshared complete and ad free version of the

*weather clock widget devexpert net* - Nov 07 2022

web weather clock widget more than 50 000 000 downloads this is a fabulous multi function ad free for only 4 99 multi style home screen widgets with different sizes detailed current weather screen with 5 day forecast hourly 10 day weather forecast screen and even more disable ads get it free a comprehensive app with many features

**weather clock widget plus apps on google play** - Apr 12 2023

web jul 29 2023 features automatic location detection locate by network and gps global positioning system manually search for location by name or zip code weather notification alerts multiple

*weather clock widget ad free for android apk download* - Jan 29 2022

web devexpert net created weather clock widget ad free app to meet your need of accurate daily weather forecast its latest v3 0 1 2 is from tuesday 21st of july 2015 weather clock widget ad free apk is available for free download weather clock widget ad free require android 2 3 and up to run

weather clock widget for android ad free v4 1 6 4 paid - Sep 05 2022

web may 8 2019 weather clock widget for android ad free v4 1 6 4 paid ekli resimleri görüntülemek için kayıt olmalısınız hava durumu ve saat widget ı reklamsız hızlı ve doğru hava durumu uygulaması dünya çapındaki tüm şehirler için ayrıntılı hava durumu sağlar adresinizi arar ve şehirleri hızlı bir şekilde bulur ve mevcut

*simple weather clock widget v1 0 16 apk subscribed latest* - May 01 2022

web mar 31 2023 simple pure weather clock widget you can change your widgets background color and transparency additional widgets soon would you like to add a simple weather clock widget v1 0 16 apk subscribed latest hostapk hostapk home android apps antivirus art desain book reference business communication

unlocking success foolproof module 8 test answers revealed - Jul 13 2023

web foolproof module 8 answers in module 8 of the foolproof training participants learn important concepts and strategies to complete their assignments successfully this

*economics foolproof module 8 notes questions* - Nov 24 2021

web jun 16 2023 answer 100 hours question which of the answers below show bad money burns answer numbers 2 3 4 6 question we talk about doing your homework

**economics foolproof module 8 questions answers** - Nov 05 2022

web jun 16 2023 answer he doesn't do much good to have a savings plan if you don't know how to budget your money having a savings scheme a budget won't do much

*economics foolproof module 8 questions answers stuvia* - May 11 2023

web here are some sample questions from the foolproof module 8 burning money test what is the first step in creating a budget why is it important to have an emergency fund what

foolproof module 8 test answers i hated cbt s - Oct 04 2022

web apr 1 2021 start studying economics foolproof module 8 notes learn vocabulary terms and more with flashcards games and other study tools foolproof module 8

**what is the answers to the test for module 8 in foolproof you** - Aug 02 2022

web this really is relevant to foolproof module 8 test answers an answering company unlike an automatic answering equipment having a recorded message will present your

*module 8 burning money series intro burning money* - Feb 08 2023

web module 8 burning money is divided into 4 episodes each episode requires 60-90 minutes of these episodes extensively cover budgeting saving and spending decisions

foolproof module 8 answers quizlet exclusive coub - Apr 29 2022

web sep 8 2021 foolproof module 8 answers quizlet foolproof module 17 test answers quizlet foolproof module 17 test answers quizlet foolproof module 16 test answers

**the ultimate guide to crushing the foolproof module 8 burning** - Apr 10 2023

web module 8 answers the resolution can be described as the happy ending where you summarize your compelling vision and invite others to join you click the card to flip true

**module 8 answers flashcards quizlet** - Mar 09 2023

web critical preparation students need to track their income and expenses for seven days at the very beginning of the burning money series this spending journal assignment is the

**foolproof module 8 quiz answers coub** - Dec 26 2021

web jan 16 2023 correct answer it doesn't do much good to have a savings plan if you don't know how to budget your money having a savings plan a budget won't do

foolproof module 8 test answers answers for 2023 exams - Dec 06 2022

web nov 4 2022 economics foolproof module 8 questions answers questions with 100 correct answers updated verified document content and description below

**foolproof module 8 test answers answers fanatic** - Jul 01 2022

web foolproof burning money answers foolproof module 8 burning money test answers please copy and paste this embed script to where you want to embed editor s note

*mastering module 8 foolproof answers revealed* - Jun 12 2023

web nov 9 2022 economics foolproof module 8 questions amp answers questions with 100 correct answers updated amp verified

foolproof module 8 burning money answers squarespace - May 31 2022

web jan 28 2022 foolproof module 8 answers quizlet exclusive coub story by lafennonthumb 139 views

**foolproof module 8 quiz answers coub** - Jan 27 2022

web jan 16 2022 coub is youtube for video loops you can take any video trim the best part combine with other videos add soundtrack it might be a funny scene movie quote

foolproof module 8 test answers i hate cbt s - Oct 24 2021

**economics foolproof module 8 notes flashcards quizlet** - Sep 15 2023

web answer numbers 2 3 5 6 7 question in this module we ve said that one bill should be paid before all other bills which of the four choices should you always pay first

*the foolproof teacher guide* - Jan 07 2023

web 3046 foolproof module 8 test answers most popular 2581 kb s 6308 foolproof module 8 test answers checked 1643 kb s 7349 foolproof module 8 test answers added

*foolproofme answers blogger* - Sep 03 2022

web jul 17 2023 see answers 2 best answer copy the best way to receive the answers to the test for module 8 in foolproof would be to request them from the instructor the

foolproof module 8 answers quizlet voiccing - Mar 29 2022

web foolproof module 8 final test answers you want a new cell phone which of these sources would be the most dependable you research cell phone reviews pay a lot of

foolproof module 8 test answers quizfeast - Aug 14 2023

web are you looking for foolproof answers to the module 8 test look no further in this article we will provide you with reliable answers to help you ace your module 8 test module 8

**foolproof module 8 burning money test answers squarespace** - Feb 25 2022

web apr 2 2019 foolproof module 8 quiz answers foolproof module 8 quiz answers download

