

II. PWM METHODS

A. Sine PWM (1)

➤ Three-phase inverter

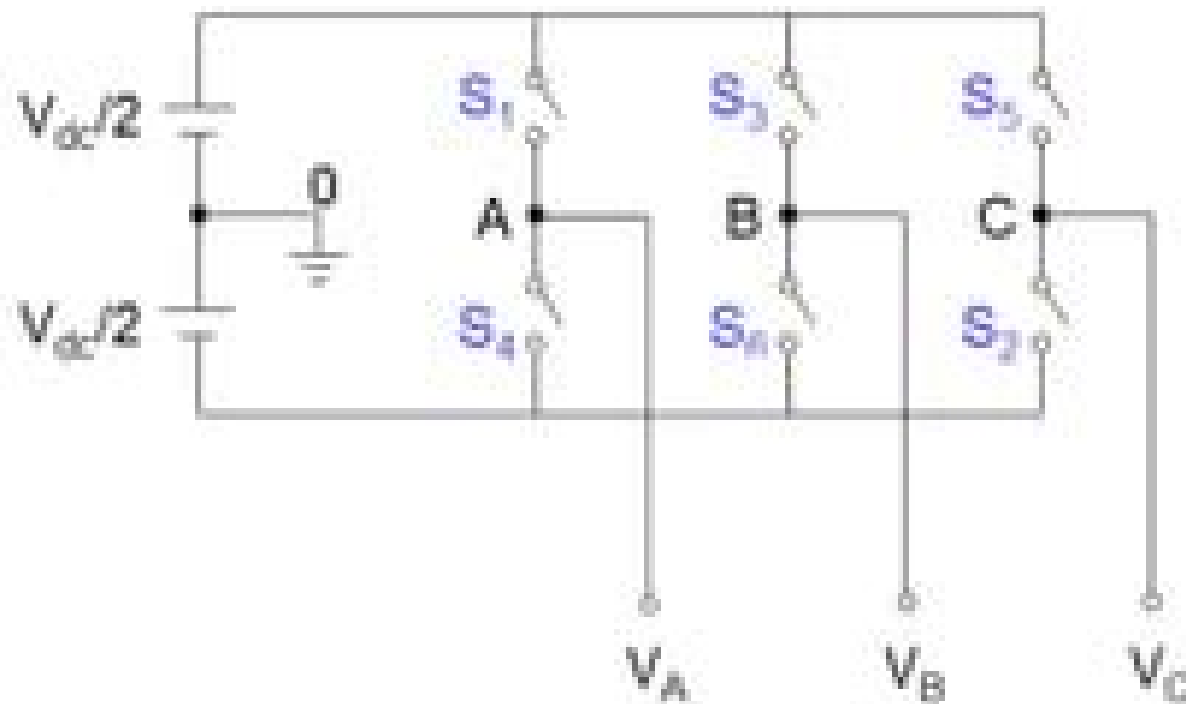


Fig. 6 Three-phase Sine PWM inverter.

Chapter 7 Pwm Techniques

Arturo Cuomo



Chapter 7 Pwm Techniques:

m-Mode SVPWM Technique for Power Converters Bo Zhang, Dongyuan Qiu, 2019-01-29 This book presents a novel control method for power converters referred to as m mode control It provides an overview of traditional control methods for inverters e g PWM and SVPWM and the theory of the m mode control method while also discussing and applying m mode control on various types of converters including three phase nine switch five leg and multi level inverters PWM rectifiers and modular multi level converters The book provides readers with sufficient background and understanding to delve deeper into the topic of SVPWM control It is also a valuable guide for engineers and researchers whose work involves power converter control

Advanced Pulse-Width-Modulation: With Freedom to Optimize Power Electronics Converters Dong Jiang, Zewei Shen, Qiao Li, Jianan Chen, Zicheng Liu, 2021-01-20 This book is a technical publication for students scholars and engineers in electrical engineering focusing on the pulse width modulation PWM technologies in power electronics area Based on an introduction of basic PWM principles this book analyzes three major challenges for PWM on system performance power losses voltage current ripple and electromagnetic interference EMI noise and the lack of utilization of control freedoms in conventional PWM technologies Then the model of PWM s impact on system performance is introduced with the current ripple prediction method for voltage source converter as example With the prediction model two major advanced PWM methods are introduced variable switching frequency PWM and phase shift PWM which can reduce the power losses and EMI for the system based on the prediction model Furthermore the advanced PWM can be applied in advanced topologies including multilevel converters and paralleled converters With more control variables in the advanced topologies performance of PWM can be further improved Also for the special problem for common mode noise this book introduces modified PWM method for reduction Especially the paralleled inverters with advanced PWM can achieve good performance for the common mode noise reduction Finally the implementation of PWM technologies in hardware is introduced in the last part

Electric Motor Control Sang-Hoon Kim, 2017-05-09 Electric Motor Control DC AC and BLDC Motors introduces practical drive techniques of electric motors to enable stable and efficient control of many application systems also covering basic principles of high performance motor control techniques driving methods control theories and power converters Electric motor drive systems play a critical role in home appliances motor vehicles robotics aerospace and transportation heating ventilating and cooling equipment s robotics industrial machinery and other commercial applications The book provides engineers with drive techniques that will help them develop motor drive system for their applications Includes practical solutions and control techniques for industrial motor drive applications currently in use Contains MATLAB Simulink simulation files Enables engineers to understand the applications and advantages of electric motor drive systems

Programming the BeagleBone Yogesh Chavan, 2016-01-28 Master BeagleBone programming by doing simple electronics and Internet of Things projects About This Book Quickly develop electronics projects that interact with Internet

applications using JavaScript and Python Learn about electronics components such as sensors and motors and how to communicate with them by writing programs A step by step guide to explore the exciting world of BeagleBone from connecting BeagleBone to doing electronics projects and creating IoT applications Who This Book Is For If you want to learn programming on embedded systems with BeagleBone by doing simple electronics projects this book is for you This book is also helpful to BeagleBone owners who want to quickly implement small scale home automation solutions It is assumed that you have familiarity with C and Python programming Some familiarity with electronics is helpful but not essential What You Will Learn Connect your BeagleBone to a computer in different ways and get the Cloud9 IDE running to quick start programming on the BeagleBone Get to know about BeagleBone extension pins such as GPIO and how to connect various electronics components with BeagleBone Read and write to various electronics components such as LED Push button sensors and motors Grasp in depth theory on Analog PWM and BUS programming and the electronics components used in programs Handle data to and from various BUS supporting modules such as UART I2C and SPI using the Adafruit BBIO Python library Write real life IoT applications in JavaScript and Python such as shooting an e mail on overheat and controlling a servo motor remotely Make use of online free cloud services to store and analyze sensor data collected on the BeagleBone Discover what else can be done using the BeagleBone Get to grips with embedded system BUS communication In Detail The whole world is moving from desktop computers to smartphones and embedded systems We are moving towards utilizing Internet of Things IoT An exponential rise in the demand for embedded systems and programming in the last few years is driving programmers to use embedded development boards such as Beaglebone BeagleBone is an ultra small cost effective computer that comes with a powerful hardware It runs a full fledged Debian Linux OS and provides numerous electronics solutions BeagleBone is open source and comes with an Ethernet port which allows you to deploy IoT projects without any additions to the board It provides plenty of GPIO Analog pins and UART I2C SPI pins which makes it the right choice to perform electronics projects This gives you all the benefits of Linux kernel such as multitasking multiusers and extensive device driver support This allows you to do programming in many languages including high level languages such as JavaScript and Python This book aims to exploit the hardware and software capabilities of BeagleBone to create real life electronics and IoT applications quickly It is divided into two parts The first part covers JavaScript programs The second part provides electronics projects and IoT applications in Python First you will learn to use BeagleBone as tool to write useful applications on embedded systems Starting with the basics needed to set up BeagleBone and the Cloud9 IDE this book covers interfacing with various electronics components via simple programs The electronics theory related to these components is then explained in depth before you use them in a program Finally the book helps you create some real life IoT applications Style and approach An easy to follow guide full of real world electronics programs and quick troubleshooting tips using BeagleBone All the required electronics concepts are explained in detail before using them in a program and all programs are explained in depth Most of

the theory is covered in the first part while the second part gives you some quick programs *Recent Advancements and Emerging Technologies in Multi-level Inverters* Kundan Kumar,Ambrish Devanshu,Subrata Banerjee,Lairenlakpam Robindro,Sheldon S. Williamson,2025-10-14 Recent Advances and Emerging Technologies in Multi Level Inverters provides a comprehensive exploration of the latest innovations and trends in multi level inverter technology This book delves into cutting edge designs control strategies and applications of multi level inverters in renewable energy systems electric vehicles and industrial automation It combines theoretical foundations with practical insights offering readers a holistic understanding of inverter operation and performance optimization Designed for researchers students and industry professionals the book highlights advancements in power electronics and their role in addressing modern energy challenges With detailed analyses and real world case studies this is an essential resource for anyone interested in the future of energy conversion and sustainable technologies *Pulsewidth Modulated DC-to-DC Power Conversion* Byungcho Choi,2013-07-30 This is the definitive reference for anyone involved in pulsewidth modulated DC to DC power conversion Pulsewidth Modulated DC to DC Power Conversion Circuits Dynamics and Control Designs provides engineers researchers and students in the power electronics field with comprehensive and complete guidance to understanding pulsewidth modulated PWM DC to DC power converters Presented in three parts the book addresses the circuitry and operation of PWM DC to DC converters and their dynamic characteristics along with in depth discussions of control design of PWM DC to DC converters Topics include Basics of DC to DC power conversion DC to DC converter circuits Dynamic modeling Power stage dynamics Closed loop performance Voltage mode control and feedback design Current mode control and compensation design Sampling effects of current mode control Featuring fully tested problems and simulation examples as well as downloadable lecture slides and ready to run PSpice programs Pulsewidth Modulated DC to DC Power Conversion is an ideal reference book for professional engineers as well as graduate and undergraduate students *Advanced Multilevel Converters and Applications in Grid Integration* Ali Iftekhar Maswood,Hossein Dehghani Tafti,2018-10-09 A comprehensive survey of advanced multilevel converter design control operation and grid connected applications Advanced Multilevel Converters and Applications in Grid Integration presents a comprehensive review of the core principles of advanced multilevel converters which require fewer components and provide higher power conversion efficiency and output power quality The authors noted experts in the field explain in detail the operation principles and control strategies and present the mathematical expressions and design procedures of their components The text examines the advantages and disadvantages compared to the classical multilevel and two level power converters The authors also include examples of the industrial applications of the advanced multilevel converters and offer thoughtful explanations on their control strategies Advanced Multilevel Converters and Applications in Grid Integration provides a clear understanding of the gap difference between research conducted and the current industrial needs This important guide Puts the focus on the new challenges and topics in related areas such as modulation methods

harmonic analysis voltage balancing and balanced current injection Makes a strong link between the fundamental concepts of power converters and advances multilevel converter topologies and examines their control strategies together with practical engineering considerations Provides a valid reference for further developments in the multilevel converters design issue Contains simulations files for further study Written for university students in electrical engineering researchers in areas of multilevel converters high power converters and engineers and operators in power industry Advanced Multilevel Converters and Applications in Grid Integration offers a comprehensive review of the core principles of advanced multilevel converters with contributions from noted experts in the field *Inverters and AC Drives* Narayanaswamy P.R.

Iyer,2024-12-26 Successful development of power electronic converters and converter fed electric drives involves system modeling analyzing the output voltage current electromagnetic torque and machine speed and making necessary design changes before hardware implementation *Inverters and AC Drives Control Modeling and Simulation Using Simulink* offers readers Simulink models for single multi triangle carrier selective harmonic elimination and space vector PWM techniques for three phase two level multi level including modular multi level Z source Quasi Z source switched inductor switched capacitor and diode assisted extended boost inverters six step inverter fed permanent magnet synchronous motor PMSM brushless DC motor BLDCM and induction motor IM drives vector controlled PMSM IM drives direct torque controlled inverter fed IM drives and fuzzy logic controlled converter fed AC drives with several examples and case studies Appendices in the book include source codes for all relevant models model projects and answers to selected model projects from all chapters This textbook will be a valuable resource for upper level undergraduate and graduate students in electrical and electronics engineering power electronics and AC drives It is also a hands on reference for practicing engineers and researchers in these areas *High Performance Control of AC Drives with Matlab / Simulink Models* Haitham Abu-Rub,Atif Iqbal,Jaroslav Guzinski,2012-04-13 A comprehensive guide to understanding AC machines with exhaustive simulation models to practice design and control Nearly seventy percent of the electricity generated worldwide is used by electrical motors Worldwide huge research efforts are being made to develop commercially viable three and multi phase motor drive systems that are economically and technically feasible Focusing on the most popular AC machines used in industry induction machine and permanent magnet synchronous machine this book illustrates advanced control techniques and topologies in practice and recently deployed Examples are drawn from important techniques including Vector Control Direct Torque Control Nonlinear Control Predictive Control multi phase drives and multilevel inverters Key features include systematic coverage of the advanced concepts of AC motor drives with and without output filter discussion on the modelling analysis and control of three and multi phase AC machine drives including the recently developed multi phase phase drive system and double fed induction machine description of model predictive control applied to power converters and AC drives illustrated together with their simulation models end of chapter questions with answers and PowerPoint slides available on the companion

website www.wiley.com/go/aburub_control This book integrates a diverse range of topics into one useful volume including most the latest developments It provides an effective guideline for students and professionals on many vital electric drives aspects It is an advanced textbook for final year undergraduate and graduate students and researchers in power electronics electric drives and motor control It is also a handy tool for specialists and practicing engineers wanting to develop and verify their own algorithms and techniques

Field-oriented Control for Induction Motor Drives Zaher Daboussi,1990

Power Electronics in Energy Conversion Systems Behrooz Mirafzal,2021-10-01 Learn fundamental concepts of power electronics for conventional and modern energy conversion systems This textbook offers comprehensive coverage of power electronics for the dynamic and steady state analysis of conventional and modern energy conversion systems The book includes detailed discussions of power converters for energy conversion techniques in renewable energy systems grid interactive inverters and motor drives Written by a seasoned educator *Power Electronics in Energy Conversion Systems* contains exclusive topics and features hundreds of helpful illustrations Readers will gain clear understandings of the concepts through many examples and simulations Coverage includes An introduction to power electronics and energy conversion Fundamental concepts in electric and magnetic circuits Principles of electromechanical systems Steady state analysis of DC DC converters Dynamics of DC DC converters Steady state analysis of inverters Steady state analysis and control of rectifiers Control and dynamics of grid interactive inverters Dynamic models of AC machines Control of inverters in motor drive systems Inverters and high frequency transients

Microcontroller Theory and Applications Daniel J. Pack,Steven Frank Barrett,2008 For undergraduate students taking a Microcontroller or Microprocessor course frequently found in electrical engineering and computer engineering curricula This text provides the reader with fundamental assembly language programming skills an understanding of the functional hardware components of a microcontroller and skills to interface a variety of external devices with microcontrollers

Power Electronics and Variable Frequency Drives Bimal K. Bose,1997 This original contributed volume combines the individual expertise of eleven world renowned professionals to provide comprehensive authoritative coverage of state of the art power electronics and AC drive technology Featuring an extensive introductory chapter by power electronics expert Bimal K Bose and more than 400 figures **POWER ELECTRONICS AND VARIABLE FREQUENCY DRIVES** covers each of the field s component disciplines and drives all in one complete resource Broad in scope and unique in its presentation this volume belongs on the bookshelf of every industry engineer professor graduate student and researcher involved in this fast growing multidisciplinary field It is an essential for teaching research development and design

Multilevel Inverters and Their Applications in Power System Jin Wang,2005

[Nonlinear Phenomena in Power Electronics](#) Soumitro Banerjee,George C. Verghese,2001-07-16 Brings the knowledge of 24 experts in this maturing field out from the narrow confines of academic circles and makes it accessible to graduate students and power electronics professionals alike Provides practicing engineers with the knowledge to predict power requirement behavior The insights

gained from this all inclusive compilation will ultimately lead to better design methodologies

An All-active Hybrid Switching Converter for Power Electronic Utility Applications Girish Radhakrishna Kamath,1998

Intelligent Control Yasuhiko Dote,Richard Gibson Hoft,1998 This book describes intelligent control and its use in power electronic systems specifically AC motor drives and uninterruptable power supply UPS systems The book covers both the fundamentals of the subject and its practical applications From the Foreword by Lofti A Zadeh Director of Berkeley Soft Computing Center California What is unusual about this book is that it starts with a description of more or less classical control techniques moves on to modern control and state space techniques addresses in detail the complex issues arising in the analysis and design of robust control takes up digital signal processing controllers and finally presents a very insightful exposition of soft computing techniques and their application to advanced control of AC drives and UPS systems

The Impact of Measurement Error on the At-site Flood Frequency Estimation Problem John F. Walker,1985

Modern Control Technology Christopher T. Kilian,2001 Thoroughly updated this edition features new material on decibels levers friction clutches and brakes tooth rotor tachometers vision sensors dynamic braking of DC motors linear motors and flux vector AC drives Also included is new information on popular PIC and BASIC Stamp microcontrollers plus expanded coverage of brushless DC motors and networking used in control systems

BOOK JACKET

Revue Roumaine de Physique ,1984

Yeah, reviewing a ebook **Chapter 7 Pwm Techniques** could increase your near links listings. This is just one of the solutions for you to be successful. As understood, carrying out does not recommend that you have fabulous points.

Comprehending as well as concord even more than supplementary will give each success. bordering to, the broadcast as competently as acuteness of this Chapter 7 Pwm Techniques can be taken as with ease as picked to act.

<https://py.bijouxmedusa.com/book/browse/Documents/Small%20Business%2031%202836%20Credit%20Score%20Improvement%20Step%20By%20Step%20USA%2031%20739.pdf>

Table of Contents Chapter 7 Pwm Techniques

1. Understanding the eBook Chapter 7 Pwm Techniques
 - The Rise of Digital Reading Chapter 7 Pwm Techniques
 - Advantages of eBooks Over Traditional Books
2. Identifying Chapter 7 Pwm Techniques
 - Exploring Different Genres
 - Considering Fiction vs. Non-Fiction
 - Determining Your Reading Goals
3. Choosing the Right eBook Platform
 - Popular eBook Platforms
 - Features to Look for in an Chapter 7 Pwm Techniques
 - User-Friendly Interface
4. Exploring eBook Recommendations from Chapter 7 Pwm Techniques
 - Personalized Recommendations
 - Chapter 7 Pwm Techniques User Reviews and Ratings
 - Chapter 7 Pwm Techniques and Bestseller Lists
5. Accessing Chapter 7 Pwm Techniques Free and Paid eBooks
 - Chapter 7 Pwm Techniques Public Domain eBooks

- Chapter 7 Pwm Techniques eBook Subscription Services
- Chapter 7 Pwm Techniques Budget-Friendly Options
- 6. Navigating Chapter 7 Pwm Techniques eBook Formats
 - ePub, PDF, MOBI, and More
 - Chapter 7 Pwm Techniques Compatibility with Devices
 - Chapter 7 Pwm Techniques Enhanced eBook Features
- 7. Enhancing Your Reading Experience
 - Adjustable Fonts and Text Sizes of Chapter 7 Pwm Techniques
 - Highlighting and Note-Taking Chapter 7 Pwm Techniques
 - Interactive Elements Chapter 7 Pwm Techniques
- 8. Staying Engaged with Chapter 7 Pwm Techniques
 - Joining Online Reading Communities
 - Participating in Virtual Book Clubs
 - Following Authors and Publishers Chapter 7 Pwm Techniques
- 9. Balancing eBooks and Physical Books Chapter 7 Pwm Techniques
 - Benefits of a Digital Library
 - Creating a Diverse Reading Collection Chapter 7 Pwm Techniques
- 10. Overcoming Reading Challenges
 - Dealing with Digital Eye Strain
 - Minimizing Distractions
 - Managing Screen Time
- 11. Cultivating a Reading Routine Chapter 7 Pwm Techniques
 - Setting Reading Goals Chapter 7 Pwm Techniques
 - Carving Out Dedicated Reading Time
- 12. Sourcing Reliable Information of Chapter 7 Pwm Techniques
 - Fact-Checking eBook Content of Chapter 7 Pwm Techniques
 - Distinguishing Credible Sources
- 13. Promoting Lifelong Learning
 - Utilizing eBooks for Skill Development
 - Exploring Educational eBooks

14. Embracing eBook Trends

- Integration of Multimedia Elements
- Interactive and Gamified eBooks

Chapter 7 Pwm Techniques Introduction

In the digital age, access to information has become easier than ever before. The ability to download Chapter 7 Pwm Techniques has revolutionized the way we consume written content. Whether you are a student looking for course material, an avid reader searching for your next favorite book, or a professional seeking research papers, the option to download Chapter 7 Pwm Techniques has opened up a world of possibilities. Downloading Chapter 7 Pwm Techniques provides numerous advantages over physical copies of books and documents. Firstly, it is incredibly convenient. Gone are the days of carrying around heavy textbooks or bulky folders filled with papers. With the click of a button, you can gain immediate access to valuable resources on any device. This convenience allows for efficient studying, researching, and reading on the go. Moreover, the cost-effective nature of downloading Chapter 7 Pwm Techniques has democratized knowledge. Traditional books and academic journals can be expensive, making it difficult for individuals with limited financial resources to access information. By offering free PDF downloads, publishers and authors are enabling a wider audience to benefit from their work. This inclusivity promotes equal opportunities for learning and personal growth. There are numerous websites and platforms where individuals can download Chapter 7 Pwm Techniques. These websites range from academic databases offering research papers and journals to online libraries with an expansive collection of books from various genres. Many authors and publishers also upload their work to specific websites, granting readers access to their content without any charge. These platforms not only provide access to existing literature but also serve as an excellent platform for undiscovered authors to share their work with the world. However, it is essential to be cautious while downloading Chapter 7 Pwm Techniques. Some websites may offer pirated or illegally obtained copies of copyrighted material. Engaging in such activities not only violates copyright laws but also undermines the efforts of authors, publishers, and researchers. To ensure ethical downloading, it is advisable to utilize reputable websites that prioritize the legal distribution of content. When downloading Chapter 7 Pwm Techniques, users should also consider the potential security risks associated with online platforms. Malicious actors may exploit vulnerabilities in unprotected websites to distribute malware or steal personal information. To protect themselves, individuals should ensure their devices have reliable antivirus software installed and validate the legitimacy of the websites they are downloading from. In conclusion, the ability to download Chapter 7 Pwm Techniques has transformed the way we access information. With the convenience, cost-effectiveness, and accessibility it offers, free PDF downloads have become a popular choice for students, researchers, and book lovers worldwide. However, it

is crucial to engage in ethical downloading practices and prioritize personal security when utilizing online platforms. By doing so, individuals can make the most of the vast array of free PDF resources available and embark on a journey of continuous learning and intellectual growth.

FAQs About Chapter 7 Pwm Techniques Books

1. Where can I buy Chapter 7 Pwm Techniques books? Bookstores: Physical bookstores like Barnes & Noble, Waterstones, and independent local stores. Online Retailers: Amazon, Book Depository, and various online bookstores offer a wide range of books in physical and digital formats.
2. What are the different book formats available? Hardcover: Sturdy and durable, usually more expensive. Paperback: Cheaper, lighter, and more portable than hardcovers. E-books: Digital books available for e-readers like Kindle or software like Apple Books, Kindle, and Google Play Books.
3. How do I choose a Chapter 7 Pwm Techniques book to read? Genres: Consider the genre you enjoy (fiction, non-fiction, mystery, sci-fi, etc.). Recommendations: Ask friends, join book clubs, or explore online reviews and recommendations. Author: If you like a particular author, you might enjoy more of their work.
4. How do I take care of Chapter 7 Pwm Techniques books? Storage: Keep them away from direct sunlight and in a dry environment. Handling: Avoid folding pages, use bookmarks, and handle them with clean hands. Cleaning: Gently dust the covers and pages occasionally.
5. Can I borrow books without buying them? Public Libraries: Local libraries offer a wide range of books for borrowing. Book Swaps: Community book exchanges or online platforms where people exchange books.
6. How can I track my reading progress or manage my book collection? Book Tracking Apps: Goodreads, LibraryThing, and Book Catalogue are popular apps for tracking your reading progress and managing book collections. Spreadsheets: You can create your own spreadsheet to track books read, ratings, and other details.
7. What are Chapter 7 Pwm Techniques audiobooks, and where can I find them? Audiobooks: Audio recordings of books, perfect for listening while commuting or multitasking. Platforms: Audible, LibriVox, and Google Play Books offer a wide selection of audiobooks.
8. How do I support authors or the book industry? Buy Books: Purchase books from authors or independent bookstores. Reviews: Leave reviews on platforms like Goodreads or Amazon. Promotion: Share your favorite books on social media or recommend them to friends.

9. Are there book clubs or reading communities I can join? Local Clubs: Check for local book clubs in libraries or community centers. Online Communities: Platforms like Goodreads have virtual book clubs and discussion groups.
10. Can I read Chapter 7 Pwm Techniques books for free? Public Domain Books: Many classic books are available for free as they're in the public domain. Free E-books: Some websites offer free e-books legally, like Project Gutenberg or Open Library.

Find Chapter 7 Pwm Techniques :

[small business 31-2836 credit score improvement step by step USA 31-739](#)
[31-2187 business automation checklist for entrepreneurs 31-2042 business](#)
[affiliate marketing case study for startups 31-1363 affiliate marketing](#)
healthy recipes tips USA 31-2626 healthy recipes tips for creators
[score improvement explained USA 31-1575 credit score improvement](#)
mobile app ideas checklist USA 31-1844 mobile app ideas checklist United
[print on demand roadmap for creators 31-2964 print on demand roadmap for](#)
[31-2058 YouTube growth for beginners for entrepreneurs 31-551 YouTube](#)
[31-2767 TikTok marketing checklist United States 31-482 TikTok marketing](#)
31-2772 SEO strategy guide for small business 31-414 SEO strategy guide
[business 31-1609 startup funding software America 31-437 startup funding](#)
[United States 31-1536 weight loss comparison for entrepreneurs 31-1870](#)
[investing guide America 31-467 crypto investing guide USA 31-2054 crypto](#)
[31-2068 cybersecurity roadmap for entrepreneurs 31-1289 cybersecurity](#)
America 31-1364 content marketing guide USA 31-1048 content marketing

Chapter 7 Pwm Techniques :

[kern s cardiac catheterization handbook 7th edition elsevier - Nov 27 2022](#)
web oct 29 2019 for portable quick access to information needed at the point of care in today s cath lab look no farther than
kern s cardiac catheterization handbook 7th edition this detailed authoritative guide is ideal for cardiologists who need a
quick clinical primer on cardiac catheterization as well as for all members of the cardiac cath team
kern s cardiac catheterization handbook 7th edition google - Oct 27 2022

web jul 7 2022 for portable quick access to information needed at the point of care in today s cath lab look no farther than kern s cardiac catheterization handbook 7th edition this detailed authoritative guide is ideal for cardiologists who need a quick clinical primer on cardiac catheterization as well as for all members of the cardiac cath team

kern s cardiac catheterization handbook anna s archive - May 22 2022

web the cardiac catheterization laboratory arterial and venous access coronary angiography and ventriculography invasive hemodynamics peripheral arterial disease and angiography interventional cardiology procedures the electrophysiology laboratory and electrophysiologic procedures high risk cardiac catheterization special

kern s cardiac catheterization handbook open library - Jul 24 2022

web apr 4 2023 imported from better world books record kern s cardiac catheterization handbook by paul sorajja michael j lim morton j kern 2019 elsevier edition in english

kern s cardiac catheterization handbook nobel kitavevi - Apr 01 2023

web this detailed authoritative guide is ideal for cardiologists who need a quick clinical primer on cardiac catheterization as well as for all members of the cardiac cath team highly readable and accessible it helps you provide optimal patient care with reliable information on the latest diagnostic and treatment advances in this fast paced

kern s cardiac catheterization handbook 7th edition - Dec 29 2022

web oct 29 2019 kern s cardiac catheterization handbook 7th edition by paul sorajja md facc faha fscai michael j lim md facc fscai and morton j kern md mscai faha facc paperback for portable quick access to information needed at the point of care in today s cath lab look no farther than kern s cardiac catheterization

the cardiac catheterization handbook sciencedirect - Aug 05 2023

web this one of a kind handbook outlines the basics of cardiac catheterization as well as the care of patients undergoing the procedure it provides clear step by step instructions and takes readers through a detailed review of equipment

cardiac catheterization handbook google books - Jan 30 2023

web may 26 2021 cardiac catheterization handbook paul sorajja michael j lim morton j kern elsevier health sciences may 26 2021 medical 736 pages for portable quick access to information needed at

the cardiac catheterization handbook free download borrow - Jun 22 2022

web xi 416 p 26 cm includes bibliographical references and index introduction to the catheterization laboratory morton j kern arterial and venous access morton j kern kimberly a skelding hemodynamic data and basic electrocardiography morton j kern angiographic data morton j kern pranav m patel peripheral artery

kern mj ed the cardiac catheterization handbook 5th ed - Mar 20 2022

web the cardiac catheterization handbook 5th ed philadelphia pa elsevier 2011 downstate medical center brooklyn ny 11203 u

as a american journal of medical case reports 2020 vol 8 no 2 a vasovagal reaction in the setting of coronary angiography most commonly presents as hypotension and or bradycardia while the array of signs

[kern s cardiac catheterization handbook 7th edition true pdf](#) - Apr 20 2022

web for portable quick access to information needed at the point of care in today s cath lab look no farther than kern s cardiac catheterization handbook 7th edition this detailed authoritative guide is ideal for cardiologists who need a quick clinical primer on cardiac catheterization as well as for all members of the cardiac cath team

6th edition amazon com spend less smile more - Aug 25 2022

web sep 9 2015 this unique easy to access handbook returns with enhanced coverage and clear instructions on what to expect what to avoid and how to manage complications in the cath lab ideal for cardiologists who need a quick clinical primer on cardiac catheterization it offers easy access to information on the latest diagnostic and treatment advances

kern s cardiac catheterization handbook 7th edition open library - Feb 16 2022

web created march 4 2022 1 revision download catalog record rdf json opds wikipedia citation kern s cardiac catheterization handbook 7th edition by paul sorajja facc faha fscai morton j kern mscai faha facc 2019 media alternatives inc edition in english

kern s cardiac catheterization handbook 7th edition eu - May 02 2023

web for portable quick access to information needed at the point of care in today s cath lab look no farther than kern s cardiac catheterization handbook 7th edition this detailed authoritative guide is ideal for cardiologists who need a quick clinical primer on cardiac catheterization as well as for all members of the cardiac cath team

kern s cardiac catheterization handbook google books - Sep 25 2022

web oct 29 2019 kern s cardiac catheterization handbook paul sorajja michael j lim morton j kern elsevier oct 29 2019 medical 736 pages for portable quick access to information needed at the point

[kern s cardiac catheterization handbook 9780323597739](#) - Sep 06 2023

web for portable quick access to information needed at the point of care in today s cath lab look no farther than kern s cardiac catheterization handbook 7th edition this detailed authoritative guide is ideal for cardiologists who need a quick clinical primer on cardiac catheterization as well as for all members of the cardiac cath team

kern s cardiac catheterization handbook amazon com - Oct 07 2023

web nov 12 2019 for portable quick access to information needed at the point of care in today s cath lab look no farther than kern s cardiac catheterization handbook 7th edition this detailed authoritative guide is ideal for cardiologists who need a quick clinical primer on cardiac catheterization as well as for all members of the cardiac cath team

kern s cardiac catheterization handbook 7th ed aacn - Jul 04 2023

web this detailed authoritative guide is ideal for cardiologists who need a quick clinical primer on cardiac catheterization as well as for all members of the cardiac cath team highly readable and accessible it helps you provide optimal patient care with reliable information on the latest diagnostic and treatment advances in this fast paced field

the interventional cardiac catheterization handbook - Feb 28 2023

web packed with useful information the interventional cardiac catheterization handbook 4th edition by drs morton j kern michael j lim and paul sorajja is the perfect hands on resource for physicians nurses and technicians who need to understand and perform these complex procedures

cardiac catheterization handbook morton j kern paul sorajja - Jun 03 2023

web aug 26 2015 cardiac catheterization handbook morton j kern paul sorajja michael j lim md elsevier health sciences aug 26 2015 medical 512 pages this unique easy to access handbook returns

support for nex 7 sony usa - Dec 18 2021

web release date pdf operating instructions 302 kb 01 13 2013 pdf operating instructions notice on improvement in performance provided by the upgraded

an instructional guide for the sony nex 7 english roberta s - Mar 21 2022

web an instructional guide for the sony nex 7 english transition instruction guide an instructional guide for literature maniac magee hamilton an american musical an

sony nex 7 instruction manual operations instruction manual - Mar 01 2023

web recommended articles find what you are looking for manuals firmware drivers specifications and more camera troubleshooting guide the memory card is not

manuals for nex 7 sony uk - Jul 05 2023

web 2 03 mb 15 10 2012 pdf operating instructions notice on improvement in performance provided by the upgraded firmware 2 05 mb 15 10 2012 pdf operating instructions

sony nex 7 7k service manual pdf download manualslib - Jun 23 2022

web if you prefer a paper hard copy of a manual listed on this page you can purchase it from the true manuals web site questions answers getting started with an α alpha camera

[manuals for nex 7 sony usa](#) - Oct 08 2023

web 1 mb 06 16 2012 pdf alpha lens chart 1 2 mb 06 04 2015 pdf brochure and specifications 11 15 2011 purchase printed manuals if you prefer a paper hard copy of a

[sony nex 7 alpha manuals manualslib](#) - Oct 28 2022

web sony alpha nex 7 pdf user manual owner s manual user guide offers information and instructions how to operate the

alpha nex 7 include quick start guide basic
support for nex 7 sony canada - May 23 2022

web view and download sony nex 7 service manual online interchangeable lens digital camera nex 7 digital camera pdf
manual download also for nex 7k

sony nex 7 service manual pdf download manualslib - Apr 21 2022

web instructional guide for the sony nex 7 english for that reason simple declining grammar and other essays on the english
vocabulary dennis e baron 1989 this

sony nex 7 instruction manual pdf download manualslib - Sep 07 2023

web view and download sony nex 7 instruction manual online interchangeable lens digital camera nex 7 digital camera pdf
manual download

[sony alpha nex 7 user manual english 211 pages](#) - May 03 2023

web model 1 sort by popularity nex 7 popular topics general camera tips troubleshooting how to use your alpha or dsc
camera to live stream using the hdmi port the computer

sony nex 7 instruction manual instruction manual - Jun 04 2023

web view the manual for the sony alpha nex 7 here for free this manual comes under the category photo cameras and has
been rated by 1 people with an average of a 9 6 this

manuals for nex 7 sony id - Aug 26 2022

web to get instruction manuals help guides or download pdf documents please select your model in the list below or type the
model name in the search box recommended

sony alpha nex 7 pdf user manual guide download - Sep 26 2022

web never miss an update again find information and receive instant notifications about your product find instruction
manuals and brochures for nex 7

manuals for nex 7 sony ap sony asia pacific - Dec 30 2022

web manuals and user guides for sony nex 7 instruction manual operations we have 1 sony nex 7 instruction manual
operations manual available for free pdf download

[manuals for nex 7 series sony au sony australia](#) - Jul 25 2022

web view and download sony nex 7 7k service manual online interchangeable lens nex 7 7k digital camera pdf manual
download

an instructional guide for the sony nex 7 english 2023 - Jan 19 2022

web if you prefer a paper hard copy of a manual listed on this page you can purchase it from the true manuals web site

questions answers getting started with an α alpha camera

sony nex 7 instruction manual operations manuals - Nov 28 2022

web manuals and user guides for sony nex 7 alpha we have 11 sony nex 7 alpha manuals available for free pdf download instruction manual handbook

manuals for nex 7 sony my - Jan 31 2023

web service centres list of sony offices in asia pacific region that provide after sales service activities support by sony mobile app never miss an update again find information

an instructional guide for the sony nex 7 english download - Feb 17 2022

web an instructional guide for literature provides engaging activities that incorporate the following research based literacy skills close reading tasks text based vocabulary

manuals for nex 7 sony usa - Nov 16 2021

manuals for nex 7 series sony usa sony group portal - Apr 02 2023

web view and download sony nex 7 instruction manual operations instruction manual online interchangeable lens digital camera operations nex 7 instruction manual

manuals for nex 7 series sony uk - Aug 06 2023

web manuals questions answers to get instruction manuals help guides or download pdf documents please select your model in the list below or type the model name in

coffret tout le chat par philippe geluck bande dessinée info - May 09 2023

web tout le chat en un seul coffret parallèlement à la sortie ce mois d octobre du dix septième album du chat l ensemble des histoires du célèbre félin de philippe geluck publiées jusqu à présent fait l objet d une nouvelle édition édition en coffret

plus amoureux que jamais jeff bezos et lauren sánchez posent - Feb 23 2022

web 1 day ago jeff bezos est amoureux et le fait savoir dans le numéro de décembre de vogue us l ancien patron d amazon pose fièrement avec sa fiancée l ancienne présentatrice lauren sánchez

tout le chat coffret en 7 volumes mini albums rakuten - Jul 11 2023

web nov 6 2009 le chat tout le chat coffret en 7 volumes mini albums le chat le retour du chat la vengeance du chat le quatrième chat le chat au congo ma langue au chat le chat À malibu 4 5 3 avis

le chat coffret intégrale tout le chat télérama cultura - Aug 12 2023

web le chat coffret intégrale tout le chat télérama philippe geluck 9941240213 cultura le chat coffret intégrale tout le chat télérama par philippe geluck aux éditions casterman tout le catalogue

votre chat vous masse et vous pétrit avec ses pattes avant on - Mar 27 2022

web tout rejeter quand un chat se met à pétrir son maître ou des coussins on dit qu'il patoune un comportement étonnant mais qui s'explique très bien

alimentation pour chats et chatons royal canin - Jul 31 2022

web découvrez la nutrition santé pour votre chat sur notre nouvelle boutique en ligne retrouvez notre gamme complète d'aliments royal canin pour votre chat directement sur notre nouvelle boutique en ligne choisissez l'aliment le plus adapté à ses besoins nutritionnels quels que soient sa race son âge ou son mode de vie

amazon fr tout le chat philippe geluck livres - Apr 08 2023

web tout le chat en un seul coffret parallèlement à la sortie ce mois d'octobre du dix-septième album du chat l'ensemble des histoires du célèbre félin de philippe geluck publiées jusqu'à présent fait l'objet d'une nouvelle édition édition en coffret

coffret bd tout le chat 7 tomes télérama - Feb 06 2023

web télérama vous propose un coffret exceptionnel de 7 albums sous forme de recueils regroupant chacun 2 titres du chat de philippe geluck ainsi que 42 pages inédites inclus le chat

le chat tout le chat coffret en 16 albums philippe geluck - Jan 05 2023

web oct 19 2012 tout le chat en un seul coffret parallèlement à la sortie ce mois d'octobre du dix-septième album du chat l'ensemble des histoires du célèbre félin de philippe geluck publiées jusqu'à présent fait l'objet d'une nouvelle édition édition en coffret

tout le chat coffret bdfugue - Mar 07 2023

web oct 19 2012 tout le chat en un seul coffret parallèlement à la sortie ce mois d'octobre du dix-septième album du chat l'ensemble des histoires du célèbre félin de philippe geluck publiées jusqu'à présent fait l'objet d'une nouvelle édition édition en coffret

la boutique du chat - Sep 01 2022

web le chat prend la pose cadeau dès 60 d'achat plus d'infos le 40^e tome du chat l'album anniversaire plus d'infos découvrez nos nouvelles digigraphies découvrez tous les albums du chat et livres de geluck voir tous les albums statues le chat en 3d voir toutes les sculptures images

royal canin alimentation sur mesure pour chiens et - Apr 27 2022

web profitez de votre coffret chaton offert le cadeau de bienvenue idéal pour lui offrir les bases d'une vie en bonne santé tout savoir sur les races de chats et de chiens rejoignez nous pour célébrer la semaine du chat du 14 au 21 octobre 2023 en savoir plus oui les glucides ont un intérêt nutritionnel pour les chats et les

le chat coffret 2 volumes tome 19 le chat passe à table fnac - Oct 02 2022

web oct 8 2014 21 avis 1 coup de cœur des libraires offres sur ce produit carte fnac à 7 99 résumé voir tout depuis qu il est redescendu parmi nous par minou après avoir endossé le rôle de dieu le chat revient à sa préoccupation première nous mettre les zygomatiques en feu

le chat coffret 7 volumes tome 1 à tome 7 coffret mini chat - Nov 03 2022

web résumé ce coffret anniversaire contient 7 albums sous forme de recueils regroupant chacun 2 titres du chat t i le chat et le retour du chat t 2 la vengeance du chat et le quatrième chat t 3 le chat au congo et ma langue au chat t 4 le chat à malibu et le chat 1999 9999 t 5 l avenir du chat et le chat est content

le chat l intégrale sous coffret tout le chat fnac - Oct 14 2023

web oct 19 2012 tout le chat en un seul coffret parallèlement à la sortie ce mois d octobre du dix septième album du chat l ensemble des histoires du célèbre félin de philippe geluck publiées jusqu à présent fait l objet d une nouvelle édition édition en coffret

tout le chat coffret - Dec 04 2022

web coffret tout le chat contenant 8 mini albums regroupant chacun 2 tomes du chat mini album 1 tomes 1 2 mini album 2 tomes 3 4 mini album 3 tomes 5 6 mini album 4 tomes 7 8 mini album 5 tomes 9 10 mini album 6 tomes 11 12 mini album 7 tomes 13 14 mini album 8 tomes 15 16

tout le chat coffret la boutique du chat - Sep 13 2023

web coffret tout le chat contenant 8 mini albums regroupant chacun 2 tomes du chat mini album 1 tomes 1 2 mini album 2 tomes 3 4 mini album 3 tomes 5 6 mini album 4 tomes 7 8 mini album 5 tomes 9 10 mini album 6 tomes 11 12 mini album 7 tomes 13 14 mini album 8 tomes 15 16

le chat l intégrale sous coffret tout le chat fnac belgique - Jun 10 2023

web oct 19 2012 résumé tout le chat en un seul coffret parallèlement à la sortie ce mois d octobre du dix septième album du chat l ensemble des histoires du célèbre félin de philippe geluck publiées jusqu à présent fait l objet d une nouvelle édition édition en coffret

miaoubox le coffret cadeau pour chat heureux - Jun 29 2022

web donnez du bonheur à votre chat avec une box remplie de cadeaux de qualité choisis pour votre chat jouets friandises accessoires le cadeau idéal pour gâter votre chat

bd le chat toute la série de bd le chat cultura - May 29 2022

web série de bd le chat sur cultura alter ego de geluck le chat vous emmène dans sa vie quotidienne sous forme de gags sont au rendez vous positions politiques antimilitarisme et bien d autres sujets retrouvez la