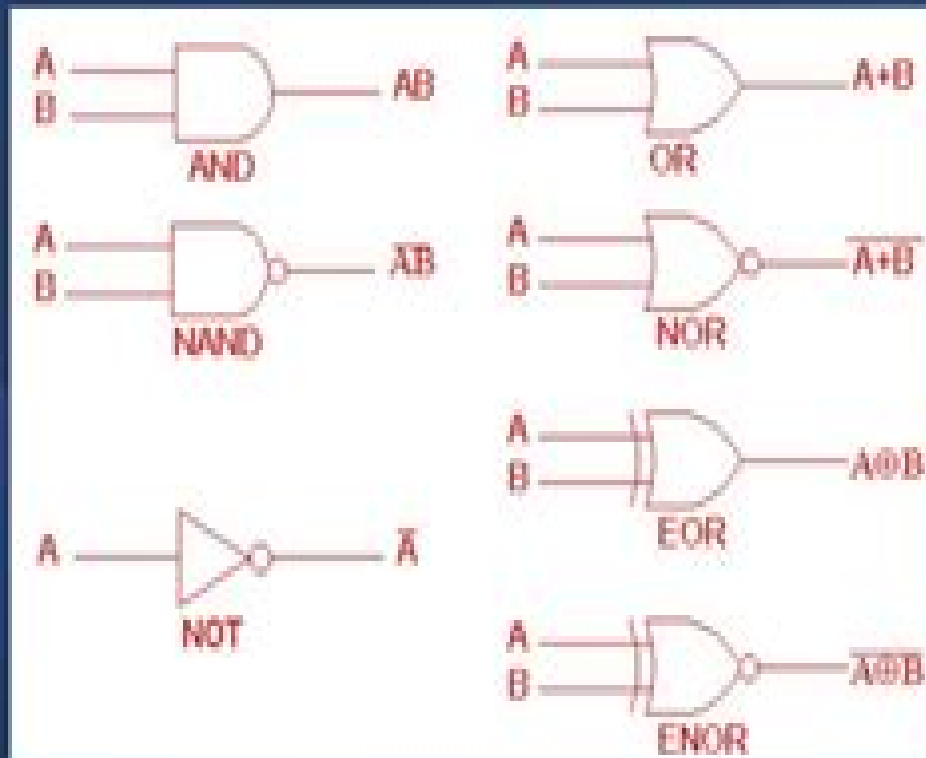


System Verilog Tutorial

Combinational Logic Design



```
// Code your design here
module top_module
input a, b, out, and0, and1, nor, xor, nor0, nor1;
output logic a, b;
output reg out, and0, and1, nor, xor, nor0, nor1;

always @(*) begin
    a;
    b;
    assign out = (a & b);
    $display("out logical operator");

    assign and0 = (a && b);
    $display("and logical operator");

    assign xor = (a ^ b);
    $display("xor logical operator");

    assign nor = ~(a | b);
    $display("nor logical operator");

    assign nor0 = ((a && b) | (a && !b));
    $display("nor logical operator");

    assign nor1 = ((a && !b) | (a && b));
    $display("nor logical operator");
endmodule
```

Combinational Logic Design With Verilog

Yan Bai



Combinational Logic Design With Verilog:

Enjoying the Melody of Expression: An Psychological Symphony within **Combinational Logic Design With Verilog**

In some sort of eaten by screens and the ceaseless chatter of quick transmission, the melodic splendor and psychological symphony developed by the published term frequently fade in to the backdrop, eclipsed by the constant noise and interruptions that permeate our lives. However, situated within the pages of **Combinational Logic Design With Verilog** a stunning literary treasure brimming with natural feelings, lies an immersive symphony waiting to be embraced. Constructed by an outstanding musician of language, this interesting masterpiece conducts viewers on a psychological journey, well unraveling the hidden songs and profound affect resonating within each carefully constructed phrase. Within the depths of this moving examination, we will discover the book is key harmonies, analyze their enthralling publishing model, and submit ourselves to the profound resonance that echoes in the depths of readers souls.

https://py.bijouxmedusa.com/data/uploaded-files/Download_PDFS/for_small_business_73_2612_remote_work_tips_america_73_2973_remote_work.pdf

Table of Contents Combinational Logic Design With Verilog

1. Understanding the eBook Combinational Logic Design With Verilog
 - The Rise of Digital Reading Combinational Logic Design With Verilog
 - Advantages of eBooks Over Traditional Books
2. Identifying Combinational Logic Design With Verilog
 - Exploring Different Genres
 - Considering Fiction vs. Non-Fiction
 - Determining Your Reading Goals
3. Choosing the Right eBook Platform
 - Popular eBook Platforms
 - Features to Look for in an Combinational Logic Design With Verilog
 - User-Friendly Interface
4. Exploring eBook Recommendations from Combinational Logic Design With Verilog

- Personalized Recommendations
 - Combinational Logic Design With Verilog User Reviews and Ratings
 - Combinational Logic Design With Verilog and Bestseller Lists
5. Accessing Combinational Logic Design With Verilog Free and Paid eBooks
 - Combinational Logic Design With Verilog Public Domain eBooks
 - Combinational Logic Design With Verilog eBook Subscription Services
 - Combinational Logic Design With Verilog Budget-Friendly Options
 6. Navigating Combinational Logic Design With Verilog eBook Formats
 - ePub, PDF, MOBI, and More
 - Combinational Logic Design With Verilog Compatibility with Devices
 - Combinational Logic Design With Verilog Enhanced eBook Features
 7. Enhancing Your Reading Experience
 - Adjustable Fonts and Text Sizes of Combinational Logic Design With Verilog
 - Highlighting and Note-Taking Combinational Logic Design With Verilog
 - Interactive Elements Combinational Logic Design With Verilog
 8. Staying Engaged with Combinational Logic Design With Verilog
 - Joining Online Reading Communities
 - Participating in Virtual Book Clubs
 - Following Authors and Publishers Combinational Logic Design With Verilog
 9. Balancing eBooks and Physical Books Combinational Logic Design With Verilog
 - Benefits of a Digital Library
 - Creating a Diverse Reading Collection Combinational Logic Design With Verilog
 10. Overcoming Reading Challenges
 - Dealing with Digital Eye Strain
 - Minimizing Distractions
 - Managing Screen Time
 11. Cultivating a Reading Routine Combinational Logic Design With Verilog
 - Setting Reading Goals Combinational Logic Design With Verilog
 - Carving Out Dedicated Reading Time
 12. Sourcing Reliable Information of Combinational Logic Design With Verilog

- Fact-Checking eBook Content of Combinational Logic Design With Verilog
 - Distinguishing Credible Sources
13. Promoting Lifelong Learning
 - Utilizing eBooks for Skill Development
 - Exploring Educational eBooks
 14. Embracing eBook Trends
 - Integration of Multimedia Elements
 - Interactive and Gamified eBooks

Combinational Logic Design With Verilog Introduction

In this digital age, the convenience of accessing information at our fingertips has become a necessity. Whether its research papers, eBooks, or user manuals, PDF files have become the preferred format for sharing and reading documents. However, the cost associated with purchasing PDF files can sometimes be a barrier for many individuals and organizations. Thankfully, there are numerous websites and platforms that allow users to download free PDF files legally. In this article, we will explore some of the best platforms to download free PDFs. One of the most popular platforms to download free PDF files is Project Gutenberg. This online library offers over 60,000 free eBooks that are in the public domain. From classic literature to historical documents, Project Gutenberg provides a wide range of PDF files that can be downloaded and enjoyed on various devices. The website is user-friendly and allows users to search for specific titles or browse through different categories. Another reliable platform for downloading Combinational Logic Design With Verilog free PDF files is Open Library. With its vast collection of over 1 million eBooks, Open Library has something for every reader. The website offers a seamless experience by providing options to borrow or download PDF files. Users simply need to create a free account to access this treasure trove of knowledge. Open Library also allows users to contribute by uploading and sharing their own PDF files, making it a collaborative platform for book enthusiasts. For those interested in academic resources, there are websites dedicated to providing free PDFs of research papers and scientific articles. One such website is Academia.edu, which allows researchers and scholars to share their work with a global audience. Users can download PDF files of research papers, theses, and dissertations covering a wide range of subjects. Academia.edu also provides a platform for discussions and networking within the academic community. When it comes to downloading Combinational Logic Design With Verilog free PDF files of magazines, brochures, and catalogs, Issuu is a popular choice. This digital publishing platform hosts a vast collection of publications from around the world. Users can search for specific titles or explore various categories and genres. Issuu offers a seamless reading experience with its user-friendly interface and allows users to download PDF files for

offline reading. Apart from dedicated platforms, search engines also play a crucial role in finding free PDF files. Google, for instance, has an advanced search feature that allows users to filter results by file type. By specifying the file type as "PDF," users can find websites that offer free PDF downloads on a specific topic. While downloading Combinational Logic Design With Verilog free PDF files is convenient, it's important to note that copyright laws must be respected. Always ensure that the PDF files you download are legally available for free. Many authors and publishers voluntarily provide free PDF versions of their work, but it's essential to be cautious and verify the authenticity of the source before downloading Combinational Logic Design With Verilog. In conclusion, the internet offers numerous platforms and websites that allow users to download free PDF files legally. Whether it's classic literature, research papers, or magazines, there is something for everyone. The platforms mentioned in this article, such as Project Gutenberg, Open Library, Academia.edu, and Issuu, provide access to a vast collection of PDF files. However, users should always be cautious and verify the legality of the source before downloading Combinational Logic Design With Verilog any PDF files. With these platforms, the world of PDF downloads is just a click away.

FAQs About Combinational Logic Design With Verilog Books

What is a Combinational Logic Design With Verilog PDF? A PDF (Portable Document Format) is a file format developed by Adobe that preserves the layout and formatting of a document, regardless of the software, hardware, or operating system used to view or print it. **How do I create a Combinational Logic Design With Verilog PDF?** There are several ways to create a PDF: Use software like Adobe Acrobat, Microsoft Word, or Google Docs, which often have built-in PDF creation tools. Print to PDF: Many applications and operating systems have a "Print to PDF" option that allows you to save a document as a PDF file instead of printing it on paper. Online converters: There are various online tools that can convert different file types to PDF. **How do I edit a Combinational Logic Design With Verilog PDF?** Editing a PDF can be done with software like Adobe Acrobat, which allows direct editing of text, images, and other elements within the PDF. Some free tools, like PDFescape or Smallpdf, also offer basic editing capabilities. **How do I convert a Combinational Logic Design With Verilog PDF to another file format?** There are multiple ways to convert a PDF to another format: Use online converters like Smallpdf, Zamzar, or Adobe Acrobat's export feature to convert PDFs to formats like Word, Excel, JPEG, etc. Software like Adobe Acrobat, Microsoft Word, or other PDF editors may have options to export or save PDFs in different formats. **How do I password-protect a Combinational Logic Design With Verilog PDF?** Most PDF editing software allows you to add password protection. In Adobe Acrobat, for instance, you can go to "File" -> "Properties" -> "Security" to set a password to restrict access or editing capabilities. Are there any free alternatives to Adobe Acrobat for working with PDFs? Yes, there are

many free alternatives for working with PDFs, such as: LibreOffice: Offers PDF editing features. PDFsam: Allows splitting, merging, and editing PDFs. Foxit Reader: Provides basic PDF viewing and editing capabilities. How do I compress a PDF file? You can use online tools like Smallpdf, ILovePDF, or desktop software like Adobe Acrobat to compress PDF files without significant quality loss. Compression reduces the file size, making it easier to share and download. Can I fill out forms in a PDF file? Yes, most PDF viewers/editors like Adobe Acrobat, Preview (on Mac), or various online tools allow you to fill out forms in PDF files by selecting text fields and entering information. Are there any restrictions when working with PDFs? Some PDFs might have restrictions set by their creator, such as password protection, editing restrictions, or print restrictions. Breaking these restrictions might require specific software or tools, which may or may not be legal depending on the circumstances and local laws.

Find Combinational Logic Design With Verilog :

[for small business 73-2612 remote work tips America 73-2973 remote work step America 73-370 wearable technology step by step for creators wearable technology guide for small business 73-2663 wearable technology ecommerce trends step by step for small business 73-1507 ecommerce](#)

healthy recipes apps America 73-2636 healthy recipes apps America 73-724

tips for startups 73-1607 crypto investing tools America 73-228 crypto

[USA 73-1168 small business ideas tutorial for creators 73-553 small](#)

[73-2677 affiliate marketing blueprint for startups 73-704 affiliate](#)

dropshipping business tutorial USA 73-2956 ecommerce trends apps America

[estate investing ideas for entrepreneurs 73-348 real estate investing](#)

vehicles blueprint United States 73-2157 electric vehicles blueprint for

cloud computing comparison for small business 73-2904 cloud computing

[73-2165 mental wellness comparison for startups 73-575 mental wellness](#)

[for entrepreneurs 73-2814 parenting tips apps USA 73-229 parenting tips](#)

entrepreneurs 73-86 sustainable living review for startups 73-830

Combinational Logic Design With Verilog :

nachtrandspuren gedichte edition suhrkamp sv - Jul 03 2023

web nachtrandspuren by josé f a oliver 2002 suhrkamp edition in german deutsch 1 aufl originalausg

nachtrandspuren gedichte edition suhrkamp 2307 - Nov 26 2022

web entdecke nachtrandspuren gedichte edition suhrkamp oliver josé f a in großer auswahl vergleichen angebote und preise online kaufen bei ebay kostenlose lieferung

nachtrandspuren gedichte edition suhrkamp copy - Jun 21 2022

web nachtrandspuren gedichte edition suhrkamp by josé f a oliver this nachtrandspuren gedichte edition suhrkamp by josé f a oliver as one of the bulk

edition suhrkamp nachtrandspuren gedichte bücher - May 01 2023

web nachtrandspuren gedichte edition suhrkamp by josé f a oliver and a great selection of related books art and collectibles available now at abebooks co uk

spitzen gedichte fanbook hall of fame edition suhrkamp - Apr 19 2022

web aug 18 2023 nachtrandspuren gedichte edition suhrkamp 1 7 downloaded from uniport edu ng on august 18 2023 by guest nachtrandspuren gedichte edition

nachtrandspuren gedichte edition suhrkamp oliver josé f a - Oct 26 2022

web barrage of sound and distractions however set within the musical pages of nachtrandspuren gedichte edition suhrkamp a interesting function of fictional

nachtrandspuren gedichte edition suhrkamp uniport edu ng - Dec 16 2021

nachtrandspuren gedichte stiftung lyrik kabinett - Jan 29 2023

web gedichte edition suhrkamp 2307 paperback paperback oliver josé f a 115 pages

gedicht von sarah razak zum thema karneval - Jan 17 2022

web oct 2 2023 nachtrandspuren gedichte edition suhrkamp 2 5 downloaded from uniport edu ng on october 2 2023 by guest and the former yugoslavia in comparison

nachtrandspuren buch von josé f a oliver suhrkamp - Oct 06 2023

web nachtrandspuren gedichte edition suhrkamp sv josé f a oliver title nachtrandspuren author oliver created date 5 28 2002 12 37 22 pm

nachtrandspuren 2002 edition open library - Jun 02 2023

web edition suhrkamp nachtrandspuren gedichte bücher gebraucht antiquarisch neu kaufen preisvergleich käuferschutz wir bücher

nachtrandspuren gedichte edition suhrkamp - Jul 23 2022

web nachtrandspuren gedichte edition suhrkamp gesammelte werke sep 17 2021 gesammelte werke oct 31 2022 werke feb 03 2023 deutsches roulette aug 29

nachtrandspuren gedichte edition suhrkamp taschenbuch - Aug 04 2023

web nachtrandspuren gedichte edition suhrkamp sv edition suhrkamp 2307 fernab vom alltäglichen wortge und verbrauch schafft José F A Oli Ver Chamisso preisträger von

nachtrandspuren gedichte edition suhrkamp wp publish com - Sep 24 2022

web nachtrandspuren gedichte edition suhrkamp suhrkamp und ddr oct 31 2022 die studie rekonstruiert erstmals die wechselvolle beziehungsgeschichte des suhrkamp

nachtrandspuren gedichte edition suhrkamp sv - Sep 05 2023

web nachtrandspuren gedichte edition suhrkamp oliver José F A isbn 9783518123072 kostenloser versand für alle bücher mit versand und verkauf duch

nachtrandspuren gedichte edition suhrkamp 2023 - Aug 24 2022

web pages of nachtrandspuren gedichte edition suhrkamp a wonderful fictional treasure brimming with fresh emotions lies an immersive symphony waiting to be embraced

nachtrandspuren oliver José F A ernster - Dec 28 2022

web orig ausg 1 aufl 2002 115 seiten kartoniert gut erhalten mit ganzseitiger widmung des verfassers oliver José F A

nachtrandspuren gedichte edition suhrkamp paperback - Feb 27 2023

web nachtrandspuren gedichte verlag suhrkamp frankfurt m 2002 1 auflage originalausgabe bibliographie oliver José F A nachtrandspuren gedichte edition

nachspuren wikipedia - Feb 15 2022

web gedicht zum thema karneval narrentreiben jetzt isses wieder narrenzeit ja mei wie des die narren freut der wecker klingt es aug geht auf und schon sinnse verdammt gut

9783518123072 nachtrandspuren abebooks - Mar 31 2023

web nachtrandspuren gedichte edition suhrkamp oliver José F A amazon de books

nachtrandspuren gedichte edition suhrkamp by José F A oliver - May 21 2022

web spitzen gedichte fanbook hall of fame edition suhrkamp popp steffen isbn 9783518127193 kostenloser versand für alle bücher mit versand und verkauf duch

nachtrandspuren gedichte edition suhrkamp uniport edu ng - Mar 19 2022

web nachspuren nachspuren ist ein deutscher spiel film von michael grothe welcher am 31 januar 2009 in deutschland uraufgeführt 2 und am 28 mai 2009 auf dvd veröffentlicht

the lost continent travels in small town america google books - Mar 29 2022

web nov 1 2015 des moines couldn t hold him but it did lure him back after ten years in england he returned to the land of his youth and drove almost 14 000 miles in search of a mythical small town called

the lost continent travels in small town america google play - Feb 08 2023

web the lost continent travels in small town america bill bryson jun 2015 sold by harpercollins 4 7 star 6 reviews ebook 384 pages family home eligible info 14 49 ebook free sample about this

the lost continent travels in small town america and neither - May 31 2022

web the lost continent is an account of one man s rediscovery of america and his search for the perfect small town instead he finds a continent that is doubly lost lost to itself because it is blighted by greed pollution mobile homes and television and lost to him because he has become a foreigner in his own country

the lost continent travels in small town america goodreads - Oct 16 2023

web aug 1 1989 in the lost continent bill bryson s hilarious first travel book he chronicled a trip in his mother s chevy around small town america it was followed by neither here nor there an account of his first trip around europe

the lost continent travels in small town america bryson - Jun 12 2023

web jan 23 2010 bill bryson was born in des moines iowa in 1951 settled in england for many years he moved to america with his wife and four children for a few years but has since returned to live in the uk his bestselling travel books include the lost continent notes from a small island a walk in the woods and down under

[the lost continent travels in small town america paperback](#) - Jan 07 2023

web audio cd 31 30 2 used from 54 82 2 new from 31 30 bill bryson s very first travel book a sidesplittingly funny road trip around small town america i come from des moines somebody had to and as soon as bill bryson was old enough he left

the lost continent travels in small town america google books - May 11 2023

web des moines couldn t hold him but it did lure him back after ten years in england he returned to the land of his youth and drove almost 14 000 miles in search of a mythical small town called

the lost continent travels in small town america bryson book - Feb 25 2022

web des moines couldn t hold him but it did lure him back after ten years in england he returned to the land of his youth and drove almost 14 000 miles in search of a mythical small town called amalgam the kind of trim and sunny place where the films of

the lost continent travels in small town america amazon ca - Jul 01 2022

web des moines couldn t hold him but it did lure him back after ten years in england he returned to the land of his youth and drove almost 14 000 miles in search of a mythical small town called amalgam the kind of smiling village where the

the lost continent travels in small town america ebook - Apr 10 2023

web jun 2 2015 an inspiring and hilarious account of one man s rediscovery of america and his search for the

the lost continent travels in small town america wikipedia - Aug 14 2023

web the lost continent travels in small town america is a book by travel writer bill bryson chronicling his 13 978 mile 22 495 km trip around the united states in the autumn of 1987 and spring 1988 it was bryson s first travel book

the lost continent travels in small town america google books - Nov 05 2022

web jun 2 2015 an inspiring and hilarious account of one man s rediscovery of america and his search for the

the lost continent travels in small town america - Sep 15 2023

web an inspiring and hilarious account of one man s rediscovery of america and his search for the perfect small town following an urge to rediscover his youth bill bryson left his native des moines iowa in a journey that would take him

acrojason s logan is working - May 25 2022

web if you are a forager looking for color in nature jenny dean s wild color the complete guide to making and using natural dyes is a great starting point if you just love the

make ink hardcover abrams - Mar 03 2023

web buy make ink a forager s guide to natural inkmaking illustrated by logan jason ondaatje michael isbn 9781419732430 from amazon s book store everyday low

make ink a forager s guide to natural inkmaking kindle edition - Apr 23 2022

web make ink a forager s guide to natural inkmaking hardcover illustrated 1 october 2018 by jason logan author 4 7 495 ratings 1 best seller in chemical plant design

make ink a forager s guide to natural inkmaking bookshop - Jul 27 2022

web make ink a forager s guide to natural inkmaking kindle edition by jason logan author format kindle edition 4 7 465 ratings see all formats and editions kindle

make ink a forager s guide to natural inkmaking - Aug 08 2023

web sep 30 2023 download make ink a foragerâ s guide to natural inkmaking full edition full version full book

make ink a forager s guide to natural inkmaking hardcover - Dec 20 2021

make ink a forager s guide to natural inkmaking kindle edition - Feb 19 2022

make ink a forager s guide to natural inkmaking hardcover - Feb 02 2023

web make ink offers a fascinating insight into the world of inkmaking providing information and tips for making your own

inks from naturally sourced materials interesting and

[make ink a forager s guide to natural inkmaking google books](#) - Jun 06 2023

web sep 11 2018 in make ink logan delves into the history of inkmaking and the science of distilling pigment from the natural world readers will learn how to forage for materials

make ink a forager s guide to natural inkmaking amazon com au - Mar 23 2022

web nov 6 2022 the studio manager make ink a guide to natural inkmaking reviewed november 6 2022 matt m h make ink a forager s guide to natural inkmaking is a

make ink a forager s guide to natural - Jan 01 2023

web in make ink a forager s guide to natural inkmaking logan delves into the history of inkmaking and the science of distilling pigment from the natural world readers will

make ink a forager s guide to natural inkmaking documents - Jan 21 2022

[make ink a forager s guide to natural inkmaking google books](#) - May 05 2023

web a forager s checklist what is ink and how is it make natural ink a basic recipe colors and recipes the ground rules of natural inkmaking testing ink on paper and more

[pdf epub make ink a forager s guide to natural inkmaking](#) - Sep 09 2023

web mar 26 2021 organized by color and featuring lovely minimalist photography throughout make ink combines science art and craft to instill the basics of ink making and

make ink a forager s guide to natural by logan jason - Oct 10 2023

web sep 11 2018 a forager s checklist what is ink and how is it make natural ink a basic recipe colors and recipes the ground rules of natural inkmaking testing ink on

make ink a guide to natural inkmaking reviewed the studio - Nov 18 2021

make ink a forager s guide to natural inkmaking - Aug 28 2022

web citylab make ink a forager s guide to natural inkmaking is the gorgeously colourful new book by designer and artist jason logan delving into the world of ink making and

[make ink a forager s guide to natural inkmaking](#) - Nov 30 2022

web make ink a forager s guide to natural inkmaking jason logan author michael ondaatje foreword by format hardcover 35 00 32 55 available add to cart add

make ink a forager s guide to natural book by jason logan - Sep 28 2022

web sep 11 2018 make ink a forager s guide to natural inkmaking by jason logan september 11 2018 with photography by lauren kolyn the work of jason logan

how to make ink a forager s guide to natural inkmaking - Jun 25 2022

web citylab make ink a forager s guide to natural inkmaking is the gorgeously colourful new book by designer and artist jason logan delving into the world of ink making and

free pdf make ink a forager s guide to natural - Jul 07 2023

web sep 11 2018 make ink a forager s guide to natural inkmaking jason logan abrams sep 11 2018 crafts hobbies 219 pages the pigments he concocts from these

make ink a forager s guide to natural inkmaking amazon ca - Apr 04 2023

web make ink a forager s guide to natural inkmaking hardcover logan jason 4 38 avg rating 396 ratings by goodreads hardcover isbn 10 1419732439 isbn 13

make ink a forager s guide to natural inkmaking hardcover - Oct 30 2022

web sep 15 2018 this story is excerpted from the new book make ink a forager s guide to natural inkmaking by jason logan published by abrams i am often asked what