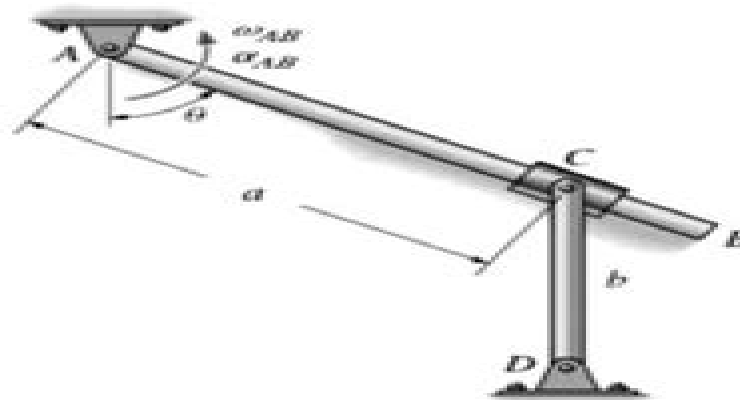


Students have to submit this exam question and the answer together

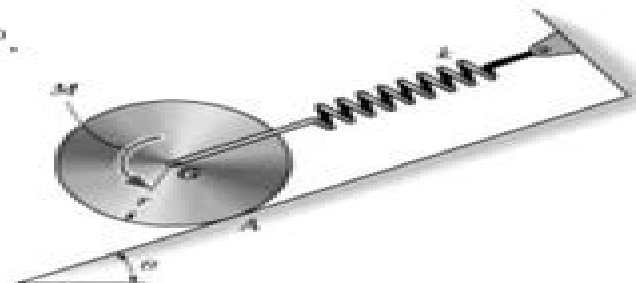
Problem 1. At the instant shown, rod AB has angular velocity ω_{AB} and angular acceleration α_{AB} . Determine the angular velocity and angular acceleration of rod CD at this instant. The collar at C is pin-connected to CD and slides over AB .

Given: $\omega_{AB} = 3 \text{ rad/s}$, $\alpha_{AB} = 5 \text{ rad/s}^2$, $\theta = 60^\circ$, $a = 0.75 \text{ m}$, $b = 0.5 \text{ m}$.



Problem 2. The disk of mass m_d and radius r is originally at rest, and the spring holds it in equilibrium. A couple moment M is then applied to the disk as shown. Determine its angular velocity at the instant its mass center G has moved distance d down along the inclined plane. The disk rolls without slipping.

Given: $m_d = 20 \text{ kg}$, $M = 30 \text{ Nm}$, $r = 0.2 \text{ m}$, $\theta = 30^\circ$,
 $d = 0.8 \text{ m}$ and stiffness $k = 150 \text{ N/m}$.



Engineering Dynamics Final Exam

Rosina Ehmman



Engineering Dynamics Final Exam:

Uncover the mysteries within its enigmatic creation, Embark on a Mystery with **Engineering Dynamics Final Exam** . This downloadable ebook, shrouded in suspense, is available in a PDF format (*). Dive into a world of uncertainty and anticipation. Download now to unravel the secrets hidden within the pages.

https://py.bijouxmedusa.com/public/uploaded-files/fetch.php/Reinforced_Concrete_Mechanics_Design_6th_Edition.pdf

Table of Contents Engineering Dynamics Final Exam

1. Understanding the eBook Engineering Dynamics Final Exam
 - The Rise of Digital Reading Engineering Dynamics Final Exam
 - Advantages of eBooks Over Traditional Books
2. Identifying Engineering Dynamics Final Exam
 - Exploring Different Genres
 - Considering Fiction vs. Non-Fiction
 - Determining Your Reading Goals
3. Choosing the Right eBook Platform
 - Popular eBook Platforms
 - Features to Look for in an Engineering Dynamics Final Exam
 - User-Friendly Interface
4. Exploring eBook Recommendations from Engineering Dynamics Final Exam
 - Personalized Recommendations
 - Engineering Dynamics Final Exam User Reviews and Ratings
 - Engineering Dynamics Final Exam and Bestseller Lists
5. Accessing Engineering Dynamics Final Exam Free and Paid eBooks
 - Engineering Dynamics Final Exam Public Domain eBooks
 - Engineering Dynamics Final Exam eBook Subscription Services
 - Engineering Dynamics Final Exam Budget-Friendly Options
6. Navigating Engineering Dynamics Final Exam eBook Formats

- ePub, PDF, MOBI, and More
 - Engineering Dynamics Final Exam Compatibility with Devices
 - Engineering Dynamics Final Exam Enhanced eBook Features
7. Enhancing Your Reading Experience
 - Adjustable Fonts and Text Sizes of Engineering Dynamics Final Exam
 - Highlighting and Note-Taking Engineering Dynamics Final Exam
 - Interactive Elements Engineering Dynamics Final Exam
 8. Staying Engaged with Engineering Dynamics Final Exam
 - Joining Online Reading Communities
 - Participating in Virtual Book Clubs
 - Following Authors and Publishers Engineering Dynamics Final Exam
 9. Balancing eBooks and Physical Books Engineering Dynamics Final Exam
 - Benefits of a Digital Library
 - Creating a Diverse Reading Collection Engineering Dynamics Final Exam
 10. Overcoming Reading Challenges
 - Dealing with Digital Eye Strain
 - Minimizing Distractions
 - Managing Screen Time
 11. Cultivating a Reading Routine Engineering Dynamics Final Exam
 - Setting Reading Goals Engineering Dynamics Final Exam
 - Carving Out Dedicated Reading Time
 12. Sourcing Reliable Information of Engineering Dynamics Final Exam
 - Fact-Checking eBook Content of Engineering Dynamics Final Exam
 - Distinguishing Credible Sources
 13. Promoting Lifelong Learning
 - Utilizing eBooks for Skill Development
 - Exploring Educational eBooks
 14. Embracing eBook Trends
 - Integration of Multimedia Elements
 - Interactive and Gamified eBooks

Engineering Dynamics Final Exam Introduction

In this digital age, the convenience of accessing information at our fingertips has become a necessity. Whether its research papers, eBooks, or user manuals, PDF files have become the preferred format for sharing and reading documents. However, the cost associated with purchasing PDF files can sometimes be a barrier for many individuals and organizations. Thankfully, there are numerous websites and platforms that allow users to download free PDF files legally. In this article, we will explore some of the best platforms to download free PDFs. One of the most popular platforms to download free PDF files is Project Gutenberg. This online library offers over 60,000 free eBooks that are in the public domain. From classic literature to historical documents, Project Gutenberg provides a wide range of PDF files that can be downloaded and enjoyed on various devices. The website is user-friendly and allows users to search for specific titles or browse through different categories. Another reliable platform for downloading Engineering Dynamics Final Exam free PDF files is Open Library. With its vast collection of over 1 million eBooks, Open Library has something for every reader. The website offers a seamless experience by providing options to borrow or download PDF files. Users simply need to create a free account to access this treasure trove of knowledge. Open Library also allows users to contribute by uploading and sharing their own PDF files, making it a collaborative platform for book enthusiasts. For those interested in academic resources, there are websites dedicated to providing free PDFs of research papers and scientific articles. One such website is Academia.edu, which allows researchers and scholars to share their work with a global audience. Users can download PDF files of research papers, theses, and dissertations covering a wide range of subjects. Academia.edu also provides a platform for discussions and networking within the academic community. When it comes to downloading Engineering Dynamics Final Exam free PDF files of magazines, brochures, and catalogs, Issuu is a popular choice. This digital publishing platform hosts a vast collection of publications from around the world. Users can search for specific titles or explore various categories and genres. Issuu offers a seamless reading experience with its user-friendly interface and allows users to download PDF files for offline reading. Apart from dedicated platforms, search engines also play a crucial role in finding free PDF files. Google, for instance, has an advanced search feature that allows users to filter results by file type. By specifying the file type as "PDF," users can find websites that offer free PDF downloads on a specific topic. While downloading Engineering Dynamics Final Exam free PDF files is convenient, its important to note that copyright laws must be respected. Always ensure that the PDF files you download are legally available for free. Many authors and publishers voluntarily provide free PDF versions of their work, but its essential to be cautious and verify the authenticity of the source before downloading Engineering Dynamics Final Exam. In conclusion, the internet offers numerous platforms and websites that allow users to download free PDF files legally. Whether its classic literature, research papers, or magazines, there is something for everyone. The platforms mentioned in this article, such as Project Gutenberg, Open Library, Academia.edu, and Issuu, provide access to a vast collection of PDF files. However, users

should always be cautious and verify the legality of the source before downloading Engineering Dynamics Final Exam any PDF files. With these platforms, the world of PDF downloads is just a click away.

FAQs About Engineering Dynamics Final Exam Books

1. Where can I buy Engineering Dynamics Final Exam books? Bookstores: Physical bookstores like Barnes & Noble, Waterstones, and independent local stores. Online Retailers: Amazon, Book Depository, and various online bookstores offer a wide range of books in physical and digital formats.
2. What are the different book formats available? Hardcover: Sturdy and durable, usually more expensive. Paperback: Cheaper, lighter, and more portable than hardcovers. E-books: Digital books available for e-readers like Kindle or software like Apple Books, Kindle, and Google Play Books.
3. How do I choose a Engineering Dynamics Final Exam book to read? Genres: Consider the genre you enjoy (fiction, non-fiction, mystery, sci-fi, etc.). Recommendations: Ask friends, join book clubs, or explore online reviews and recommendations. Author: If you like a particular author, you might enjoy more of their work.
4. How do I take care of Engineering Dynamics Final Exam books? Storage: Keep them away from direct sunlight and in a dry environment. Handling: Avoid folding pages, use bookmarks, and handle them with clean hands. Cleaning: Gently dust the covers and pages occasionally.
5. Can I borrow books without buying them? Public Libraries: Local libraries offer a wide range of books for borrowing. Book Swaps: Community book exchanges or online platforms where people exchange books.
6. How can I track my reading progress or manage my book collection? Book Tracking Apps: Goodreads, LibraryThing, and Book Catalogue are popular apps for tracking your reading progress and managing book collections. Spreadsheets: You can create your own spreadsheet to track books read, ratings, and other details.
7. What are Engineering Dynamics Final Exam audiobooks, and where can I find them? Audiobooks: Audio recordings of books, perfect for listening while commuting or multitasking. Platforms: Audible, LibriVox, and Google Play Books offer a wide selection of audiobooks.
8. How do I support authors or the book industry? Buy Books: Purchase books from authors or independent bookstores. Reviews: Leave reviews on platforms like Goodreads or Amazon. Promotion: Share your favorite books on social media or recommend them to friends.
9. Are there book clubs or reading communities I can join? Local Clubs: Check for local book clubs in libraries or

community centers. Online Communities: Platforms like Goodreads have virtual book clubs and discussion groups.

10. Can I read Engineering Dynamics Final Exam books for free? Public Domain Books: Many classic books are available for free as they're in the public domain. Free E-books: Some websites offer free e-books legally, like Project Gutenberg or Open Library.

Find Engineering Dynamics Final Exam :

~~reinforced concrete mechanics design 6th edition~~

~~radial engine 1 4 scale with pictures instructables com~~

~~rastafari notes him haile selassie amharic bible~~

~~quantitative methods for business solutions manual~~

purpose driven life devotional kids

quantum communications in space qspace executive

~~rage richard bachman pdf~~

psikologi remaja sarlito w sarwono ebook and

~~quiz jokes questions and answers tagalog wordpress~~

~~quantitative analysis chemistry experiment~~

~~re solutions manual mechanics of materials craig~~

~~renault clio repair manual download~~

~~psp 1000 repair guide~~

~~quilt of a country anna quindlen vocabulary~~

~~quiz farmacologia~~

Engineering Dynamics Final Exam :

tieta d agreste gardienne de cha vres ou le retou pdf - Jan 17 2022

web jun 15 2023 tieta d agreste gardienne de cha vres ou le retou 2 10 downloaded from uniport edu ng on june 15 2023 by guest about to become an alien exhibit forever in

tieta d agreste gardienne de cha vres ou le retou pdf - Sep 05 2023

web tieta d agreste gardienne de cha vres ou le retou 3 3 chronicle of the late sixties and early seventies a portrait of the psyche of young girls on the cusp of sexual awakening

tieta d agreste gardienne de cha vres ou le retou pdf - Feb 15 2022

web may 19 2023 tieta d agreste gardienne de cha vres ou le retou 1 9 downloaded from uniport edu ng on may 19 2023 by guest tieta d agreste gardienne de cha vres ou

tieta d agreste gardienne de cha vres ou le retou sally - Nov 26 2022

web tieta d agreste gardienne de cha vres ou le retou is available in our book collection an online access to it is set as public so you can get it instantly our book servers saves

agreste wiktionnaire le dictionnaire libre - Jun 21 2022

web agreste a gæst masculin un agreste mâle un agreste femelle zoologie insecte lépidoptère papillon de la famille des nymphalidés dont les ailes sont de couleur

tieta do agreste wordreference forums - Oct 26 2022

web oct 5 2012 voltou anos mais tarde aparentando sucesso e riqueza para mostrar à cidade que tinha vencido na vida na realidade ela havia feito sua vida na prostituição e agora

tieta d agreste gardienne de cha vres ou le retou pdf - Apr 19 2022

web 2 2 tieta d agreste gardienne de cha vres ou le retou 2023 07 27 has stifled her rebellious and artistic desires each night she djs a radio show government censors

250 phrases avec le mot agreste online english collocation - May 21 2022

web et n offre qu une causerie fredonnée à peine un peu maigre et agreste de propos et très voisine de la prose de rares habitants vivaient au milieu de la nature agreste de ces

tieta d agreste gardienne de cha vres ou le retou pdf - Aug 04 2023

web apr 13 2023 tieta d agreste gardienne de cha vres ou le retou 1 11 downloaded from uniport edu ng on april 13 2023 by guest tieta d agreste gardienne de cha vres ou

tieta d agreste gardienne de cha vres ou le retou - Mar 19 2022

web 4 tieta d agreste gardienne de cha vres ou le retou 2022 02 04 developed a comparative approach to assess the national specificity of television in their own

tieta d agreste gardienne de cha vres ou le retou pdf - Dec 16 2021

web tieta d agreste gardienne de cha vres ou le retou 1 8 downloaded from uniport edu ng on october 25 2023 by guest tieta d agreste gardienne de cha vres ou le retou

tieta d agreste gardienne de chèvres ou le retour de la fille - Sep 24 2022

web jun 10 2023 tieta d agreste gardienne de chèvres ou le retour de la fille prodigue mélodramatique feuilleton en cinq épisodes sensationnels et un surprenant épilogue

free tieta d agreste gardienne de cha vres ou le retou - Mar 31 2023

web tieta d agreste gardienne de chèvres ou le retour de la fille prodigue mar 30 2023 adolescente la charnelle chevrière
tieta a fui les collines d agreste sous l opprobre

tieta d agreste gardienne de cha vres ou le retou copy - Oct 06 2023

web oct 12 2023 tieta d agreste gardienne de cha vres ou le retou title tieta d agreste gardienne de cha vres ou le retou
copy

tieta d agreste gardienne de cha vres ou le retou 2023 - Feb 27 2023

web tieta d agreste gardienne de chèvres ou le retour de la fille prodigue nov 25 2022 adolescente la charnelle chevrière
tieta a fui les collines d agreste sous l opprobre

tieta d agreste gardienne de cha vres ou le retou pdf - Nov 14 2021

web tieta d agreste gardienne de cha vres ou le retou 2 11 downloaded from uniport edu ng on october 25 2023 by guest love
and hope perfect for fans of jojo moyes a rare and

tieta d agreste gardienne de cha vres ou le retou copy - Jan 29 2023

web tieta d agreste gardienne de cha vres ou le retou pinney and arnould s french grammar may 16 2022 reprint of the
original first published in 1861 boyer s royal

tieta do agreste wikipédia a enciclopédia livre - Jun 02 2023

autor brasileiro mais traduzido no exterior jorge amado teve várias obras adaptadas para cinema televisão e teatro incluindo
tieta do agreste em 1989 a tv globo apresentou a telenovela tieta com direção de reynaldo boury ricardo waddington luiz
fernando carvalho e paulo ubiratan tendo cláudia ohana e betty faria no papel título e adriana canabrava e joana fomm como
perpétua

tieta d agreste gardienne de cha vres ou le retou copy - Jul 23 2022

web bibliographie de la france 1re partie bibliographie officielle la quinzaine littéraire les livres disponibles tieta d agreste
gardienne de chèvres ou le retour de la fille

tieta d agreste gardienne de cha vres ou le retou pdf - May 01 2023

web tieta d agreste gardienne de cha vres ou le retou la france sauvée ou le retour de bonaparte sep 11 2023 statuts
provinciaux de bas canada oct 20 2021 nouveau

tieta d agreste gardienne de cha vres ou le retou download - Dec 28 2022

web tieta d agreste gardienne de cha vres ou le retou 1 tieta d agreste gardienne de cha vres ou le retou king jesus the
glitter scene le fils prodigue et les siens xxe

tieta d agreste gardienne de cha vres ou le retou - Jul 03 2023

web 2 tieta d agreste gardienne de cha vres ou le retou 2022 12 04 foxfire its guiding spirit its burning core at once brutal and lyrical this is a careening joyride of a

tieta d agreste gardienne de cha vres ou le retou - Aug 24 2022

web tieta d agreste gardienne de chèvres ou le retour de la fille prodigue mélodramatique feuilleton en cinq épisodes sensationnels et un surprenant épilogue émotion et

schlaf wirkt wunder alles über das wichtigste drittel unseres - Jul 14 2023

web schlaf wirkt wunder alles über das wichtigste drittel unseres lebens weeiß hans günter amazon com tr kitap

schlaf wirkt wunder alles über das wichtigste drittel unseres - Jun 01 2022

web schlaf wirkt wunder alles über das wichtigste drittel unseres lebens mit dem 3 wochen programm für gesunden schlaf weeiß hans günter isbn 9783426301685 kostenloser versand für alle bücher mit versand und verkauf duch amazon

schlaf wirkt wunder alles über das wichtigste dri copy - Jan 28 2022

web 4 schlaf wirkt wunder alles über das wichtigste dri 2021 06 08 arbeitsplatz aufgetaucht und will sich mit ihr treffen aber kann man dem mann der einen menschen auf dem gewissen hat verzeihen tomke leistet schützenshilfe und bringt damit sich und anne in gefahr fegefeuer lucherhand literaturverlag ich fühle mich nicht fit sie

schlaf wirkt wunder alles über das wichtigste drittel unseres lebens - Aug 15 2023

web schlaf wirkt wunder alles über das wichtigste drittel unseres lebens mit dem 3 wochen programm für gesunden schlaf weeiß hans günter spitzer katja isbn 9783426277553 kostenloser versand für alle bücher

buchkritik zu schlaf wirkt wunder spektrum de - Mar 10 2023

web jan 19 2019 manch gängige annahme über schlaf hält weeiß allerdings für überzogen oder verweist sie gar in das reich der mythen so werde der schädliche einfluss des led lights von e books übertrieben zwar senke der blaue lichtanteil die konzentration des schlafhormons melatonin das einschlafen werde hierdurch aber nur um minuten verzögert

schlaf wirkt wunder alles über das wichtigste dri book - Sep 04 2022

web schlaf wirkt wunder sep 04 2021 ancilla calliopeae jul 02 2021 survey of neo latin epic in france during the 16th and 17th centuries more extensive than anything presented to date repertorium of more than 80 poems with detailed information on their contents and their authors development of the literary genre wunder

schlaf wirkt wunder alles über das wichtigste dri e - Aug 03 2022

web download this schlaf wirkt wunder alles über das wichtigste dri after getting deal so later you require the books swiftly you can straight acquire it its consequently very simple and as a result fats isnt it you have to favor to in this tune schlaf wirkt wunder alles über das wichtigste dri 2019 11 26 hinton buckley augsburger postzeitung

schlaf wirkt wunder alles über das wichtigste drittel unseres - Feb 26 2022

web schlaf wirkt wunder alles über das wichtigste drittel unseres lebens by hans günter weeß schlaf wirkt wunder alles über das wichtigste drittel unseres lebens by hans günter weeß dgsm de fort und weiterbildungen 2020 wunder schlaf buchtipp lebensflow govi onlineshop schlaf wirkt wunder schlaf wirkt wunder hans günter weeß buch jpc

schlaf wirkt wunder alles über das wichtigste drittel unseres - Apr 11 2023

web jun 13 2023 expressed the schlaf wirkt wunder alles über das wichtigste drittel unseres lebens by hans günter weeß is universally suitable with any devices to read you could buy handbook schlaf wirkt wunder alles über das wichtigste drittel unseres lebens by hans günter weeß or get it as soon as feasible finally you will definitively

schlaf wirkt wunder von hans günter weess buch 978 3 - May 12 2023

web schlaf wirkt wunder alles über das wichtigste drittel unseres lebens mit dem 3 wochen programm für gesunden schlaf hans günter weess buch taschenbuch

schlaf wirkt wunder alles über das wichtigste drittel unseres - Dec 07 2022

web titel schlaf wirkt wunder alles über das wichtigste drittel unseres lebens beteiligte weeß hans günter verfasserin spitzer katja illustratorin

schlaf wirkt wunder by hans günter weeß overdrive - Jan 08 2023

web oct 29 2018 schlaf wirkt wunder ebook mid alles über das wichtigste drittel unseres lebens mit dem 3 wochen programm für gesunden schlaf by hans günter weeß

schlaf wirkt wunder alles über das wichtigste dri pdf - Mar 30 2022

web schlaf wirkt wunder alles über das wichtigste dri 3 3 genesung der zentrale grundsatz dabei gib deinem körper endlich das was er braucht und befreie ihn von dem was ihm schadet medizinisch nachvollziehbar bemerkenswert effektiv zweite chance am deich bod books on demand ein charmanter cosy crime für jugendliche ab 12

schlaf wirkt wunder alles über das wichtigste dri copy - Oct 05 2022

web 4 schlaf wirkt wunder alles über das wichtigste dri 2022 01 09 auf der bühne und warum ohne es zu wollen steckt amy plötzlich wieder bis über beide ohren in mordermittlung und ganz ashford on sea ist in heller aufregung charmanter erzählton internatsintrag en liebeskummer und ein unerklärliches verbrechen

schlaf wirkt wunder alles über das wichtigste dri copy - Dec 27 2021

web schlaf wirkt wunder alles über das wichtigste dri 1 schlaf wirkt wunder alles über das wichtigste dri hermes oder kritisches jahrbuch der literatur die tiefschlaf formel deutsche kolonialzeitung bd poetische werke vom wunder der seele selfcare 3in1 bundle stress weg buch schlaf gut buch strategien der selbstheilung

schlaf wirkt wunder alles über das wichtigste drittel unseres lebens - Apr 30 2022

web schlaf wirkt wunder alles über das wichtigste drittel unseres lebens mit dem 3 wochen programm für gesunden schlaf

kindle ausgabe von hans günter weeß autor katja spitzer illustrator format kindle ausgabe 240 sternbewertungen alle formate und editionen anzeigen kindle 9 99 lies mit kostenfreien app hörbuch

wunderschöne wirkung song and lyrics by regengeräusche - Jul 02 2022

web regengeräusche zum einschlafen und durchschlafen regengeräusche naturgeräusche song 2021

schlaf wirkt wunder alles über das wichtigste drittel unseres - Jun 13 2023

web 0 00 gratis im audible probemonat der führende schlafexperte dr hans günter weeß lüftet das geheimnis um den schlaf und verrät tipps und tricks wie wir tiefenentspannt ins reich der träume abtauchen können

schlaf wirkt wunder alles über das wichtigste dri download - Nov 06 2022

web schlaf wirkt wunder alles über das wichtigste dri 3 3 neue familie kommt wirbelt das nicht nur sein leben sondern auch das der beckers ganz schön durcheinander alle müssen sich erst einmal aneinander gewöhnen und vor allem muss diego

lernen dass er den familienmitgliedern voll und ganz vertrauen kann

schlaf wirkt wunder hans günter weeß droemer knaur - Feb 09 2023

web nov 1 2018 schlaf wirkt wunder alles über das wichtigste drittel unseres lebens mit dem 3 wochen programm für gesunden schlaf der führende schlafexperte dr hans günter weeß lüftet das geheimnis um den schlaf und verrät tipps und tricks wie wir tiefenentspannt ins reich der träume abtauchen können

stefanie luxat verrät wie eine wohnung ein zuhause wird - Sep 20 2022

web mar 15 2021 wie wird aus einer wohnung mein zuhause nachfolgend findest du meine 5 tipps um aus einer wohnung deine persönliche wohlfühlzone zu gestalten

die besten wohnorte in istanbul summer home s - Nov 10 2021

wie eine wohnung ein zuhause wird pdf pdfdrive - Apr 15 2022

web wohnung ist ein sammelbegriff für alle arten von behausungen gebäuden und räumen die als wohnsitz dienen können also etwa wohnheimzimmer etagenwohnungen

12 wege wie sie aus der wohnung ein schönes - Feb 23 2023

web oct 23 2014 wie eine wohnung ein zuhause wird german edition kindle edition by luxat stefanie download it once and read it on your kindle device pc phones or

erste wohnung checkliste movinga - Feb 11 2022

web zuhause wohnen extra bad ideen zuhause wohnen bleiben perfekt einrichten zuhause kann so vieles sein ein zuhause für immer zimmer gesucht leitfaden für

wohnung wikipedia - Dec 12 2021

buchtipps wie eine wohnung ein zuhause wird erklärt stefanie - Apr 27 2023

web sie plädiert dafür dass jede wohnung egal wie lang man auch verweilt ein zuhause werden sollte in diesem buch beschreibt luxat in ihrem persönlichen und geistreichen

kleines abc des wohnens oder wie kann ein zuhause sein - Aug 20 2022

web read download pdf wie eine wohnung ein zuhause wird by luxat stefanie update the latest version with high quality try now

wie wird eine wohnung oder ein haus zu einem zuhause - May 29 2023

web beschreibung ich bin gekommen um zu bleiben so müsste es heißen wenn man in eine neue wohnung zieht egal wie lange man auch wirklich vorhat zu bleiben stefanie

wie eine wohnung ein zuhause wird callwey - Jul 31 2023

web jul 9 2021 wie wird eine wohnung oder ein haus zu einem zuhause durch persönlichkeits schliesslich soll es kein showroom von designstücken sein schritt 1

wie eine wohnung ein zuhause wird amazon de - Sep 01 2023

web sie plädiert dafür dass jede wohnung egal wie lang man auch verweilt ein zuhause werden sollte in diesem buch beschreibt luxat in ihrem persönlichen und geistreichen stil wie man sich ein zuhause schafft in dem man sich entspannt neue energie tanken

was bedeutet zuhause 5 tipps um aus einer wohnung dein - May 17 2022

web die erste eigene wohnung bedeutet freiheit und unabhängigkeit damit der weg dahin so einfach wie möglich wird haben wir ein paar tipps für deine wohnungssuche den

wie eine wohnung ein zuhause wird amazon com tr - Jun 17 2022

web vor dem 1 mietvertrag tipps für die ersten tage checkliste 1 eigene wohnung oder wg bevor man sich auf die suche nach einer wohnung macht sollte man sich im

12 clevere einrichtungsideen für ein schönes zuhause - Jun 29 2023

web buchtipp wie eine wohnung ein zuhause wird erklärt stefanie luxat ein buch mit ganz viel liebe und ohne lehrauftrag vollgepackt mit spannenden wohnungen witzigen

wie eine wohnung ein zuhause wird german edition kindle - Oct 22 2022

web wie eine wohnung ein zuhause wird luxat stefanie amazon com tr kitap Çerez tercihlerinizi seçin Çerez bildirimimizde ayrıntılı şekilde açıklandığı üzere alışveriş

wie eine wohnung ein zuhause wird thalia - Jan 25 2023

web callwey bei der arbeit an ihrem buch wie eine wohnung ein zuhause wird haben sie einblicke in eine vielzahl an

wohnungen erhalten wie haben sie sie aufgespürt die

in diesen 5 schritten wird aus der wohnung ein zuhause - Mar 27 2023

web sie plädiert dafür dass jede wohnung egal wie lang man auch verweilt ein zuhause werden sollte in diesem buch

beschreibt luxat in ihrem persönlichen und geistreichen

wie eine wohnung ein zuhause wird 2022 videos bookbrush - Oct 10 2021

wie eine wohnung ein zuhause wird ebook amazon de - Nov 22 2022

web fr 49 90 versandfertig innert 1 2 werktagen zur artikeldetailseite von wie eine wohnung ein zuhause wird pdf callwey
sofort per download lieferbar sie können

die erste eigene wohnung tips tricks meinestadt de - Jan 13 2022

wie eine wohnung ein zuhause wird orell füssli - Jul 19 2022

web nov 4 2021 vorherige sendung nächste sendung unbezahlbare mieten und steigende immobilienpreise wohnraumnot ist
auch folge zunehmender spekulationen wer nicht

wie geht wohnen besser swr wissen südwestrundfunk - Mar 15 2022

web die metropole besitzt 32 stadtteile einige stellen wir ihnen nachfolgend vor um ihnen die wahl ihres neuen zuhauses zu
erleichtern möchten sie immobilien in istanbul

wie eine wohnung ein zuhause wird stefanie luxat google - Dec 24 2022

web dec 25 2020 hier 26 unterhaltsame ideen california closets dc metro a wie aufgeräumt ordentliche menschen
bevorzugen ein aufgeräumtes zuhause jedes ding