

Activity - Practice with Complex Circuits

$$V = IR$$

Part I

In the circuits below, the voltage of the battery is 12 V and each resistor is 2 Ω. For each circuit:

- Describe the circuit and any assumptions you make. Which resistors are in series? Which are in parallel?
- Calculate the current through each resistor and the voltage across each resistor.

$$\text{Total: } 8 + 2 = 10$$

$$\text{Series} = 2 + 2 + 2 + 2 = 8 \Omega$$

$$\text{Parallel} = \frac{1}{2} = 2 \Omega$$

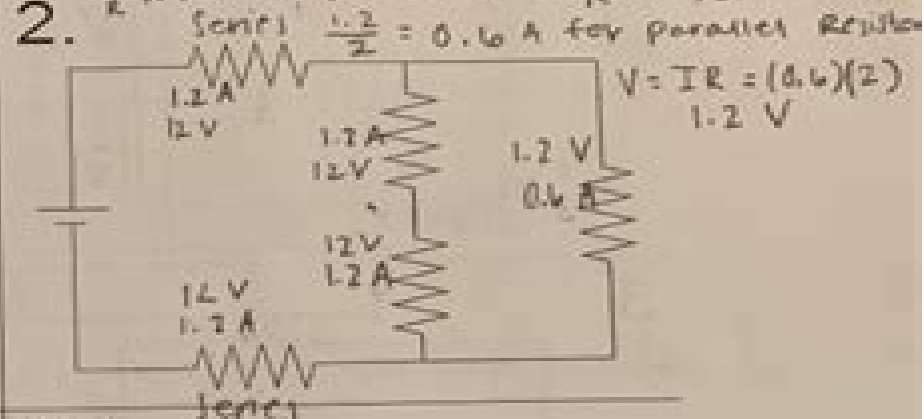
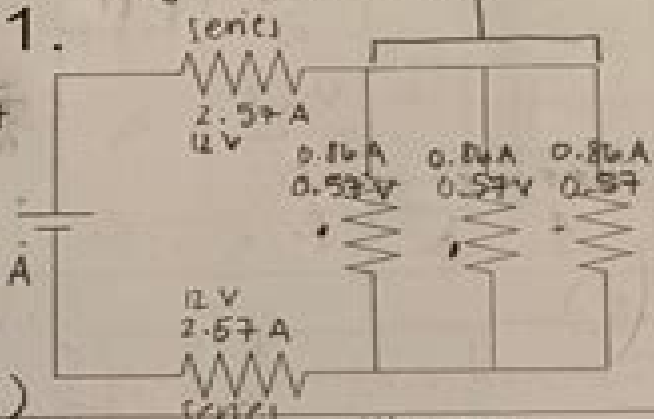
$$V = IR \rightarrow I = \frac{V}{R} = \frac{12}{10} = 1.2 \text{ A}$$

$$A = \frac{2 \Omega}{4.67} (12)$$

5.13

$$2 + 2 = 4 \Omega (\text{series}) \quad \frac{1}{2} + \frac{1}{2} + \frac{1}{2} = \frac{3}{2} = \frac{2}{3} (\text{parallel})$$

$$4 + \frac{2}{3} = 4.67 \Omega = \text{total}$$



$$V = IR$$

$$I = \frac{V}{R} = \frac{12}{4.67}$$

$$I = 2.57$$

$$\frac{2.57 \text{ A}}{3} = 0.86 \text{ A}$$

$$V = IR$$

$$V = (0.86) (2)$$

$$V = 0.57 \text{ V}$$

3.

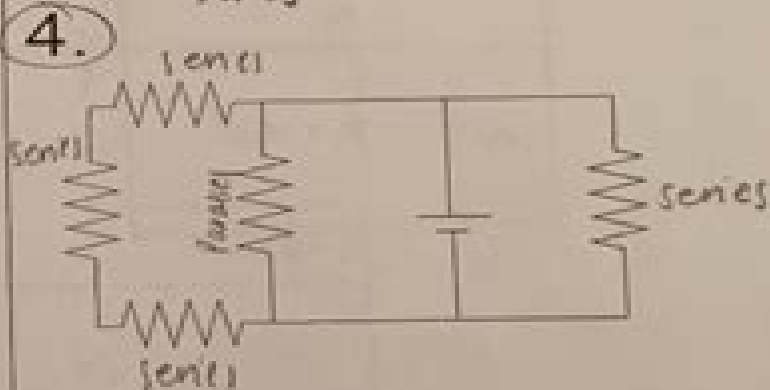
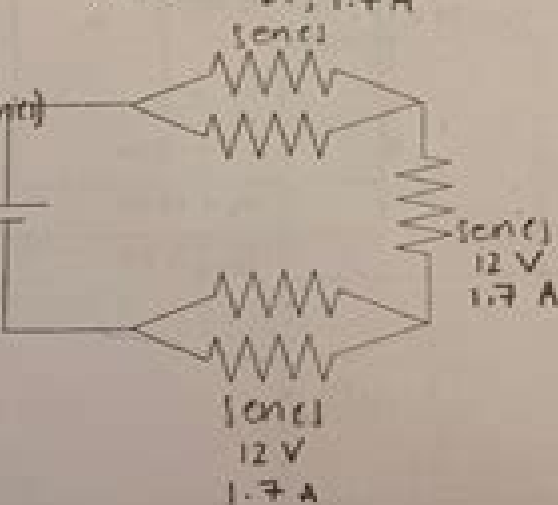
$$\text{Total } R = 6 + 1 = 7 \Omega$$

$$2 + 2 + 2 = 6 \Omega (\text{series})$$

$$\frac{1}{2} + \frac{1}{2} = \frac{2}{2} = 1 \Omega (\text{parallel})$$

$$V = IR$$

$$I = \frac{V}{R} = \frac{12}{7} = 1.7 \text{ A}$$



Complex Circuit Problems And Solutions

LL Leslie



Complex Circuit Problems And Solutions:

The Enigmatic Realm of **Complex Circuit Problems And Solutions**: Unleashing the Language is Inner Magic

In a fast-paced digital era where connections and knowledge intertwine, the enigmatic realm of language reveals its inherent magic. Its capacity to stir emotions, ignite contemplation, and catalyze profound transformations is nothing in short supply of extraordinary. Within the captivating pages of **Complex Circuit Problems And Solutions** a literary masterpiece penned by way of a renowned author, readers embark on a transformative journey, unlocking the secrets and untapped potential embedded within each word. In this evaluation, we shall explore the book's core themes, assess its distinct writing style, and delve into its lasting impact on the hearts and minds of those who partake in its reading experience.

<https://py.bijouxmedusa.com/About/scholarship/index.jsp/Stock%20Market%20Ideas%20For%20Creators%2084%201236%20Stock%20Market%20Review%20America.pdf>

Table of Contents Complex Circuit Problems And Solutions

1. Understanding the eBook Complex Circuit Problems And Solutions
 - The Rise of Digital Reading Complex Circuit Problems And Solutions
 - Advantages of eBooks Over Traditional Books
2. Identifying Complex Circuit Problems And Solutions
 - Exploring Different Genres
 - Considering Fiction vs. Non-Fiction
 - Determining Your Reading Goals
3. Choosing the Right eBook Platform
 - Popular eBook Platforms
 - Features to Look for in an eBook Platform
 - User-Friendly Interface
4. Exploring eBook Recommendations from Complex Circuit Problems And Solutions
 - Personalized Recommendations
 - eBook Platform User Reviews and Ratings

- Complex Circuit Problems And Solutions and Bestseller Lists
- 5. Accessing Complex Circuit Problems And Solutions Free and Paid eBooks
 - Complex Circuit Problems And Solutions Public Domain eBooks
 - Complex Circuit Problems And Solutions eBook Subscription Services
 - Complex Circuit Problems And Solutions Budget-Friendly Options
- 6. Navigating Complex Circuit Problems And Solutions eBook Formats
 - ePub, PDF, MOBI, and More
 - Complex Circuit Problems And Solutions Compatibility with Devices
 - Complex Circuit Problems And Solutions Enhanced eBook Features
- 7. Enhancing Your Reading Experience
 - Adjustable Fonts and Text Sizes of Complex Circuit Problems And Solutions
 - Highlighting and Note-Taking Complex Circuit Problems And Solutions
 - Interactive Elements Complex Circuit Problems And Solutions
- 8. Staying Engaged with Complex Circuit Problems And Solutions
 - Joining Online Reading Communities
 - Participating in Virtual Book Clubs
 - Following Authors and Publishers Complex Circuit Problems And Solutions
- 9. Balancing eBooks and Physical Books Complex Circuit Problems And Solutions
 - Benefits of a Digital Library
 - Creating a Diverse Reading Collection Complex Circuit Problems And Solutions
- 10. Overcoming Reading Challenges
 - Dealing with Digital Eye Strain
 - Minimizing Distractions
 - Managing Screen Time
- 11. Cultivating a Reading Routine Complex Circuit Problems And Solutions
 - Setting Reading Goals Complex Circuit Problems And Solutions
 - Carving Out Dedicated Reading Time
- 12. Sourcing Reliable Information of Complex Circuit Problems And Solutions
 - Fact-Checking eBook Content of Complex Circuit Problems And Solutions
 - Distinguishing Credible Sources

13. Promoting Lifelong Learning
 - Utilizing eBooks for Skill Development
 - Exploring Educational eBooks
14. Embracing eBook Trends
 - Integration of Multimedia Elements
 - Interactive and Gamified eBooks

Complex Circuit Problems And Solutions Introduction

In today's digital age, the availability of Complex Circuit Problems And Solutions books and manuals for download has revolutionized the way we access information. Gone are the days of physically flipping through pages and carrying heavy textbooks or manuals. With just a few clicks, we can now access a wealth of knowledge from the comfort of our own homes or on the go. This article will explore the advantages of Complex Circuit Problems And Solutions books and manuals for download, along with some popular platforms that offer these resources. One of the significant advantages of Complex Circuit Problems And Solutions books and manuals for download is the cost-saving aspect. Traditional books and manuals can be costly, especially if you need to purchase several of them for educational or professional purposes. By accessing Complex Circuit Problems And Solutions versions, you eliminate the need to spend money on physical copies. This not only saves you money but also reduces the environmental impact associated with book production and transportation. Furthermore, Complex Circuit Problems And Solutions books and manuals for download are incredibly convenient. With just a computer or smartphone and an internet connection, you can access a vast library of resources on any subject imaginable. Whether you're a student looking for textbooks, a professional seeking industry-specific manuals, or someone interested in self-improvement, these digital resources provide an efficient and accessible means of acquiring knowledge. Moreover, PDF books and manuals offer a range of benefits compared to other digital formats. PDF files are designed to retain their formatting regardless of the device used to open them. This ensures that the content appears exactly as intended by the author, with no loss of formatting or missing graphics. Additionally, PDF files can be easily annotated, bookmarked, and searched for specific terms, making them highly practical for studying or referencing. When it comes to accessing Complex Circuit Problems And Solutions books and manuals, several platforms offer an extensive collection of resources. One such platform is Project Gutenberg, a nonprofit organization that provides over 60,000 free eBooks. These books are primarily in the public domain, meaning they can be freely distributed and downloaded. Project Gutenberg offers a wide range of classic literature, making it an excellent resource for literature enthusiasts. Another popular platform for Complex Circuit Problems And Solutions books and manuals is Open Library. Open Library is an initiative of the Internet Archive, a non-profit organization dedicated to digitizing cultural

artifacts and making them accessible to the public. Open Library hosts millions of books, including both public domain works and contemporary titles. It also allows users to borrow digital copies of certain books for a limited period, similar to a library lending system. Additionally, many universities and educational institutions have their own digital libraries that provide free access to PDF books and manuals. These libraries often offer academic texts, research papers, and technical manuals, making them invaluable resources for students and researchers. Some notable examples include MIT OpenCourseWare, which offers free access to course materials from the Massachusetts Institute of Technology, and the Digital Public Library of America, which provides a vast collection of digitized books and historical documents. In conclusion, Complex Circuit Problems And Solutions books and manuals for download have transformed the way we access information. They provide a cost-effective and convenient means of acquiring knowledge, offering the ability to access a vast library of resources at our fingertips. With platforms like Project Gutenberg, Open Library, and various digital libraries offered by educational institutions, we have access to an ever-expanding collection of books and manuals. Whether for educational, professional, or personal purposes, these digital resources serve as valuable tools for continuous learning and self-improvement. So why not take advantage of the vast world of Complex Circuit Problems And Solutions books and manuals for download and embark on your journey of knowledge?

FAQs About Complex Circuit Problems And Solutions Books

1. Where can I buy Complex Circuit Problems And Solutions books? Bookstores: Physical bookstores like Barnes & Noble, Waterstones, and independent local stores. Online Retailers: Amazon, Book Depository, and various online bookstores offer a wide range of books in physical and digital formats.
2. What are the different book formats available? Hardcover: Sturdy and durable, usually more expensive. Paperback: Cheaper, lighter, and more portable than hardcovers. E-books: Digital books available for e-readers like Kindle or software like Apple Books, Kindle, and Google Play Books.
3. How do I choose a Complex Circuit Problems And Solutions book to read? Genres: Consider the genre you enjoy (fiction, non-fiction, mystery, sci-fi, etc.). Recommendations: Ask friends, join book clubs, or explore online reviews and recommendations. Author: If you like a particular author, you might enjoy more of their work.
4. How do I take care of Complex Circuit Problems And Solutions books? Storage: Keep them away from direct sunlight and in a dry environment. Handling: Avoid folding pages, use bookmarks, and handle them with clean hands. Cleaning: Gently dust the covers and pages occasionally.

5. Can I borrow books without buying them? Public Libraries: Local libraries offer a wide range of books for borrowing. Book Swaps: Community book exchanges or online platforms where people exchange books.
6. How can I track my reading progress or manage my book collection? Book Tracking Apps: Goodreads, LibraryThing, and Book Catalogue are popular apps for tracking your reading progress and managing book collections. Spreadsheets: You can create your own spreadsheet to track books read, ratings, and other details.
7. What are Complex Circuit Problems And Solutions audiobooks, and where can I find them? Audiobooks: Audio recordings of books, perfect for listening while commuting or multitasking. Platforms: Audible, LibriVox, and Google Play Books offer a wide selection of audiobooks.
8. How do I support authors or the book industry? Buy Books: Purchase books from authors or independent bookstores. Reviews: Leave reviews on platforms like Goodreads or Amazon. Promotion: Share your favorite books on social media or recommend them to friends.
9. Are there book clubs or reading communities I can join? Local Clubs: Check for local book clubs in libraries or community centers. Online Communities: Platforms like Goodreads have virtual book clubs and discussion groups.
10. Can I read Complex Circuit Problems And Solutions books for free? Public Domain Books: Many classic books are available for free as they're in the public domain. Free E-books: Some websites offer free e-books legally, like Project Gutenberg or Open Library.

Find Complex Circuit Problems And Solutions :

[stock market ideas for creators 84-1236](#) [stock market review America](#)

[startups 84-107](#) [weight loss review USA 84-2372](#) [weight loss review USA](#)

84-166 retirement planning for beginners for creators 84-2563 retirement

[AI marketing apps for creators 84-488](#) [AI marketing apps for creators](#)

[estate investing tips for small business 84-529](#) [real estate investing](#)

for creators 84-1568 sustainable living review America 84-2119

[remote jobs best practices America 84-414](#) [remote jobs best practices for](#)

blueprint for startups 84-2412 remote jobs case study America 84-1752

84-2944 online business tutorial for small business 84-1728 online

ecommerce trends case study for startups 84-1815 ecommerce trends case

[84-2808 productivity hacks tutorial for creators 84-2480 productivity](#)

for startups 84-135 digital marketing case study for startups 84-792
tools for creators 84-754 online privacy tools for small business
startups 84-2611 home organization tools USA 84-72 home organization
marketplace checklist for small business 84-140 NFT marketplace

Complex Circuit Problems And Solutions :

precious moments little book of prayers amazon com - Apr 10 2023

web buy the little book of prayers prayer book bible verse book devotionals for women and men little books illustrated by chronicle books isbn 9781452163307 from

the little book of prayers house of joppa - Nov 24 2021

pregnant awaiting mothers programme 12th - Sep 22 2021

the little book of prayers paperback barnes noble - Mar 09 2023

web the perfect gift for seekers the curious and the spiritually hungry the little book of prayers now has a stunning new cover and a more prayer book-like format gathered

the little book of prayers kindle edition amazon com - Aug 02 2022

web dec 2 2013 adapted from the little book of prayers this calendar is a surprising accessible collection of common and uncommon prayers including beautiful celtic

a little book of prayers from old english sources - Sep 03 2022

web author alternate script none 60 pages 16 x 18 cm a collection of familiar and less well known prayers and poems from a variety of sources christian jewish muslim and

the little book of prayers a collection of prayers - Aug 14 2023

web the little book of prayer discover 101 prayers to help you deepen your connection the lord sign up to receive updates and new prayers from knolly click to sign up

the little book of prayers none free download borrow and - Apr 29 2022

web oct 2 2022 this work was published before january 1 1928 and is in the public domain worldwide because the author died at least 100 years ago

the little book of prayers google books - Nov 05 2022

web full of wisdom hope and opportunities for contemplation this elegant little book features more than 75 classic christian

prayers paired with beautiful illustrations taken from

the little book of prayers a collection of prayers from around - Mar 29 2022

web full of wisdom hope and opportunities for contemplation this elegant little book features more than 75 classic catholic

prayers paired with beautiful illustrations taken from

the little book of prayers chronicle books - Feb 25 2022

web a collection of more than seventy five classic christian prayers accompanied by beautiful vintage illustrations full of wisdom hope and opportunities for contemplation this

the little book of prayers david schiller google books - Oct 04 2022

web apr 30 2015 the little book of prayers addresses the process protocols and positions of prayer with practical and insightful help that will encourage its readers to pray

the little book of prayers google books - Feb 08 2023

web the perfect gift for seekers the curious and the spiritually hungry the little book of prayers now has a stunning new cover and a more prayer book like format gathered

the little book of prayer - Jun 12 2023

web sep 10 2013 the perfect gift for seekers the curious and the spiritually hungry the little book of prayers now has a stunning new cover and a more prayer book like format

the little book of prayers prayer book bible verse - Jan 07 2023

web a little book of prayers from old english sources by gasquet francis aidan cardinal 1846 1929 ed catholic truth society publication date 1900 usage public domain mark

the little book of prayers a collection of prayers from - May 11 2023

web jan 1 1996 the little book of prayers david schiller workman publishing jan 1 1996 religion 400 pages the perfect gift for seekers the curious and the spiritually hungry

precious moments little book of prayers barnes noble - Jan 27 2022

web pregnant awaitng mothers programme 12th september 2023 stay connected and be blessed
zionprayermovementoutreach zpmom

the little book of prayers by david schiller goodreads - Jul 13 2023

web buy the little book of prayers a collection of prayers from around the world and across time by david schiller david schiller isbn 9780761177586 from amazon s book

a little book of prayers from old english sources - Dec 26 2021

the little book of prayers prayer book bible verse book - Jul 01 2022

web full of wisdom hope and opportunities for contemplation this elegant little book features more than 75 classic christian prayers paired with beautiful illustrations taken from

the little book of prayers google books - May 31 2022

web sep 10 2013 inspire little ones to pray precious moments little book of prayers is a colorful board book that teaches little ones ages 2 4 prayers for thankfulness praise

the little book of prayers e kitap chronicle books storytel - Oct 24 2021

the little book of prayers prayer book bible verse book - Dec 06 2022

web sep 10 2013 the little book of prayers kindle edition by schiller david download it once and read it on your kindle device pc phones or tablets use features like

clinical dermatology a color guide to diagnosis and therapy - Feb 08 2023

web description trusted by general dermatologists family physicians nurse practitioners physician assistants and more habif s clinical dermatology a color guide to

clinical dermatology a color guide to diagnosis and therapy 6e - Jan 27 2022

web clinical dermatology a color guide to diagnosis and therapy clinical dermatology habif by thomas p habif md and thomas p habif oct 31 2003 4 8 42

habif s clinical dermatology 7th edition elsevier - Sep 03 2022

web description trusted by general dermatologists family physicians nurse practitioners physician assistants and more habif s clinical dermatology a color guide to

habif s clinical dermatology 7th edition 9780323612692 elsevier - Dec 26 2021

web habif clinical dermatology 4th edition 1 12 downloaded from uniport edu ng on april 8 2023 by guest habif clinical dermatology 4th edition this is likewise one of the

clinical dermatology a color guide to diagnosis and therapy 4th - Mar 29 2022

web jun 9 2015 habif s clinical dermatology a color guide to diagnosis and therapy 7th edition this manual helps you identify treat and manage even hard to diagnose skin

clinical dermatology a color guide to diagnosis and therapy - Apr 10 2023

web dec 10 2019 habif clinical dermatology e book trusted by general dermatologists family physicians nurse practitioners physician assistants and more habif s clinical

habif s clinical dermatology 7th edition us elsevier health - Jan 07 2023

web clinical dermatology by thomas p habif 2004 mosby edition in english 4th ed

habif clinical dermatology pdf free download - Oct 04 2022

web dec 10 2019 description trusted by general dermatologists family physicians nurse practitioners physician assistants and more habif s clinical dermatology a color

clinical dermatology e book thomas p habif google books - Aug 14 2023

web clinical dermatology e book thomas p habif elsevier health sciences nov 25 2009 medical 1040 pages widely recognized as the world s leading dermatology manual

clinical dermatology a color guide to diagnosis and therapy 4th - Nov 05 2022

web clinical dermatology 4th edition read more photoaging basic and clinical dermatology read more retinoids and carotenoids in dermatology basic and

habifclinicaldermatology4thedition pdf - Sep 22 2021

clinical dermatology a color guide to diagnosis and therapy - Apr 29 2022

web apr 23 2015 no promo code is needed offer details description identify treat and manage the full range of skin diseases with guidance from clinical dermatology a

clinical dermatology google books - Jul 13 2023

web thomas p habif mosby 2004 dermatology 1004 pages completely revised and updated the 4th edition of this popular reference presents a wealth of new features to

clinical dermatology by thomas p habif open library - Dec 06 2022

web may 1 2004 clinical dermatology a color guide to diagnosis and therapy 4th edition by t p habif st louis mosby inc 2004 1004 pages 149 may 2004

clinical dermatology a color guide to diagnosis and - Jul 01 2022

web clinical dermatology a color guide to diagnosis and therapy by habif thomas p publication date 1996 topics dermatology atlases skin diseases atlases skin

clinical dermatology 6th edition elsevier - Feb 25 2022

web feb 26 2020 trusted by general dermatologists family physicians nurse practitioners physician assistants and more habif s clinical dermatology a color guide to

habif s clinical dermatology a color guide to diagnosis - Jun 12 2023

web apr 23 2015 clinical dermatology e book thomas p habif elsevier health sciences apr 23 2015 medical 1064 pages identify treat and manage the full range of skin

habif clinical dermatology e book google books - Mar 09 2023

web summary completely revised and updated the 4th edition of this popular reference presents a wealth of new features to enable readers to identify treat and manage skin

habif clinical dermatology 4th edition uniport edu - Oct 24 2021

habif s clinical dermatology 7th edition elsevier uk - Aug 02 2022

web thomas p habif s clinical dermatology a color guide to diagnosis and therapy will excite even those for whom rash is a tiresome chief complaint from cover to cover

clinical dermatology e book thomas p habif google books - May 11 2023

web clinical dermatology a color guide to diagnosis and therapy 4th edition by habif md thomas p habif thomas p hardcover on amazon com free shipping on

amazon com clinical dermatology habif - Nov 24 2021

web the next step advanced medical coding and auditing 2017 2018 edition e book clinical dermatology 4th ed 9780323026192 ken 08 0060 clinical dermatology

clinical dermatology a color guide to diagnosis and therapy - May 31 2022

web clinical dermatology a color guide to diagnosis and therapy 4 th edition by t p habif st louis mosby inc 2004 1004 pages 149

noveltech character vocal enhancer native sound on sound - Sep 25 2022

web noveltech s character and vocal enhancer are designed to scratch those hitherto unreachable itches but for many years they were available only for the now defunct tc powercore platform the good news is that both are now available as native plug ins which use plugin alliance s dongle free authorisation system all the common mac and

the best offers on music production plugins including vsts - Nov 27 2022

web noveltech vocal enhancer take your first steps into vocal mixing and enhance clarity and polish in your tracks with nectar 4 elements creative fx secret weapon 199 izotope nectar 4 standard elevate your vocals with nectar 4 standard an intuitive suite of ai powered tools for vocal production

noveltech vocal enhancer manual plugin alliance - Jan 30 2023

web about noveltech from finland noveltech solutions ltd was founded to commercialize novel technologies resulting from scientific research for more vocal enhancer is optimized for human voices but it can also deliver great results on other material such as complete mixes try using it to ever so subtly adding air to your mix

noveltechaudio - Jun 03 2023

web with vocal enhancer in your corner you should be able to get a great sound from just about any decent singer regardless of the microphone type noveltech vocal enhancer introduction and overview noveltech vocal enhancer video review contact us name phone email subject message 0 180 send noveltech solutions

noveltech vocal enhancer free version download for pc - Aug 25 2022

web jun 6 2023 noveltech vocal enhancer 1 4 is available as a free download on our software library the latest version of the software can be downloaded for pcs running windows xp 7 8 10 11 both 32 and 64 bit noveltech vocal enhancer is included in multimedia tools the most popular versions among noveltech vocal enhancer users

noveltech vocal enhancer gearspace com - Feb 16 2022

web sep 9 2014 noveltech vocal enhancer this seems to be a very cool plugin and is advertised as an auto eq and compressor my question is this a tool that replaces using an eq and compressor or do you still have to use those dedicated plugins to do the heavy lifting and use the vocal enhancer as a finishing tool i was messing with a

noveltech vocal enhancer free download get into pc - Jul 24 2022

web oct 10 2019 noveltech vocal enhancer is designed with intelligent adaptive filtering technology which process on frequencies and dynamics both with the included technology and features users can create joyful and pleasing sounds and provides users with various settings and controls to access the depth and definition of vocal tracks various

noveltech vocal enhancer plug in sweetwater - May 22 2022

web make your vocals shine like never before with noveltech audio s vocal enhancer plug in this plug in gives your vocals a crisp and natural sound without adding any unwanted artifacts noveltech audio s patent pending iaf engine intelligent adaptive filtering constantly adapts to the source material to give you exact and precise enhancements

noveltech vocal enhancer video review youtube - Apr 20 2022

web feb 16 2013 noveltech claim that their new vocal enhancer can help get vocals better sat in mixes russ tests the claim and the plug in see what he thinks

vocal enhancer brainworx - May 02 2023

web noveltech vocal enhancer overview the easy way to get great vocals vocal enhancer intelligently enhances the relevant characteristics found in the source material automatically adjusting complex sets of parameters via just a few intuitive controls this innovative approach allows users to get to the desired results with almost instant

about us noveltech - Mar 20 2022

web it was also the first product branded noveltech vocal enhancer was our second product utilizing iaf technology released in 2006 with all the native processing power available today it is now possible to run character and vocal enhancer on macs and pcs in many popular plug in formats such as vst au or rtas

noveltech vocal enhancer noveltech vocal enhancer plugin buy - Apr 01 2023

web based on noveltech s patent pending intelligent adaptive filtering iaf technology vocal enhancer works on both frequencies and dynamics it identifies and enhances the characteristics in vocals that are pleasing to the human ear and gives you control over the definition and depth of your vocal tracks features the easy way to great

noveltech vocal enhancer by plugin alliance kvr audio - Jul 04 2023

web noveltech vocal enhancer by plugin alliance brainworx is a virtual effect audio plugin for macos and windows it functions as a vst plugin an audio units plugin a vst 3 plugin and an aax plugin

add attitude to your vocals with a vocal enhancer soundbridge - Jun 22 2022

web the iaf process behind the noveltech vocal enhancer boosts the material s desired characteristics dynamically instead of statically boosting certain frequency areas like an eq or artificially adding harmonics like a conventional enhancer as iaf continually adapts to the source material the processing results are way superior

noveltech vocal enhancer plugin alliance - Oct 07 2023

web based on noveltech s patent pending intelligent adaptive filtering iaf technology vocal enhance r works on both frequencies and dynamics it identifies and enhances the characteristics in vocals that are pleasing to the human ear and gives you control over the definition and depth of your vocal tracks

noveltech vocal enhancer introduction and overview youtube - Feb 28 2023

web vocal enhancer intelligently improves the relevant characteristics found in your vocal recordings find out more at plugin alliance com en produc

noveltech plugin alliance - Aug 05 2023

web character was the first pro audio product branded under the noveltech name vocal enhancer was the second product utilizing iaf technology and it was released in 2006 the demise of the powercore platform along with the increase in power for mac and pc computers allowed character and vocal enhancer to launch as native plugins in 2012

vocal enhancer noveltechaudio - Sep 06 2023

web the noveltech vocal enhancer now changes all that it is based on the groundbreaking and patent pending iaf technology that is also at the core of our renowned character plug in instant presence this process works radically different from any conventional technology you have worked with so far the vocal enhancer not only gives your vocal

noveltech s vocal enhancer goes native sound on sound - Dec 29 2022

web noveltech vocal enhancer gives vocal recordings unprecedented clarity and crispness without unwanted side effects thanks to finnish high quality audio technologies developer noveltech audio s patented iaf intelligent adaptive filtering technology that lies at its very core unlike conventional enhancers it dynamically boosts the

noveltech vocal enhancer kvr audio - Oct 27 2022

web download noveltech vocal enhancer for windows from plugin alliance com download noveltech vocal enhancer for macos from plugin alliance com installer downloads installation manager the im lets you install any or all pa plugins in one go and you can select which plugin formats you need aax vst au no need to install plugins you may