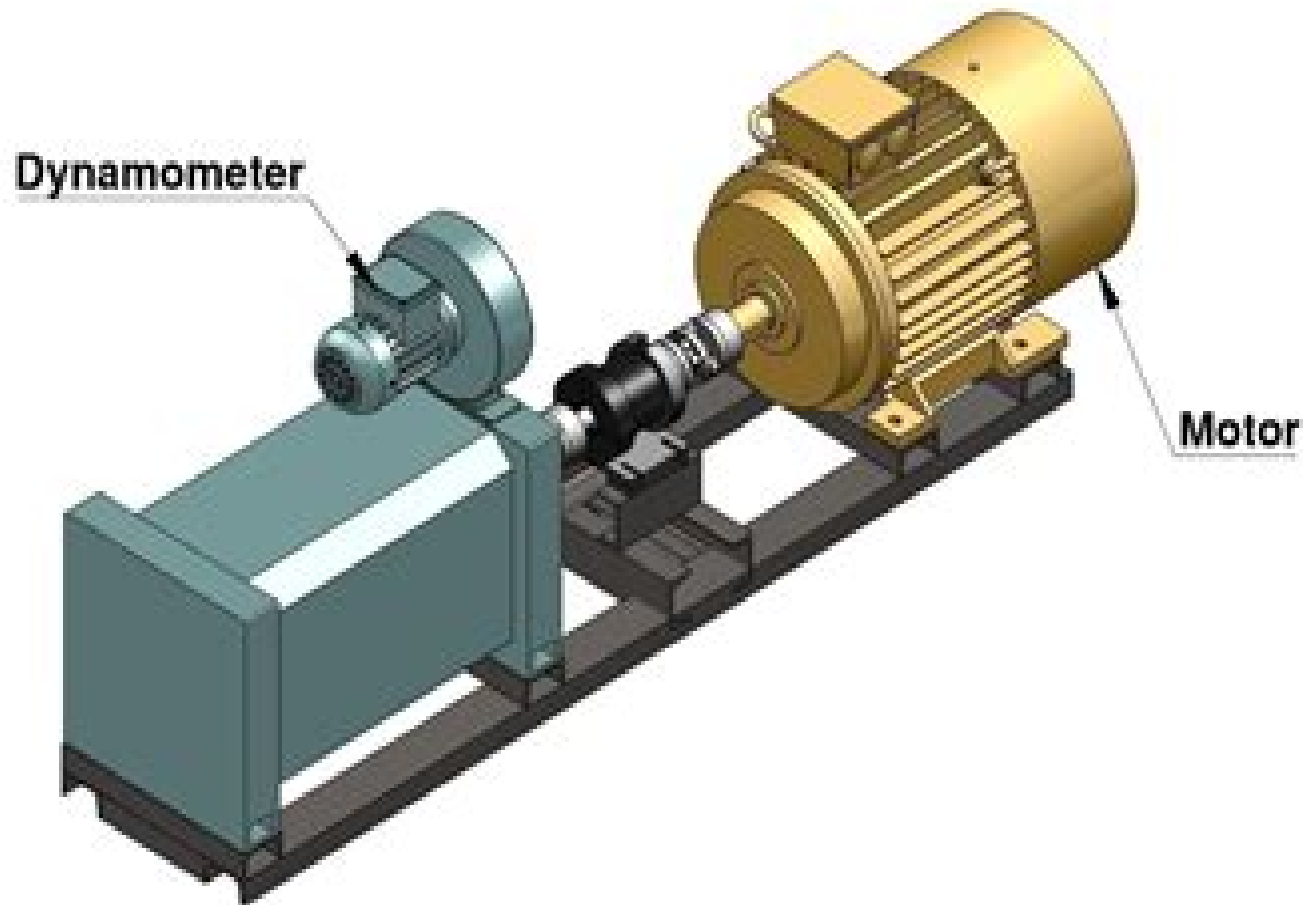


Electric Motor Testing Dynamometer



Engine Testing Dynamometer

VM Jensen



Engine Testing Dynamometer:

Recognizing the quirk ways to acquire this books **Engine Testing Dynamometer** is additionally useful. You have remained in right site to begin getting this info. get the Engine Testing Dynamometer belong to that we come up with the money for here and check out the link.

You could buy guide Engine Testing Dynamometer or acquire it as soon as feasible. You could speedily download this Engine Testing Dynamometer after getting deal. So, like you require the book swiftly, you can straight get it. Its hence certainly easy and therefore fats, isnt it? You have to favor to in this freshen

https://py.bijouxmedusa.com/results/book-search/Documents/rosemary_gladstars_herbal_recipes_for_vibrant_health_175_tea_tonics_oils_salves_tinctures_and_other_natural_remedies_for_the_entire_family_reprint_edition_by_gladstar_rosemary_published_by_storey_publishing_llc_2008_paperback.pdf

Table of Contents Engine Testing Dynamometer

1. Understanding the eBook Engine Testing Dynamometer
 - The Rise of Digital Reading Engine Testing Dynamometer
 - Advantages of eBooks Over Traditional Books
2. Identifying Engine Testing Dynamometer
 - Exploring Different Genres
 - Considering Fiction vs. Non-Fiction
 - Determining Your Reading Goals
3. Choosing the Right eBook Platform
 - Popular eBook Platforms
 - Features to Look for in an Engine Testing Dynamometer
 - User-Friendly Interface
4. Exploring eBook Recommendations from Engine Testing Dynamometer
 - Personalized Recommendations
 - Engine Testing Dynamometer User Reviews and Ratings

- Engine Testing Dynamometer and Bestseller Lists
- 5. Accessing Engine Testing Dynamometer Free and Paid eBooks
 - Engine Testing Dynamometer Public Domain eBooks
 - Engine Testing Dynamometer eBook Subscription Services
 - Engine Testing Dynamometer Budget-Friendly Options
- 6. Navigating Engine Testing Dynamometer eBook Formats
 - ePub, PDF, MOBI, and More
 - Engine Testing Dynamometer Compatibility with Devices
 - Engine Testing Dynamometer Enhanced eBook Features
- 7. Enhancing Your Reading Experience
 - Adjustable Fonts and Text Sizes of Engine Testing Dynamometer
 - Highlighting and Note-Taking Engine Testing Dynamometer
 - Interactive Elements Engine Testing Dynamometer
- 8. Staying Engaged with Engine Testing Dynamometer
 - Joining Online Reading Communities
 - Participating in Virtual Book Clubs
 - Following Authors and Publishers Engine Testing Dynamometer
- 9. Balancing eBooks and Physical Books Engine Testing Dynamometer
 - Benefits of a Digital Library
 - Creating a Diverse Reading Collection Engine Testing Dynamometer
- 10. Overcoming Reading Challenges
 - Dealing with Digital Eye Strain
 - Minimizing Distractions
 - Managing Screen Time
- 11. Cultivating a Reading Routine Engine Testing Dynamometer
 - Setting Reading Goals Engine Testing Dynamometer
 - Carving Out Dedicated Reading Time
- 12. Sourcing Reliable Information of Engine Testing Dynamometer
 - Fact-Checking eBook Content of Engine Testing Dynamometer
 - Distinguishing Credible Sources

13. Promoting Lifelong Learning
 - Utilizing eBooks for Skill Development
 - Exploring Educational eBooks
14. Embracing eBook Trends
 - Integration of Multimedia Elements
 - Interactive and Gamified eBooks

Engine Testing Dynamometer Introduction

Free PDF Books and Manuals for Download: Unlocking Knowledge at Your Fingertips In today's fast-paced digital age, obtaining valuable knowledge has become easier than ever. Thanks to the internet, a vast array of books and manuals are now available for free download in PDF format. Whether you are a student, professional, or simply an avid reader, this treasure trove of downloadable resources offers a wealth of information, conveniently accessible anytime, anywhere. The advent of online libraries and platforms dedicated to sharing knowledge has revolutionized the way we consume information. No longer confined to physical libraries or bookstores, readers can now access an extensive collection of digital books and manuals with just a few clicks. These resources, available in PDF, Microsoft Word, and PowerPoint formats, cater to a wide range of interests, including literature, technology, science, history, and much more. One notable platform where you can explore and download free Engine Testing Dynamometer PDF books and manuals is the internet's largest free library. Hosted online, this catalog compiles a vast assortment of documents, making it a veritable goldmine of knowledge. With its easy-to-use website interface and customizable PDF generator, this platform offers a user-friendly experience, allowing individuals to effortlessly navigate and access the information they seek. The availability of free PDF books and manuals on this platform demonstrates its commitment to democratizing education and empowering individuals with the tools needed to succeed in their chosen fields. It allows anyone, regardless of their background or financial limitations, to expand their horizons and gain insights from experts in various disciplines. One of the most significant advantages of downloading PDF books and manuals lies in their portability. Unlike physical copies, digital books can be stored and carried on a single device, such as a tablet or smartphone, saving valuable space and weight. This convenience makes it possible for readers to have their entire library at their fingertips, whether they are commuting, traveling, or simply enjoying a lazy afternoon at home. Additionally, digital files are easily searchable, enabling readers to locate specific information within seconds. With a few keystrokes, users can search for keywords, topics, or phrases, making research and finding relevant information a breeze. This efficiency saves time and effort, streamlining the learning process and allowing individuals to focus on extracting the information they need. Furthermore, the availability of free PDF books and manuals fosters a culture of continuous learning. By removing

financial barriers, more people can access educational resources and pursue lifelong learning, contributing to personal growth and professional development. This democratization of knowledge promotes intellectual curiosity and empowers individuals to become lifelong learners, promoting progress and innovation in various fields. It is worth noting that while accessing free Engine Testing Dynamometer PDF books and manuals is convenient and cost-effective, it is vital to respect copyright laws and intellectual property rights. Platforms offering free downloads often operate within legal boundaries, ensuring that the materials they provide are either in the public domain or authorized for distribution. By adhering to copyright laws, users can enjoy the benefits of free access to knowledge while supporting the authors and publishers who make these resources available. In conclusion, the availability of Engine Testing Dynamometer free PDF books and manuals for download has revolutionized the way we access and consume knowledge. With just a few clicks, individuals can explore a vast collection of resources across different disciplines, all free of charge. This accessibility empowers individuals to become lifelong learners, contributing to personal growth, professional development, and the advancement of society as a whole. So why not unlock a world of knowledge today? Start exploring the vast sea of free PDF books and manuals waiting to be discovered right at your fingertips.

FAQs About Engine Testing Dynamometer Books

1. Where can I buy Engine Testing Dynamometer books? Bookstores: Physical bookstores like Barnes & Noble, Waterstones, and independent local stores. Online Retailers: Amazon, Book Depository, and various online bookstores offer a wide range of books in physical and digital formats.
2. What are the different book formats available? Hardcover: Sturdy and durable, usually more expensive. Paperback: Cheaper, lighter, and more portable than hardcovers. E-books: Digital books available for e-readers like Kindle or software like Apple Books, Kindle, and Google Play Books.
3. How do I choose a Engine Testing Dynamometer book to read? Genres: Consider the genre you enjoy (fiction, non-fiction, mystery, sci-fi, etc.). Recommendations: Ask friends, join book clubs, or explore online reviews and recommendations. Author: If you like a particular author, you might enjoy more of their work.
4. How do I take care of Engine Testing Dynamometer books? Storage: Keep them away from direct sunlight and in a dry environment. Handling: Avoid folding pages, use bookmarks, and handle them with clean hands. Cleaning: Gently dust the covers and pages occasionally.
5. Can I borrow books without buying them? Public Libraries: Local libraries offer a wide range of books for borrowing.

- Book Swaps: Community book exchanges or online platforms where people exchange books.
6. How can I track my reading progress or manage my book collection? Book Tracking Apps: Goodreads, LibraryThing, and Book Catalogue are popular apps for tracking your reading progress and managing book collections. Spreadsheets: You can create your own spreadsheet to track books read, ratings, and other details.
 7. What are Engine Testing Dynamometer audiobooks, and where can I find them? Audiobooks: Audio recordings of books, perfect for listening while commuting or multitasking. Platforms: Audible, LibriVox, and Google Play Books offer a wide selection of audiobooks.
 8. How do I support authors or the book industry? Buy Books: Purchase books from authors or independent bookstores. Reviews: Leave reviews on platforms like Goodreads or Amazon. Promotion: Share your favorite books on social media or recommend them to friends.
 9. Are there book clubs or reading communities I can join? Local Clubs: Check for local book clubs in libraries or community centers. Online Communities: Platforms like Goodreads have virtual book clubs and discussion groups.
 10. Can I read Engine Testing Dynamometer books for free? Public Domain Books: Many classic books are available for free as they're in the public domain. Free E-books: Some websites offer free e-books legally, like Project Gutenberg or Open Library.

Find Engine Testing Dynamometer :

rosemary gladstars herbal recipes for vibrant health 175 teas tonics oils salves tinctures and other natural remedies for the entire family reprint edition by gladstar rosemary published by storey publishing llc 2008 paperback

~~rockwood green orthopaedics~~

~~revit structure training manual~~

~~s peugeot 3008 free~~

sap sd configuration document

~~sample question paper sr sec~~

~~robotic exoskeleton for rehabilitation of the upper limb~~

~~sas 2 de villiers~~

~~sample motivation letter daad scholarship~~

~~robbins and judge organizational behavior 14th edition ppt~~

[repair manual](#)

[riverbed on software defined networking](#)

[rogers and mayhew engineering thermodynamics pdf](#)

[sabat di dalam alkitab](#)

[robin hood case study answers](#)

Engine Testing Dynamometer :

Intentional Teaching Cards™ Focusing on Objectives for ... You can find detailed information about all of the objectives in The Creative Curriculum® for Preschool, Volume 6: Objectives for Development & Learning,. Birth ... The Creative Curriculum for Preschool: Intentional Teaching ... The Intentional Teaching Experiences describe playful, engaging activities that can be implemented throughout the day. Designed for ages 3-6, ... The Creative Curriculum® for Preschool Provide clipboards and pencils for the children to record measurements of objects. Physical Fun. • Intentional Teaching Card P12,. “Exploring Pathways”. Family ... The Creative Curriculum® for Preschool, Sixth Edition 201 Intentional Teaching Cards™ (bilingual); 100 Mighty Minutes® for Preschool (cards 1-100); 79 books from the Teaching Strategies® Children's Book ... Intentional Teaching Cards™ Focusing on Objectives for ... The Creative Curriculum® for Preschool—Expanded Daily Resources. Intentional Teaching Cards™ Focusing on Objectives for Development and Learning. This chart ... Intentional teaching cards Materials List for Creative Curriculum Intentional Teaching Cards · Art Vocabulary Letter Wall and/or Center Word Cards · Creative Curriculum ... Creative curriculum intentional teaching cards This resource contains all printable materials needed to teach Creative Curriculum 's Intentional Teaching Cards . The Creative Curriculum® for Preschool, Expanded Daily Teaching Guides. Insects Study; Sand Study; Signs Study; Simple Machines Study; Tubes and Tunnels Study. 50 Intentional Teaching Cards™ (bilingual); More Mighty ... The Creative Curriculum® for Preschool, Guided Edition The Foundation · 9 total Teaching Guides, including 8 four-week studies · 251 Intentional Teaching Cards™ (bilingual) · 100 Mighty Minutes® for Preschool (cards ... Alfred's Essentials of Music Theory: Complete: Book The complete line of Alfred's Essentials of Music Theory includes Student Books, a Teacher's Answer Key, Ear-Training CDs, Double Bingo games, Flash Cards, ... Alfred's Essentials of Music Theory, Complete ... The complete line of Alfred's Essentials of Music Theory includes Student Books, a Teacher's Answer Key, Ear-Training CDs, Double Bingo games, Flash Cards, ... Essentials of Music Theory By Andrew Surmani, Karen Farnum Surmani, and Morton Manus. Complete Book Alto Clef (Viola) Edition (Comb Bound). [] || False. Item: 00-18583. Alfred's Essentials of Music Theory: A ... - Amazon This practical, easy-to-use, self-study course is perfect for pianists, guitarists, instrumentalists, vocalists, songwriters, arrangers and composers, ... Alfred's Essentials of Music Theory: Complete - PianoWorks, Inc In this all-in-one theory course, you will learn the essentials of music through

concise lessons, practice your music reading and writing skills in the ... Alfred's Essentials of Music Theory - Ear Training ... Alfred's Essentials of Music Theory - Ear Training Recordings Needed!! ... A Comprehensive Guide to Quartal Harmony on Guitar. 9 upvotes · 2 ... Alfred's Essentials of Music Theory Complete Edition In this all-in-one theory course, you will learn the essentials of music through concise lessons, practice your music reading and writing skills in the ... Alfred's Essentials of Music Theory: Complete / Edition 1 The complete line of Alfred's Essentials of Music Theory includes Student Books, a Teacher's Answer Key, Ear-Training CDs, Double Bingo games, Flash Cards, ... Alfred Essentials Of Music Theory: Complete (book/cd) In this all-in-one theory course, will learn the essentials of music through concise lessons, practice music reading and writing skills in the exercises, ... Confused About Catalytic Converter Removal on 2015 HD ... Mar 29, 2023 — I have a 2015 HD Tri Glide. I've been told that removing the catalytic converter would make it run cooler. I've viewed YouTube video on how ... Photos Catalytic Converter Removal Jun 26, 2014 — Tri Glide, RG3 & Freewheeler Models - Photos Catalytic Converter Removal - Did a search and came up empty with photos.....would someone ... How to remove the catalytic converter on Harley Davidson Aug 1, 2020 — The easiest way is to just swap out your exhaust for something aftermarket. I believe all the Harleys have the cat in the pipe somewhere. The ... Performance changes after removal of M8 Catalytic Converter Feb 13, 2019 — I have a 2017 RGU with Stage II Torque Cam and am thinking of removing my catalytic converter. I just wondering what experience others have ... Removing the Catalytic Converter from a 2010 Harley Nov 10, 2009 — Testing by several tuners found that it helped but it was much better to remove all of the cat. Fullsac performance has done lots of testing on ... Cat Removal, and resulting tune needed? Aug 2, 2015 — Hello all. I am a newbie here and I have a question. We own a 2013 Tri Glide and I just installed Screaming Eagle pre EPA mufflers and a K&N a ...