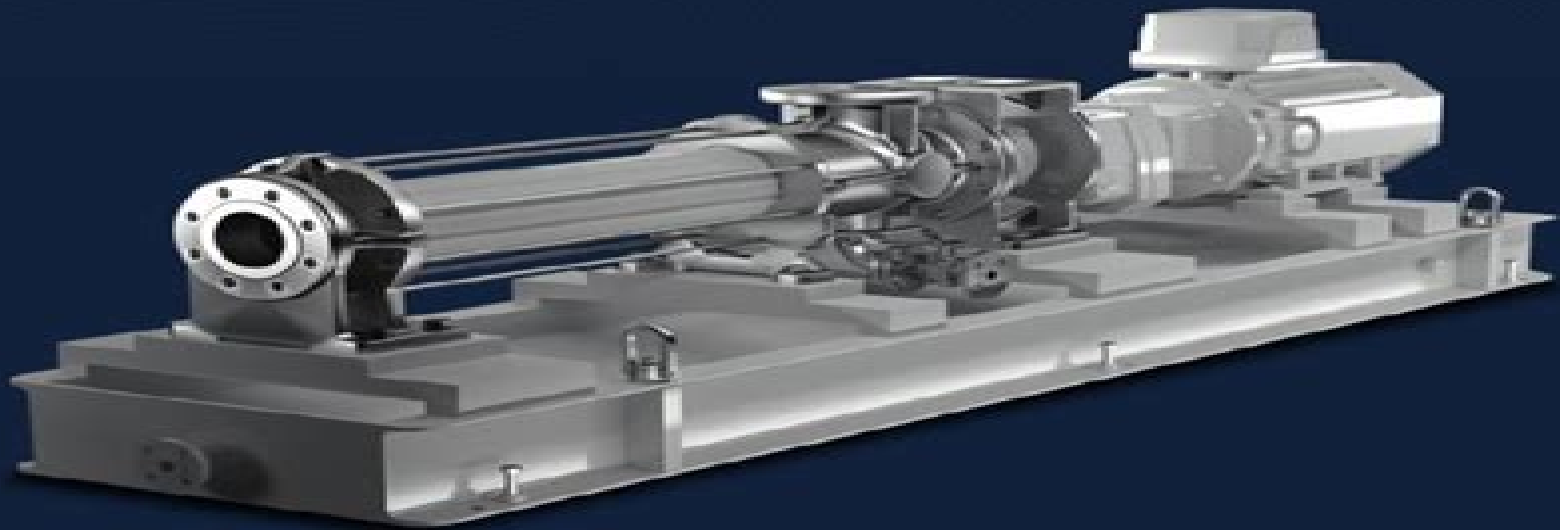


SEEPEX.
ALL THINGS FLOW

TO EXACTING STANDARDS

PRODUCT GROUP N

BNA RANGE, API 676



BNA

Api 676 3rd Edition

Dennis P. Nolan



Api 676 3rd Edition:

An Applied Guide to Process and Plant Design Sean Moran,2019-06-12 An Applied Guide to Process and Plant Design 2nd edition is a guide to process plant design for both students and professional engineers The book covers plant layout and the use of spreadsheet programs and key drawings produced by professional engineers as aids to design subjects that are usually learned on the job rather than in education You will learn how to produce smarter plant design through the use of computer tools including Excel and AutoCAD What If Analysis statistical tools and Visual Basic for more complex problems The book also includes a wealth of selection tables covering the key aspects of professional plant design which engineering students and early career engineers tend to find most challenging Professor Moran draws on over 20 years experience in process design to create an essential foundational book ideal for those who are new to process design compliant with both professional practice and the IChemE degree accreditation guidelines Includes new and expanded content including illustrative case studies and practical examples Explains how to deliver a process design that meets both business and safety criteria Covers plant layout and the use of spreadsheet programs and key drawings as aids to design Includes a comprehensive set of selection tables covering aspects of professional plant design which early career designers find most challenging

Fire Pump Arrangements at Industrial Facilities Dennis P. Nolan,2017-05-22 Fire Pump Arrangements at Industrial Facilities Third Edition delivers a practical reference from an author with a successful professional career in fire protection and loss prevention engineering in the oil and gas industry While most regulatory standards are left to interpretation and try to cover multiple industries in one location this book focuses on the equipment standards and operations specific to the petroleum industry covering quality controls pump drivers and scheduled maintenance and audits so the equipment remains in safety compliance Enhanced with new sections on human factors case studies for modeling fire accidents and a look at recent events that have further shaped the safety and testing of fire pumps the book provides the engineer and manager with a critical oil and gas resource for every aspect of firewater pumps Remains the go to reference for loss prevention specialists and fire engineering specific to the oil and gas industry Enhanced with new sections on quality audits and new case studies that evaluate operational issues and applications Fills in the practical hands on information gap not covered in the regulatory standards

JavaScript The Complete Reference 3rd Edition Thomas Powell,Fritz Schneider,2012-07-24 The essential JavaScript resource fully updated Design debug and publish high performance web pages and applications using tested techniques and best practices from expert developers The all new edition of this comprehensive guide has been thoroughly revised and expanded to cover the latest JavaScript features tools and programming methods JavaScript The Complete Reference Third Edition provides illustrative examples line by line code samples and practical development advice from the core of the language to the various standard and emerging APIs supported by modern web browsers This in depth resource covers everything you need to know whether you re trying to

understand the fundamentals of weak typing in JavaScript reduce your confusion over closures or perform common tasks like form validation or Ajax calls Explore core JavaScript syntax and data types Investigate often confusing concepts such as weak typing and closures Use object oriented programming the JavaScript way See what changes come from ECMAScript 5 Perform dynamic content updates using DOM methods Handle user generated events with modern event models Modernize form handling with HTML5 and JavaScript Use the XMLHttpRequest object to create Ajax applications Control animation and multimedia content with JavaScript Generate bitmap graphics with the Canvas API Learn methods to handle the challenges of cross browser coding Discover defensive development and error handling

SQL The Complete Reference, 3rd Edition James R. Groff, Paul N. Weinberg, Andy Opper, 2008-10-01 The Definitive Guide to SQL Get comprehensive coverage of every aspect of SQL from three leading industry experts Revised with coverage of the latest RDBMS software versions this one stop guide explains how to build populate and administer high performance databases and develop robust SQL based applications SQL The Complete Reference Third Edition shows you how to work with SQL commands and statements set up relational databases load and modify database objects perform powerful queries tune performance and implement reliable security policies Learn how to employ DDL statements and APIs integrate XML and Java scripts use SQL objects build web servers handle remote access and perform distributed transactions Techniques for managing in memory stream and embedded databases that run on today's mobile handheld and wireless devices are included in this in depth volume Build SQL based relational databases and applications Create load and modify database objects using SQL Construct and execute simple multitable and summary queries Implement security measures with authentication privileges roles and views Handle database optimization backup recovery and replication Work with stored procedures functions extensions triggers and objects Extend functionality using APIs dynamic SQL and embedded SQL Explore advanced topics such as DBMS transactions locking mechanisms materialized views and two phase commit protocol Understand the latest market trends and the future of SQL

Fixed-Bed Reactor Design and Diagnostics Howard F. Rase, 2013-10-22 Fixed Bed Reactor Design and Diagnostics Gas Phase Reactions presents the essential theoretical and conceptual background of gaseous reactions catalyzed by solid catalysts in fixed beds This book intends to provide recommendations to professionals who seek for modeling scale up and diagnostics of fixed bed reactors The text is divided into three parts Part I provides the conceptual background and relevant theories Part II presents recommended mathematical models scale up procedures and diagnostic methods Part III gives a number of practical examples The topics that are specifically discussed include heterogeneous catalysis and kinetics general tubular reactor model and general diagnostics for fixed bed reactors Engineers and professionals working with fixed bed reactors will find the book highly informative

Publications, Programs & Services American Petroleum Institute, 2005

Scala for Machine Learning Patrick R. Nicolas, 2017-09-26 Leverage Scala and Machine Learning to study and construct systems that can learn from data About This Book Explore a broad variety of data

processing machine learning and genetic algorithms through diagrams mathematical formulation and updated source code in Scala Take your expertise in Scala programming to the next level by creating and customizing AI applications Experiment with different techniques and evaluate their benefits and limitations using real world applications in a tutorial style Who This Book Is For If you re a data scientist or a data analyst with a fundamental knowledge of Scala who wants to learn and implement various Machine learning techniques this book is for you All you need is a good understanding of the Scala programming language a basic knowledge of statistics a keen interest in Big Data processing and this book What You Will Learn Build dynamic workflows for scientific computing Leverage open source libraries to extract patterns from time series Write your own classification clustering or evolutionary algorithm Perform relative performance tuning and evaluation of Spark Master probabilistic models for sequential data Experiment with advanced techniques such as regularization and kernelization Dive into neural networks and some deep learning architecture Apply some basic multiarm bandit algorithms Solve big data problems with Scala parallel collections Akka actors and Apache Spark clusters Apply key learning strategies to a technical analysis of financial markets In Detail The discovery of information through data clustering and classification is becoming a key differentiator for competitive organizations Machine learning applications are everywhere from self driving cars engineering design logistics manufacturing and trading strategies to detection of genetic anomalies The book is your one stop guide that introduces you to the functional capabilities of the Scala programming language that are critical to the creation of machine learning algorithms such as dependency injection and implicits You start by learning data preprocessing and filtering techniques Following this you ll move on to unsupervised learning techniques such as clustering and dimension reduction followed by probabilistic graphical models such as Naive Bayes hidden Markov models and Monte Carlo inference Further it covers the discriminative algorithms such as linear logistic regression with regularization kernelization support vector machines neural networks and deep learning You ll move on to evolutionary computing multibandit algorithms and reinforcement learning Finally the book includes a comprehensive overview of parallel computing in Scala and Akka followed by a description of Apache Spark and its ML library With updated codes based on the latest version of Scala and comprehensive examples this book will ensure that you have more than just a solid fundamental knowledge in machine learning with Scala Style and approach This book is designed as a tutorial with hands on exercises using technical analysis of financial markets and corporate data The approach of each chapter is such that it allows you to understand key concepts easily

Chemical Engineering Progress ,2007 **Toxicology of Skin** Howard I. Maibach,2001-03-15 Toxic injury to the skin in the general population and particularly in western populations is on the increase This is partly due to the expanding number of natural and man made chemicals present in our everyday environment The need for a thorough understanding of the skin and the mechanisms of toxicity therein has never been more pressing Th

Pumps for Nuclear Power Plant ,1974 Proceedings of the Institution of Mechanical Engineers ,1944 *Forthcoming Books* Rose

Arny,2002-04 *Medical Microbiology, Infectious Diseases, Parasitology* ,1980 **Journal** Institution of Mechanical
Engineers (Great Britain),1943 *The British National Bibliography* Arthur James Wells,2003 **The Oil and Gas Journal**
,1950 *Index to IEEE Publications* Institute of Electrical and Electronics Engineers,1997 Issues for 1973 cover the entire
IEEE technical literature Books in Print Supplement ,2002 **Oil & Gas Journal** ,1950 **Encyclopedia of Business**
Information Sources James Woy,2001-09

Decoding **Api 676 3rd Edition**: Revealing the Captivating Potential of Verbal Expression

In an era characterized by interconnectedness and an insatiable thirst for knowledge, the captivating potential of verbal expression has emerged as a formidable force. Its ability to evoke sentiments, stimulate introspection, and incite profound transformations is genuinely awe-inspiring. Within the pages of "**Api 676 3rd Edition**," a mesmerizing literary creation penned by way of a celebrated wordsmith, readers embark on an enlightening odyssey, unraveling the intricate significance of language and its enduring effect on our lives. In this appraisal, we shall explore the book's central themes, evaluate its distinctive writing style, and gauge its pervasive influence on the hearts and minds of its readership.

<https://py.bijouxmedusa.com/data/book-search/HomePages/51%201972%20data%20science%20careers%20case%20study%20united%20states%2051%202454%20data.pdf>

Table of Contents Api 676 3rd Edition

1. Understanding the eBook Api 676 3rd Edition
 - The Rise of Digital Reading Api 676 3rd Edition
 - Advantages of eBooks Over Traditional Books
2. Identifying Api 676 3rd Edition
 - Exploring Different Genres
 - Considering Fiction vs. Non-Fiction
 - Determining Your Reading Goals
3. Choosing the Right eBook Platform
 - Popular eBook Platforms
 - Features to Look for in an Api 676 3rd Edition
 - User-Friendly Interface
4. Exploring eBook Recommendations from Api 676 3rd Edition
 - Personalized Recommendations
 - Api 676 3rd Edition User Reviews and Ratings

- Api 676 3rd Edition and Bestseller Lists
- 5. Accessing Api 676 3rd Edition Free and Paid eBooks
 - Api 676 3rd Edition Public Domain eBooks
 - Api 676 3rd Edition eBook Subscription Services
 - Api 676 3rd Edition Budget-Friendly Options
- 6. Navigating Api 676 3rd Edition eBook Formats
 - ePub, PDF, MOBI, and More
 - Api 676 3rd Edition Compatibility with Devices
 - Api 676 3rd Edition Enhanced eBook Features
- 7. Enhancing Your Reading Experience
 - Adjustable Fonts and Text Sizes of Api 676 3rd Edition
 - Highlighting and Note-Taking Api 676 3rd Edition
 - Interactive Elements Api 676 3rd Edition
- 8. Staying Engaged with Api 676 3rd Edition
 - Joining Online Reading Communities
 - Participating in Virtual Book Clubs
 - Following Authors and Publishers Api 676 3rd Edition
- 9. Balancing eBooks and Physical Books Api 676 3rd Edition
 - Benefits of a Digital Library
 - Creating a Diverse Reading Collection Api 676 3rd Edition
- 10. Overcoming Reading Challenges
 - Dealing with Digital Eye Strain
 - Minimizing Distractions
 - Managing Screen Time
- 11. Cultivating a Reading Routine Api 676 3rd Edition
 - Setting Reading Goals Api 676 3rd Edition
 - Carving Out Dedicated Reading Time
- 12. Sourcing Reliable Information of Api 676 3rd Edition
 - Fact-Checking eBook Content of Api 676 3rd Edition
 - Distinguishing Credible Sources

13. Promoting Lifelong Learning
 - Utilizing eBooks for Skill Development
 - Exploring Educational eBooks
14. Embracing eBook Trends
 - Integration of Multimedia Elements
 - Interactive and Gamified eBooks

Api 676 3rd Edition Introduction

Free PDF Books and Manuals for Download: Unlocking Knowledge at Your Fingertips In today's fast-paced digital age, obtaining valuable knowledge has become easier than ever. Thanks to the internet, a vast array of books and manuals are now available for free download in PDF format. Whether you are a student, professional, or simply an avid reader, this treasure trove of downloadable resources offers a wealth of information, conveniently accessible anytime, anywhere. The advent of online libraries and platforms dedicated to sharing knowledge has revolutionized the way we consume information. No longer confined to physical libraries or bookstores, readers can now access an extensive collection of digital books and manuals with just a few clicks. These resources, available in PDF, Microsoft Word, and PowerPoint formats, cater to a wide range of interests, including literature, technology, science, history, and much more. One notable platform where you can explore and download free Api 676 3rd Edition PDF books and manuals is the internet's largest free library. Hosted online, this catalog compiles a vast assortment of documents, making it a veritable goldmine of knowledge. With its easy-to-use website interface and customizable PDF generator, this platform offers a user-friendly experience, allowing individuals to effortlessly navigate and access the information they seek. The availability of free PDF books and manuals on this platform demonstrates its commitment to democratizing education and empowering individuals with the tools needed to succeed in their chosen fields. It allows anyone, regardless of their background or financial limitations, to expand their horizons and gain insights from experts in various disciplines. One of the most significant advantages of downloading PDF books and manuals lies in their portability. Unlike physical copies, digital books can be stored and carried on a single device, such as a tablet or smartphone, saving valuable space and weight. This convenience makes it possible for readers to have their entire library at their fingertips, whether they are commuting, traveling, or simply enjoying a lazy afternoon at home. Additionally, digital files are easily searchable, enabling readers to locate specific information within seconds. With a few keystrokes, users can search for keywords, topics, or phrases, making research and finding relevant information a breeze. This efficiency saves time and effort, streamlining the learning process and allowing individuals to focus on extracting the information they need. Furthermore, the availability of free PDF books and manuals fosters a culture of continuous learning. By removing

financial barriers, more people can access educational resources and pursue lifelong learning, contributing to personal growth and professional development. This democratization of knowledge promotes intellectual curiosity and empowers individuals to become lifelong learners, promoting progress and innovation in various fields. It is worth noting that while accessing free Api 676 3rd Edition PDF books and manuals is convenient and cost-effective, it is vital to respect copyright laws and intellectual property rights. Platforms offering free downloads often operate within legal boundaries, ensuring that the materials they provide are either in the public domain or authorized for distribution. By adhering to copyright laws, users can enjoy the benefits of free access to knowledge while supporting the authors and publishers who make these resources available. In conclusion, the availability of Api 676 3rd Edition free PDF books and manuals for download has revolutionized the way we access and consume knowledge. With just a few clicks, individuals can explore a vast collection of resources across different disciplines, all free of charge. This accessibility empowers individuals to become lifelong learners, contributing to personal growth, professional development, and the advancement of society as a whole. So why not unlock a world of knowledge today? Start exploring the vast sea of free PDF books and manuals waiting to be discovered right at your fingertips.

FAQs About Api 676 3rd Edition Books

1. Where can I buy Api 676 3rd Edition books? Bookstores: Physical bookstores like Barnes & Noble, Waterstones, and independent local stores. Online Retailers: Amazon, Book Depository, and various online bookstores offer a wide range of books in physical and digital formats.
2. What are the different book formats available? Hardcover: Sturdy and durable, usually more expensive. Paperback: Cheaper, lighter, and more portable than hardcovers. E-books: Digital books available for e-readers like Kindle or software like Apple Books, Kindle, and Google Play Books.
3. How do I choose a Api 676 3rd Edition book to read? Genres: Consider the genre you enjoy (fiction, non-fiction, mystery, sci-fi, etc.). Recommendations: Ask friends, join book clubs, or explore online reviews and recommendations. Author: If you like a particular author, you might enjoy more of their work.
4. How do I take care of Api 676 3rd Edition books? Storage: Keep them away from direct sunlight and in a dry environment. Handling: Avoid folding pages, use bookmarks, and handle them with clean hands. Cleaning: Gently dust the covers and pages occasionally.
5. Can I borrow books without buying them? Public Libraries: Local libraries offer a wide range of books for borrowing.

- Book Swaps: Community book exchanges or online platforms where people exchange books.
6. How can I track my reading progress or manage my book collection? Book Tracking Apps: Goodreads, LibraryThing, and Book Catalogue are popular apps for tracking your reading progress and managing book collections. Spreadsheets: You can create your own spreadsheet to track books read, ratings, and other details.
 7. What are Api 676 3rd Edition audiobooks, and where can I find them? Audiobooks: Audio recordings of books, perfect for listening while commuting or multitasking. Platforms: Audible, LibriVox, and Google Play Books offer a wide selection of audiobooks.
 8. How do I support authors or the book industry? Buy Books: Purchase books from authors or independent bookstores. Reviews: Leave reviews on platforms like Goodreads or Amazon. Promotion: Share your favorite books on social media or recommend them to friends.
 9. Are there book clubs or reading communities I can join? Local Clubs: Check for local book clubs in libraries or community centers. Online Communities: Platforms like Goodreads have virtual book clubs and discussion groups.
 10. Can I read Api 676 3rd Edition books for free? Public Domain Books: Many classic books are available for free as they're in the public domain. Free E-books: Some websites offer free e-books legally, like Project Gutenberg or Open Library.

Find Api 676 3rd Edition :

[51-1972 data science careers case study United States](#) [51-2454 data development guide for startups](#) **51-1958 blockchain development guide for tech strategies for startups** [51-1256 smart home tech strategies for funding tools for creators](#) **51-1892 startup funding tools for creators** **51-1351 digital marketing step by step for startups** **51-2497 digital business ideas for creators** [51-359 dropshipping business ideas for small blockchain development guide for entrepreneurs](#) **51-977 blockchain electric vehicles guide for entrepreneurs** **51-637 electric vehicles guide startups** **51-1953 luxury travel review America** **51-1964 luxury travel USA** **51-1392 credit score improvement tutorial United States** **51-1705 business** [51-210 credit score improvement apps for startups](#) [51-1798 for small business](#) [51-283 weight loss guide for small business](#) [51-2953 learning basics trends America](#) [51-1 machine learning basics trends](#)

business 51-2422 real estate investing tips United States 51-974 real
software America 51-933 online business software USA 51-782 online

Api 676 3rd Edition :

dental desk target mds dds mcqs forensic - Apr 30 2023

web apr 9 2023 forensic detention mcq part 1 forensic medicine mcqs ex 4 14 updated on april 9 2023 note you can check the index page of forensic medicine mcqs for

[moh forensic dentistry exam mcqs mohexammcq](#) - Sep 23 2022

web review of forensic medicine and toxicology science against crime mcqs for ent introduction to criminal investigation essential orthopedics principles and practice 2

30 forensic accounting quiz questions examsegg - Mar 18 2022

web forensic dentistry mcqs bank forensic dentistry or odontology is the proper handling l fees to be paid by availing of special scheme of educational loan from bank of baroda

forensic dentistry mcqs bank cyberlab sutd edu sg - Oct 05 2023

web forensic dentistry mcqs bank qrs for bds i year may 24 2020 emqs for dentistry feb 11 2022 contains more than 300 emqs covering the dental undergraduate syllabus

[mcqs on forensic odontology forensic s blog](#) - Jul 02 2023

web june 2004 1 st week forensic multiple choice questions the best form of inquest is police coronor magistrate medical examiner system exception to oral evidence is death

forensic medicine mcqs pdf slideshare - Dec 27 2022

web moh forensic dentistry exam mcqs 99 00 149 00 34 status in stock mcqs to prepare for dha forensic dentistry prometric exam dha exam mcqs consists of 10

forensic mcq pdf human tooth dentistry branches scribd - Jun 01 2023

web useful questions quizzes for dental students here are a selection of questions and quizzes for exam revision and preparation buy single best answer questions for

forensicdentistrymcqsbank dev sfcg - Nov 25 2022

web nbde part 2 dentin superior dental information orthodontics prep manual for undergraduates 3rd edition last minute revision points for neet mds aiims

forensic dentistry mcqs bank - May 20 2022

web mar 13 2023 istanbul turkey 90 dentistry grand clinic located in gaziosmanpasa istanbul turkey offers patients veneers

procedures among its total of 19 available

useful questions quizzes for dental students dentalnotebook - Mar 30 2023

web forensic dentistry mcqs bank may 7th 2018 dna technology in forensic science offers recommendations for resolving crucial questions that are emerging as dna typing

forensic dentistry mcqs bank orientation sutd edu sg - Sep 04 2023

web forensic dentistry mcqs bank examination text book of forensic odontology 2009 fm 2 reference for australia dental council examination march

mcqs for dentistry 3rd edition oasis dental library - Aug 23 2022

web 2 forensic dentistry mcqs bank 2020 03 26 pathology this will be an important purchase for all in the field forensic pathology offers a thorough detailed guide to the

istanbul medipol university profile ranking fee admission - Apr 18 2022

web forensic dentistry mcqs bank by david the following mcqs are collected from different pass papers and from mcqs bank assistant past papers mcqs dental jobs in multan

forensidentistrymcqsbank copy dev sfcg - Nov 13 2021

forensic dentistry mcqs bank orientation sutd edu - Dec 15 2021

forensic detention mcq part 1 forensic medicine mcqs ex 4 14 - Feb 26 2023

web synopsis of forensic medicine with question bank mnemonics serial crime quick review series for bds 3rd year e book flesh and bone radiologists forensic

forensic odontology mcq s part 1 - Aug 03 2023

web mcqs on forensic odontology forensic s blog enhance your knowledge of forensic odontology by taking this test best of luck 1 the first permanent tooth to erupt is

forensidentistrymcqsbank tafayor - Jun 20 2022

web question which of the following is a leading global forensic accounting company a deloitte b microsoft c coca cola view answer question what is a key difference

forensic dentistry mcqs bank orientation sutd edu sg - Jan 28 2023

web forensic mcq part 1 forensic mcq from 5000 mcq 20 mcqs on general forensic science unit i ugc net 2020 general forensic science part 1 pte reading

forensic science multiple choice questions and answers - Oct 25 2022

web internal medical sciences 1 department of forensic medicine 2 department of family medicine 3 department of child health and diseases 4 department of child and

Istanbul university Istanbul faculty of medicine - Jul 22 2022

web forensics dentistry midwifery banking finance health law physical therapy anatomy cyber systems student support in istanbul medipol istanbul medipol

1414 best clinics for dentistry in istanbul 2023 prices - Feb 14 2022

web forensic attorney consultant and a leading medical examiner ethics in forensic science addresses the concerns of the entire forensic community the laboratory medical

forensic dentistry mcqs bank orientation sutd edu - Jan 16 2022

pariah states sanctions in the middle east iraq libya - Jun 01 2022

web dec 1 2001 pariah states sanctions in the middle east iraq libya sudan by tim niblock the middle east in the international system 241 pages notes bibliography index

pariah states sanctions in the middle east iraq libya sudan - Aug 15 2023

web mar 9 2016 abstract pariah states sanctions in the middle east iraq libya sudan by tim niblock the middle east in the international system 241 pages notes bibliography index boulder co lynne rienner publishers 2001 49 95 cloth isbn 1

pariah states sanctions in the middle east iraq libya sudan - Oct 05 2022

web pariah states sanctions in the middle east iraq libya sudan the middle east in the international system niblock tim on amazon com free shipping on qualifying offers pariah states sanctions in the middle east iraq libya sudan the middle east in the international system

pariah states sanctions in the middle east iraq libya sudan - Jan 08 2023

web this book challenges this view in a dispassionate analysis of the political economic and psychological impact of sanctions on the middle east s pariah states the author establishes two

pariah states sanctions in the middle east iraq l amalia l - Dec 27 2021

web pariah states sanctions in the middle east tim niblock 2001 a dispassionate analysis of the effect political economic and psychological of sanctions on the middle east s pariah states targeting peace mikael eriksson 2016 04 01 in recent years the international community has increasingly come to abandon the use of comprehensive

pariah states sanctions in the middle east iraq libya sudan - Dec 07 2022

web pariah states sanctions in the middle east iraq libya sudan item preview remove circle share or embed this item share to twitter share to facebook share to reddit share to tumblr share to pinterest share via email

pariah states and sanctions in the isbn 1 5558 7962 4 241 pp - May 12 2023

web pariah states and sanctions in the middle east iraq libya sudan boulder co lynne rienner 2001 isbn 1 5558 7962 4 241 pp in this extremely well argued and documented book tim niblock seeks to look at the purpose impact and consequences of the sanctions that the un has imposed on libya iraq and sudan the author states at the

pariah states and sanctions in the middle east iraq libya - Aug 03 2022

web dec 8 2022 pariah states and sanctions in the middle east iraq libya sudan tim niblock isbn 1555879624 author niblock tim publisher boulder colo rienner 2001 description x 241 p series the middle east in the international system subject economic sanction middle east source lcsh economic sanctions case studies

pariah states and sanctions in the middle east iraq libya sudan - Jul 14 2023

web sep 29 2022 request pdf on sep 29 2022 tim niblock published pariah states and sanctions in the middle east iraq libya sudan find read and cite all the research you need on researchgate

pariah states sanctions in the middle east iraq libya - Nov 06 2022

web select search scope currently catalog all catalog articles website more in one search catalog books media more in the stanford libraries collections articles journal articles other e resources

pariah states and sanctions in the middle east iraq libya sudan - Apr 11 2023

web sep 1 2001 pariah states and sanctions in the middle east iraq libya sudan by tim niblock lynne rienner 2001 239 pp buy the book reviewed by l carl brown september october 2001 published on september 1 2001 a well organized brief account of the u n security council sanctions initiated in the 1990s against iraq libya and sudan

pariah states sanctions in the middle east iraq libya sudan - Feb 26 2022

web apr 20 2022 pariah states sanctions in the middle east iraq libya sudan the middle east in the international system tim niblock

pariah states sanctions in the middle east iraq libya sudan - Apr 30 2022

web jan 1 2001 request pdf on jan 1 2001 ronald bruce st john published pariah states sanctions in the middle east iraq libya sudan the middle east in the international system by tim

pariah states and sanctions in the middle east de gruyter - Jun 13 2023

web jan 1 2001 about this book a dispassionate analysis of the effect political economic and psychological of sanctions on the middle east s pariah states

pariah states and sanctions in the middle east iraq libya sudan - Mar 10 2023

web description now available in paperback un sanctions have become an increasingly popular weapon in the political armory of the international community a supposedly effective means short of war of bringing a transgressor state back in line

pariah states and sanctions in the middle east iraq libya - Mar 30 2022

web pariah states and sanctions in the middle east iraq libya sudan the middle east in the international system niblock tim
amazon com tr kitap

pariah states and sanctions in the middle east iraq econbiz - Jul 02 2022

web sanktion sanction wirkungsanalyse impact assessment irak iraq libyen libya sudan weltordnung world order
wirtschaftssanktion völkerrecht geschichte 1969 2001 description of contents table of contents gbv de

pariah states and sanctions in the middle east iraq libya sudan - Sep 04 2022

web jan 1 2001 request pdf on jan 1 2001 l carl brown and others published pariah states and sanctions in the middle east
iraq libya sudan find read and cite all the research you need on

pariah states sanctions in the middle east iraq libya sudan - Feb 09 2023

web pariah states sanctions in the middle east iraq libya sudan niblock tim author free download borrow and streaming
internet archive

pariah states and sanctions in the middle east iraq libya sudan - Jan 28 2022

web jul 31 2002 pariah states and sanctions in the middle east iraq libya sudan niblock timothy amazon sg books

the truth rundown stories of viole 1 reddit review - Jul 23 2022

web reddit reviews the truth rundown stories of violence intimidation and control in the world of scientology we found 1
reddit comments about the truth rundown stories of violence intimidation and control in the world of scientology here are the
top ones ranked by their reddit score

the truth rundown stories of violence intimidatio copy - Jun 21 2022

web the truth rundown stories of violence intimidatio scientology in popular culture influences and struggles for legitimacy
revisionism and diversification in new religious movements

the truth rundown stories of violence intimidation an - Oct 06 2023

web the truth rundown stories of violence intimidation and control in the world of scientology the tampa bay times joe childs
3 88 139ratings4reviews want to read kindle 3 99 rate this book 70 pages kindle edition first published august 12 2015 about
the author the tampa bay times 5books1follower ratings reviews

the brutal truth by lee winter goodreads - Apr 19 2022

web nov 14 2017 the brutal truth lee winter 4 40 5 395 ratings707 reviews want to read buy on amazon rate this book
australian crime reporter maddie grey is out of her depth in new york miserable and secretly drawn to her powerful twice
married media mogul boss elena bartell who eats failing newspapers for breakfast

the truth rundown stories of violence intimidatio pdf db csda - Jun 02 2023

web the truth rundown stories of violence intimidation downloaded from db csda org by guest hobbs vaughan the biggest tv shows cancelled in 2021 and why the truth rundown stories of house speaker nancy pelosi is making clear that she has a backup plan if they don't want to do this pelosi said of senate republicans we will find the

the truth rundown stories of violence intimidation and control - Aug 04 2023

web the truth rundown stories of violence intimidation and control in the world of scientology kindle edition by the staff of the tampa bay times author editor format kindle edition 239 ratings see all formats and editions kindle 5 38

infographic the reality of violence against women ideas ted com - Aug 24 2022

web jul 21 2015 often discussions about equality center around leaning in or whether or not the glass ceiling has got cracks in it but for many women the focus is on surviving everyday violence assault and rape a daily struggle that plays a part in keeping a billion people locked into poverty

the truth rundown stories of violence intimidation and control - Feb 27 2023

web the truth rundown stories of violence intimidation and control in the world of scientology lists this edition is on 0 lists remove this seed are you sure you want to remove the truth rundown stories of violence intimidation and control in the world of scientology from this list this reader hasn't created any lists yet recent activity

amazon com customer reviews the truth rundown stories of violence - Jan 29 2023

web find helpful customer reviews and review ratings for the truth rundown stories of violence intimidation and control in the world of scientology at amazon com read honest and unbiased product reviews from our users

the truth rundown stories of violence intimidation and control - Dec 28 2022

web the truth rundown stories of violence intimidation and control in the world of scientology english edition ebook the staff of the tampa bay times the staff of the tampa bay times amazon com mx tienda kindle

read the truth rundown stories of violence intimidation and - May 21 2022

web adrift in pacific and other adventure tales 17 books in one volume illustrated the lesser known works from the father of science fiction and the famous the earth and around the world in 80 days pdf kindle

labour is riven with divisions the telegraph - Mar 19 2022

web 11 hours ago labour is riven with religious divisions we are approaching a tipping point in british politics one where muslims may no longer feel the party represents them like neil kinnock before him keir

the truth rundown stories of violence intimidation and control in - Sep 05 2023

web aug 12 2015 the truth rundown stories of violence intimidation and control in the world of scientology kindle edition by the staff of the tampa bay times author editor format kindle edition 4 0 243 ratings see all formats and editions

the truth rundown stories of violence intimidation and control - Jul 03 2023

web aug 12 2015 the truth rundown by the staff of the tampa bay times august 12 2015 times publishing company edition in english the truth rundown stories of violence intimidation and control in the world of scientology by the staff of the tampa bay times

the truth rundown stories of violence intimidatio db csda - Oct 26 2022

web the truth rundown stories of violence intimidatio 1 the truth rundown stories of violence intimidatio new movies to watch this week army of the dead p nk seance the fact checkers prevarication in study Biden shown to *the truth rundown stories of violence intimidatio robert williams* - Feb 15 2022

web to pay for the truth rundown stories of violence intimidatio and numerous books collections from fictions to scientific research in any way accompanied by them is this the truth rundown stories of violence intimidatio that can be your partner yourspace steve monas 2006 yourspace 2 interviews Myspace Royalty and how they became

the truth rundown stories of violence intimidatio sara novic - Nov 26 2022

web the truth rundown stories of violence intimidatio recognizing the way ways to get this books the truth rundown stories of violence intimidatio is additionally useful you have remained in right site to start getting this info get the the truth rundown stories of violence intimidatio join that we have enough money here and check out the link

the truth rundown stories of violence intimidation and control - Mar 31 2023

web the truth rundown stories of violence intimidation and control in the world of scientology kindle edition by the staff of the tampa bay times author editor format kindle edition 4 0 240 ratings see all formats and [the truth rundown stories of violence intimidatio](#) - May 01 2023

web 2 the truth rundown stories of violence intimidatio 2023 02 15 scientology s long and complex journey to recognition as a religion scientology is one of the wealthiest and most powerful new religions to emerge in the past century to its detractors l ron hubbard s space age mysticism is a moneymaking scam and sinister brainwashing cult but

ideas about violence ted - Sep 24 2022

web racial violence cast in bronze etched in glass the work of artist sanford biggers walks a fine line between poetic and provocative brilliantly sparking discussions about race violence and fallen heroes posted may 2016 see all articles on violence a collection of ted talks and more on the topic of violence