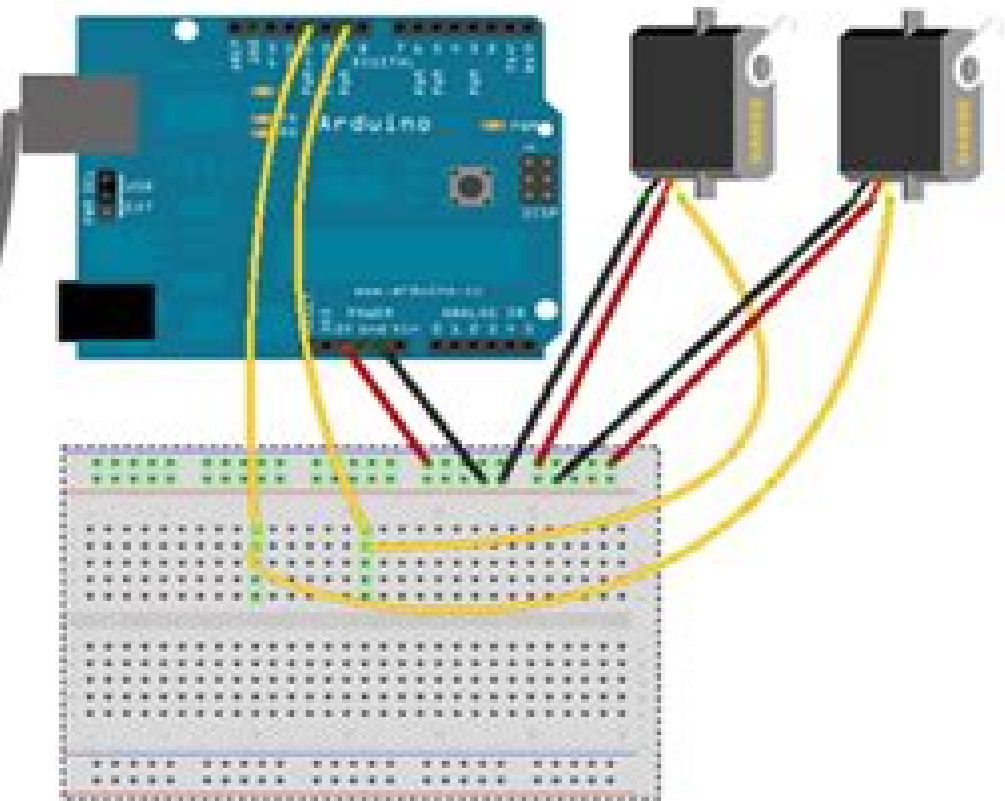


## Kinect USB to PC



## Arduino USB to PC



# Arduino And Kinect Projects

**Neerparaj Rai**



## **Arduino And Kinect Projects:**

*Arduino and Kinect Projects* Enrique Ramos Melgar, Ciriaco Castro Diez, 2012-06-09 If you've done some Arduino tinkering and wondered how you could incorporate the Kinect or the other way around then this book is for you. The authors of *Arduino and Kinect Projects* will show you how to create 10 amazing creative projects from simple to complex. You'll also find out how to incorporate Processing in your project design, a language very similar to the Arduino language. The ten projects are carefully designed to build on your skills at every step. Starting with the Arduino and Kinect equivalent of Hello World, the authors will take you through a diverse range of projects that showcase the huge range of possibilities that open up when Kinect and Arduino are combined: Gesture based Remote Control, Control devices and home appliances with hand gestures, Kinect networked Puppet Play with a physical puppet remotely using your whole body, Mood Lamps, Build your own set of responsive gesture controllable LED lamps, Drawing Robot, Control a drawing robot using a Kinect based tangible table, Remote controlled Vehicle, Use your body gestures to control a smart vehicle, Biometric Station, Use the Kinect for biometric recognition and checking Body Mass Indexes, 3D Modeling Interface, Learn how to use the Arduino LilyPad to build a wearable 3D modelling interface, 360o Scanner, Build a turntable scanner and scan any object 360o using only one Kinect, Delta Robot, Build and control your own fast and accurate parallel robot.

**Make: Lego and Arduino Projects** John Baichtal, Matthew Beckler, Adam Wolf, 2012-11-27 Make amazing robots and gadgets with two of today's hottest DIY technologies. With this easy to follow guide you'll learn how to build devices with Lego Mindstorms NXT 2.0, the Arduino prototyping platform and some add-on components to bridge the two. Mindstorms alone lets you create incredible gadgets. Bring in Arduino for some jaw-dropping functionality and open a whole new world of possibilities. Build a drink dispenser, music synthesizer, wireless lamp and more. Each fun and fascinating project includes step-by-step instructions and clear illustrations to guide you through the process. Learn how to set up an Arduino programming environment, download the sketches and libraries you need and work with Arduino's language for non-programmers. It's a perfect book for students, teachers, hobbyists, makers, hackers and kids of all ages. Build a Drawbot that roams around and traces its path with a marker pen. Construct an analog Mindstorms clock with hands that display the correct time. Create a machine that mixes a glass of chocolate milk at the touch of a button. Make a Gripperbot, rolling robotic arm that you control wirelessly with Arduinos mounted on your arms. Explore electronic music by building a guitar-shaped Lego synthesizer. Build a Lego lamp with on/off and dimmer switches that you control with a smartphone application. Jump feet first into the world of electronics from learning Ohm's Law to working with basic components. You'll need the Bricktronics shield created for this book by Open Source Hardware kit maker Wayne and Layne or you can build a breadboarded equivalent (see Chapter 10 for about 25 in parts).

**Computational Vision and Medical Image Processing IV** Joao Manuel RS Tavares, Jorge R.M. Natal, 2013-10-01 *Computational Vision and Medical Image Processing* VIPIMAGE 2013 contains invited lectures and full papers presented at

VIPIIMAGE 2013 IV ECCOMAS Thematic Conference on Computational Vision and Medical Image Processing Funchal Madeira Island Portugal 14 16 October 2013 International contributions from 16 countries provide a comprehensive coverage of the current state of the art in the fields of 3D Vision Computational Bioimaging and Visualization Computational Vision and Image Processing applied to Dental Medicine Computational Vision Computer Aided Diagnosis Surgery Therapy and Treatment Data Interpolation Registration Acquisition and Compression Image Processing and Analysis Image Segmentation Imaging of Biological Flows Medical Imaging Physics of Medical Imaging Shape Reconstruction Signal Processing Simulation and Modeling Software Development for Image Processing and Analysis Telemedicine Systems and their Applications Trabecular Bone Characterization Tracking and Analysis of Movement Virtual Reality Related techniques covered in this book include the level set method finite element method modal analyses stochastic methods principal and independent components analysis and distribution models Computational Vision and Medical Image Processing VIPIIMAGE 2013 is useful to academics researchers and professionals in Biomechanics Biomedical Engineering Computational Vision image processing and analysis Computer Sciences Computational Mechanics and Medicine

**Emerging Trends in Expert Applications and Security** Vijay Singh Rathore, João Manuel R. S. Tavares, Vincenzo Piuri, B. Surendiran, 2023-06-12 The book covers current developments in the field of computer system security using cryptographic algorithms and other security schemes for system as well as cloud The proceedings compiles the selected research papers presented at ICE TEAS 2023 Conference held at Jaipur Engineering College and Research Centre Jaipur India during February 17 19 2023 The book focuses on expert applications and artificial intelligence information and application security advanced computing multimedia applications in forensics security and intelligence and advances in web technologies implementation and security issues

**Making Things See** Greg Borenstein, 2012-01-13 This detailed hands on guide provides the technical and conceptual information you need to build cool applications with Microsoft s Kinect the amazing motion sensing device that enables computers to see Through half a dozen meaty projects you ll learn how to create gestural interfaces for software use motion capture for easy 3D character animation 3D scanning for custom fabrication and many other applications Perfect for hobbyists makers artists and gamers Making Things See shows you how to build every project with inexpensive off the shelf components including the open source Processing programming language and the Arduino microcontroller You ll learn basic skills that will enable you to pursue your own creative applications with Kinect Create Kinect applications on Mac OS X Windows or Linux Track people with pose detection and skeletonization and use blob tracking to detect objects Analyze and manipulate point clouds Make models for design and fabrication using 3D scanning technology Use MakerBot RepRap or Shapeways to print 3D objects Delve into motion tracking for animation and games Build a simple robot arm that can imitate your arm movements Discover how skilled artists have used Kinect to build fascinating projects

[Make: Volume 92](#) Dale Dougherty, 2025-02-04 Wow it s been 20 years since Make magazine hit newsstands and mailboxes We wouldn t be here

without you To celebrate we got the original magazine team back together to give a behind the scenes look at creating the very first issue and asked Fab Labs guru Neil Gershenfeld and visionary tech publisher Tim O Reilly to look back at 20 years of the Maker Movement Plus check out all 90 Make magazine covers But that s not all Our annual Digital Fabrication deep dive explores the coolest high tech tools for your workshop New laser cutters CO2 diode and fiber have more power and lower prices than ever See our breakdown of what cuts what to pick the right type for your cutting needs Then check out innovative new 3D printers and CNC machines or build your own handheld CNC router that automatically helps you cut the right path Plus 23 projects including Use a heat gun flour sifter and pizza pan to build the ultimate DIY coffee roaster 3D print lace fabrics for making garments or decor no 3D modeling skills required Build a rugged water turbine for 50 and generate 200 watts of any time power Use our new Oxocard Connect microcontroller to build a timed Smartphone Safe and take a break from your screen Hack a clever toy and a robot arm to make a bubble blowing companion robot And much more

**Exhibits and Displays** Carol Ng-He,Patti Gibbons,2021-04-13 Exhibits and displays are booming and in demand at all types of libraries From simple displays of books to full scale museum quality exhibitions library exhibits can highlight collections that surprise visitors tell stories and engage audiences in innovative ways Often exhibits feature more than books showcasing art photographs archival materials multimedia elements as well as hands on activities Stepping outside traditional walls digital exhibits reach audiences beyond the circulation desk and pave another way for libraries to share information promote resources and even lead change in the community Despite the growing interest most library and information science LIS programs do not include exhibit development courses It is not uncommon for librarians learn exhibit production on the job or through resources in the museum sector Wearing many hats librarians absorb exhibit work as part of community outreach initiatives or take on exhibit duties as a general professional interest in the emerging field Exhibits Displays is a practical how to guide that helps librarians unleash their library s potential to engage and wow visitors The guide explains how to kick start and grow an exhibit program through expert advice insights from professional literature and winning case studies that cover exhibition development from conceptual planning through de installation packing and evaluation Exhibits Display A Practical Guide for Librarians covers Pre planning Curation and content development Project management Graphic design and writing for readability Preservation and collection care Legal considerations and loan registration Installation de installation and maintenance tips Hands on interactives and digital exhibits Educational programming Marketing Audience evaluation Supplemental examples and case studies Librarians in academic public school and special libraries will benefit from Exhibits Displays A Practical Guide for Librarians The book is also an excellent textbook for LIS courses covering exhibition development and outreach

**Programming Arduino with LabVIEW** Marco Schwartz,Oliver Manickum,2015-01-27 If you already have some experience with LabVIEW and want to apply your skills to control physical objects and make measurements using the Arduino sensor this book is for you Prior knowledge of Arduino

and LabVIEW is essential to fully understand the projects detailed in this book

**Arduino Home Automation Projects** Marco Schwartz,2014-07-23 This book is divided into projects that are explained in a step by step format with practical instructions that are easy to follow If you want to build your own home automation systems wirelessly using the Arduino platform this is the book for you You will need to have some basic experience in Arduino and general programming languages such as C and C to understand the projects in this book

*Arduino Projects with Tinkercad* M. Eng. Johannes Wild,2022-09-29 In this book we will create together and step by step five exciting and great projects using the microcontroller Arduino Uno We will use Autodesk s free Tinkercad software and its block based programming approach Also in each of the projects we will use sensors such as a temperature sensor or even an ultrasonic sensor and other components I am an engineer M Eng and would like to introduce you to the topics of electronics Arduino and block based programming with Tinkercad In this book I will try to do this in an application oriented playful and simple way using DIY projects In the first chapters of this book you will find a short theoretical introduction or a refresher depending on your level of knowledge about the Arduino the software Tinkercad and on general electronics In the following chapters you will find five exciting projects which we will build together step by step For each project you ll get information about the components you need the structure of the respective circuit diagram and the individual steps in creating the program code using block based programming No matter what age you are whether you are still in school whether you are already an adult whether you are a student or a retiree if you are interested in any of these topics you are in the right place This book is aimed at both those who have no knowledge and those who already have basic knowledge in any of the areas Arduino Tinkercad and Electronics Take a look inside now and get your copy as an ebook or paperback

**Arduino Applied** Neil Cameron,2018-12-26 Extend the range of your Arduino skills incorporate the new developments in both hardware and software and understand how the electronic applications function in everyday life This project based book extends the Arduino Uno starter kits and increases knowledge of microcontrollers in electronic applications Learn how to build complex Arduino projects break them down into smaller ones and then enhance them thereby broadening your understanding of each topic You ll use the Arduino Uno in a range of applications such as a blinking LED route mapping with a mobile GPS system and uploading information to the internet You ll also apply the Arduino Uno to sensors collecting and displaying information Bluetooth and wireless communications digital image captures route tracking with GPS controlling motors color and sound building robots and internet access With Arduino Applied prior knowledge of electronics is not required as each topic is described and illustrated with examples using the Arduino Uno What You ll Learn Set up the Arduino Uno and its programming environment Understand the application of electronics in every day systems Build projects with a microcontroller and readily available electronic components Who This Book Is For Readers with an Arduino starter kit and little to no programming experience and those interested in how electronic appliances work

*Arduino Projects for Engineers* Neerparaj Rai,2018-05-31

Providing 24 projects with wiring diagrams and the programs required to complete each one this book covers both the software and hardware aspects of each project and will help students create their own innovative prototypes

**Arduino Projects with Tinkercad | Part 2** M. Eng. Johannes Wild, 2022-09-29 Attention This book is the sequel to the book Arduino Projects with Tinkercad as well as to the beginner book Arduino Step by Step This book is aimed at advanced Arduino users and therefore requires some basic knowledge It is best to work through the two books mentioned above first before starting with this book In this book we will create step by step some complex and awesome projects using the Arduino Uno microcontroller We ll use Autodesk s foolproof and free online software Tinkercad to simulate and program the projects just as we did in the preceding book In Tinkercad we will create together and step by step the schematic for each project the programming using the block based programming method and will simulate how it works In each of the projects we will use sensors e g a force sensor a tilt sensor a soil moisture sensor or an ambient light sensor and other components In addition we will integrate actuators servo motor piezo that will perform a specific programmed action I am an engineer M Eng and I want to introduce you to the topics of electronics Arduino and block based programming with Tinkercad application oriented enjoyable and easily explained using DIY projects Therefore you will find in this book in the first two chapters a very short refresher about the Arduino and the program Tinkercad about 5 pages If you need a more detailed introduction you should take a look at the previous books in this series After that five more complex projects follow which we will realize step by step components schematic wiring programming No matter what age you are whether you are still in school whether you are already an adult whether you are a student or a retiree if you are interested in electronics in the Arduino or in Tinkercad you are in the right place This book is for anyone who already has basic knowledge in the areas of Arduino Tinkercad and electronics So this book is for advanced users Take a look inside now and get your copy as ebook or paperback

**ARDUINO MADE SIMPLE** Ashwin Pajankar, 2018-05-31 Description This book is written in such a way that the concepts are explained in details giving adequate emphasis on circuits and code examples To make the topics more comprehensive circuit diagrams and code snippets are furnished extensively throughout the book The book is designed in such a way to make it reader focused and contains latest topics circuit diagrams code examples references The book features the most current and popular Arduino boards It teaches novice beginners how to create interesting electronics projects with Arduino platform and ecosystem It also benefits the professional level programmers to get shared with Arduino platform ecosystem Key features A Comprehensive coverage of various aspects of Aduino basics ecosystem and Arduino IDE A Covers Arduino Uno Arduino Nano and introduces to the latest Arduino Tian which runs Linux A Simple language crystal clear approach and straight forward comprehensible presentation A Adopting user friendly style for explanation of circuits and code examples A Illustrated with circuit diagrams screenshots and photographs A CD contains Circuit diagrams and code Table of Contents 1 Introduction to Arduino 2 Getting Started 3 Writing Programs for Arduino 4 LED Programming 5 Programming with Push

Buttons 6 Analog Inputs and Various Buses 7 Working with Displays 8 Arrays strings and memory 9 Working with Sound and Sensors 10 More Sensors 11 Arduino PWM 12 Matrix Keypad and Security System 13 SD Card Module IR Receiver and Relay 14 Arduino Nano and Arduino Tian 15 Miscellaneous Topics

*Arduino Project Handbook* Mark Geddes, 2016-06-01 *Arduino Project Handbook* is a beginner friendly collection of electronics projects using the low cost Arduino board With just a handful of components an Arduino and a computer you ll learn to build and program everything from light shows to arcade games to an ultrasonic security system First you ll get set up with an introduction to the Arduino and valuable advice on tools and components Then you can work through the book in order or just jump to projects that catch your eye Each project includes simple instructions colorful photos and circuit diagrams and all necessary code *Arduino Project Handbook* is a fast and fun way to get started with micro controllers that s perfect for beginners hobbyists parents and educators Uses the Arduino Uno board

**Make: Arduino Bots and Gadgets** Kimmo Karvinen, Tero Karvinen, 2011-03-24 Provides information on creating a variety of gadgets and controllers using Arduino

**Arduino BLINK Blueprints** Samarth Shah, Utsav Shah, 2016-05-30 Get the most out of your Arduino to develop exciting and creative LED based projects About This Book Learn to control TV backlighting using an IR remote Get introduced to sound visualization so you are able to use sound controlled LEDs Build an exciting persistence of vision wand Who This Book Is For Anyone with a basic computer knowledge should be able to get the most out of this book Although familiarity with some of the electronics would be helpful it is not a must What You Will Learn Set up Arduino boards to run a basic Hello World program Develop a mood lamp and expand it to become an LED night lamp Control TV backlight color and intensity using an IR remote Develop an IR controlled 4 4 LED cube Use sound visualization to develop a sound controlled LED Christmas tree See a fun way to create interesting long exposure photographs and light displays using persistence of vision POV wands In Detail Arduino is an open source prototyping platform based on easy to use hardware and software Arduino has been used in thousands of different projects and applications by a wide range of programmers and artists and their contributions have added up to an incredible amount of accessible knowledge that can be of great help to novices and experts alike Want to build exciting LED projects with Arduino This book will be your companion to bring out the creative genius in you To begin with you will get introduced to the maker movement and the open source hardware development Arduino boards You will then move on to develop a mood lamp and a remote controlled TV backlight As you progress through the book you will develop an LED cube and will learn to use sound visualization to develop a sound controlled LED Christmas tree You will then move on to build a persistence of vision wand At the end of each chapter you ll see some common problems their solutions and some workarounds Style and approach This book takes a project based approach to building LED based projects with Arduino

*Science and Engineering Projects Using the Arduino and Raspberry Pi* Paul Bradt, David Bradt, 2020-06-20 Hone your understanding of science and engineering concepts with the versatile Arduino microcontroller and powerful Raspberry Pi mini computer The

simple straightforward fun projects in this book use the Arduino and Raspberry Pi to build systems that explore key scientific concepts and develop engineering skills Areas explored include force acceleration heat transfer light and astronomy You ll work with advanced tools such as data logging advanced design manufacturing and assembly techniques that will take you beyond practical application of the projects you ll be creating Technology is ever evolving and changing This book goes beyond simple how tos to teach you the concepts behind these projects and sciences You ll gain the skills to observe and adapt to changes in technology as you work through fun and easy projects that explore fundamental concepts of engineering and science What You ll Learn Measure the acceleration of a car you re riding in Simulate zero gravity Calculate the heat transfer in and out of your house Photography the moon and planets Who This Book Is For Hobbyists students and instructors interested in practical applications and methods to measure and learn about the physical world using inexpensive Maker technologies

**The Arduino Inventor's Guide** Brian Huang, Derek Runberg, 2017-05-15 With Arduino you can build any hardware project you can imagine This open source platform is designed to help total beginners explore electronics and with its easy to learn programming language you can collect data about the world around you to make something truly interactive The Arduino Inventor s Guide opens with an electronics primer filled with essential background knowledge for your DIY journey From there you ll learn your way around the Arduino through a classic hardware entry point blinking LEDs Over the course of the book 11 hands on projects will teach you how to Build a stop light with LEDs Display the volume in a room on a warning dial Design and build a desktop fan Create a robot that draws with a motor and pens Create a servo controlled balance beam Build your own playable mini piano Make a drag race timer to race toy cars against your friends Each project focuses on a new set of skills including breadboarding circuits reading digital and analog inputs reading magnetic temperature and other sensors controlling servos and motors and talking to your computer and the Web with an Arduino At the end of every project you ll also find tips on how to use it and how to mod it with additional hardware or code What are you waiting for Start making and learn the skills you need to own your technology Uses the Arduino Uno board or SparkFun RedBoard

Arduino and Scilab based Projects Rajesh Singh, Anita Gehlot, Bhupendra Singh, 2019-04-08 Arduino and Scilab based Projects provides information ranging from the basics to advanced knowledge of Arduino and its interfacing with input output devices display devices actuators sensors communication modules RF modem Zigbee and Scilab It also provides embedded system based on Arduino with simulation programming and interfacing with Scilab Arduino interfacing with Scilab with and without Arduino 1 1 packages Chapters are arranged in an easy to understand sequence that enhances the learning experience for readers Descriptions of real time project prototypes with programming and simulation of Arduino and Scilab

Yeah, reviewing a books **Arduino And Kinect Projects** could go to your close associates listings. This is just one of the solutions for you to be successful. As understood, skill does not suggest that you have extraordinary points.

Comprehending as with ease as conformity even more than supplementary will find the money for each success. next-door to, the declaration as skillfully as keenness of this Arduino And Kinect Projects can be taken as with ease as picked to act.

[https://py.bijouxmedusa.com/book/book-search/HomePages/For\\_Creators\\_21\\_856\\_Mental\\_Wellness\\_Trends\\_For\\_Entrepreneurs\\_21\\_1083.pdf](https://py.bijouxmedusa.com/book/book-search/HomePages/For_Creators_21_856_Mental_Wellness_Trends_For_Entrepreneurs_21_1083.pdf)

## **Table of Contents Arduino And Kinect Projects**

1. Understanding the eBook Arduino And Kinect Projects
  - The Rise of Digital Reading Arduino And Kinect Projects
  - Advantages of eBooks Over Traditional Books
2. Identifying Arduino And Kinect Projects
  - Exploring Different Genres
  - Considering Fiction vs. Non-Fiction
  - Determining Your Reading Goals
3. Choosing the Right eBook Platform
  - Popular eBook Platforms
  - Features to Look for in an Arduino And Kinect Projects
  - User-Friendly Interface
4. Exploring eBook Recommendations from Arduino And Kinect Projects
  - Personalized Recommendations
  - Arduino And Kinect Projects User Reviews and Ratings
  - Arduino And Kinect Projects and Bestseller Lists
5. Accessing Arduino And Kinect Projects Free and Paid eBooks
  - Arduino And Kinect Projects Public Domain eBooks

- Arduino And Kinect Projects eBook Subscription Services
- Arduino And Kinect Projects Budget-Friendly Options
- 6. Navigating Arduino And Kinect Projects eBook Formats
  - ePub, PDF, MOBI, and More
  - Arduino And Kinect Projects Compatibility with Devices
  - Arduino And Kinect Projects Enhanced eBook Features
- 7. Enhancing Your Reading Experience
  - Adjustable Fonts and Text Sizes of Arduino And Kinect Projects
  - Highlighting and Note-Taking Arduino And Kinect Projects
  - Interactive Elements Arduino And Kinect Projects
- 8. Staying Engaged with Arduino And Kinect Projects
  - Joining Online Reading Communities
  - Participating in Virtual Book Clubs
  - Following Authors and Publishers Arduino And Kinect Projects
- 9. Balancing eBooks and Physical Books Arduino And Kinect Projects
  - Benefits of a Digital Library
  - Creating a Diverse Reading Collection Arduino And Kinect Projects
- 10. Overcoming Reading Challenges
  - Dealing with Digital Eye Strain
  - Minimizing Distractions
  - Managing Screen Time
- 11. Cultivating a Reading Routine Arduino And Kinect Projects
  - Setting Reading Goals Arduino And Kinect Projects
  - Carving Out Dedicated Reading Time
- 12. Sourcing Reliable Information of Arduino And Kinect Projects
  - Fact-Checking eBook Content of Arduino And Kinect Projects
  - Distinguishing Credible Sources
- 13. Promoting Lifelong Learning
  - Utilizing eBooks for Skill Development
  - Exploring Educational eBooks

## 14. Embracing eBook Trends

- Integration of Multimedia Elements
- Interactive and Gamified eBooks

### **Arduino And Kinect Projects Introduction**

In this digital age, the convenience of accessing information at our fingertips has become a necessity. Whether its research papers, eBooks, or user manuals, PDF files have become the preferred format for sharing and reading documents. However, the cost associated with purchasing PDF files can sometimes be a barrier for many individuals and organizations. Thankfully, there are numerous websites and platforms that allow users to download free PDF files legally. In this article, we will explore some of the best platforms to download free PDFs. One of the most popular platforms to download free PDF files is Project Gutenberg. This online library offers over 60,000 free eBooks that are in the public domain. From classic literature to historical documents, Project Gutenberg provides a wide range of PDF files that can be downloaded and enjoyed on various devices. The website is user-friendly and allows users to search for specific titles or browse through different categories. Another reliable platform for downloading Arduino And Kinect Projects free PDF files is Open Library. With its vast collection of over 1 million eBooks, Open Library has something for every reader. The website offers a seamless experience by providing options to borrow or download PDF files. Users simply need to create a free account to access this treasure trove of knowledge. Open Library also allows users to contribute by uploading and sharing their own PDF files, making it a collaborative platform for book enthusiasts. For those interested in academic resources, there are websites dedicated to providing free PDFs of research papers and scientific articles. One such website is Academia.edu, which allows researchers and scholars to share their work with a global audience. Users can download PDF files of research papers, theses, and dissertations covering a wide range of subjects. Academia.edu also provides a platform for discussions and networking within the academic community. When it comes to downloading Arduino And Kinect Projects free PDF files of magazines, brochures, and catalogs, Issuu is a popular choice. This digital publishing platform hosts a vast collection of publications from around the world. Users can search for specific titles or explore various categories and genres. Issuu offers a seamless reading experience with its user-friendly interface and allows users to download PDF files for offline reading. Apart from dedicated platforms, search engines also play a crucial role in finding free PDF files. Google, for instance, has an advanced search feature that allows users to filter results by file type. By specifying the file type as "PDF," users can find websites that offer free PDF downloads on a specific topic. While downloading Arduino And Kinect Projects free PDF files is convenient, its important to note that copyright laws must be respected. Always ensure that the PDF files you download are legally available for free. Many authors and publishers voluntarily provide free PDF versions of their work, but its essential to be cautious and

verify the authenticity of the source before downloading Arduino And Kinect Projects. In conclusion, the internet offers numerous platforms and websites that allow users to download free PDF files legally. Whether its classic literature, research papers, or magazines, there is something for everyone. The platforms mentioned in this article, such as Project Gutenberg, Open Library, Academia.edu, and Issuu, provide access to a vast collection of PDF files. However, users should always be cautious and verify the legality of the source before downloading Arduino And Kinect Projects any PDF files. With these platforms, the world of PDF downloads is just a click away.

## FAQs About Arduino And Kinect Projects Books

**What is a Arduino And Kinect Projects PDF?** A PDF (Portable Document Format) is a file format developed by Adobe that preserves the layout and formatting of a document, regardless of the software, hardware, or operating system used to view or print it. **How do I create a Arduino And Kinect Projects PDF?** There are several ways to create a PDF: Use software like Adobe Acrobat, Microsoft Word, or Google Docs, which often have built-in PDF creation tools. Print to PDF: Many applications and operating systems have a "Print to PDF" option that allows you to save a document as a PDF file instead of printing it on paper. Online converters: There are various online tools that can convert different file types to PDF. **How do I edit a Arduino And Kinect Projects PDF?** Editing a PDF can be done with software like Adobe Acrobat, which allows direct editing of text, images, and other elements within the PDF. Some free tools, like PDFescape or Smallpdf, also offer basic editing capabilities. **How do I convert a Arduino And Kinect Projects PDF to another file format?** There are multiple ways to convert a PDF to another format: Use online converters like Smallpdf, Zamzar, or Adobe Acrobats export feature to convert PDFs to formats like Word, Excel, JPEG, etc. Software like Adobe Acrobat, Microsoft Word, or other PDF editors may have options to export or save PDFs in different formats. **How do I password-protect a Arduino And Kinect Projects PDF?** Most PDF editing software allows you to add password protection. In Adobe Acrobat, for instance, you can go to "File" -> "Properties" -> "Security" to set a password to restrict access or editing capabilities. Are there any free alternatives to Adobe Acrobat for working with PDFs? Yes, there are many free alternatives for working with PDFs, such as: LibreOffice: Offers PDF editing features. PDFsam: Allows splitting, merging, and editing PDFs. Foxit Reader: Provides basic PDF viewing and editing capabilities. How do I compress a PDF file? You can use online tools like Smallpdf, ILovePDF, or desktop software like Adobe Acrobat to compress PDF files without significant quality loss. Compression reduces the file size, making it easier to share and download. Can I fill out forms in a PDF file? Yes, most PDF viewers/editors like Adobe Acrobat, Preview (on Mac), or various online tools allow you to fill out forms in PDF files by selecting text fields and entering information. Are there any restrictions when working with PDFs? Some PDFs might have restrictions set by their creator,

such as password protection, editing restrictions, or print restrictions. Breaking these restrictions might require specific software or tools, which may or may not be legal depending on the circumstances and local laws.

### Find Arduino And Kinect Projects :

[for creators 21-856 mental wellness trends for entrepreneurs 21-1083](#)  
[for entrepreneurs 21-2373 self improvement step by step for small](#)  
[weight loss best practices for startups 21-1725 weight loss best](#)  
[United States 21-2037 crypto investing strategies United States 21-2434](#)  
[tips for entrepreneurs 21-886 freelancing online tips for small business](#)  
[checklist for startups 21-2212 career growth comparison USA 21-543](#)  
[examples USA 21-479 smart home tech examples for entrepreneurs 21-1085](#)  
**21-1149 parenting tips trends for entrepreneurs 21-231 parenting tips**  
[improvement strategies for startups 21-2621 self improvement tools](#)  
**for entrepreneurs 21-1067 SEO strategy guide for small business 21-439**  
[blueprint for startups 21-716 stock market blueprint for startups 21-921](#)  
**development blueprint for startups 21-1831 chatbot development blueprint**  
[for entrepreneurs 21-523 personal finance review America 21-1521](#)  
[online guide United States 21-2032 freelancing online guide for creators](#)  
[recipes tips for creators 21-2054 healthy recipes tips for startups](#)

### Arduino And Kinect Projects :

**fundamentals of the theory of metals barnes noble** - Jun 29 2022  
web fundamentals of the theory of metals abrikosov a a alekseï alekseevich 624476032 contents normal metals an electron in a periodic crystal lattice the electron fermi liquid electrical and thermal conductivity scattering processes galvanomagnetic properties of  
*fundamentals of the theory of metals amazon com* - Feb 06 2023  
web james burkett hartle thomas hertog a a abrikosov l m falicov fundamentals of the theory of metals physics today volume 43 issue 4 1 april 1990 pages 73 76 doi org 10 1063 1 28  
**fundamentals of the theory of metals by abrikosov a a** - Sep 13 2023

web oct 18 2017 paperback 29 79 35 42 5 used from 25 79 19 new from 28 99 this comprehensive primer by a nobel physicist covers the electronic spectra of metals electrical and thermal conductivities galvanomagnetic and thermoelectrical phenomena the behavior of metals in high frequency fields sound absorption and fermi liquid phenomena  
*fundamentals of the theory of metals by abrikosov a a* - Mar 27 2022

web this comprehensive primer by a nobel physicist covers the electronic spectra of metals electrical and thermal conductivities galvanomagnetic and thermoelectrical phenomena the behavior of metals in high frequency fields sound absorption and fermi liquid phenomena

**fundamentals of the theory of metals 9780486819013** - Jul 31 2022

web fundamentals of the theory of metals is intended for undergraduate students majoring in physics and also for graduate and postgraduate students research workers and teachers the presentation presumes a knowledge of quantum mechanics and quantum statistics but no special knowledge of metals that goes beyond the course of general physics is

*fundamentals of the theory of metals dover* - Aug 12 2023

web about this ebook this comprehensive primer by a nobel physicist covers the electronic spectra of metals electrical and thermal conductivities galvanomagnetic and thermoelectrical phenomena the behavior of metals in high frequency fields sound absorption and fermi liquid phenomena

*fundamentals of the theory of metals abrikosov a* - Jul 11 2023

web fundamentals of the theory of metals a abrikosov l falicov published 1988 physics preface part i normal metals 1 an electron in a periodic crystal lattice 2 the electron fermi liquid 3 electrical and thermal conductivity 4 scattering processes 5 galvanomagnetic properties of metals 6 thermoelectric and thermomagnetic

**fundamentals of the theory of metals amazon com** - Feb 23 2022

web nov 10 2023 the high electrical and thermal conductivities of the simple metals i e the non transition metals of the periodic table are best explained by reference to the free electron theory according to this concept the individual atoms in such metals have lost their valence electrons to the entire solid and these free electrons that give rise to

**precious gold inches higher as investors focus on us inflation** - Aug 20 2021

*fundamentals of the theory of metals perlego* - Oct 02 2022

web fundamentals of the theory of metals is written by a a abrikosov and published by dover publications the digital and etextbook isbn for fundamentals of the theory of metals are 9780486825762 0486825760 and the print isbn are 9780486819013 0486819019 save up to 80 versus print by going digital with vitalsource

**precious gold supported by dovish fed expectations after soft** - Sep 20 2021

web nov 11 2023 in the commodities market trivedi believes the fundamentals for precious metals like gold and silver are positive while demand concerns may loom over base metals edited excerpts

**fundamentals of the theory of metals by abrikosov a a** - Jan 25 2022

web jan 1 2010 matthias scheffler we address the nature of the bond between water molecules and metal surfaces through a systematic density functional theory dft study of h<sub>2</sub>o monomer adsorption on a series

**fundamentals of the theory of metals google books** - Oct 14 2023

web 8 rows oct 18 2017 this comprehensive primer by a nobel physicist covers the electronic spectra of metals electrical

**fundamentals of the theory of metals amazon com au** - May 29 2022

web buy fundamentals of the theory of metals illustrated by abrikosov a a g sudarshan e c isbn 9780486819013 from amazon s book store everyday low prices and free delivery on eligible orders

*fundamentals of the theory of metals by abrikosov a a* - Sep 01 2022

web oct 18 2017 this comprehensive primer by a nobel physicist covers the electronic spectra of metals electrical and thermal conductivities galvanomagnetic and thermoelectrical phenomena the behavior of metals in high frequency fields sound absorption and fermi liquid phenomena addressing in detail all aspects of the energy spectra of electrons in

fundamentals of the theory of metals google books - Apr 08 2023

web sep 20 2017 this comprehensive primer by a nobel physicist covers the electronic spectra of metals electrical and thermal conductivities galvanomagnetic and thermoelectrical phenomena the behavior of metals in high frequency fields sound absorption and fermi liquid phenomena

**a a abrikosov fundamentals of the theory of metals** - Mar 07 2023

web this comprehensive primer by a nobel physicist covers the electronic spectra of metals electrical and thermal conductivities galvanomagnetic and thermoelectrical phenomena the behavior of metals in high frequency fields sound absorption and fermi liquid phenomena

*fundamentals of the theory of metals semantic scholar* - May 09 2023

web fundamentals of the theory of metals north holland amsterdam oxford new york tokyo 1988 630 seiten 161 abbildungen us 118 50 dfl 225 00 hardbound us 58 00 dfl 110 00 paperback isbn 0444 870954 w john first published april 1989 doi org 10 1002 crat 2170240423 citations 1 pdf tools share

an introduction to the theory of metal surfaces researchgate - Nov 22 2021

web 3 hours ago fundamentals spot gold held its ground at 1 962 97 per ounce as of 0113 gmt after rising 0 9 overnight u s gold futures were steady at 1 966 80

**carbonyl rich porous organic polymers for cobalt adsorption from** - Oct 22 2021

web 2 days ago fundamentals spot gold was up 0.1 at 1939.19 per ounce as of 0102 gmt after slipping to its lowest since oct 18 on friday u s gold futures gained 0.3 to 1943.40  
diwali 2023 gold to glitter base metals may struggle says mint - Jul 19 2021

*metal definition characteristics types facts britannica* - Dec 24 2021

web oct 31 2023 transition metals such as cobalt are necessary for various clean energy technologies notably electric vehicle batteries global demand for these metals is therefore projected to increase exponentially in coming decades metal ion adsorption from water offers many advantages over mining as adsorption processes are fundamentals and  
**fundamentals of the theory of metals worldcat org** - Apr 27 2022

web nov 15 1988 fundamentals of the theory of metals is intended for undergraduate students majoring in physics and also for graduate and postgraduate students research workers and teachers the presentation presumes a knowledge of quantum mechanics and quantum statistics but no special knowledge of metals that goes beyond the course of  
*fundamentals of the theory of metals scribd* - Jun 10 2023

web fundamentals of the theory of metals alekseĭ alekseevich abrikosov north holland 1988 electron theory of metals 630 pages hardbound fundamentals of the theory of metals has grown  
**fundamentals of the theory of metals open library** - Nov 03 2022

web this comprehensive primer by a nobel physicist covers the electronic spectra of metals electrical and thermal conductivities galvanomagnetic and thermoelectrical phenomena the behavior of metals in high frequency fields sound absorption and fermi liquid phenomena

**fundamentals of the theory of metals google play** - Jan 05 2023

web oct 30 2022 import existing book april 1 2008 created by an anonymous user imported from scriblio marc record fundamentals of the theory of metals by a a abrikosov 1988 north holland sole distributors for the usa and canada elsevier science pub co edition in english

**fundamentals of the theory of metals aip publishing** - Dec 04 2022

web this comprehensive primer by a nobel physicist covers the electronic spectra of metals electrical and thermal conductivities galvanomagnetic and thermoelectrical phenomena the behavior of metals in high frequency fields sound absorption and fermi liquid phenomena addressing in detail all aspects of the energy spectra of electrons in metals

**pdf ccp certification study guide academia edu** - Jul 14 2023

web the design and layout of this study guide is intended to assist readers in testing their knowledge of cost engineering by offering practice problems and questions related to the subject matter addressed in s k 6 first published in 1996 as the ccc

cce certification study guide the ccp certification study guide has gone through several

**engineering ccp notes pdf 2015 ieeeglobalsip org** - Apr 11 2023

web apr 8 2023 engineering ccp notes yeah reviewing a ebook engineering ccp notes could mount up your near contacts listings this is just one of the solutions for you to be successful as understood expertise does not recommend that you have astonishing points comprehending as with ease as concurrence even more than further will provide each

*engineering ccp notes postwar hausderkunst de* - Jan 08 2023

web may 20th 2018 prof dr munesh chandra trivedi software engineering lecture notes ccp lecture notes posted nov 17 2012 2 55 am by munesh trivedi engineering science community college of philadelphia june 21st 2018 our engineering science program teaches you how to understand complex concepts and apply them in

**engineering ccp notes jobs feedier** - Feb 26 2022

web apr 29 2023 engineering ccp notes vtU 1st amp 2nd sem all branches notes download 10ccp13 10ccp23 ccp notes 1 10mat11 06mat11 m1 notes download engineering mathematics 2 vtU notes engineering physics mathematics 2 chemistry civil ccp data structure based on new syllabus 2014 thank u ur doing a

engineering community college of philadelphia - Aug 15 2023

web building a better world our engineering program teaches you how to understand complex concepts and apply them in the physical world you will learn skills to solve problems and develop plans work successfully in teams use computers for a variety of tasks enhance critical thinking and calculation skills and create engineering designs

*manaseer ic com* - Jun 13 2023

web manaseer ic com

engineering ccp notes uniport edu ng - Mar 30 2022

web may 29 2023 engineering ccp notes 1 8 downloaded from uniport edu ng on may 29 2023 by guest engineering ccp notes as recognized adventure as without difficulty as experience about lesson amusement as with ease as accord can be gotten by just checking out a books engineering ccp notes after that it is not directly

engineering ccp notes jetpack theaoi - Jul 02 2022

web engineering ccp notes engineering ccp notes ccp lecture notes prof dr munesh chandra trivedi eve online blood raider shipyard under attack 1st year book spar website for students vtU notes applied science and engineering technology community ering vtU notes is the link to download notes for other computer science

**engineering ccp notes** - Mar 10 2023

web june 3rd 2018 engineering ccp notes pdf free download here the chinese civil war raged on between the chinese communist party ccp and the republic of china who were led by the home rightster com 1 2

*cp engineering abbreviation meaning all acronyms* - Jan 28 2022

web get the top cp abbreviation related to engineering suggest cp engineering abbreviation what is cp meaning in engineering 20 meanings of cp abbreviation related to engineering engineering sort cp engineering abbreviation 10 cp cathodic protection gas oil oilfield gas oil oilfield 6 cp control panel

**ccp mechanical engineering abbreviation meaning all acronyms** - Aug 03 2022

web mechanical engineering ccp abbreviation meaning defined here what does ccp stand for in mechanical engineering get the top ccp abbreviation related to mechanical engineering

*ccp engineering* - Sep 04 2022

web the ccp college of engineering provides quality engineering education for students to become technically proficient and capable of creating innovative and ethical applications of engineering knowledge and skills and solutions to the problems and challenges of the times ahead it also provides education that trains students to obtain the

a novel carbon reduction engineering method based deep q - Apr 30 2022

web sep 14 2023 the semiconductor industry is a resource intensive sector that heavily relies on energy water chemicals and raw materials within the semiconductor manufacturing process the diffusion furnace ion implantation machine and plasma etching machine exhibit high energy demands or operate at extremely high temperatures resulting in

**engineering ccp notes help environment harvard edu** - Jun 01 2022

web it is your certainly own time to doing reviewing habit accompanied by guides you could enjoy now is engineering ccp notes below china notes 156 department of housing and urban development and certain independent agencies appropriations for fiscal year 1982 american battle monuments commission united states congress senate

**gradient heating induced better balance among water** - Dec 07 2022

web sep 15 2023 due to the wettability difference between the evaporation layer pva aerogel and heating layer ccp film a record stable temperature gradient of nearly 70 c was formed between the ccp film and the pva aerogel under 1 sun irradiation so that heat on the high temperature ccp film was continuously transferred to the low temperature

engineering ccp notes admision cbp edu pe - Feb 09 2023

web 4 engineering ccp notes 2020 12 01 development scholars from the humanities and social sciences as well as engineers themselves reflect on key questions that arise in this relational context such as how international development work affects the professional views identities practice and

**ccp engineering abbreviation meaning all acronyms** - Oct 05 2022

web what is ccp meaning in engineering 10 meanings of ccp abbreviation related to engineering vote 6 vote ccp corporate crisis plan business oil industry gas industry business oil industry gas industry

**engineering ccp notes jetpack theaoi** - Nov 06 2022

web engineering ccp notes cppmechengtutorials uploaded a video 23 hours ago 7 28 play next play now written and produced by dr nolan tsuchiya in the mechanical engineering vtu 1st amp 2nd sem all branches notes download 10ccp13 10ccp23 ccp notes 1 10mat11 06mat11 m1 notes download engineering mathematics 2 vtu notes

b tech first year notes uptu notes - Dec 27 2021

web sep 8 2023 computer science engineering notes cse second year notes cse third year notes cse fourth year notes electronics and communication engineering notes ec second year notes ec third year notes ec fourth year notes mechanical engineering notes me first year notes me fourth year notes me second year notes me third year

e book engineering ccp notes free epub - May 12 2023

web aug 16 2023 topics covered include electrical engineering manufacturing engineering industrial engineering computer science engineering mathematics and industrial applications the book offers state of the art advances in engineering sciences

**amazon com customer reviews looking for alaska deluxe edition** - Jul 22 2022

web the looking for alaska special 10th anniversary edition comes with 50 pages of bonus content get your copy here

**looking for alaska 10th anniversary edition hardcover** - Jun 01 2023

web miles halter s whole life has been one big non event until he starts at anything but boring culver creek boarding school and meets alaska young gorgeous clever funny and

**the looking for alaska special 10th anniversary looking for** - May 20 2022

web looking for alaska 10th anniversary edition by john green 9780008120924 booktopia books kids childrens books childrens fiction action adventure

*looking for alaska 10th anniversary abebooks* - Feb 26 2023

web jan 13 2015 publisher description to commemorate 10 years in print john green s printz award winning debut novel is being reissued in hardcover with a stunning new

*looking for alaska by john green open library* - Apr 18 2022

web looking for alaska brilliantly chronicles the indelible impact one life can have on another a modern classic this stunning debut marked 1 bestselling author john green s arrival as

**looking for alaska anniversary edition announced with** - Sep 23 2022

web rating 10 10 see themathom house dot come for more reviews like this 4 people found this helpful helpful report also no wordsss reviewed in the united states on august 21

*looking for alaska special 10th anniversary* - Sep 04 2023

web looking for alaska deluxe edition by john green 9780525428022 penguinrandomhouse com books a gorgeous collector s

edition of the critically

[looking for alaska deluxe edition penguin random house](#) - Jul 02 2023

web mar 3 2005 looking for alaska kindle edition published january 13th 2015 by dutton books for young readers special 10th anniversary edition kindle edition 369

*editions of looking for alaska by john green goodreads* - Apr 30 2023

web looking for alaska 10th anniversary john green published by harpercollins publishers ltd 10th anniversary edition january 1 2015 2015

*looking for alaska on apple books* - Dec 27 2022

web looking for alaska 10th anniversary edition kindle edition by john green author format kindle edition 4 5 4 5 out of 5 stars 30 794 ratings

**looking for alaska deluxe edition green john amazon ca books** - Jan 16 2022

**alaska 10th anniversary edition abebooks** - Aug 23 2022

web by caitlin white jan 13 2015 cooper neill getty images entertainment getty images john green s debut young adult novel looking for alaska hit our bookshelves 10 years ago

[looking for alaska deluxe edition kindle edition](#) - Feb 14 2022

web looking for alaska brilliantly chronicles the indelible impact one life can have on another a modern classic this stunning debut marked 1 bestselling author john green s arrival as

**looking for alaska 10th anniversary edition harpercollins** - Mar 30 2023

web looking for alaska 10th anniversary edition by john green buy now the authors definitive edition of this unmissable first novel from bestselling and award winning author

*looking for alaska ebook green john amazon in books* - Oct 25 2022

web looking for alaska special 10th anniversary edition by green john and a great selection of related books art and collectibles available now at abebooks com

**looking for alaska deluxe edition overdrive** - Nov 25 2022

web oct 14 2014 according to a press release looking for alaska s 10th anniversary edition will feature an introduction by john green looking back at looking for alaska

**looking for alaska deluxe edition amazon com** - Oct 05 2023

web looking for alaska is another fantastic book by john green it is funny and heartbreaking at the same time this gives you new directions and point of thinking

[looking for alaska 10th anniversary edition harpercollins](#) - Jan 28 2023

web jan 13 2015 a gorgeous collector s edition of the critically acclaimed debut novel by john green 1 bestselling author of turtles all the way down and the fault in our stars a

[looking for alaska 10th anniversary edition hardcover](#) - Aug 03 2023

web a brand new introduction from john green never before seen passages from original manuscript a q a with the author responding to fans favourite questions miles halter

[looking for alaska 10th anniversary edition by john green](#) - Mar 18 2022

web a gorgeous collector s edition of the critically acclaimed debut novel by john green 1 bestselling author of turtles all the way down and the fault in our stars a perfect gift

[looking for alaska 10th anniversary edition john green](#) - Nov 13 2021

**on the 10th anniversary of looking for alaska 8 reasons why** - Jun 20 2022

web jul 17 2023 looking for alaska by john green 2015 dutton books an imprint of penguin group usa llc edition in english special 10th anniversary edition

**looking for alaska deluxe edition green john amazon in books** - Dec 15 2021