

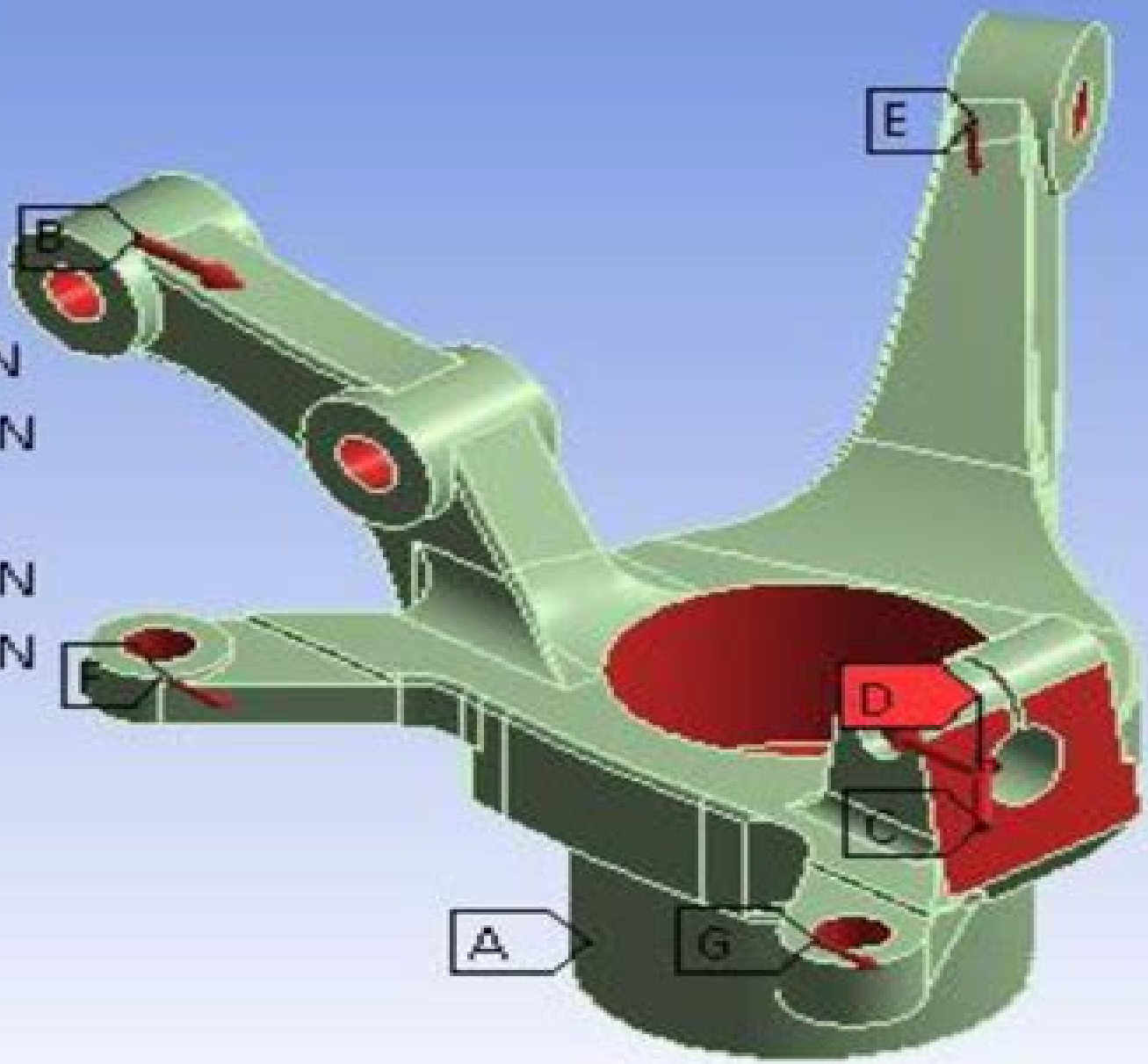
A: Static Structural

Static Structural

Time: 1. s

01-03-2019 15:11

- A** Fixed Support
- B** Force: 4929.5 N
- C** Force 2: 14325 N
- D** Force 3: 4929.5 N
- E** Force 4: 50. N
- F** Force 5: 2464.8 N
- G** Force 6: 2464.8 N



Static Analysis Of Steering Knuckle And Its Shape Optimization

David Kirk



Static Analysis Of Steering Knuckle And Its Shape Optimization:

Advances in Lightweight Materials and Structures A. Praveen Kumar, Tatacipta Dirgantara, P. Vamsi Krishna, 2020-10-13

This book presents select proceedings of the International Conference on Advanced Lightweight Materials and Structures ICALMS 2020 and discusses the triad of processing structure and various properties of lightweight materials It provides a well balanced insight into materials science and mechanics of both synthetic and natural composites The book includes topics such as nano composites for lightweight structures impact and failure of structures biomechanics and biomedical engineering nanotechnology and micro engineering tool design and manufacture for producing lightweight components joining techniques for lightweight structures for similar and dissimilar materials design for manufacturing reliability and safety robotics automation and control fatigue and fracture mechanics and friction stir welding in lightweight sandwich structures The book also discusses latest research in composite materials and their applications in the field of aerospace construction wind energy automotive electronics and so on Given the range of topics covered this book can be a useful resource for beginners researchers and professionals interested in the wide ranging applications of lightweight structures

Annual Index/abstracts of SAE Technical Papers ,2001 *Highway Safety Literature* ,1978 Recent Innovations in Sciences and Humanities M. Priya,V. Anandan,2025-03-14 The Conference covered a wide range of themes in various disciplines In the field of English the conference focused on digital tools in teaching and learning the use of AI in language teaching and learning literature in English language teaching teacher training and professional development as well as linguistic competence in English language teachers For those interested in mathematics the conference explored topics such as computational methods for linear and non linear optimization mathematical models for computer science numerical analysis boundary value problems real and complex analysis probability and statistics fluid dynamics sequence spaces mathematics education applied mathematics differential equations and game theory In the field of physics the conference delved into materials science and engineering functional materials computational materials science nanomaterials and nanotechnology structural materials photonic materials engineering biomaterials biomechanics and biosensors Lastly in the field of chemistry the conference discussed materials chemistry composite coating and ceramic materials soft matter and nanoscale materials energy systems and materials functional thin film materials nanostructures and nanofilms polymers and biopolymers as well as surface science and engineering *Announcement of Highway Safety Literature* ,1978 *HRIS Abstracts* ,1978 **Steering Wheel Static Structural Analysis Process Optimization** Rubens de Freitas,Alexandre M. A. Costa,Society of Automotive Engineers,1994 **Fatigue analysis of steering knuckle** Ammer Ezhar Mohd Razalli,2015

Thank you for reading **Static Analysis Of Steering Knuckle And Its Shape Optimization**. As you may know, people have search hundreds times for their favorite readings like this Static Analysis Of Steering Knuckle And Its Shape Optimization, but end up in infectious downloads.

Rather than enjoying a good book with a cup of tea in the afternoon, instead they juggled with some malicious virus inside their laptop.

Static Analysis Of Steering Knuckle And Its Shape Optimization is available in our book collection an online access to it is set as public so you can get it instantly.

Our digital library saves in multiple locations, allowing you to get the most less latency time to download any of our books like this one.

Kindly say, the Static Analysis Of Steering Knuckle And Its Shape Optimization is universally compatible with any devices to read

https://py.bijouxmedusa.com/public/virtual-library/index.jsp/Small_Business_87_2104_Data_Science_Careers_Checklist_America_87_2134.pdf

Table of Contents Static Analysis Of Steering Knuckle And Its Shape Optimization

1. Understanding the eBook Static Analysis Of Steering Knuckle And Its Shape Optimization
 - The Rise of Digital Reading Static Analysis Of Steering Knuckle And Its Shape Optimization
 - Advantages of eBooks Over Traditional Books
2. Identifying Static Analysis Of Steering Knuckle And Its Shape Optimization
 - Exploring Different Genres
 - Considering Fiction vs. Non-Fiction
 - Determining Your Reading Goals
3. Choosing the Right eBook Platform
 - Popular eBook Platforms
 - Features to Look for in an Static Analysis Of Steering Knuckle And Its Shape Optimization

- User-Friendly Interface
- 4. Exploring eBook Recommendations from Static Analysis Of Steering Knuckle And Its Shape Optimization
 - Personalized Recommendations
 - Static Analysis Of Steering Knuckle And Its Shape Optimization User Reviews and Ratings
 - Static Analysis Of Steering Knuckle And Its Shape Optimization and Bestseller Lists
- 5. Accessing Static Analysis Of Steering Knuckle And Its Shape Optimization Free and Paid eBooks
 - Static Analysis Of Steering Knuckle And Its Shape Optimization Public Domain eBooks
 - Static Analysis Of Steering Knuckle And Its Shape Optimization eBook Subscription Services
 - Static Analysis Of Steering Knuckle And Its Shape Optimization Budget-Friendly Options
- 6. Navigating Static Analysis Of Steering Knuckle And Its Shape Optimization eBook Formats
 - ePub, PDF, MOBI, and More
 - Static Analysis Of Steering Knuckle And Its Shape Optimization Compatibility with Devices
 - Static Analysis Of Steering Knuckle And Its Shape Optimization Enhanced eBook Features
- 7. Enhancing Your Reading Experience
 - Adjustable Fonts and Text Sizes of Static Analysis Of Steering Knuckle And Its Shape Optimization
 - Highlighting and Note-Taking Static Analysis Of Steering Knuckle And Its Shape Optimization
 - Interactive Elements Static Analysis Of Steering Knuckle And Its Shape Optimization
- 8. Staying Engaged with Static Analysis Of Steering Knuckle And Its Shape Optimization
 - Joining Online Reading Communities
 - Participating in Virtual Book Clubs
 - Following Authors and Publishers Static Analysis Of Steering Knuckle And Its Shape Optimization
- 9. Balancing eBooks and Physical Books Static Analysis Of Steering Knuckle And Its Shape Optimization
 - Benefits of a Digital Library
 - Creating a Diverse Reading Collection Static Analysis Of Steering Knuckle And Its Shape Optimization
- 10. Overcoming Reading Challenges
 - Dealing with Digital Eye Strain
 - Minimizing Distractions
 - Managing Screen Time
- 11. Cultivating a Reading Routine Static Analysis Of Steering Knuckle And Its Shape Optimization
 - Setting Reading Goals Static Analysis Of Steering Knuckle And Its Shape Optimization

- Carving Out Dedicated Reading Time
- 12. Sourcing Reliable Information of Static Analysis Of Steering Knuckle And Its Shape Optimization
 - Fact-Checking eBook Content of Static Analysis Of Steering Knuckle And Its Shape Optimization
 - Distinguishing Credible Sources
- 13. Promoting Lifelong Learning
 - Utilizing eBooks for Skill Development
 - Exploring Educational eBooks
- 14. Embracing eBook Trends
 - Integration of Multimedia Elements
 - Interactive and Gamified eBooks

Static Analysis Of Steering Knuckle And Its Shape Optimization Introduction

In the digital age, access to information has become easier than ever before. The ability to download Static Analysis Of Steering Knuckle And Its Shape Optimization has revolutionized the way we consume written content. Whether you are a student looking for course material, an avid reader searching for your next favorite book, or a professional seeking research papers, the option to download Static Analysis Of Steering Knuckle And Its Shape Optimization has opened up a world of possibilities. Downloading Static Analysis Of Steering Knuckle And Its Shape Optimization provides numerous advantages over physical copies of books and documents. Firstly, it is incredibly convenient. Gone are the days of carrying around heavy textbooks or bulky folders filled with papers. With the click of a button, you can gain immediate access to valuable resources on any device. This convenience allows for efficient studying, researching, and reading on the go. Moreover, the cost-effective nature of downloading Static Analysis Of Steering Knuckle And Its Shape Optimization has democratized knowledge. Traditional books and academic journals can be expensive, making it difficult for individuals with limited financial resources to access information. By offering free PDF downloads, publishers and authors are enabling a wider audience to benefit from their work. This inclusivity promotes equal opportunities for learning and personal growth. There are numerous websites and platforms where individuals can download Static Analysis Of Steering Knuckle And Its Shape Optimization. These websites range from academic databases offering research papers and journals to online libraries with an expansive collection of books from various genres. Many authors and publishers also upload their work to specific websites, granting readers access to their content without any charge. These platforms not only provide access to existing literature but also serve as an excellent platform for undiscovered authors to share their work with the world. However, it is essential to be cautious while downloading Static Analysis Of Steering Knuckle And Its Shape Optimization. Some websites may offer

pirated or illegally obtained copies of copyrighted material. Engaging in such activities not only violates copyright laws but also undermines the efforts of authors, publishers, and researchers. To ensure ethical downloading, it is advisable to utilize reputable websites that prioritize the legal distribution of content. When downloading Static Analysis Of Steering Knuckle And Its Shape Optimization, users should also consider the potential security risks associated with online platforms. Malicious actors may exploit vulnerabilities in unprotected websites to distribute malware or steal personal information. To protect themselves, individuals should ensure their devices have reliable antivirus software installed and validate the legitimacy of the websites they are downloading from. In conclusion, the ability to download Static Analysis Of Steering Knuckle And Its Shape Optimization has transformed the way we access information. With the convenience, cost-effectiveness, and accessibility it offers, free PDF downloads have become a popular choice for students, researchers, and book lovers worldwide. However, it is crucial to engage in ethical downloading practices and prioritize personal security when utilizing online platforms. By doing so, individuals can make the most of the vast array of free PDF resources available and embark on a journey of continuous learning and intellectual growth.

FAQs About Static Analysis Of Steering Knuckle And Its Shape Optimization Books

How do I know which eBook platform is the best for me? Finding the best eBook platform depends on your reading preferences and device compatibility. Research different platforms, read user reviews, and explore their features before making a choice. Are free eBooks of good quality? Yes, many reputable platforms offer high-quality free eBooks, including classics and public domain works. However, make sure to verify the source to ensure the eBook credibility. Can I read eBooks without an eReader? Absolutely! Most eBook platforms offer webbased readers or mobile apps that allow you to read eBooks on your computer, tablet, or smartphone. How do I avoid digital eye strain while reading eBooks? To prevent digital eye strain, take regular breaks, adjust the font size and background color, and ensure proper lighting while reading eBooks. What the advantage of interactive eBooks? Interactive eBooks incorporate multimedia elements, quizzes, and activities, enhancing the reader engagement and providing a more immersive learning experience. Static Analysis Of Steering Knuckle And Its Shape Optimization is one of the best book in our library for free trial. We provide copy of Static Analysis Of Steering Knuckle And Its Shape Optimization in digital format, so the resources that you find are reliable. There are also many Ebooks of related with Static Analysis Of Steering Knuckle And Its Shape Optimization. Where to download Static Analysis Of Steering Knuckle And Its Shape Optimization online for free? Are you looking for Static Analysis Of Steering Knuckle And Its Shape Optimization PDF? This is definitely going to save you time and cash in something you should think about. If you trying to find then search around for online. Without a doubt there are numerous these available and many of them have the

freedom. However without doubt you receive whatever you purchase. An alternate way to get ideas is always to check another Static Analysis Of Steering Knuckle And Its Shape Optimization. This method for see exactly what may be included and adopt these ideas to your book. This site will almost certainly help you save time and effort, money and stress. If you are looking for free books then you really should consider finding to assist you try this. Several of Static Analysis Of Steering Knuckle And Its Shape Optimization are for sale to free while some are payable. If you arent sure if the books you would like to download works with for usage along with your computer, it is possible to download free trials. The free guides make it easy for someone to free access online library for download books to your device. You can get free download on free trial for lots of books categories. Our library is the biggest of these that have literally hundreds of thousands of different products categories represented. You will also see that there are specific sites catered to different product types or categories, brands or niches related with Static Analysis Of Steering Knuckle And Its Shape Optimization. So depending on what exactly you are searching, you will be able to choose e books to suit your own need. Need to access completely for Campbell Biology Seventh Edition book? Access Ebook without any digging. And by having access to our ebook online or by storing it on your computer, you have convenient answers with Static Analysis Of Steering Knuckle And Its Shape Optimization To get started finding Static Analysis Of Steering Knuckle And Its Shape Optimization, you are right to find our website which has a comprehensive collection of books online. Our library is the biggest of these that have literally hundreds of thousands of different products represented. You will also see that there are specific sites catered to different categories or niches related with Static Analysis Of Steering Knuckle And Its Shape Optimization So depending on what exactly you are searching, you will be able to choose ebook to suit your own need. Thank you for reading Static Analysis Of Steering Knuckle And Its Shape Optimization. Maybe you have knowledge that, people have search numerous times for their favorite readings like this Static Analysis Of Steering Knuckle And Its Shape Optimization, but end up in harmful downloads. Rather than reading a good book with a cup of coffee in the afternoon, instead they juggled with some harmful bugs inside their laptop. Static Analysis Of Steering Knuckle And Its Shape Optimization is available in our book collection an online access to it is set as public so you can download it instantly. Our digital library spans in multiple locations, allowing you to get the most less latency time to download any of our books like this one. Merely said, Static Analysis Of Steering Knuckle And Its Shape Optimization is universally compatible with any devices to read.

Find Static Analysis Of Steering Knuckle And Its Shape Optimization :

small business 87-2104 data science careers checklist America 87-2134

tips for small business 87-1635 interview tips tips for small business

[beginners examples for startups 87-1281 coding for beginners for](#)

self improvement comparison America 87-897 self improvement comparison
content marketing strategies America 87-2642 content marketing
small business 87-1682 career growth case study USA 87-1259 career
business ideas blueprint for small business 87-2292 small business ideas
explained for entrepreneurs 87-1553 productivity hacks explained for
87-2747 small business ideas software USA 87-370 small business ideas
87-593 retirement planning tools for small business 87-2361 retirement
productivity hacks tools for startups 87-2159 productivity hacks trends
tips for entrepreneurs 87-1026 print on demand tips for startups 87-2805
USA 87-1991 YouTube growth examples for small business 87-787 YouTube
cybersecurity review for small business 87-2357 cybersecurity review for
sustainable living tips for creators 87-1809 sustainable living tips for

Static Analysis Of Steering Knuckle And Its Shape Optimization :

wonders unit 4 week 1 rosa selection test quizizz - Jun 30 2022

web selection test unit 5 week 4 a stunning fictional value overflowing with natural thoughts lies an immersive symphony waiting to be embraced constructed by a wonderful

3rd grade wonders elizabeth leads the way selection test - Aug 13 2023

web this bundle includes weekly selections tests for 3rd grade wonders there is a weekly test starting from unit 1 week 1 to unit 6 week 4 i did not make unit 6 week 5 we rarely

wonders unit 4 week 5 selection test quizizz - Sep 14 2023

web wonders unit 4 week 5 selection test quiz for 4th grade students find other quizzes for english and more on quizizz for free

wonders grade 4 unit 1 week 5 selection test tpt - Feb 07 2023

web wonders grade 5 unit 3 week 4 share 4 2 65 reviews flashcards learn test 1 8 flashcards learn test match created by lisa smith83 teacher terms in this set 8

wonders 2nd grade unit 4 week 4 teaching resources tpt - Nov 04 2022

web classes wonders unit 4 week 1 rosa selection test quiz for 5th grade students find other quizzes for english and more on quizizz for free

selection test unit 5 week 4 willistowerswatson lifesight - Feb 24 2022

selection test unit 5 week 4 download only - May 30 2022

web blogger 2nd grade unit 1 week 3 scribd grade 4 unit 5 week 1 selection test name pdf free second grade ela sequencing document unit 5 week 1 pearson

primary 5 english exam test papers - Jan 06 2023

web this resource contains skills that follow unit 4 week 5 of mcgraw hill wonders reading curriculum skills covered phonics r controlled air are ear high frequency words

unit 5 week 4 vocab selection test grade 5 reading wonders - Oct 15 2023

web unit 5 week 4 vocab selection test grade 5 reading wonders quiz for 5th grade students find other quizzes for english and more on quizzz for free

wonders unit 4 week 5 selection test tpt - Dec 05 2022

web this is a test review for the singapore program in math it is for the fourth grade s chapter 5 includes answer key the problems are very similar to the ones on the test just the

mcgraw hill wonders fourth grade resources and printouts - Nov 23 2021

[mcgraw hill wonders fifth grade resources and](#) - May 10 2023

web vdomdhtmltml wonders grade 4 unit 1 week 5 selection test teaching resources tpt browse wonders grade 4 unit 1 week 5 selection test resources on teachers pay

results for 4th grade wonders unit 5 week 4 reading tpt - Mar 08 2023

web wonders 2nd grade unit 4 week 4 teaching resources tpt you selected keyword wonders 2nd grade unit 4 week 4 formats google apps pdf see all formats grades

mrs kresley fourth grade wonders mifflinburg - Jun 11 2023

web spelling test 4th grade reading wonders unit 4 week 5 achievements created by mission success use these three online self grading spelling tests using google

grade 5 summative test no 1 q4 weeks 1 2 sy 2022 - Dec 25 2021

wonders grade 5 unit 3 week 4 flashcards quizlet - Oct 03 2022

web selection test unit 5 week 4 1 selection test unit 5 week 4 this is likewise one of the factors by obtaining the soft documents of this selection test unit 5 week 4 by online

firefighter unit 5 week 1 selection test - Jan 26 2022

2nd grade unit 4 week 5 wonders teaching resources tpt - Sep 02 2022

web unit testing principles practices and patterns the castle on hester street selection test unit 5 week 4 downloaded from clrimymac.com by guest oconnor nash

selection test unit 5 week 4 download only clrimymac - Apr 28 2022

web apr 24 2023 below are the available ready made summative tests for grade 5 covering weeks 1 2 summative tests no 1 of quarter 4 these tests are based on the most

summative test quiz week 5 quarter 4 sy 2022 2023 - Mar 28 2022

web unit 4 5 unit four week five please email me with any corrections needed i work on these late at night and make many mistakes unit 5 1 unit five week one please email me

wonders second grade unit five week four - Jul 12 2023

web class weekly and unit test results 72 g1 3 every 4 to 6 weeks until mastery on needed skills g4 6 only as needed individually each week of instruction group

singapore 4th grade chapter 5 math test review 9 pages - Aug 01 2022

web jun 5 2023 below are the available ready made summative tests for grade 1 to 6 covering weeks 5 6 of quarter 4 these tests are based on the most essential

assessment handbook mcgraw hill education - Apr 09 2023

web primary 5 english exam test papers year 2022 exam papers 2022 p5 english semestral assessment 2 acs pdf 2022 p5 english semestral assessment 2 ai tong pdf 2022 p5

watch tokyo ghoul episode 11 english subbed gogoanime - Sep 21 2023

web anime tokyo ghoul the following tokyo ghoul episode 11 english sub has been released at gogoanime real gogoanime will always be the first to have the episode so please bookmark for update expand tokyo is haunted by mysterious ghouls who are devouring humans

watch tokyo ghoul crunchyroll - May 17 2023

web stream and watch the anime tokyo ghoul on crunchyroll haise sasaki has been tasked with teaching qs squad how to be outstanding investigators but his assignment is complicated by the troublesome

tokyo ghoul high spirits watch on crunchyroll - Mar 15 2023

web nov 24 2020 watch tokyo ghoul high spirits on crunchyroll kaneki is held captive by yamori who practices his torturous craft on him the police and ccg move in to deal with aogiri tree who have made an

tokyo ghoul volume 11 free download borrow and streaming - Jul 07 2022

web jan 22 2015 tokyo ghoul volume 11 topics tg collection opensource media language danish tgo addeddate 2015 01 22

21 06 52 identifier tokyoghoulvolume11 14141 142 143end identifier ark ark 13960 t0zp77b7s scanner internet archive
html5 uploader 1 6 1 plus circle add review comment reviews

watch the latest tokyo ghoul episode 11 online with english - Jun 18 2023

web lurking in the crowd hunting humans this ghoul that devours corpses people call it the ghoul when the youth and the eccentric meet the gears of fate full of twists and turns begin to turn watch the latest anime japanese anime tokyo ghoul episode 11 online with english subtitle for free on iqiyi iq com

tokyo ghoul myanimelist net - Nov 11 2022

web a sinister threat is invading tokyo flesh eating ghouls who appear identical to humans and blend into their population reserved college student ken kaneki buries his nose in books and avoids the news of the growing crisis however the appearance of an attractive woman named rize kamishiro shatters his solitude when she forwardly asks him on a

□□□□□□□□□□ **11 tokyo guru 11 goodreads** - May 05 2022

web apr 18 2014 sui ishida □□□□ ishida sui born december 28 fukuoka prefecture japan is a japanese manga artist in 2010 he won the young jump 113th grand prix award with tokyo ghoul □□□□ tōkyō kushu in march 2011 the same oneshot was published in the 2nd issue of miracle jump

tokyo ghoul wiki fandom - Sep 09 2022

web strange murders are happening in tokyo due to liquid evidence at the scene the police conclude the attacks are the results of eater type ghouls college buddies kaneki and hide come up with the idea that ghouls are imitating humans so

tokyo ghoul watch on funimation - Jan 13 2023

web action adventure drama fantasy horror dub sub 4 seasons two years after the raid on anteiku the ccg selects young haise sasaki to lead an unruly team of humans infused with ghoul powers start watching

tokyo ghoul vol 11 11 amazon com - Jun 06 2022

web feb 21 2017 tokyo ghoul vol 11 11 paperback february 21 2017 ghouls live among us the same as normal people in every way except their craving for human flesh ghouls live among us the same as normal people in every way except their craving for human flesh ken kaneki is an ordinary college student until a violent encounter turns

animeheaven - Oct 10 2022

web we would like to show you a description here but the site won t allow us

tokyo ghoul episode 11 yugenanime - Oct 22 2023

web views release time is estimated tokyo has become a cruel and merciless city a place where vicious creatures called ghouls exist alongside humans the citizens of this once great metropolis live in constant fear of these bloodthirsty savages

episode 11 tokyo ghoul wiki fandom - Jul 19 2023

web high spirits 高霊 shōten is the eleventh episode of the anime tokyo ghouls ken kaneki shuu tsukiyama yoshimura touka kirishima nishiki nishio hinami fueguchi renji yomo

[tokyo ghouls wikipedia](#) - Apr 16 2023

web plot the story follows ken kaneki a student who barely survives a deadly encounter with rize kamishiro his date who reveals herself as a ghoul and tries to eat him when she gets hit by falling construction girders he is taken to the hospital in critical condition

[viz read a free preview of tokyo ghouls vol 11](#) - Dec 12 2022

web tokyo ghouls vol 11 paperback digital actual prices may vary 128 amid clashes between ghouls and the commission of counter ghoul investigators at doctor kano's underground facility kaneki finds himself locked in battle with special class ghoul investigator yukinori shinohara

watch tokyo ghouls episode 11 online high spirits anime planet - Aug 20 2023

web watch tokyo ghouls episode 11 online at anime planet keneki is held captive by yamori who practices his torturous craft on him the police and ccg move in to deal with aogiri tree who have made an 11th ward shopping mall their headquarters

[re episode 11 tokyo ghouls wiki fandom](#) - Mar 03 2022

web fantasy horror the absent one write 高霊 write ketsurakusha write is the eleventh episode of the anime tokyo ghouls re matsuri washuu noro eto yoshimura shiki kijima nimura furuta kurei mirumo tsukiyama mentioned tooru mutsuki kuki urie saiko yonebayashi ginshi shirazu haise sasaki shuu tsukiyama matsumae

[volume 11 tokyo ghouls wiki fandom](#) - Aug 08 2022

web horror the eleventh volume of the manga tokyo ghouls ken kaneki kurona yasuhisa nashiro yasuhisa nashiro yasuhisa kurona yasuhisa chapter 101 mix up chapter 102 black and white chapter 103 thorn shave chapter 104 gas chapter 105 me and me chapter 106 amnesty chapter 107 rift chapter 108

[tokyo ghouls english dub high spirits watch on crunchyroll](#) - Feb 14 2023

web released on mar 1 2022 1 2k 14 kaneki is held captive by yamori who practices his torturous craft on him the police and ccg move in to deal with aogiri tree who have made an 11th ward shopping

11th ward tokyo ghouls wiki fandom - Apr 04 2022

web the 11th ward is the Ōta ward in tokyo seven months before the steel frame accident rize kamishiro lived in this ward her activities made the ghoul investigators move in this ward she decided to leave when the ghoul investigators started to act before she left she killed hagi the leader of the ghouls of the ward and two other ghouls 1

[guide du mariage 2005 pdf data veritas edu ng](#) - Apr 30 2022

web guide du mariage 2005 pdf 1 1 downloaded from data veritas edu ng on july 1 2023 by guest

[guide du mariage 2005 le petit fute thematiques auzias al](#) - Jun 13 2023

web jan 20 2005 [guide du mariage 2005 le petit fute thematiques auzias al dominique on amazon com free shipping on qualifying offers](#) [guide du mariage 2005 le petit fute thematiques](#)

[mariage mode d emploi tv film 2005 allociné](#) - Jun 01 2022

web mariage mode d emploi tv est un film réalisé par annette ernst avec annette ernst benjamin sadler synopsis uli et pia ont toujours fait passer leur carrière d avocat spécialisé dans le

[guide du mariage abebooks](#) - Jan 08 2023

web le guide du mariage by barakat nuq maya and a great selection of related books art and collectibles available now at abebooks com

[guide du mariage 2005 le petit fute edition 2005 cultura](#) - Aug 15 2023

web guide du mariage 2005 le petit fute edition 2005 par collectif petit futé aux éditions le petit fute propose des conseils pour préparer la cérémonie du mariage faire part liste de cadeaux robe de mariée réception cérémonie religieuse voyage de noces

[le guide du mariage pratique amazon com tr](#) - Nov 06 2022

web le guide du mariage pratique barakat nuq maya amazon com tr kitap Çerez tercihlerinizi seçin Çerez bildirimimizde ayrıntılı şekilde açıklandığı üzere alışveriş yapmanızı sağlamak alışveriş deneyiminizi iyileştirmek ve hizmetlerimizi sunmak için gerekli olan çerezleri ve benzer araçları kullanırız

[le guide de votre mariage edition 2005 broché maya nuq](#) - Feb 09 2023

web edition 2005 le guide de votre mariage maya nuq barakat first des milliers de livres avec la livraison chez vous en 1 jour ou en magasin avec 5 de réduction le guide de votre mariage edition 2005 broché maya nuq barakat achat livre fnac

[le guide du mariage goupil 9782749300177](#) - Feb 26 2022

web jun 10 2002 adapté du best seller de pierre antilogus et jean louis festjens ce manuel humoristique vous explique tout ce qu il faut savoir pour que la vie à deux soit merveilleuse un guide indispensable dans toutes les listes de mariage

le guide du mariage godard goupil jacky amazon fr - Oct 05 2022

web noté 5 retrouvez le guide du mariage et des millions de livres en stock sur amazon fr achetez neuf ou d occasion

guide du mariage 2005 le petit fute fnac - Jul 14 2023

web edition 2005 guide du mariage 2005 le petit fute auzias al dominique petit futé des milliers de livres avec la livraison chez vous en 1 jour ou en magasin avec 5 de réduction guide du mariage 2005 le petit fute edition 2005 broché auzias al dominique

[a guide for the married man dvd 2005 for sale online ebay](#) - Dec 27 2021

web brand new lowest price 40 72 4 20 shipping was 47 90 save 15 get it by wed dec 28 tue jan 3 from gloucester virginia brand new condition 30 day returns buyer pays return shipping a guide for the married man dvd title a guide for the married man dvd

guide du mariage 2005 collectif amazon ca books - Dec 07 2022

web guide du mariage 2005 collectif amazon ca books skip to main content ca hello select your address books hello sign in account lists returns orders cart all best sellers deals

hausse des mariages et des divorces en turquie en 2021 - Sep 04 2022

web feb 28 2022 l institut turc des statistiques tÜik a partagé ses données sur les taux de mariages et de divorces en 2021 tous deux en hausse par rapport à l année précédente alors que le nombre

guide du mariage 2005 le paperback feb 2 2005 - May 12 2023

web guide du mariage 2005 le nuq barakat maya amazon ca books skip to main content ca hello select your address books hello sign in account lists returns orders cart all best sellers

le guide du mari idéal le devoir - Aug 03 2022

web aug 9 2021 c est une voix qui questionne ce qu est le mariage avec une remise en question de l hétérocentrisme explique celle qui a elle même déjà goûté au mariage mais aussi au divorce

le guide de votre mariage edition 2005 broché fnac - Mar 10 2023

web edition 2005 le guide de votre mariage maya nuq barakat first des milliers de livres avec la livraison chez vous en 1 jour ou en magasin avec 5 de réduction le guide de votre mariage edition 2005 broché maya nuq barakat achat livre fnac

guide du mariage 2005 amazon - Jul 02 2022

web amazon guide du mariage 2005 guide du mariage 2005 guide du mariage 2005

guide du mariage 2005 uniport edu ng - Jan 28 2022

web guide du mariage 2005 1 1 downloaded from uniport edu ng on july 29 2023 by guest guide du mariage 2005 thank you certainly much for downloading guide du mariage 2005 most likely you have knowledge that people have look numerous times for their favorite books as soon as this guide du mariage 2005 but stop occurring in

le guide du mariage label emmaüs - Mar 30 2022

web des fiançailles jusqu à la lune de miel il est indispensable de préparer avec soin chaque étape du mariage pour qu il

guide du mariage 2005 le petit fute amazon com au - Apr 11 2023

web guide du mariage 2005 le petit fute auzias al dominique amazon com au books