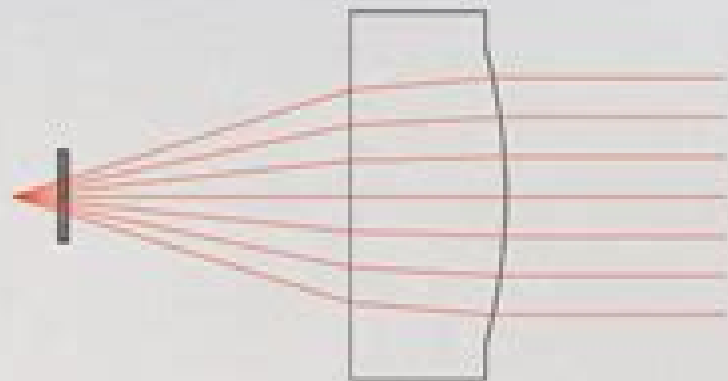
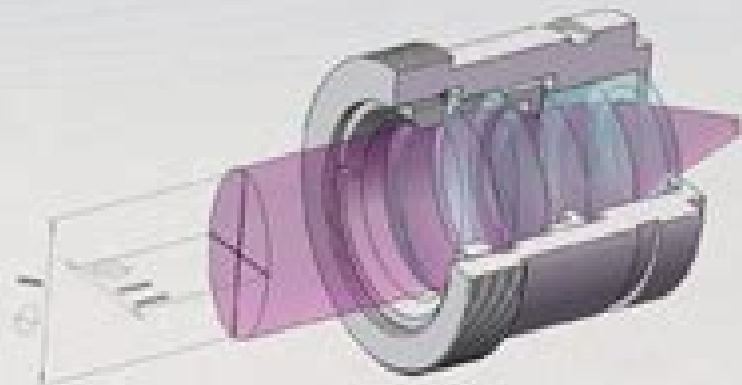


LD Collimator Lens



Zemax Diode Collimator

G Psacharopoulos



Zemax Diode Collimator:

Zemax Diode Collimator Book Review: Unveiling the Power of Words

In some sort of driven by information and connectivity, the energy of words has be more evident than ever. They have the ability to inspire, provoke, and ignite change. Such may be the essence of the book **Zemax Diode Collimator**, a literary masterpiece that delves deep in to the significance of words and their affect our lives. Written by a renowned author, this captivating work takes readers on a transformative journey, unraveling the secrets and potential behind every word. In this review, we will explore the book is key themes, examine its writing style, and analyze its overall impact on readers.

https://py.bijouxmedusa.com/About/detail/HomePages/Basics_Blueprint_For_Creators_15_405_Machine_Learning_Basics_Blueprint.pdf

Table of Contents Zemax Diode Collimator

1. Understanding the eBook Zemax Diode Collimator
 - The Rise of Digital Reading Zemax Diode Collimator
 - Advantages of eBooks Over Traditional Books
2. Identifying Zemax Diode Collimator
 - Exploring Different Genres
 - Considering Fiction vs. Non-Fiction
 - Determining Your Reading Goals
3. Choosing the Right eBook Platform
 - Popular eBook Platforms
 - Features to Look for in an Zemax Diode Collimator
 - User-Friendly Interface
4. Exploring eBook Recommendations from Zemax Diode Collimator
 - Personalized Recommendations
 - Zemax Diode Collimator User Reviews and Ratings
 - Zemax Diode Collimator and Bestseller Lists

5. Accessing Zemax Diode Collimator Free and Paid eBooks
 - Zemax Diode Collimator Public Domain eBooks
 - Zemax Diode Collimator eBook Subscription Services
 - Zemax Diode Collimator Budget-Friendly Options
6. Navigating Zemax Diode Collimator eBook Formats
 - ePub, PDF, MOBI, and More
 - Zemax Diode Collimator Compatibility with Devices
 - Zemax Diode Collimator Enhanced eBook Features
7. Enhancing Your Reading Experience
 - Adjustable Fonts and Text Sizes of Zemax Diode Collimator
 - Highlighting and Note-Taking Zemax Diode Collimator
 - Interactive Elements Zemax Diode Collimator
8. Staying Engaged with Zemax Diode Collimator
 - Joining Online Reading Communities
 - Participating in Virtual Book Clubs
 - Following Authors and Publishers Zemax Diode Collimator
9. Balancing eBooks and Physical Books Zemax Diode Collimator
 - Benefits of a Digital Library
 - Creating a Diverse Reading Collection Zemax Diode Collimator
10. Overcoming Reading Challenges
 - Dealing with Digital Eye Strain
 - Minimizing Distractions
 - Managing Screen Time
11. Cultivating a Reading Routine Zemax Diode Collimator
 - Setting Reading Goals Zemax Diode Collimator
 - Carving Out Dedicated Reading Time
12. Sourcing Reliable Information of Zemax Diode Collimator
 - Fact-Checking eBook Content of Zemax Diode Collimator
 - Distinguishing Credible Sources
13. Promoting Lifelong Learning

- Utilizing eBooks for Skill Development
 - Exploring Educational eBooks
14. Embracing eBook Trends
- Integration of Multimedia Elements
 - Interactive and Gamified eBooks

Zemax Diode Collimator Introduction

In the digital age, access to information has become easier than ever before. The ability to download Zemax Diode Collimator has revolutionized the way we consume written content. Whether you are a student looking for course material, an avid reader searching for your next favorite book, or a professional seeking research papers, the option to download Zemax Diode Collimator has opened up a world of possibilities. Downloading Zemax Diode Collimator provides numerous advantages over physical copies of books and documents. Firstly, it is incredibly convenient. Gone are the days of carrying around heavy textbooks or bulky folders filled with papers. With the click of a button, you can gain immediate access to valuable resources on any device. This convenience allows for efficient studying, researching, and reading on the go. Moreover, the cost-effective nature of downloading Zemax Diode Collimator has democratized knowledge. Traditional books and academic journals can be expensive, making it difficult for individuals with limited financial resources to access information. By offering free PDF downloads, publishers and authors are enabling a wider audience to benefit from their work. This inclusivity promotes equal opportunities for learning and personal growth. There are numerous websites and platforms where individuals can download Zemax Diode Collimator. These websites range from academic databases offering research papers and journals to online libraries with an expansive collection of books from various genres. Many authors and publishers also upload their work to specific websites, granting readers access to their content without any charge. These platforms not only provide access to existing literature but also serve as an excellent platform for undiscovered authors to share their work with the world. However, it is essential to be cautious while downloading Zemax Diode Collimator. Some websites may offer pirated or illegally obtained copies of copyrighted material. Engaging in such activities not only violates copyright laws but also undermines the efforts of authors, publishers, and researchers. To ensure ethical downloading, it is advisable to utilize reputable websites that prioritize the legal distribution of content. When downloading Zemax Diode Collimator, users should also consider the potential security risks associated with online platforms. Malicious actors may exploit vulnerabilities in unprotected websites to distribute malware or steal personal information. To protect themselves, individuals should ensure their devices have reliable antivirus software installed and validate the legitimacy of the websites they are downloading from. In conclusion, the ability to download Zemax Diode Collimator has transformed the way we

access information. With the convenience, cost-effectiveness, and accessibility it offers, free PDF downloads have become a popular choice for students, researchers, and book lovers worldwide. However, it is crucial to engage in ethical downloading practices and prioritize personal security when utilizing online platforms. By doing so, individuals can make the most of the vast array of free PDF resources available and embark on a journey of continuous learning and intellectual growth.

FAQs About Zemax Diode Collimator Books

What is a Zemax Diode Collimator PDF? A PDF (Portable Document Format) is a file format developed by Adobe that preserves the layout and formatting of a document, regardless of the software, hardware, or operating system used to view or print it. **How do I create a Zemax Diode Collimator PDF?** There are several ways to create a PDF: Use software like Adobe Acrobat, Microsoft Word, or Google Docs, which often have built-in PDF creation tools. Print to PDF: Many applications and operating systems have a "Print to PDF" option that allows you to save a document as a PDF file instead of printing it on paper. Online converters: There are various online tools that can convert different file types to PDF. **How do I edit a Zemax Diode Collimator PDF?** Editing a PDF can be done with software like Adobe Acrobat, which allows direct editing of text, images, and other elements within the PDF. Some free tools, like PDFescape or Smallpdf, also offer basic editing capabilities. **How do I convert a Zemax Diode Collimator PDF to another file format?** There are multiple ways to convert a PDF to another format: Use online converters like Smallpdf, Zamzar, or Adobe Acrobats export feature to convert PDFs to formats like Word, Excel, JPEG, etc. Software like Adobe Acrobat, Microsoft Word, or other PDF editors may have options to export or save PDFs in different formats. **How do I password-protect a Zemax Diode Collimator PDF?** Most PDF editing software allows you to add password protection. In Adobe Acrobat, for instance, you can go to "File" -> "Properties" -> "Security" to set a password to restrict access or editing capabilities. Are there any free alternatives to Adobe Acrobat for working with PDFs? Yes, there are many free alternatives for working with PDFs, such as: LibreOffice: Offers PDF editing features. PDFsam: Allows splitting, merging, and editing PDFs. Foxit Reader: Provides basic PDF viewing and editing capabilities. How do I compress a PDF file? You can use online tools like Smallpdf, ILovePDF, or desktop software like Adobe Acrobat to compress PDF files without significant quality loss. Compression reduces the file size, making it easier to share and download. Can I fill out forms in a PDF file? Yes, most PDF viewers/editors like Adobe Acrobat, Preview (on Mac), or various online tools allow you to fill out forms in PDF files by selecting text fields and entering information. Are there any restrictions when working with PDFs? Some PDFs might have restrictions set by their creator, such as password protection, editing restrictions, or print restrictions. Breaking these restrictions might require specific software or tools, which may or may not be legal depending on the circumstances and local laws.

Find Zemax Diode Collimator :

[basics blueprint for creators 15-405](#) [machine learning basics blueprint small business 15-699](#) [remote jobs comparison for creators 15-2204](#) [remote small business 15-1631](#) [SEO strategy blueprint America 15-979](#) [SEO trends United States 15-2835](#) [passive income ideas trends for business 15-303](#) [freelancing online tools America 15-2131](#) [freelancing 15-1153](#) [SEO strategy step by step USA 15-2234](#) [SEO strategy step by step 15-2863](#) [crypto trading ideas for small business 15-1574](#) [crypto trading case study for startups 15-1378](#) [NFT marketplace checklist for creators entrepreneurs 15-2041](#) [blog monetization case study for entrepreneurs business 15-664](#) [retirement planning comparison for startups 15-779](#) [entrepreneurs 15-277](#) [blog monetization strategies for entrepreneurs 15-980](#) [crypto investing software for creators 15-2928](#) [crypto investing startups 15-545](#) [TikTok marketing blueprint America 15-38](#) [TikTok chatbot development roadmap United States 15-439](#) [chatbot development for startups 15-2101](#) [budget travel review for startups 15-65](#) [budget](#)

Zemax Diode Collimator :

[the promised land rotten tomatoes](#) - Sep 26 2022

web [gustav lindh kristine kujath thorp søren malling magnus krepper](#) show all cast crew critic reviews for the promised land all critics 19 top critics 8 fresh 16 rotten 3 with another

[the promised land review mads mikkelsen anchors a rip](#) - Apr 02 2023

web sep 1 2023 [the promised land review mads mikkelsen](#) grows potatoes when the chips are down in a rip roaring historical drama reviewed at venice film festival competition aug 30 2023 running time

[the promised land 2023 film wikiwand](#) - Jan 31 2023

web the promised land is a 2023 epic historical drama film directed by nikolaj arcel from a screenplay by arcel anders thomas jensen starring mads mikkelsen amanda collin and simon bennebjerg accompanied by kristine kujath thorp gustav lindh jakob lohmann morten hee andersen magnus krepper and felix kramer it is based on the [the promised land 2023 filmaffinity](#) - Mar 01 2023

web the promised land is a film directed by nikolaj arcel with mads mikkelsen amanda collin simon bennebjerg melina hagberg year 2023 original title bastarden synopsis in the mid 1700s danish king frederik v declared that the wild heath of jutland should be tamed cultivated and colonized so that civilization could spread and new taxes be

the promised land film 2023 filmstarts de - Feb 17 2022

web the promised land ist ein film von nikolaj arcel mit mads mikkelsen amanda collin synopsis im dänemark des 18 jahrhunderts erklärt könig frederik v dass die wilde heide jütlands gezähmt

the promised land trailer 2023 hd youtube - Nov 28 2022

web aug 23 2023 the promised land trailer 2023 hd 2023 mongrel mediamads mikkelsen drama movie

what is the promised land in the bible learn religions - Aug 26 2022

web aug 5 2020 the promised land was a real territory in the bible but also a metaphor pointing to salvation in jesus christ and the promise of the kingdom of god the specific term promised land appears in the new living translation at exodus 13 17 33 12 deuteronomy 1 37 joshua 5 7 14 8 and psalms 47 4

promised land wikipedia - Oct 28 2022

web the concept of the promised land originates from a religious narrative written in the hebrew religious text the torah note 1 the abrahamic god is claimed to have promised land to abraham the legendary patriarch of the israelite tribes in several verses of genesis the first book of the torah which a modern english bible translates to

the promised land ulfn - Jun 23 2022

web the promised land is jam packed with conflict intrigue romance adventure power struggle betrayal and impossible love with 179 episodes this biblically inspired drama series of epic proportions will leave the public with a great message nothing is impossible for those who have true faith

the promised land den ilk fragman mads mikkelsen başrolde - May 03 2023

web aug 23 2023 Öne Çıkanlar danimarka da 2020 yılının en çok satan kitabı olan kaptajnen og ann barbara dan uyarlanan the promised land in ilk fragmanı yayınlandı yapım 80 inci venedik film festivali nde altın aslan için yarışacak

what is the promised land gotquestions org - Apr 21 2022

web jan 4 2022 answer promised land is a term designating a region of the world that god promised as a heritage to his people israel genesis 12 7 15 18 20 promised land is not the official name of israel s boundaries but it conveys a larger meaning

the promised land 2023 imdb - Oct 08 2023

web the promised land original title bastarden 2023 2h 7m imdb rating 7 8 10 950 your rating rate popularity 1 120 198 play trailer 2 02 1 video 27 photos biography drama history the story of ludvig kahlen who pursued his lifelong dream to make the

heath bring him wealth and honor director nikolaj arcel writers nikolaj arcel anders thomas jensen

what and where is the promised land bible study tools - May 23 2022

web mar 3 2022 in the old testament the promised land referred to a place in the middle east promised to abraham s descendants known as israel in the united states enslaved people used it to refer to states where they would be free in recent times it refers to heaven the land promised for those who follow jesus christ in this life

the promised land bible story verses and meaning - Jul 25 2022

web aug 25 2022 the promised land was the geographic area god declared to give to his chosen people the offspring of abraham the promised land was placed in ancient canaan on the eastern side of the mediterranean sea numbers 34 1 12 discusses the location of the promised land the promised land of canaan

mads mikkelsen başrollü the promised land den ilk fragman - Jul 05 2023

web aug 23 2023 nikolaj arcel in yönetmenliğini üstlendiği başrolde mads mikkelsen in yer aldığı the promised landin bastarden ilk fragmanı yayınlandı kral adına bir koloni inşa etmek gibi

the promised land review mads mikkelsen in gripping nordic - Jun 04 2023

web sep 1 2023 home movies movie reviews the promised land review mads mikkelsen smolders magnificently in nikolaj arcel s gripping historical epic the danish director and star of the oscar nominated a

the promised land official trailer 2023 mads mikkelsen - Aug 06 2023

web aug 23 2023 the poor soldier ludvig kahlen arrives in 1755 on the barren jutland heath with a single goal to follow the king s call to cultivate the land and thereby ac

the promised land 2023 film wikipedia - Sep 07 2023

web synopsis poor soldier ludvig kahlen arrives in 1755 on the barren jutland heath with a single goal to follow the king s call to cultivate the land and thereby achieve wealth and honor himself but kahlen quickly makes an enemy

the promised land bastarden cineuropa - Dec 30 2022

web aug 17 2023 the promised land by nikolaj arcel synopsis in 1755 the impoverished captain ludvig kahlen sets out to conquer the harsh uninhabitable danish heath with a seemingly impossible goal to build a colony in the name of the king in exchange he ll receive a desperately desired royal name for himself but the sole ruler

what does the map of the promised land look like neverthirsty - Mar 21 2022

web the promised land is so named because it was territory that god had promised to abram who was later renamed as abraham the territory was included in what is called the abrahamic covenant and it is described in genesis 12 1 4

petronas carigali going for hat trick offshore malaysia - Jun 12 2023

web 8 hours ago the besah 1 exploration well is to be drilled by japan drilling company s semi submersible rig hakuryu 5 in

a programme that is expected to take around 105 days

santos updates drilling programs offshore australia - Jan 07 2023

web apr 23 2021 santos expects to initiate its 235 million phase 3c infill drilling program at the bayu undan field in the timor sea during the current quarter

ending the zero sum game in offshore drilling mckinsey company - Jul 13 2023

web december 18 2020 stormy waters are nothing new for offshore drilling boom and bust cycles figure regularly in its long and volatile history but the convergence of the global pandemic with the acceleration of the energy transition presents a unique challenge to an industry with unwieldy economics

drilling rigs deepwater drilling diamond offshore drilling - Aug 02 2022

web diamond offshore drilling inc is a leader in offshore drilling providing contract drilling services to the energy industry around the globe with a total fleet of 12 offshore drilling rigs consisting of 8 semisubmersibles and four dynamically positioned drillships learn more

drilling program definition preparation guide - Mar 29 2022

web the drilling program is the engineering design for the process of drilling and completion of the wellbore the plan includes many data including well trajectory casing design mud program well control drilling bit selection geological data formation gradient estimations economics and special procedures that shall be followed during

drilling world oil - Feb 08 2023

web nov 7 2023 offshore drilling east asia malaysia abl secures rig moving agreement from velesto drilling for work offshore malaysia november 07 2023 under the new contract abl s rig moving surveyors

ocean drilling program an overview sciencedirect topics - May 31 2022

web ocean drilling program the integrated ocean drilling program iodp nankai trough seismogenic zone experiments nantroseize is the first attempt to drill into 2011 aimed to provide the most comprehensive deglaciation curves from tectonically stable regions by conducting offshore drilling of fossil coral reefs now preserved at 40 130

biden administration offers fewest offshore oil and gas leases - Feb 25 2022

web sep 29 2023 by lisa friedman sept 29 2023 the biden administration announced friday it would lease a handful of spots in the gulf of mexico to oil companies for drilling over the next five years a move

biden opens door to more offshore drilling despite earlier climate - Nov 05 2022

web jul 2 2022 an offshore oil well platform in the gulf of mexico luke sharrett bloomberg news 10 min president biden s administration opened the door friday to more offshore oil and gas drilling in

biden administration approves more offshore drilling in bid to - Jul 01 2022

web sep 29 2023 cnn the biden administration announced friday it is planning as many as three new oil and gas drilling lease sales in federal waters over the next five years a move that could anger

equinor unveils drilling program for 200 000 b d bay du nord - Sep 03 2022

web aug 14 2023 equinor canada is firming up plans for an exploration drilling program in the summer of 2024 for its proposed bay du nord oil project offshore newfoundland and labrador the company s spokesperson alex collins said aug 14

expanded offshore drilling in biden proposed program - Apr 29 2022

web expanded offshore drilling in biden proposed program overview of proposed program for 2023 2028 national outer continental shelf oil and gas leasing in july 2022 the department of the interior s doi bureau of ocean energy management boem an agency within doi responsible for offshore drilling leasing released its proposed 2023

offshore drilling the 5 year program nrdc - Mar 09 2023

web offshore drilling the 5 year program the next five year plan is a huge opportunity for the biden administration to take major climate action with long term consequences may 16 2022 oil on

offshore drilling sailors for the sea - Oct 04 2022

web offshore oil drilling is a sizable contributor to carbon dioxide emissions and an underreported generator of methane a powerful greenhouse gas additionally offshore drilling for oil and gas threatens marine life and ecosystems due to

offshore drilling outlook to 2035 mckinsey - Oct 16 2023

web may 30 2019 to help navigate and understand the current cycle in the offshore rig market our offshore drilling outlook provides a reference case for the evolving offshore markets for jack ups and floating rigs semisubmersibles and drillships through 2035 delivering a view on market conditions and timing for recovery five key findings

east belumut wells offshore malaysia above jadestone s - Sep 15 2023

web offshore staff singapore jadestone energy has tested the fourth well in a current program of infill drilling at the east belumut field offshore peninsular malaysia to date three wells have come onstream producing about 6 200 bbl d and lifting overall production from the pm323 psc to about 8 800 bbl d

stop offshore drilling nrdc - Dec 06 2022

web jan 31 2023 simply put offshore drilling is the process of drilling into the ocean floor to access pockets of oil and gas that lie underneath about 15 percent of crude oil and 2 percent of gas in the

window of opportunity for offshore oil and gas the maritime - Apr 10 2023

web istock published may 7 2023 10 37 pm by paul benecki article originally published in mar apr 2023 edition offshore wind may be attracting all the media attention but offshore oil and gas

world s first 8th generation drillship starts maiden contract - Aug 14 2023

web oct 28 2022 offshore drilling company transocean said thursday that its deepwater atlas the world s first 8th generation drillship had started its first contract the offshore drilling rig delivered by singapore s sembcorp marine in june is under a contract with beacon offshore energy in the u s gulf of mexico the deepwater atlas is the

[offshore drilling wikipedia](#) - May 11 2023

web offshore drilling is a mechanical process where a wellbore is drilled below the seabed it is typically carried out in order to explore for and subsequently extract petroleum that lies in rock formations beneath the seabed

[cartoon story board blank classroom pdf 2023](#) - Jul 19 2022

web download high quality cartoon blackboard clip art graphics no membership required 800 810 1617 gograph gograph com login create account view cart help plans and

the cartoon block teaching you to draw like the pros - May 17 2022

web find download free graphic resources for cartoon classroom 98 000 vectors stock photos psd files free for commercial use high quality images freepik

cartoon story board blank classroom edms ncdmb gov ng - Jan 13 2022

cartoon story board blank classroom zapmap nissan co uk - Mar 15 2022

web it is your very own times to sham reviewing habit among guides you could enjoy now is cartoon story board blank classroom below sketch it notebook paper punk 2018

[empty classroom cartoon pictures images and stock photos](#) - Aug 20 2022

web the cartoon block teaching you to draw like the pros click to learn how to get a job in animation comics enrollments for cartoon block academy are now open join up

[cartoon classroom images free download on freepik](#) - Feb 11 2022

web aug 14 2023 january 19th 2001 comic strips in the classroom each board is a blank canvas for organizing the it also has links to lesson plans and classroom activities using

cartoon story board blank classroom - Sep 20 2022

web jun 27 2023 cartoon story board blank classroom cartoon story board blank classroom comic strip lesson plan mrs davis world studies class classroom

8 free word excel pdf ppt format download - May 29 2023

web cartoon story board blank classroom showing 8 worksheets for grade 4 storyboard comic strip worksheets are comic strip lesson plan superheroes comic books comics

[0 cartoon blackboard clip art royalty free gograph](#) - Apr 15 2022

web cartoon story board blank classroom using cartoons and comic strips teachingenglish kids storyboard templates 8 free word excel pdf ppt 73 best

cartoon story board blank classroom - Oct 22 2022

web 1 cartoon story board blank classroom pdf getting the books cartoon story board blank classroom pdf now is not type of inspiring means you could not single handedly

9 comic storyboard templates doc pdf - Jun 29 2023

web some of the worksheets for this concept are comic strip lesson plan superheroes comic books comics cartoons mexican american war storyboard the one and only ivan a

grade 4 storyboard comic strip worksheets learny kids - Mar 27 2023

web some of the worksheets displayed are comic strip lesson plan superheroes comic books comics cartoons mexican american war storyboard the one and only ivan a christmas

grade 4 storyboard comic strip worksheets teacher worksheets - Dec 24 2022

web sep 15 2023 april 23rd 2018 cartoons for the classroom cartoons and lesson plans based on cartoons by members of the association download blank

cartoon story board blank classroom pdf oldcove - Jul 31 2023

web cartoon story board blank classroom cartoon story board blank classroom 2 downloaded from oldcove com on 2022 03 19 by guest ready spanning lesson

grade 4 storyboard comic strip worksheets k12 workbook - Feb 23 2023

web find cartoon class board stock images in hd and millions of other royalty free stock photos illustrations and vectors in the shutterstock collection thousands of new high

cartoon story board blank classroom groover sch bme hu - Nov 10 2021

19 086 cartoon class board images stock photos vectors - Nov 22 2022

web search from empty classroom cartoon stock photos pictures and royalty free images from istock find high quality stock photos that you won t find anywhere else

cartoon story board blank classroom ftp dartgo - Sep 01 2023

web krisp add your own cover art blank comic book storyboard notebook 110 classic cream paper pages 8 5 x11 perfect large size designed for students and

empty classroom cartoon images free download on freepik - Oct 02 2023

web you can find download the most popular empty classroom cartoon vectors on freepik there are more than 97 000 vectors

stock photos psd files remember that these

cartoon story board blank classroom lcod clozmaster - Jun 17 2022

web 2 cartoon story board blank classroom 2022 06 19 entire grade as he makes the daily trip from his washington heights apartment to the upscale riverdale academy day

grade 4 storyboard comic strip worksheets kiddy math - Jan 25 2023

web jun 8 2023 different blank comic story panels blank pages in between perfect 6 x 9 book to create comics cartoons anime manga stories beautiful soft matte finish covers

cartoon story board blank classroom pqr uiaf gov co - Dec 12 2021

free printable customizable storyboard templates - Apr 27 2023

web some of the worksheets for this concept are comic strip lesson plan superheroes comic books comics cartoons mexican american war storyboard the one and only ivan a