

1. A 4x12 S4S Douglas fir beam is loaded and supported as shown in Figure 1.

- Calculate the maximum flexural stress developed in the beam.
- You decide to vary the cross-section of the beam with the three options in Figure 2. Determine which cross-section would have the least flexural stress: (a), (b), or (c).

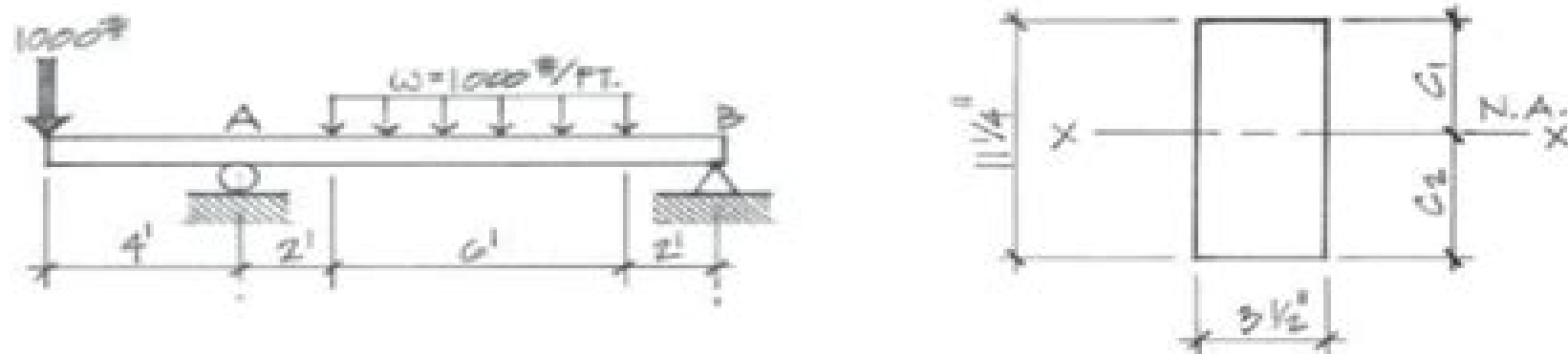
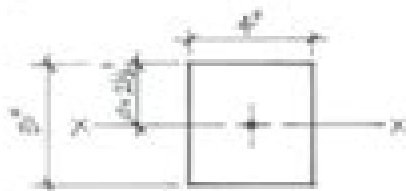


Figure 1: Structure for Problem 1.

(a) Flank:



(b) Rectangular beam:



(c) I-beam:

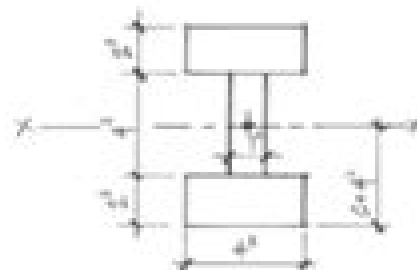


Figure 2: Structure for Problem 1b.

# Structural Engineering Problems And Solutions

**D Kirk**



## **Structural Engineering Problems And Solutions:**

If you ally habit such a referred **Structural Engineering Problems And Solutions** books that will give you worth, acquire the enormously best seller from us currently from several preferred authors. If you want to funny books, lots of novels, tale, jokes, and more fictions collections are in addition to launched, from best seller to one of the most current released.

You may not be perplexed to enjoy all books collections Structural Engineering Problems And Solutions that we will definitely offer. It is not a propos the costs. Its virtually what you infatuation currently. This Structural Engineering Problems And Solutions, as one of the most enthusiastic sellers here will categorically be in the midst of the best options to review.

[https://py.bijouxmedusa.com/results/book-search/Download\\_PDFS/Ammavai\\_Otha\\_Karuppan\\_Tamil\\_I9xihomeinburgundy.pdf](https://py.bijouxmedusa.com/results/book-search/Download_PDFS/Ammavai_Otha_Karuppan_Tamil_I9xihomeinburgundy.pdf)

## **Table of Contents Structural Engineering Problems And Solutions**

1. Understanding the eBook Structural Engineering Problems And Solutions
  - The Rise of Digital Reading Structural Engineering Problems And Solutions
  - Advantages of eBooks Over Traditional Books
2. Identifying Structural Engineering Problems And Solutions
  - Exploring Different Genres
  - Considering Fiction vs. Non-Fiction
  - Determining Your Reading Goals
3. Choosing the Right eBook Platform
  - Popular eBook Platforms
  - Features to Look for in an Structural Engineering Problems And Solutions
  - User-Friendly Interface
4. Exploring eBook Recommendations from Structural Engineering Problems And Solutions
  - Personalized Recommendations
  - Structural Engineering Problems And Solutions User Reviews and Ratings
  - Structural Engineering Problems And Solutions and Bestseller Lists
5. Accessing Structural Engineering Problems And Solutions Free and Paid eBooks

- Structural Engineering Problems And Solutions Public Domain eBooks
  - Structural Engineering Problems And Solutions eBook Subscription Services
  - Structural Engineering Problems And Solutions Budget-Friendly Options
6. Navigating Structural Engineering Problems And Solutions eBook Formats
    - ePub, PDF, MOBI, and More
    - Structural Engineering Problems And Solutions Compatibility with Devices
    - Structural Engineering Problems And Solutions Enhanced eBook Features
  7. Enhancing Your Reading Experience
    - Adjustable Fonts and Text Sizes of Structural Engineering Problems And Solutions
    - Highlighting and Note-Taking Structural Engineering Problems And Solutions
    - Interactive Elements Structural Engineering Problems And Solutions
  8. Staying Engaged with Structural Engineering Problems And Solutions
    - Joining Online Reading Communities
    - Participating in Virtual Book Clubs
    - Following Authors and Publishers Structural Engineering Problems And Solutions
  9. Balancing eBooks and Physical Books Structural Engineering Problems And Solutions
    - Benefits of a Digital Library
    - Creating a Diverse Reading Collection Structural Engineering Problems And Solutions
  10. Overcoming Reading Challenges
    - Dealing with Digital Eye Strain
    - Minimizing Distractions
    - Managing Screen Time
  11. Cultivating a Reading Routine Structural Engineering Problems And Solutions
    - Setting Reading Goals Structural Engineering Problems And Solutions
    - Carving Out Dedicated Reading Time
  12. Sourcing Reliable Information of Structural Engineering Problems And Solutions
    - Fact-Checking eBook Content of Structural Engineering Problems And Solutions
    - Distinguishing Credible Sources
  13. Promoting Lifelong Learning
    - Utilizing eBooks for Skill Development

- Exploring Educational eBooks
14. Embracing eBook Trends
- Integration of Multimedia Elements
  - Interactive and Gamified eBooks

### **Structural Engineering Problems And Solutions Introduction**

Structural Engineering Problems And Solutions Offers over 60,000 free eBooks, including many classics that are in the public domain. Open Library: Provides access to over 1 million free eBooks, including classic literature and contemporary works. Structural Engineering Problems And Solutions Offers a vast collection of books, some of which are available for free as PDF downloads, particularly older books in the public domain. Structural Engineering Problems And Solutions : This website hosts a vast collection of scientific articles, books, and textbooks. While it operates in a legal gray area due to copyright issues, its a popular resource for finding various publications. Internet Archive for Structural Engineering Problems And Solutions : Has an extensive collection of digital content, including books, articles, videos, and more. It has a massive library of free downloadable books. Free-eBooks Structural Engineering Problems And Solutions Offers a diverse range of free eBooks across various genres. Structural Engineering Problems And Solutions Focuses mainly on educational books, textbooks, and business books. It offers free PDF downloads for educational purposes. Structural Engineering Problems And Solutions Provides a large selection of free eBooks in different genres, which are available for download in various formats, including PDF. Finding specific Structural Engineering Problems And Solutions, especially related to Structural Engineering Problems And Solutions, might be challenging as theyre often artistic creations rather than practical blueprints. However, you can explore the following steps to search for or create your own Online Searches: Look for websites, forums, or blogs dedicated to Structural Engineering Problems And Solutions, Sometimes enthusiasts share their designs or concepts in PDF format. Books and Magazines Some Structural Engineering Problems And Solutions books or magazines might include. Look for these in online stores or libraries. Remember that while Structural Engineering Problems And Solutions, sharing copyrighted material without permission is not legal. Always ensure youre either creating your own or obtaining them from legitimate sources that allow sharing and downloading. Library Check if your local library offers eBook lending services. Many libraries have digital catalogs where you can borrow Structural Engineering Problems And Solutions eBooks for free, including popular titles. Online Retailers: Websites like Amazon, Google Books, or Apple Books often sell eBooks. Sometimes, authors or publishers offer promotions or free periods for certain books. Authors Website Occasionally, authors provide excerpts or short stories for free on their websites. While this might not be the Structural Engineering Problems And Solutions full book , it can give you a taste of the authors writing style. Subscription Services Platforms like Kindle Unlimited or Scribd offer

subscription-based access to a wide range of Structural Engineering Problems And Solutions eBooks, including some popular titles.

### **FAQs About Structural Engineering Problems And Solutions Books**

**What is a Structural Engineering Problems And Solutions PDF?** A PDF (Portable Document Format) is a file format developed by Adobe that preserves the layout and formatting of a document, regardless of the software, hardware, or operating system used to view or print it. **How do I create a Structural Engineering Problems And Solutions PDF?** There are several ways to create a PDF: Use software like Adobe Acrobat, Microsoft Word, or Google Docs, which often have built-in PDF creation tools. Print to PDF: Many applications and operating systems have a "Print to PDF" option that allows you to save a document as a PDF file instead of printing it on paper. Online converters: There are various online tools that can convert different file types to PDF. **How do I edit a Structural Engineering Problems And Solutions PDF?** Editing a PDF can be done with software like Adobe Acrobat, which allows direct editing of text, images, and other elements within the PDF. Some free tools, like PDFescape or Smallpdf, also offer basic editing capabilities. **How do I convert a Structural Engineering Problems And Solutions PDF to another file format?** There are multiple ways to convert a PDF to another format: Use online converters like Smallpdf, Zamzar, or Adobe Acrobats export feature to convert PDFs to formats like Word, Excel, JPEG, etc. Software like Adobe Acrobat, Microsoft Word, or other PDF editors may have options to export or save PDFs in different formats. **How do I password-protect a Structural Engineering Problems And Solutions PDF?** Most PDF editing software allows you to add password protection. In Adobe Acrobat, for instance, you can go to "File" -> "Properties" -> "Security" to set a password to restrict access or editing capabilities. Are there any free alternatives to Adobe Acrobat for working with PDFs? Yes, there are many free alternatives for working with PDFs, such as: LibreOffice: Offers PDF editing features. PDFsam: Allows splitting, merging, and editing PDFs. Foxit Reader: Provides basic PDF viewing and editing capabilities. **How do I compress a PDF file?** You can use online tools like Smallpdf, ILovePDF, or desktop software like Adobe Acrobat to compress PDF files without significant quality loss. Compression reduces the file size, making it easier to share and download. **Can I fill out forms in a PDF file?** Yes, most PDF viewers/editors like Adobe Acrobat, Preview (on Mac), or various online tools allow you to fill out forms in PDF files by selecting text fields and entering information. Are there any restrictions when working with PDFs? Some PDFs might have restrictions set by their creator, such as password protection, editing restrictions, or print restrictions. Breaking these restrictions might require specific software or tools, which may or may not be legal depending on the circumstances and local laws.

**Find Structural Engineering Problems And Solutions :**

[ammavai otha karuppan tamil i9xihomeinburgundy](#)

**andy warhol ladies gentleman sex parts torsos polaroids**

[answer of question american headway 3 student](#)

**anatomical and micromorphological studies on seven species**

**antenna theory and design stutzman 3rd edition**

[answers for dale seymour publications puzzles](#)

**antares autotune evo**

[answers american history guided activity 12 3](#)

[ansi isa 18 2 2009 sii](#)

**annual report financial statements badminton england**

**andrew wommack and greg mohr live bible study notes 2 7 17**

[animal physiology hill 3rd edition download shaojiore](#)

**analyzing nonlinear ansys**

*antenna handbook springer*

**anatomy mcq**

**Structural Engineering Problems And Solutions :**

**amazon com mayo clinic cardiology concise textbook mayo clinic** - Nov 06 2022

web nov 12 2012 the fourth edition of imayo clinic cardiology concise textbook continues the tradition of all previous editions a succinct yet comprehensive teaching and learning textbook rather than an overwhelming reference work

**mayo clinic cardiology concise textbook google books** - Mar 10 2023

web the fourth edition of mayo clinic cardiology concise textbook continues the tradition of all previous editions a succinct yet comprehensive teaching and learning textbook rather than an

[mayo clinic cardiology concise textbook mayo clinic scientific](#) - Aug 15 2023

web nov 12 2012 the fourth edition of imayo clinic cardiology concise textbook continues the tradition of all previous editions a succinct yet comprehensive teaching and learning textbook rather than an overwhelming reference work

**mayo clinic cardiology concise textbook mayo clinic scientific** - Aug 03 2022

web the fourth edition of imayo clinic cardiology concise textbook continues the tradition of all previous editions a succinct

yet comprehensive teaching and learning textbook rather than an overwhelming reference work this new edition continues to bridge the gap between currently available

*mayo clinic cardiology concise textbook 4th edition* - Jan 08 2023

web the fourth edition of mayo clinic cardiology concise textbook continues the tradition of all previous editions a succinct yet comprehensive teaching and learning textbook rather than an overwhelming reference work

**mayo clinic cardiology concise textbook mayo clinic scientific press 4th** - Sep 04 2022

web the fourth edition of imayo clinic cardiology concise textbook continues the tradition of all previous editions a succinct yet comprehensive teaching and learning textbook rather than an overwhelming reference work

**mayo clinic cardiology concise textbook edition 4 paperback** - Dec 07 2022

web nov 12 2012 organized to present a comprehensive overview of the field of cardiology in an accessible reader friendly format that can be covered in about 12 months this new edition contains roughly 50 new material the cardiac pharmacology section has been completely reworked cardiovascular trials have been included and the entire book has

**mayo clinic cardiology concise textbook pdf 4h3hljbadt10** - Mar 30 2022

web the content evolves entirely from mayo clinic physicians and reflects the expert cardiovascular care provided from common conditions to those that are very rare even more tertiary referral centers e book information series mayo clinic scientific press year 2 012 edition 4 pages 1 120 language english identifier 0199915717

**mayo clinic cardiology concise textbook pdf pdf room** - Jul 14 2023

web apr 14 2020 summary organized to present a comprehensive overview of the field of cardiology in an accessible reader friendly format that can be covered in about 12 months this new edition contains roughly 50 new material the cardiac pharmacology section has been completely reworked cardiovascular trials have been included and the entire book

*mayo clinic cardiology concise textbook 4th edition* - Dec 27 2021

web the fourth edition of imayo clinic cardiology concise textbook continues the tradition of all previous editions a succinct yet comprehensive teaching and learning textbook rather than an overwhelming reference work

**mayo clinic cardiology concise textbook mayo clinic scientific** - Feb 09 2023

web mayo clinic cardiology concise textbook mayo clinic scientific press 4th edition amazon com tr kitap

**mayo clinic cardiology 4th edition free download medicogiant** - Feb 26 2022

web mayo clinic cardiology as with its predecessors the fourth edition of mayo clinic cardiology concise textbook is intended as a teaching and learning textbook rather than a cumbersome reference work more than a bare bones collection of lists of information that don't address the core principles of the practice of cardiology this new

*mayo clinic cardiology concise textbook mayo clinic scientific* - May 12 2023

web the fourth edition of imayo clinic cardiology concise textbook continues the tradition of all previous editions a succinct yet comprehensive teaching and learning textbook rather than an overwhelming reference work

**mayo clinic cardiology concise textbook 4ed medical ebooks** - Jan 28 2022

web mayo clinic cardiology concise textbook 4ed continues the tradition of all previous editions a succinct yet comprehensive teaching and file size 45 mb

**mayo clinic cardiology concise textbook 4th ed 99medicalbooks** - Apr 30 2022

web mayo clinic cardiology concise textbook 4th ed 99medicalbooks mayo clinic cardiology concise textbook 4th ed 99 medical books offer worldwide books delivery at your door step within 7 days order mayo clinic cardiology concise textbook 4th ed book now skip to content call us 1 315 688 8205 info 99medicalbooks com

**mayo clinic cardiology concise textbook mayo clinic scientific** - Jul 02 2022

web the fourth edition of imayo clinic cardiology concise textbook continues the tradition of all previous editions a succinct yet comprehensive teaching and learning textbook rather than an overwhelming reference work this new edition continues to bridge the gap between currently available

*mayo clinic cardiology concise textbook oxford academic* - Jun 13 2023

web the fourth edition of mayo clinic cardiology continues the tradition of all previous editions a succinct yet comprehensive teaching and learning resource rather than an overwhelming reference work keywords cardiology anatomy echocardiography computed tomography electrophysiology valvular heart disease vascular disease

**mayo clinic cardiology concise textbook 4th edition medical** - Jun 01 2022

web jul 11 2020 the fourth edition of imayo clinic cardiology concise textbook continues the tradition of all previous editions a succinct yet comprehensive teaching and learning textbook rather than an overwhelming reference work

**mayo clinic cardiology concise textbook fourth edition** - Apr 11 2023

web about the fourth edition of mayo clinic cardiology concise textbook continues the tradition of all previous editions a succinct yet comprehensive teaching and learning textbook rather than an overwhelming reference work

[mayo clinic cardiology 4th ed by joseph g murphy ebook](#) - Oct 05 2022

web the fourth edition of em imayo clinic cardiology concise textbook continues the tradition of all previous editions a succinct yet comprehensive teaching and learning textbook rather than an overwhelming reference work

**the us is dangerously close to being pulled into a middle east war** - Aug 31 2021

happy halloween from the pizza tower team this is a small update that adds a secret level some halloween goodies steam community items and other changes secrets of the world

**plays from the arab world english edition uniport edu** - Feb 22 2021

plays from the arab world english edition 1 9 downloaded from uniport edu ng on october 12 2023 by guest plays from the arab world english edition this is likewise one of the

**8 arab plays you can read like novels 5 free online book** - Aug 11 2022

paperback a collection of new plays exploring life in the middle east editor s dodgson elyse translator s naylor clem abdulrazzak hassan num pages 320 pages bic classification

**plays from the arab world 9781780019383 telegraph bookshop** - Jan 16 2023

may 17 2011 plays from the arab world 240 by elyse dodgson editor view more read an excerpt of this book add to wishlist

plays from the arab world 240 by elyse dodgson

*plays from the arab world english edition pdf uniport edu* - Apr 07 2022

plays from the arab world english edition 1 1 downloaded from uniport edu ng on september 30 2023 by guest plays from the arab world english edition as recognized adventure as

first hostage video of 21 year old mia shem posted by hamas - Nov 02 2021

play translate  learn more in

the arab world thinks differently about this war the economist - Jan 04 2022

oct 22 2023 it includes iran which is happy to sacrifice palestinians in its war on israel as well as iran s proxies hezbollah and palestinian islamic jihad it includes the united nations

quick resolution to tom curry bongi mbonambi race row at - May 28 2021

2 days ago world rugby have confirmed that they are investigating tom curry s allegation of racial abuse against south africa hooker bongi mbonambi during england s world cup semi

**england 15 16 south africa rugby world cup 2023 semi final** - Mar 26 2021

you could buy guide plays from the arab world english edition or get it as soon as feasible you could speedily download this plays from the arab world english edition after getting deal

**plays from the arab world english edition sa dallah wannous** - Jun 09 2022

oct 13 2023 the uprising was markedly different from the first intifada because of widespread suicide bombings against israeli civilians launched by hamas and other groups and the scale

plays from the arab world overdrive - Mar 18 2023

may 17 2011 plays from the arab world elyse dodgson editor 3 33 3 ratings0 reviews a collection of five extraordinary plays exploring and reflecting contemporary life across the

**play translate english to arabic cambridge dictionary** - Oct 01 2021

oct 20 2023 a us navy ship intercepts missiles launched by houthi rebels in yemen two american bases in syria come under

fire in iraq drones and rockets fired at us forces

[plays from the arab world in searchworks catalog](#) - Sep 12 2022

jul 28 2018 from yemen 8 a crime on restaurant street read online a play by wajdi al ahdal translated from the arabic by katherine hennessey yemeni writer wajdi al ahdal

[plays from the arab world stageplays com](#) - Sep 24 2023

in their portrayal of hopes and dreams fears and failures they represent the very best new writing from the arab world capturing as they do the shared experience of all people however

[plays from the arab world english edition pdf uniport edu](#) - Dec 23 2020

**plays from the arab world paperback barnes noble** - Dec 15 2022

may 17 2011 amazon com plays from the arab world 9781848420977 dodgson paused you re listening to a sample of the audible audio edition learn more see this image follow

[plays from the arab world kindle edition amazon com](#) - May 20 2023

plays from the arab world elyse dodgson ed 18 99 description isbn 9781848420977 paperback 240 pages publisher nick hern books 2010 language english a collection of

[pdf plays from the arab world by elyse dodgson perlego](#) - Jun 21 2023

aug 20 2017 elyse dodgson plays from the arab world kindle edition by elyse dodgson editor format kindle edition 5 0 3 ratings see all formats and editions kindle 25 15

[plays from the arab world english edition pdf uniport edu](#) - Mar 06 2022

aug 5 2023 as this plays from the arab world english edition it ends stirring bodily one of the favored book plays from the arab world english edition collections that we have this is why

[plays from the arab world amazon com](#) - Nov 14 2022

a collection of five extraordinary plays exploring and reflecting contemporary life across the near east and north africa includes withdrawal by mohammad al attar syria 603 by imad

**plays from the arab world english edition pdf uniport edu** - Feb 05 2022

oct 18 2023 the war between israel and hamas now in its 12th day has been no different covered around the clock on television discussed endlessly on social media it has sparked

**plays from the arab world dodgson elyse 9781848420977** - Oct 13 2022

select search scope currently catalog all catalog articles website more in one search catalog books media more in the stanford libraries collections articles journal articles

[plays from the arab world the mosaic rooms](#) - Apr 19 2023

aug 20 2017 a collection of five extraordinary plays exploring and reflecting contemporary life across the near east and north africa withdrawal by mohammad al attar syria 603 by imad

**iran and the arab world sacrifice palestinians to fight israel** - Dec 03 2021

oct 17 2023 schem a 21 year old french israeli woman is being held hostage by the militant group hamas in the gaza strip the video released by hamas on monday is the first footage

*plays from the arab world english edition uniport edu* - Jan 24 2021

plays from the arab world english edition is available in our digital library an online access to it is set as public so you can get it instantly our book servers saves in multiple locations

[plays from the arab world concord theatricals](#) - Aug 23 2023

plays from the arab world by elyse dodgson 2017 hern books limited nick edition in english

[what are the roots of the israel palestine conflict](#) - May 08 2022

plays from the arab world english edition 1 9 downloaded from uniport edu ng on october 5 2023 by guest plays from the arab world english edition when somebody should go to

*world rugby launch investigation into south africa s bongi* - Apr 26 2021

oct 21 2023 owen farrell of england scores a drop goal during the 2023 rugby world cup sem i final against south africa photograph henry browne world rugby getty images

**pizza tower happy halloween a secret level steam** - Jul 30 2021

1 day ago argentina v england when is the 2023 rugby world cup third place play off by telegraph sport 25 oct 2023 8 33am new zealand v south africa when is the 2023 rugby

*plays from the arab world by elyse dodgson goodreads* - Feb 17 2023

a collection of five extraordinary plays exploring and reflecting contemporary life across the near east and north africa withdrawal by mohammad al attar syria 603 by imad farajin

**plays from the arab world mohammad al attar imad farajin** - Jul 10 2022

manner of this one merely said the plays from the arab world english edition is universally compatible like any devices to read the oxford guide to literature in english translation

**plays from the arab world by elyse dodgson open library** - Jul 22 2023

ebook epub plays from the arab world elyse dodgson elyse dodgson book details table of contents citations about this book a collection of five extraordinary plays exploring and

**bongi mbonambi afrikaans defence undermined as new footage** - Jun 28 2021

23 hours ago argentina v england when is the 2023 rugby world cup third place play off by telegraph sport 25 oct 2023 8 33am new zealand v south africa when is the 2023 rugby

**9781843172703 not all grannies knit how to be a bad** - Mar 26 2023

abebooks com not all grannies knit how to be a bad grandmother 9781843172703 by pritchett joan and a great selection of similar new used and collectible books available now

**not all grannies knit how to be a bad grandmother hardcover** - Feb 10 2022

amazon in buy not all grannies knit how to be a bad grandmother book online at best prices in india on amazon in read not all grannies knit how to be a bad grandmother

not all grannies knit how to be a bad grandmother by joan - Feb 22 2023

summary recently viewed bids offers watch list purchase history selling saved searches saved sellers my garage messages collect spend learn more notification expand basket

**not all grannies knit how to be a bad grandmother joan** - Sep 19 2022

oct 13 2021 not all grannies knit how to be a bad grandmother joan pritchett mistaking a billionaire for a gigolo 3 registration steamy nights 5 4 connectivism borrow

**knit like granny simple answers for busy knitters** - May 16 2022

simple answers for busy knitters hi i m jodie i started knit like granny to show 1 000 000 people the joys of knitting highlight alternatives to fast fashion find tutorials and knitting

**not all grannies knit how to be a bad grandmother alibris** - Jun 16 2022

from the initial shock is this going to be a nuisance for me to the journey through pregnancy try not to laugh when the expectant couple start talking about the beauty of natural

**not all grannies knit how to be a bad grandmother abebooks** - Dec 23 2022

not all grannies knit how to be a bad grandmother pritchett joan 3 57 avg rating 7 ratings by goodreads hardcover isbn 10 1843172097 isbn 13 9781843172093 publisher michael

not all grannies knit how to be a bad grandmother book - Mar 14 2022

oct 18 2023 bus driver charged with dangerous driving occasioning death after 10 killed in horror hunter valley wedding bus crash 9news liz jones s diary in which i ponder a

**not all grannies knit how to be a bad grandmother** - Jun 28 2023

sep 28 2007 becoming a grandmother is a strange experience that involves becoming part of the older generation almost overnight luckily help is at hand in the form of this razor sharp

**not all grannies knit how to be a bad grandmother copy** - Jul 30 2023

not all grannies knit how to be a bad grandmother 1 not all grannies knit how to be a bad grandmother last chance summer normal instructor and teachers world yorkshire

[not all grannies knit how to be a bad grandmother google](#) - Jan 24 2023

from the initial shock is this going to be a nuisance for me to the journey through pregnancy try not to laugh when the expectant couple start talking about the beauty of natural

**not all grannies knit how to be a bad grandmother by pritchett** - Apr 26 2023

jul 12 2023 find many great new used options and get the best deals for not all grannies knit how to be a bad grandmother by pritchett joan at the best online prices at ebay free

*not all grannies knit how to be a bad grandmother pdf* - Jul 18 2022

not all grannies knit how to be a bad grandmother thank you very much for downloading not all grannies knit how to be a bad grandmother maybe you have knowledge that

[not all grannies knit how to be a bad grandmother copy](#) - Jan 12 2022

episodes of amish knitting circle and then amish friends knitting circle and then making the dessert recipes included an idea popped into my head granny loves jane austen so why

**not all grannies knit how to be a bad grandmother** - Aug 31 2023

i can imagine the humour will not be to everyone s taste but if the prospective reader was a fan of abfab then there is a good chance they will enjoy reading this book read more 3 people

**not all grannies knit how to be a bad grandmother kristian** - Dec 11 2021

not all grannies knit how to be a bad grandmother this is likewise one of the factors by obtaining the soft documents of this not all grannies knit how to be a bad grandmother

*not all grannies knit how to be a bad grandmother frederick* - Nov 09 2021

afterward it is not directly done you could undertake even more on this life nearly the world we offer you this proper as with ease as easy habit to get those all

*not all grannies knit how to be a bad grandmother paperback* - May 28 2023

every first time grandmother finds grandmotherhood quite a shock nobody asks you how you feel about it one minute you are a busy youthful person getting on with life and the next you

**not all grannies knit how to be a bad grandmother** - Oct 01 2023

all books all texts this just in smithsonian libraries fedlink us genealogy lincoln collection

[not all grannies knit how to be a bad grandmother by joan](#) - Apr 14 2022

find many great new used options and get the best deals for not all grannies knit how to be a bad grandmother by joan

pritchett paperback 2007 at the best online prices at ebay

**not all grannies knit how to be a bad grandmother hardcover** - Nov 21 2022

aug 19 2023 get more time to pay see payment information report this item about this item postage and payment seller assumes all responsibility for this listing ebay item number

**not all grannies knit by joan pritchett used 9781843172703** - Oct 21 2022

from the initial shock to the journey through pregnancy to the thorny issues of names and the even thornier issue of the competitive this guide takes a look at the pleasures and pitfalls lying

kindle online not all grannies knit how to be a bad yumpu - Aug 19 2022

copy link download file readbooks link book 1843172097 not all grannies knit how to be a bad grandmother enjoy producing ebooks download not all grannies