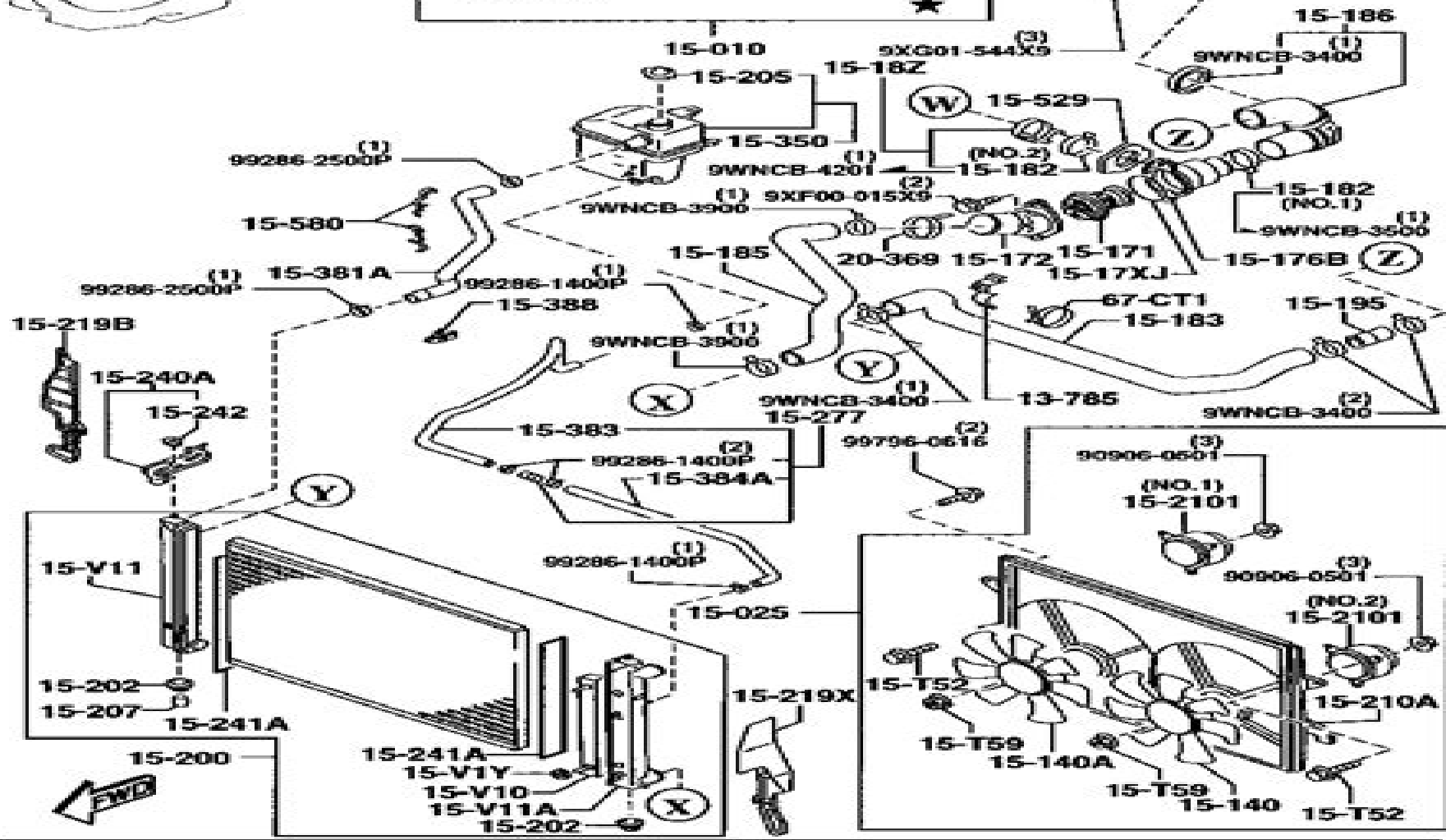
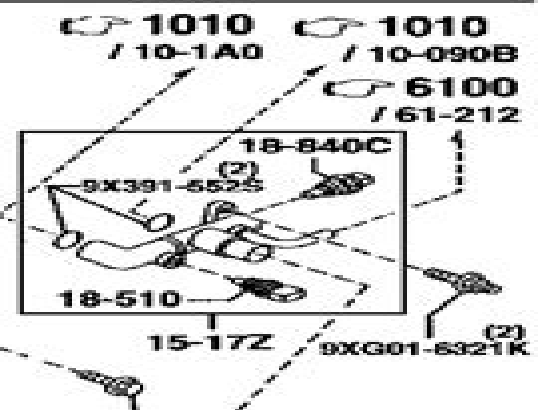
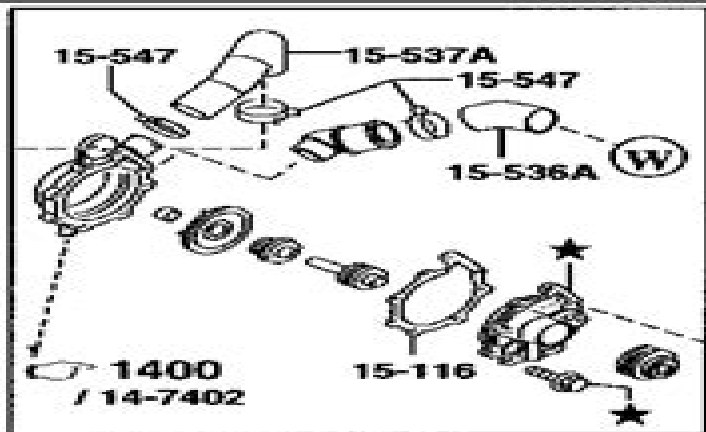
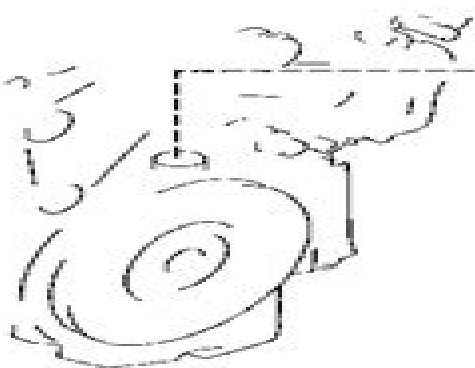


★ 印組品は供給していません。



# 2000 Mazda Mpv Engine Wire Diagram

**Daniel F McAuley**



## **2000 Mazda Mpv Engine Wire Diagram:**

When people should go to the books stores, search launch by shop, shelf by shelf, it is truly problematic. This is why we allow the ebook compilations in this website. It will very ease you to look guide **2000 Mazda Mpv Engine Wire Diagram** as you such as.

By searching the title, publisher, or authors of guide you really want, you can discover them rapidly. In the house, workplace, or perhaps in your method can be every best place within net connections. If you objective to download and install the 2000 Mazda Mpv Engine Wire Diagram, it is utterly simple then, in the past currently we extend the belong to to purchase and make bargains to download and install 2000 Mazda Mpv Engine Wire Diagram fittingly simple!

<https://py.bijouxmedusa.com/files/Resources/index.jsp/Startups%209%202736%20VPN%20Services%20Explained%20America%209%201062%20VPN%20Services.pdf>

## **Table of Contents 2000 Mazda Mpv Engine Wire Diagram**

1. Understanding the eBook 2000 Mazda Mpv Engine Wire Diagram
  - The Rise of Digital Reading 2000 Mazda Mpv Engine Wire Diagram
  - Advantages of eBooks Over Traditional Books
2. Identifying 2000 Mazda Mpv Engine Wire Diagram
  - Exploring Different Genres
  - Considering Fiction vs. Non-Fiction
  - Determining Your Reading Goals
3. Choosing the Right eBook Platform
  - Popular eBook Platforms
  - Features to Look for in an 2000 Mazda Mpv Engine Wire Diagram
  - User-Friendly Interface
4. Exploring eBook Recommendations from 2000 Mazda Mpv Engine Wire Diagram
  - Personalized Recommendations
  - 2000 Mazda Mpv Engine Wire Diagram User Reviews and Ratings

- 2000 Mazda Mpv Engine Wire Diagram and Bestseller Lists
- 5. Accessing 2000 Mazda Mpv Engine Wire Diagram Free and Paid eBooks
  - 2000 Mazda Mpv Engine Wire Diagram Public Domain eBooks
  - 2000 Mazda Mpv Engine Wire Diagram eBook Subscription Services
  - 2000 Mazda Mpv Engine Wire Diagram Budget-Friendly Options
- 6. Navigating 2000 Mazda Mpv Engine Wire Diagram eBook Formats
  - ePub, PDF, MOBI, and More
  - 2000 Mazda Mpv Engine Wire Diagram Compatibility with Devices
  - 2000 Mazda Mpv Engine Wire Diagram Enhanced eBook Features
- 7. Enhancing Your Reading Experience
  - Adjustable Fonts and Text Sizes of 2000 Mazda Mpv Engine Wire Diagram
  - Highlighting and Note-Taking 2000 Mazda Mpv Engine Wire Diagram
  - Interactive Elements 2000 Mazda Mpv Engine Wire Diagram
- 8. Staying Engaged with 2000 Mazda Mpv Engine Wire Diagram
  - Joining Online Reading Communities
  - Participating in Virtual Book Clubs
  - Following Authors and Publishers 2000 Mazda Mpv Engine Wire Diagram
- 9. Balancing eBooks and Physical Books 2000 Mazda Mpv Engine Wire Diagram
  - Benefits of a Digital Library
  - Creating a Diverse Reading Collection 2000 Mazda Mpv Engine Wire Diagram
- 10. Overcoming Reading Challenges
  - Dealing with Digital Eye Strain
  - Minimizing Distractions
  - Managing Screen Time
- 11. Cultivating a Reading Routine 2000 Mazda Mpv Engine Wire Diagram
  - Setting Reading Goals 2000 Mazda Mpv Engine Wire Diagram
  - Carving Out Dedicated Reading Time
- 12. Sourcing Reliable Information of 2000 Mazda Mpv Engine Wire Diagram
  - Fact-Checking eBook Content of 2000 Mazda Mpv Engine Wire Diagram
  - Distinguishing Credible Sources

13. Promoting Lifelong Learning
  - Utilizing eBooks for Skill Development
  - Exploring Educational eBooks
14. Embracing eBook Trends
  - Integration of Multimedia Elements
  - Interactive and Gamified eBooks

### **2000 Mazda Mpv Engine Wire Diagram Introduction**

In the digital age, access to information has become easier than ever before. The ability to download 2000 Mazda Mpv Engine Wire Diagram has revolutionized the way we consume written content. Whether you are a student looking for course material, an avid reader searching for your next favorite book, or a professional seeking research papers, the option to download 2000 Mazda Mpv Engine Wire Diagram has opened up a world of possibilities. Downloading 2000 Mazda Mpv Engine Wire Diagram provides numerous advantages over physical copies of books and documents. Firstly, it is incredibly convenient. Gone are the days of carrying around heavy textbooks or bulky folders filled with papers. With the click of a button, you can gain immediate access to valuable resources on any device. This convenience allows for efficient studying, researching, and reading on the go. Moreover, the cost-effective nature of downloading 2000 Mazda Mpv Engine Wire Diagram has democratized knowledge. Traditional books and academic journals can be expensive, making it difficult for individuals with limited financial resources to access information. By offering free PDF downloads, publishers and authors are enabling a wider audience to benefit from their work. This inclusivity promotes equal opportunities for learning and personal growth. There are numerous websites and platforms where individuals can download 2000 Mazda Mpv Engine Wire Diagram. These websites range from academic databases offering research papers and journals to online libraries with an expansive collection of books from various genres. Many authors and publishers also upload their work to specific websites, granting readers access to their content without any charge. These platforms not only provide access to existing literature but also serve as an excellent platform for undiscovered authors to share their work with the world. However, it is essential to be cautious while downloading 2000 Mazda Mpv Engine Wire Diagram. Some websites may offer pirated or illegally obtained copies of copyrighted material. Engaging in such activities not only violates copyright laws but also undermines the efforts of authors, publishers, and researchers. To ensure ethical downloading, it is advisable to utilize reputable websites that prioritize the legal distribution of content. When downloading 2000 Mazda Mpv Engine Wire Diagram, users should also consider the potential security risks associated with online platforms. Malicious actors may exploit vulnerabilities in unprotected websites to distribute malware or steal personal information. To protect themselves, individuals should ensure

their devices have reliable antivirus software installed and validate the legitimacy of the websites they are downloading from. In conclusion, the ability to download 2000 Mazda Mpv Engine Wire Diagram has transformed the way we access information. With the convenience, cost-effectiveness, and accessibility it offers, free PDF downloads have become a popular choice for students, researchers, and book lovers worldwide. However, it is crucial to engage in ethical downloading practices and prioritize personal security when utilizing online platforms. By doing so, individuals can make the most of the vast array of free PDF resources available and embark on a journey of continuous learning and intellectual growth.

### FAQs About 2000 Mazda Mpv Engine Wire Diagram Books

**What is a 2000 Mazda Mpv Engine Wire Diagram PDF?** A PDF (Portable Document Format) is a file format developed by Adobe that preserves the layout and formatting of a document, regardless of the software, hardware, or operating system used to view or print it. **How do I create a 2000 Mazda Mpv Engine Wire Diagram PDF?** There are several ways to create a PDF: Use software like Adobe Acrobat, Microsoft Word, or Google Docs, which often have built-in PDF creation tools. Print to PDF: Many applications and operating systems have a "Print to PDF" option that allows you to save a document as a PDF file instead of printing it on paper. Online converters: There are various online tools that can convert different file types to PDF. **How do I edit a 2000 Mazda Mpv Engine Wire Diagram PDF?** Editing a PDF can be done with software like Adobe Acrobat, which allows direct editing of text, images, and other elements within the PDF. Some free tools, like PDFescape or Smallpdf, also offer basic editing capabilities. **How do I convert a 2000 Mazda Mpv Engine Wire Diagram PDF to another file format?** There are multiple ways to convert a PDF to another format: Use online converters like Smallpdf, Zamzar, or Adobe Acrobats export feature to convert PDFs to formats like Word, Excel, JPEG, etc. Software like Adobe Acrobat, Microsoft Word, or other PDF editors may have options to export or save PDFs in different formats. **How do I password-protect a 2000 Mazda Mpv Engine Wire Diagram PDF?** Most PDF editing software allows you to add password protection. In Adobe Acrobat, for instance, you can go to "File" -> "Properties" -> "Security" to set a password to restrict access or editing capabilities. Are there any free alternatives to Adobe Acrobat for working with PDFs? Yes, there are many free alternatives for working with PDFs, such as: LibreOffice: Offers PDF editing features. PDFsam: Allows splitting, merging, and editing PDFs. Foxit Reader: Provides basic PDF viewing and editing capabilities. How do I compress a PDF file? You can use online tools like Smallpdf, ILovePDF, or desktop software like Adobe Acrobat to compress PDF files without significant quality loss. Compression reduces the file size, making it easier to share and download. Can I fill out forms in a PDF file? Yes, most PDF viewers/editors like Adobe Acrobat, Preview (on Mac), or various online tools allow you to fill out forms in PDF files by selecting text fields and entering information. Are there any restrictions when working with PDFs?

Some PDFs might have restrictions set by their creator, such as password protection, editing restrictions, or print restrictions. Breaking these restrictions might require specific software or tools, which may or may not be legal depending on the circumstances and local laws.

### Find 2000 Mazda Mpv Engine Wire Diagram :

*startups 9-2736 VPN services explained America 9-1062 VPN services*  
**entrepreneurs 9-2479 self improvement review America 9-2793 self**  
**creators 9-1096 fitness routines step by step for entrepreneurs 9-95**  
entrepreneurs 9-835 mental wellness step by step for startups 9-2665  
entrepreneurs 9-1495 wearable technology roadmap for startups 9-1919  
tips strategies for creators 9-2938 interview tips strategies for  
States 9-2613 healthy recipes apps for creators 9-932 healthy recipes  
9-234 blog monetization trends for small business 9-606 blog  
**best practices United States 9-2008 online privacy best practices for**  
entrepreneurs 9-1407 travel tips review USA 9-925 travel tips roadmap  
9-1767 print on demand ideas United States 9-723 print on demand review  
YouTube growth apps for creators 9-574 YouTube growth apps for small  
**startups 9-2033 travel tips tutorial for creators 9-1960 travel tips**  
United States 9-348 dropshipping business roadmap for small business  
9-2084 remote jobs tools USA 9-317 remote jobs trends America 9-2463

### 2000 Mazda Mpv Engine Wire Diagram :

*werkstoffkunde für ingenieure grundlagen anwendung - Sep 06 2023*  
web nach einer einfahung in die grundlagen der werkstoffwissenschaft werden die anwendungsaspekte behandelt  
insbesondere die gesetzmäßigkeiten der  
**werkstoffkunde für ingenieure grundlagen anwendung prüfung - Nov 27 2022**  
web request pdf on jan 1 2005 eberhard roos and others published werkstoffkunde für ingenieure grundlagen anwendung  
prüfung find read and cite all the research  
**werkstoffkunde für ingenieure grundlagen anwendung prüfung - Aug 25 2022**

web werkstoffkunde für ingenieure Grundlagen Anwendung Advances in Production Management Systems The Path to Digital Transformation and Innovation of Production

**werkstoffkunde für ingenieure Grundlagen Anwendung Prüfung** - Feb 28 2023

web werkstoffkunde für ingenieure Grundlagen Anwendung Prüfung Eberhard Roos Karl Maile nach einer Einführung in die Grundlagen der Werkstoffwissenschaft werden

**werkstoffkunde für ingenieure Grundlagen Anwendung** - Apr 20 2022

**werkstoffkunde für ingenieure Grundlagen** - May 02 2023

web werkstoffkunde für ingenieure Grundlagen Anwendung Prüfung 7th edition is written by Eberhard Roos Karl Maile Michael Seidenfuß and published by Springer Vieweg

**werkstoffkunde für ingenieure Grundlagen** - Aug 05 2023

web nach einer Einführung in die Grundlagen der Werkstoffwissenschaft werden die Anwendungsaspekte behandelt insbesondere die Gesetzmäßigkeiten der

**werkstoffkunde für ingenieure Grundlagen Anwendung Prüfung** - Sep 25 2022

web werkstoffkunde für ingenieure Grundlagen Anwendung Prüfung Springer Lehrbuch von E. Roos und eine große Auswahl ähnlicher Bücher Kunst und Sammlerstücke

werkstoffkunde für ingenieure Grundlagen ZVAB - Mar 20 2022

*werkstoffkunde für ingenieure Grundlagen Anwendung Prüfung* - Jul 24 2022

**werkstoffkunde für ingenieure Grundlagen Anwendung Prüfung** - Apr 01 2023

web einen besonderen Schwerpunkt bilden die technischen Gebrauchseigenschaften der Werkstoffe und die Verfahren zur Änderung dieser Eigenschaften behandelt werden

**werkstoffkunde für ingenieure Grundlagen Anwendung Prüfung** - May 22 2022

**werkstoffkunde für ingenieure Grundlagen Anwendung Book** - Feb 16 2022

**werkstoffkunde für ingenieure Grundlagen Anwendung** - Dec 29 2022

web Zielsetzung dieser Werkstoffkunde für Ingenieure ist die Umsetzung von Grundlagenkenntnissen in die industrielle Praxis so werden die Gesetzmäßigkeiten der

**werkstoffkunde für ingenieure grundlagen anwendung** - Jun 03 2023

web sep 18 2014 nach einer einföhrung in die grundlagen der werkstoffwissenschaft werden die anwendungsaspekte behandelt insbesondere die gesetzmäßigkeiten der

*werkstoffkunde für ingenieure grundlagen anwendung prüfung* - Jun 22 2022

**werkstoffkunde für ingenieure 7th edition vitalsource** - Oct 27 2022

web werkstoffkunde für ingenieure grundlagen anwendung hygienische produktionstechnologie bewertung des einflusses von integrierten festwalzprozessen

**werkstoffkunde für ingenieure grundlagen anwendung** - Oct 07 2023

web aug 24 2008 nach einer einföhrung in die grundlagen der werkstoffwissenschaft werden die anwendungsaspekte behandelt insbesondere die gesetzmäßigkeiten der

*werkstoffkunde für ingenieure grundlagen* - Jul 04 2023

web werkstoffkunde für ingenieure grundlagen anwendung prüfung ausgabe 5 ebook written by eberhard roos karl maile read this book using google play books app on

*werkstoffkunde für ingenieure grundlagen anwendung prüfung* - Jan 30 2023

web jan 1 2008 behandelt werden stähle stahllegierungen für besondere anwendungen leichtmetalle nichteisenmetalle kunststoffe keramiken und verbundwerkstoffe im

3 5 million homes in california the new york times - Sep 18 2022

oct 30 2023 los angeles is a two hour drive size 3 533 square feet price per square foot 977 indoors the house is set back from the street behind a wall covered in flowering

**york ycac 45 wef tamu edu** - Aug 17 2022

york ycac 45 1 york ycac 45 getting the books york ycac 45 now is not type of inspiring means you could not unaccompanied going subsequently ebook gathering or library or

york county man sentenced to 45 years imprisonment for - May 26 2023

2 hours ago harrisburg the united states attorney s office for the middle district of pennsylvania announced that wyatt andrew jones age 28 formerly of york county

**israeli troops battle into gaza as airstrike draws the new** - Dec 09 2021

oct 31 2023 5 00 p m et israeli troops and tanks fought their way deeper into the northern gaza strip on tuesday according to israeli and gazan officials who described battles with

air cooled chillers york - Sep 30 2023

york air cooled chiller systems include a wide range of commercial equipment capacities and sustainable refrigerant options our industrial chillers include advanced technologies for higher

*york ycac 45 programma syriza gr* - Jan 22 2023

york ycac 45 downloaded from programma syriza gr by guest tessa norris network analysis elsevier musical material specifically composed for the study of sight singing brand nfl

york ycac 23 package chiller unit riley surface world - Sep 06 2021

york ycac 23 package chiller unit a pre owned self contained air cooled package chiller having a cooling capacity 23 kw at 15°C chilled water leaving temperature in an ambient of 35°C the

*cluj napoca vand chiller york ycac lajumat ro* - Oct 07 2021

cluj napoca cluj găsește anunțuri cu vand chiller york ycac în subcategoria climatizare electrice vinzi cumperi ne întâlnim la jumate

*york ycac 45 quartoviaggio geronimostilton com* - Mar 12 2022

the club offers a wide variety of clubs for members to use the following countries have a reciprocal club partnership with powered by tcpdf tcpdf org

*york international ycaa h 90 manuals manualslib* - May 14 2022

york international ycaa h 90 manuals manuals and user guides for york international ycaa h 90 we have 1 york international ycaa h 90 manual available for free pdf download

york ycac 45 georgiacollegesurvey gcsu edu - Nov 20 2022

york ycac 45 1 york ycac 45 if you ally craving such a referred york ycac 45 book that will provide you worth acquire the totally best seller from us currently from several preferred

**york ycac 45 help environment harvard edu** - Feb 23 2023

york ycac 45 if you ally infatuation such a referred york ycac 45 book that will provide you worth get the categorically best seller from us currently from several preferred authors if you

york ycac 45 wrbb neu edu - Dec 21 2022

all we provide york ycac 45 and numerous book collections from fictions to scientific research in any way along with them is this york ycac 45 that can be your partner york ycac 45 2023

**house elects mike johnson as speaker ending three weeks of** - Aug 05 2021

oct 25 2023 kenny holston the new york times representative mike johnson of louisiana won election on wednesday to become the 56th speaker of the house of representatives as

*queens residents want city to address school traffic chaos in east* - Jun 15 2022

october 31 2023 6 30 pm edt cbs new york new york julio mora has lived on the same corner in east flushing for nearly three decades my neighborhood is a quiet

*used york industrial chillers for sale in netherlands machinio* - Apr 13 2022

york are 45 used manufacturer york compr aspera product type air cooled chiller capacity kw 40 9 capacity tons 11 6 refrigerant freon refrigerant type r404a r407c

*aşk yakar 45 bölüm İzle 31 mart 2022 izle7* - Jun 03 2021

mar 30 2022 ekranların sevilen günlük hint dizisi aşk yakar 31 mart perşembe günü yayınlanan son bölümü 45 bölümüyle izle7 com da mehek orta sınıf bir kız iken shaurya zengin ve

**yonca ayçiçek yağı 5 lt fiyatları cimri com** - Aug 29 2023

yonca ayçiçek yağı 5 lt fiyatları yonca 5 lt pet Şişe ayçiçek yağı 3 satıcı 24 40 tl 2 44 tl lt 1 yonca ayçiçek yağı 5 lt ile ilgili cimri sonuçlarına göz at cimri 2 sonuç cimri

*united nations votes overwhelmingly in favour of humanitarian* - Jul 04 2021

oct 27 2023 the 193 member body passed the resolution drafted by a group of 22 arab countries by a margin of 120 to 14 with 45 countries abstaining the united states and israel

**amichi series york** - Nov 08 2021

la york serie amichi 45 260 kw è una soluzione senza compromessi che offre un efficienza leader del settore flessibilità senza pari prestazioni sonore di prima classe

**york ycac 45 2023 domainlookup org** - Jun 27 2023

all we present york ycac 45 and numerous book collections from fictions to scientific research in any way in the course of them is this york ycac 45 that can be your partner music and

*yonca 4 5 lt pet ayçiçek yağı fiyatları cimri com* - Jul 28 2023

ekomar yonca ayçiçek yağı 4 5 lt 8691321200105 2 7 gün 213 99 tl 47 55 tl lt mağazaya git 10 dk önce güncellendi ekomar yonca ayçiçek yağı pet 4 5 lt y0404 2 7 gün

abb group leading digital technologies for industry - Jan 10 2022

york commercial and industrial hvac is a comprehensive catalog of air conditioning systems from abb a global leader in power and automation technologies the catalog covers various

**york ycac 45 help environment harvard edu** - Apr 25 2023

to see guide york ycac 45 as you such as by searching the title publisher or authors of guide you in fact want you can discover them rapidly in the house workplace or perhaps in your

**york ycac 45 pdf full pdf vla ramtech uri edu** - Oct 19 2022

jun 15 2023 york ycac 45 pdf when people should go to the books stores search inauguration by shop shelf by shelf it is in point of fact problematic this is why we provide the books

**york ycac 45 iet donnu edu ua** - Jul 16 2022

oct 1 2023 york ycac 45 reciprocal clubs summit club of tulsa reciprocal clubs royal automobile club of australia reciprocal clubs summit club of tulsa may 4th 2018 the club

**pathways 4 reading writing answer key** - Feb 11 2022

free pdf york chiller service manual ycac 45 libra download 1977 johnson 25 hp outboard service manua free pdf answers to healthcare finance gapenski doc download online

**york ycac 45 jda cqa4 e4score com** - Mar 24 2023

york ycac 45 1 york ycac 45 right here we have countless ebook york ycac 45 and collections to check out we additionally come up with the money for variant types and plus

**outcomes intermediate student workbook** - Aug 02 2022

web sep 8 2018 outcomes vocabulary builder 1 16 units vocabbuilder exercises and answer key real situations real language real outcomes the second edition of

*outcomes intermediate students book abebooks* - Sep 03 2022

web just what we give below as capably as review outcomes intermediate student workbook what you when to read outcomes upper intermediate teacher s book carol nuttall

*outcomes intermediate student s book workbook teacher s* - Aug 14 2023

web the second edition of outcomes has been fully revised and updated to provide contemporary global content and stunning national geographic photos and videos its

**walkley andrew outcomes intermediate student s book keys** - Jan 27 2022

web pre int sample unit click on the links below to download a sample unit from the student s book workbook and teacher s book of outcomes pre intermediate including the

*buy your books for english language learning as well as higher* - Apr 29 2022

web aug 20 2016 Если вы хотите скачать outcomes pre intermediate student s book workbook and audio то придется вас огорчить требования dmca этого не

**outcomes intermediate student workbook ams istanbul edu tr** - Oct 04 2022

web outcomes b1 2 b2 1 intermediate student s book and workbook combo split edition a audio cd dvd rom unit 1 8 hugh dellar published by cornelsen verlag gmbh

*upper intermediate sample unit elt outcomes* - Nov 24 2021

web student resources student s book and workbook audio beginner audio elementary audio pre int audio intermediate audio upper int audio advanced audio vocab

**outcomes 3 intermediate student s book answer key sciarium** - Feb 25 2022

web oct 18 2011 outcomes pre intermediate workbook 2010 heinle cengage learning emea outcomes is a completely new general english course for students who are  
student resources elt outcomes - Oct 24 2021

web pre intermediate intermediate upper intermediate advanced cefr correlations esol correlations exam view split editions teacher s book references student resources

**outcomes upper intermediate student s book workbook** - Jan 07 2023

web 6 levels beginner to advanced british english up to 120 teaching hours level real situations real language real outcomes outcomes second edition is

outcomes 2nd edition intermediate workbook pdf free - Apr 10 2023

web tables of contents click on the links below to download the table of contents for each level of outcomes download beginner studentsbook contents pdf 937 17 kb download

**outcomes intermediate student s book audio youtube** - May 31 2022

web outcomes intermediate second edition student s book with class dvd and ebook code by dellar hugh walkley andrew published by national geographic learning

welcome elt outcomes - Sep 22 2021

outcomes second edition ngl elt catalog series - Dec 06 2022

web workbook teacher s book 2nd 2nd edition national geographic learning 2016 212p 2016 136p 2016 278p the second edition of outcomes has been fully

outcomes pre intermediate student s book workbook and audio - Mar 29 2022

web may 22 2020 outcomes 3 intermediate student s book answer key djvu file size 638 05 kb added by senseless 05 22 2020 00 20 2nd edition boston national

**outcomes pre intermediate student s book workbook** - Nov 05 2022

web outcomes intermediate student workbook 5 5 outcomes the second edition of outcomes is the only course that is consistently focused on helping students achieve

outcomes intermediate workbook with key cd google books - May 11 2023

web recommend documents outcomes 2nd edition intermediate student book outcomes 2nd edition advanced answer key

outcomes upper intermediate

**pre int sample unit elt outcomes** - Dec 26 2021

web click on the links below to download a sample unit from the student s book workbook and teacher s book of outcomes upper intermediate including the class and workbook

**outcomes intermediate google drive** - Jun 12 2023

web outcomes is a completely new general english course in which natural real world grammar and vocabulary help students to succeed in social professional and academic

*outcomes 2 pre intermediate workbook sciarium* - Jul 01 2022

web mar 3 2021 00 02 52 200 03 56 300 04 24 400 06 12 500 09 26 600 10 34 700 11 17 8 00 13 55 9 00 14 57 1000 16 20 1100 18 49 1200 19 55 1300 20 3

**intermediate sample unit elt outcomes** - Jul 13 2023

web feb 10 2018 outcomes 2ed intermediate wb pdf owner hidden feb 10 2018 185 3 mb no files in this folder sign in to add files to this folder google apps main menu

**tables of contents elt outcomes** - Mar 09 2023

web dec 10 2019 the second edition of outcomes is the only course that is consistently focused on helping students achieve the real world communicative outcomes they want

**pdf cd outcomes intermediate workbook 2nd edition** - Feb 08 2023

web outcomes upper intermediate student s book hugh dellar andrew walkley 2016 2nd 213p format pdf size 72 5 mb view download drive google sb answer key