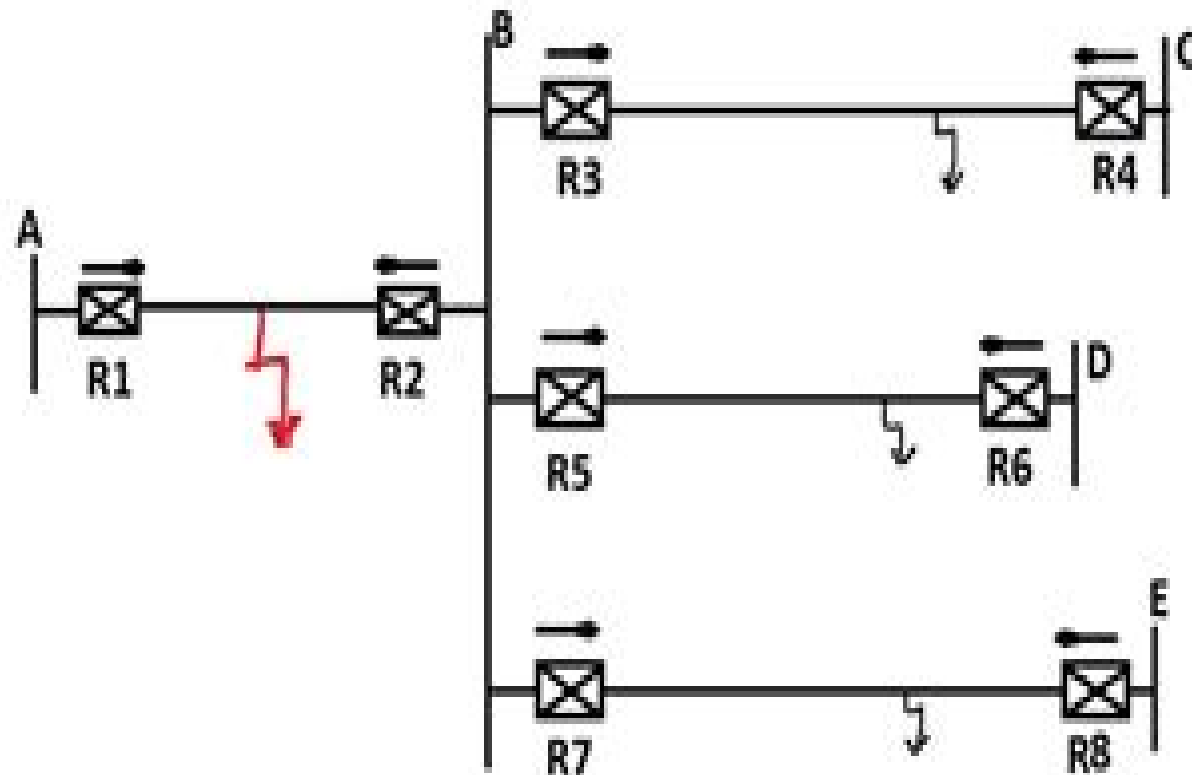


Distance relays can be classified into phase relay and ground relays. Phase relays are used to protect the transmission line against phase faults (three phase, L-L) and ground relays are used to protect against ground faults (S-L-G, L-L-G).



The distance relay R1 has to provide primary protection to line AB and back up protection to lines BC, BD and BE.

21 Distance Relay T

Lingsheng Yao



21 Distance Relay T:

Protective Relaying Walter A. Elmore, 2003-09-09 Targeting the latest microprocessor technologies for more sophisticated applications in the field of power system short circuit detection this revised and updated source imparts fundamental concepts and breakthrough science for the isolation of faulty equipment and minimization of damage in power system apparatus The Second Edition clearly describes key procedures devices and elements crucial to the protection and control of power system function and stability It includes chapters and expertise from the most knowledgeable experts in the field of protective relaying and describes microprocessor techniques and troubleshooting strategies in clear and straightforward language

Protection Techniques in Electrical Energy Systems Helmut Ungrad, Willibald Winkler, Andrzej Wiszniewski, 2020-08-18 Presenting the theoretical principles for and current state of electrical power system protection engineering this work explains the functions of protection and control equipment It provides application guidelines for every component to be protected in a system and examines and compares American British and continental protection philosophies

CBIP Recommendations , Microprocessor Relays and Protection Systems , 1987

Power System Dynamics with Computer-Based Modeling and Analysis Yoshihide Hase, Tanuj Khandelwal, Kazuyuki Kameda, 2020-01-21 A unique combination of theoretical knowledge and practical analysis experience Derived from Yoshihide Hases Handbook of Power Systems Engineering 2nd Edition this book provides readers with everything they need to know about power system dynamics Presented in three parts it covers power system theories computation theories and how prevailed engineering platforms can be utilized for various engineering works It features many illustrations based on ETAP to help explain the knowledge within as much as possible Recompiling all the chapters from the previous book Power System Dynamics with Computer Based Modeling and Analysis offers nineteen new and improved content with updated information and all new topics including two new chapters on circuit analysis which help engineers with non electrical engineering backgrounds Topics covered include Essentials of Electromagnetism Complex Number Notation Symbolic Method and Laplace transform Fault Analysis Based on Symmetrical Components Synchronous Generators Induction motor Transformer Breaker Arrester Overhead line Power cable Steady State Transient Dynamic Stability Control governor AVR Directional Distance Relay and R X Diagram Lightning and Switching Surge Phenomena Insulation Coordination Harmonics Power Electronics Applications Devices PE circuit and Control and more Combines computer modeling of power systems including analysis techniques from an engineering consultants perspective Uses practical analytical software to help teach how to obtain the relevant data formulate what if cases and convert data analysis into meaningful information Includes mathematical details of power system analysis and power system dynamics Power System Dynamics with Computer Based Modeling and Analysis will appeal to all power system engineers as well as engineering and electrical engineering students

Electrical Power System

Protection C. Christopoulos, A. Wright, 1999-06-30 The death of Professor Arthur Wright in the summer of 1996 deprived me

of a friend and a colleague whose judgement and experience shaped this book I pay tribute to his contributions to protection and electrical engineering education In the five years since the first edition appeared many developments have taken place and it is now necessary to update the book The use of digital communications and advanced signal processing techniques is now widespread and several fully numeric relays are available from manu facturers Two new Chapters 13 and 14 have been added to introduce readers to these concepts and associated techniques Artificial intelligence is making its impact in all engineering applications and power system protection is no exception Expert systems fuzzy logic artificial neural networks adaptive and integrated protection synchronized measurements using the global positioning system genetic algorithms flexible a c transmission systems are some of the techniques considered in connection with protection Although many of these techniques have not yet found major application in protection it is nevertheless essential for the educated protection engineer to have a basic understanding of the underlying principles and methodology so that he or she can evaluate their suitability for new relaying problems and applications Chapter 15 was therefore added to guide readers through this developing area I have also added some new material in other chapters to reflect changes over the past years

Electric Club Journal ,1924 The Brown Boveri Review ,1985 **The Journal of the Engineering Institute of Canada** Engineering Institute of Canada,1929 *Secretary's Report* ,1921 **Proceedings** ,1959 **Federal Register** ,1965
The Railway Engineer ,1909 The Electrical Journal ,1910 **Chicago Daily News Almanac and Political Register** ,1925 *University of Virginia Record* ,1929 *Harvard Alumni Bulletin* ,1925 **Statement of Disbursements of the House as Compiled by the Chief Administrative Officer from ...** United States. Congress. House,2002 Covers receipts and expenditures of appropriations and other funds The Round Table ,1900 *The Daily News Almanac and Political Register for ...* ,1915

When people should go to the ebook stores, search inauguration by shop, shelf by shelf, it is in fact problematic. This is why we provide the ebook compilations in this website. It will enormously ease you to see guide **21 Distance Relay T** as you such as.

By searching the title, publisher, or authors of guide you in reality want, you can discover them rapidly. In the house, workplace, or perhaps in your method can be all best area within net connections. If you purpose to download and install the 21 Distance Relay T, it is categorically easy then, since currently we extend the member to buy and make bargains to download and install 21 Distance Relay T hence simple!

<https://py.bijouxmedusa.com/About/book-search/HomePages/Dropshipping%20Business%20Examples%20For%20Creators%20048%20590%20Dropshipping%20Business.pdf>

Table of Contents 21 Distance Relay T

1. Understanding the eBook 21 Distance Relay T
 - The Rise of Digital Reading 21 Distance Relay T
 - Advantages of eBooks Over Traditional Books
2. Identifying 21 Distance Relay T
 - Exploring Different Genres
 - Considering Fiction vs. Non-Fiction
 - Determining Your Reading Goals
3. Choosing the Right eBook Platform
 - Popular eBook Platforms
 - Features to Look for in an 21 Distance Relay T
 - User-Friendly Interface
4. Exploring eBook Recommendations from 21 Distance Relay T
 - Personalized Recommendations
 - 21 Distance Relay T User Reviews and Ratings

- 21 Distance Relay T and Bestseller Lists
- 5. Accessing 21 Distance Relay T Free and Paid eBooks
 - 21 Distance Relay T Public Domain eBooks
 - 21 Distance Relay T eBook Subscription Services
 - 21 Distance Relay T Budget-Friendly Options
- 6. Navigating 21 Distance Relay T eBook Formats
 - ePub, PDF, MOBI, and More
 - 21 Distance Relay T Compatibility with Devices
 - 21 Distance Relay T Enhanced eBook Features
- 7. Enhancing Your Reading Experience
 - Adjustable Fonts and Text Sizes of 21 Distance Relay T
 - Highlighting and Note-Taking 21 Distance Relay T
 - Interactive Elements 21 Distance Relay T
- 8. Staying Engaged with 21 Distance Relay T
 - Joining Online Reading Communities
 - Participating in Virtual Book Clubs
 - Following Authors and Publishers 21 Distance Relay T
- 9. Balancing eBooks and Physical Books 21 Distance Relay T
 - Benefits of a Digital Library
 - Creating a Diverse Reading Collection 21 Distance Relay T
- 10. Overcoming Reading Challenges
 - Dealing with Digital Eye Strain
 - Minimizing Distractions
 - Managing Screen Time
- 11. Cultivating a Reading Routine 21 Distance Relay T
 - Setting Reading Goals 21 Distance Relay T
 - Carving Out Dedicated Reading Time
- 12. Sourcing Reliable Information of 21 Distance Relay T
 - Fact-Checking eBook Content of 21 Distance Relay T
 - Distinguishing Credible Sources

13. Promoting Lifelong Learning
 - Utilizing eBooks for Skill Development
 - Exploring Educational eBooks
14. Embracing eBook Trends
 - Integration of Multimedia Elements
 - Interactive and Gamified eBooks

21 Distance Relay T Introduction

In the digital age, access to information has become easier than ever before. The ability to download 21 Distance Relay T has revolutionized the way we consume written content. Whether you are a student looking for course material, an avid reader searching for your next favorite book, or a professional seeking research papers, the option to download 21 Distance Relay T has opened up a world of possibilities. Downloading 21 Distance Relay T provides numerous advantages over physical copies of books and documents. Firstly, it is incredibly convenient. Gone are the days of carrying around heavy textbooks or bulky folders filled with papers. With the click of a button, you can gain immediate access to valuable resources on any device. This convenience allows for efficient studying, researching, and reading on the go. Moreover, the cost-effective nature of downloading 21 Distance Relay T has democratized knowledge. Traditional books and academic journals can be expensive, making it difficult for individuals with limited financial resources to access information. By offering free PDF downloads, publishers and authors are enabling a wider audience to benefit from their work. This inclusivity promotes equal opportunities for learning and personal growth. There are numerous websites and platforms where individuals can download 21 Distance Relay T. These websites range from academic databases offering research papers and journals to online libraries with an expansive collection of books from various genres. Many authors and publishers also upload their work to specific websites, granting readers access to their content without any charge. These platforms not only provide access to existing literature but also serve as an excellent platform for undiscovered authors to share their work with the world. However, it is essential to be cautious while downloading 21 Distance Relay T. Some websites may offer pirated or illegally obtained copies of copyrighted material. Engaging in such activities not only violates copyright laws but also undermines the efforts of authors, publishers, and researchers. To ensure ethical downloading, it is advisable to utilize reputable websites that prioritize the legal distribution of content. When downloading 21 Distance Relay T, users should also consider the potential security risks associated with online platforms. Malicious actors may exploit vulnerabilities in unprotected websites to distribute malware or steal personal information. To protect themselves, individuals should ensure their devices have reliable antivirus software installed and validate the legitimacy of the websites they are downloading from. In conclusion, the ability

to download 21 Distance Relay T has transformed the way we access information. With the convenience, cost-effectiveness, and accessibility it offers, free PDF downloads have become a popular choice for students, researchers, and book lovers worldwide. However, it is crucial to engage in ethical downloading practices and prioritize personal security when utilizing online platforms. By doing so, individuals can make the most of the vast array of free PDF resources available and embark on a journey of continuous learning and intellectual growth.

FAQs About 21 Distance Relay T Books

How do I know which eBook platform is the best for me? Finding the best eBook platform depends on your reading preferences and device compatibility. Research different platforms, read user reviews, and explore their features before making a choice. Are free eBooks of good quality? Yes, many reputable platforms offer high-quality free eBooks, including classics and public domain works. However, make sure to verify the source to ensure the eBook credibility. Can I read eBooks without an eReader? Absolutely! Most eBook platforms offer webbased readers or mobile apps that allow you to read eBooks on your computer, tablet, or smartphone. How do I avoid digital eye strain while reading eBooks? To prevent digital eye strain, take regular breaks, adjust the font size and background color, and ensure proper lighting while reading eBooks. What the advantage of interactive eBooks? Interactive eBooks incorporate multimedia elements, quizzes, and activities, enhancing the reader engagement and providing a more immersive learning experience. 21 Distance Relay T is one of the best book in our library for free trial. We provide copy of 21 Distance Relay T in digital format, so the resources that you find are reliable. There are also many Ebooks of related with 21 Distance Relay T. Where to download 21 Distance Relay T online for free? Are you looking for 21 Distance Relay T PDF? This is definitely going to save you time and cash in something you should think about. If you trying to find then search around for online. Without a doubt there are numerous these available and many of them have the freedom. However without doubt you receive whatever you purchase. An alternate way to get ideas is always to check another 21 Distance Relay T. This method for see exactly what may be included and adopt these ideas to your book. This site will almost certainly help you save time and effort, money and stress. If you are looking for free books then you really should consider finding to assist you try this. Several of 21 Distance Relay T are for sale to free while some are payable. If you arent sure if the books you would like to download works with for usage along with your computer, it is possible to download free trials. The free guides make it easy for someone to free access online library for download books to your device. You can get free download on free trial for lots of books categories. Our library is the biggest of these that have literally hundreds of thousands of different products categories represented. You will also see that there are specific sites catered to different product types or categories, brands or niches related with 21 Distance Relay T. So

depending on what exactly you are searching, you will be able to choose e books to suit your own need. Need to access completely for Campbell Biology Seventh Edition book? Access Ebook without any digging. And by having access to our ebook online or by storing it on your computer, you have convenient answers with 21 Distance Relay T To get started finding 21 Distance Relay T, you are right to find our website which has a comprehensive collection of books online. Our library is the biggest of these that have literally hundreds of thousands of different products represented. You will also see that there are specific sites catered to different categories or niches related with 21 Distance Relay T So depending on what exactly you are searching, you will be able to choose ebook to suit your own need. Thank you for reading 21 Distance Relay T. Maybe you have knowledge that, people have search numerous times for their favorite readings like this 21 Distance Relay T, but end up in harmful downloads. Rather than reading a good book with a cup of coffee in the afternoon, instead they juggled with some harmful bugs inside their laptop. 21 Distance Relay T is available in our book collection an online access to it is set as public so you can download it instantly. Our digital library spans in multiple locations, allowing you to get the most less latency time to download any of our books like this one. Merely said, 21 Distance Relay T is universally compatible with any devices to read.

Find 21 Distance Relay T :

dropshipping business examples for creators 48-590 dropshipping business recipes best practices for entrepreneurs 48-2482 healthy recipes best
48-973 VPN services software for entrepreneurs 48-205 VPN services
America 48-2562 affiliate marketing step by step for entrepreneurs
market trends for entrepreneurs 48-531 stock market tutorial United
study America 48-602 productivity hacks case study USA 48-1730
examples America 48-304 interview tips examples USA 48-1874 interview
automation for beginners for small business 48-219 business automation
hacks step by step for startups 48-753 productivity hacks strategies USA
creators 48-1674 career growth review for small business 48-1245 career
monetization blueprint USA 48-2157 blog monetization blueprint United
48-1114 blog monetization ideas United States 48-1503 blog monetization
comparison for creators 48-282 Instagram growth comparison for creators
for small business 48-2438 content marketing tutorial for startups
for creators 48-2957 retirement planning trends America 48-1280

21 Distance Relay T :

the 21st century parent multicultural parent - Jul 22 2023

the 21st century parent emphatically remind us that the missing ingredient in closing the gaps in achievement is heaping measure of parent engagement and community this is one of a

parenting and friendships in the 21st century educating 21st - May 08 2022

the 21st century parent multicultural parent engagement leadership strategies handbook making choices for multicultural education feb 16 2021 this leading text examines the

the 21st century parent multicultural parent engagement - Apr 07 2022

the 21st century parent multicultural parent engagement leadership strategies handbook as recognized adventure as without difficulty as experience practically lesson amusement as

the 21st century parent multicultural parent engagement - Jun 09 2022

the 21st century parent multicultural parent engagement leadership strategies handbook curriculum leadership teaching tools for the 21st century the 21st century parent

the 21st century parent multicultural parent engagement - Sep 24 2023

the 21st century parent multicultural parent engagement leadership strategies handbook johnson mary free download borrow and streaming internet archive the 21st century

the 21st century parent multicultural parent engagement - Feb 05 2022

the 21st century parent multicultural parent engagement leadership strategies handbook mary johnson electronic resource

the 21st century parent multicultural parent engagement - Jun 21 2023

the 21st century parent emphatically remind us that the missing ingredient in closing the gaps in achievement is heaping measure of parent engagement and community this is one of a

the 21st century parent multicultural parent engagement - Dec 03 2021

the 21st century parent multicultural parent engagement - Mar 06 2022

at the same time many institutions are seeking more engagement with families of low income and first generation students who often may not understand college culture this issue brief

the 21st century parent multicultural parent engagement - May 20 2023

the 21st century parent multicultural parent engagement leadership strategies handbook ebook written by mary johnson read this book using google play books app on

managing the 21st century parent how colleges partnerships - Jan 04 2022

the 21st century parent multicultural parent engagement - Dec 15 2022

the 21st century parent emphatically remind us that the missing ingredient in closing the gaps the 21st century parent multicultural parent engagement leadership strategies

the 21st century parent multicultural parent engagement - Aug 11 2022

the item the 21st century parent multicultural parent engagement leadership strategies handbook mary johnson electronic resource represents a specific individual material

the 21st century parent multicultural parent engagement - Nov 14 2022

the digital and etextbook isbn 9781617358555 161735855x and the

the 21st century parent multicultural parent engagement - Sep 12 2022

search the for website expand more articles find articles in journals magazines newspapers and more catalog explore books music movies and more databases locate databases by

the 21st century parent multicultural parent engagement - Apr 19 2023

select search scope currently catalog all catalog articles website more in one search catalog books media more in the stanford libraries collections articles journal articles

the 21st century parent multicultural parent engagement - Mar 18 2023

the 21st century parent multicultural parent engagement leadership strategies handbook hc johnson mary amazon com au books

the 21st century parent multicultural parent - Feb 17 2023

abebooks com the 21st century parent multicultural parent engagement leadership strategies handbook hc 9781617358548 by johnson mary and a great selection of

the 21st century parent multicultural parent engagement - Oct 13 2022

buy the 21st century parent multicultural parent engagement leadership strategies handbook by mary johnson online at alibris we have new and used copies available in 2

the 21st century parent multicultural parent engagement - Aug 23 2023

nov 1 2012 the 21st century parent multicultural parent engagement leadership strategies handbook author mary johnson publisher iap 2012 isbn 161735855x

the 21st century parent multicultural parent engagement - Jul 10 2022

parenting in the 21st century parents often feel enormous pressure to help their children succeed whether it be in making friends at school or beyond 2017 41 and engage in

the 21st century parent multicultural parent engagement - Jan 16 2023

aug 3 2012 the 21st century parent emphatically remind us that the missing ingredient in closing the gaps in achievement is heaping measure of parent engagement and community

ebook basic truths 1 3 pre order anyflip - Jul 22 2022

web nov 27 2020 download basic truths 1 3 full collection download basic truths 1 3 book read basic truths 1 3 ebook basic truths 1 3 pdf download online basic truths 1 3 pdf read online basic truths 1 3 read download basic

basic truths bible org - May 20 2022

web feb 2 2009 as we look at the cross and interpret it with the help of the holy spirit and in the light of what the bible says about it we see many truths that are basic to personal religion god condones nothing but judges all sin as it deserves which scripture affirms and my conscience confirms to be right my sins merit ultimate penal suffering and

page couldn t load instagram - Apr 18 2022

web page couldn t load instagram something went wrong there s an issue and the page could not be loaded reload page 12k likes 40 comments godsworkeam on october 26 2023 simply jesus there s so much to that short statement and this ageless truth

basic truths 1 3 abebooks - Sep 23 2022

web religion doctrine and practice for use in catholic high schools all the basic truths practices of the faith in question answer format lessons can be spread out over 4 yrs pt 1 christian ideal the commandments pt 2 means of grace pt 3 apostles s creed by cassilly fr francis sj and a great selection of related books art and

basic truths 1 3 controlplane themintgaming - Mar 18 2022

web discovering the basic truths of christianity covers the major biblical tenets including faith baptism knowing jesus as savior forgiveness repentance from sin the resurrection and many others

basic truths 1 3 english paperback betts bambi flipkart - Nov 25 2022

web basic truths 1 3 by betts bambi from flipkart com only genuine products 30 day replacement guarantee free shipping cash on delivery

basic truths 1 3 by bambi betts alibris - Oct 25 2022

web buy basic truths 1 3 by bambi betts online at alibris we have new and used copies available in 1 editions starting at 4 17 shop now

basic truths 1 3 by bambi betts paperback barnes noble - Apr 30 2023

web apr 29 2008 1 god is 2 why in the world 3 growing the first set in our popular series of books for very young children in one book basic truths 1 3 64 by bambi betts view more add to wishlist basic truths 1 3 64 by bambi betts view more paperback 9 95 paperback

basic truths 1 3 betts bambi amazon com be books - Jan 28 2023

web select the department you want to search in

basic truths 1 3 by betts bambi amazon ae - Feb 26 2023

web buy basic truths 1 3 by betts bambi online on amazon ae at best prices fast and free shipping free returns cash on delivery available on eligible purchase

download ebook basic truths 1 3 full yumpu - Aug 23 2022

web pdf download basic truths 1 3 ebook read online link read download and more info manbookgalery com 0853985235

download basic truths 1 3 read ebook

basic truths 1 3 sgsbenelux internalpublications com - Oct 05 2023

web onslaught of noise and distractions yet set within the musical pages of basic truths 1 3 a captivating function of fictional elegance that pulses with fresh feelings lies an unforgettable trip waiting to be embarked upon published by a

basic truths 1 3 by bambi betts goodreads - Jul 02 2023

web jan 1 2008 1 god is 2 why in the world 3 growing the first set in our popular series of books for very young children in one book designed to help parents teach their children some of the abstract ideas enshrined in the bahá í teachings each booklet provides the basic vocabulary and concepts needed

basic truths 1 3 betts bambi 9780853985235 amazon com - Aug 03 2023

web apr 1 2008 basic truths 1 3 betts bambi on amazon com free shipping on qualifying offers basic truths 1 3

basic truths 1 3 betts bambi 9780853985235 abebooks - Dec 27 2022

web abebooks com basic truths 1 3 9780853985235 by betts bambi and a great selection of similar new used and collectible books available now at great prices

basic truths th hristia aith bsfblog org - Jun 20 2022

web it is sinful to lie cheat steal or disobey our parents 2 sin is a condition every person inherits from adam 3 apart from christ all people are slaves to sin and satan living to please only themselves 4 levticus 5 171 exodus 20 1 172 romans 5 12 193 john 8 344 basic truth 7 how can people know how to please god if they are born sinful

10 fundamental truths that will change your life success - Feb 14 2022

web jul 9 2022 when you forgive someone it doesn t condone their actions it simply frees you from being their eternal victim 7 live in the moment you can t reach your full potential until you learn to

[basic truths 1 3 betts bambi amazon sg books](#) - Sep 04 2023

web hello sign in account lists returns orders cart

basic truths 1 3 betts bambi 9780853985235 amazon com au - Jun 01 2023

web basic truths 1 3 betts bambi on amazon com au free shipping on eligible orders basic truths 1 3

basic truths 1 3 a book by bambi betts bookshop - Mar 30 2023

web 1 god is 2 why in the world 3 growing the first set in our popular series of books for very young children in one book designed to help parents teach their children some of the abstract ideas enshrined in the bah teachings each booklet provides the basic vocabulary and concepts needed

downloadable free pdfs yo vendi hielo a un esquimal - Oct 24 2021

cómo vender hielo a un esquimal enrique f brull - Jul 01 2022

web jun 26 2023 yo vendí hielo a un esquimal es una introducción a técnicas de venta basadas en principios psicológicos que rompe con todos los moldes de la típica

yo vendí hielo a un esquimal con samuel - Aug 02 2022

web yo vendi hielo a un esquimal tecnicas de venta ps is available in our book collection an online access to it is set as public so you can download it instantly our books

yo vendi hielo a un esquimal tecnicas de venta ps copy - Sep 22 2021

yo vendí hielo a un esquimal técnicas de venta psicológica para - Dec 06 2022

web yo vendí hielo a un esquimal es una introducción a técnicas de venta basadas en principios psicológicos que rompe con todos los moldes de la típica enseñanza

yo vendí hielo a un esquimal técnicas de venta psicológica para - Nov 05 2022

web buy yo vendí hielo a un esquimal técnicas de venta psicológica para principiantes y para los no tan principiantes by online on amazon ae at best prices fast and free shipping free returns cash on delivery available on eligible purchase

yo vendí hielo a un esquimal técnicas de venta jkr psicológica - Aug 14 2023

web yo vendí hielo a un esquimal técnicas de venta jkr psicológica uploaded by oinostro april 2020 pdf bookmark download this document was uploaded by user and they

[yo vendi hielo a un esquimal tecnicas de venta ps pdf sql](#) - Jan 27 2022

web yo vendi hielo a un esquimal tecnicas de venta ps global reach nov 01 2020 yo vendí hielo a un esquimal feb 02 2021 yo vendí hielo a un esquimal es una

yo vendí hielo a un esquimal técnicas de venta ps full pdf - Apr 29 2022

web 4 yo vendí hielo a un esquimal técnicas de venta ps 2020 01 26 durante el período más violento de la guerra terrorista desatada por sendero luminoso le confiesa

cómo vender hielo a un esquimal reinventa tu marketing - Feb 08 2023

web libro yo vendí hielo a un esquimal técnicas de venta psicológica para principiantes y para los no tan principiantes por samuel santiago pdf imagina a un don nadie un

yo vendí hielo a un esquimal técnicas de venta psicológica para - Sep 03 2022

web compra en amazon físico y digital aquí amazon es vend c3 ad hielo esquimal psicol c3 b3gica principiantes ebook descarga primer capítulo gratis a

yo vendí hielo a un esquimal técnicas de venta - Jul 13 2023

web yo vendí hielo a un esquimal técnicas de venta psicológica para principiantes y para los no tan principiantes por samuel santiago libro e book en pdf imagina a un don

yo vendí hielo a un esquimal técnicas de venta psicológica - Apr 10 2023

web yo vendí hielo a un esquimal sobre el autor prólogo i el fascinante mundo de la venta desde el punto de vista psicológico ii elocuencia el poder de la palabra al servicio de

descarga yo vendí hielo a un esquimal técnicas de venta - Feb 25 2022

web yo vendí hielo a un esquimal técnicas de venta ps le he puesto tu nombre a un caracol jul 09 2021 dormir inteligente 21 estrategias para descansar sentirse

yo vendí hielo a un esquimal técnicas de venta - Oct 04 2022

web y así se vende hielo a un esquimal cómo se lo venderías tu tweet it está claro que no saldrá tan rentable como venderle el hielo directamente pero sería una salida viable y que seguro el esquimal agradecería

yo vendí hielo a un esquimal técnicas de venta ps copy - Nov 24 2021

libro yo vendí hielo a un esquimal psicoventa - Dec 26 2021

web nov 9 2022 esquimal en el infierno de hielo de groenlandia bajo este argumento arranca el libro yo vendí hielo a un esquimal una historia revolucionaria contada

yo vendí hielo a un esquimal técnicas de venta psicológica - Jun 12 2023

web amazon devoluciones se puede devolver en un plazo de 30 días a partir de la fecha de recepción el producto se puede devolver en su condición original para obtener un reembolso completo o un reemplazo en un plazo de 30 días a partir de la fecha de recepción leer la política de devoluciones completa opciones de regalo añadir al

[libro yo vendí hielo a un esquimal por samuel santiago pdf](#) - Jan 07 2023

web yo vendí hielo a un esquimal es una introducción a técnicas de venta basadas en principios psicológicos que rompe con todos los moldes de la típica enseñanza cansina

yo vendí hielo a un esquimal booktrailer youtube - May 31 2022

web jan 19 2020 yo vendí hielo a un esquimal es una introducción a técnicas de venta basadas en principios psicológicos que rompe con todos los moldes de la típica enseñanza cansina si tu trabajo está relacionado de algún modo con el mundo de la venta aprenderás de forma no aburrida valiosas palancas psicológicas que te ayudarán a

yo vendí hielo a un esquimal técnicas de venta psicológica para - May 11 2023

web nov 15 2018 yo vendí hielo a un esquimal técnicas de venta psicológica para samuel santiago google books yo vendí hielo a un esquimal es una introducción a

yo vendí hielo a un esquimal técnicas de venta psicológica - Mar 29 2022

web un grupo formado por los 5 mejores vendedores del mundo tendrá que demostrar que es posible vender hielo a un esquimal en el infierno de hielo de groenlandia bajo este

[yo vendí hielo a un esquimal experto en venta telefónica](#) - Mar 09 2023

web cómo vender hielo a un esquimal es un método para vender productos o servicios a clientes que ya disponen de ellos Éste debería ser el post más leído de mi blog porque salvo cuando visitas un cliente con una empresa de nueva constitución el resto ya dispone del producto que tú le piensas vender