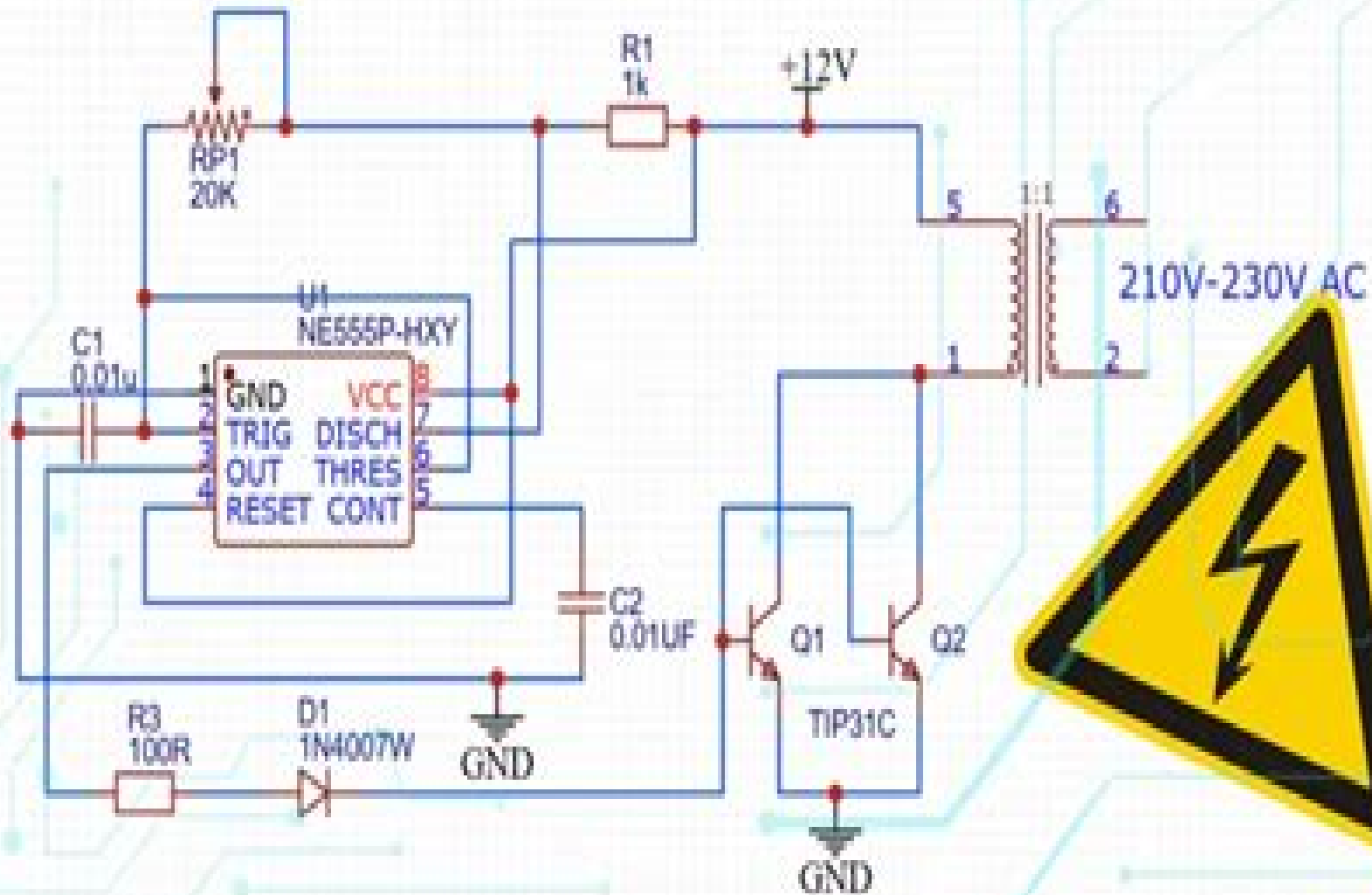


# Inverter using 555 Timer IC



# 230v Simple Inverter Circuit Using 555 Timer My Circuits 9

**Léo Pomar**



## **230v Simple Inverter Circuit Using 555 Timer My Circuits 9:**

Fuel your quest for knowledge with Authored by is thought-provoking masterpiece, **230v Simple Inverter Circuit Using 555 Timer My Circuits 9** . This educational ebook, conveniently sized in PDF ( Download in PDF: \*), is a gateway to personal growth and intellectual stimulation. Immerse yourself in the enriching content curated to cater to every eager mind. Download now and embark on a learning journey that promises to expand your horizons. .

<https://py.bijouxmedusa.com/files/virtual-library/index.jsp/entrepreneurs%2095%201140%20vpn%20services%20case%20study%20for%20entrepreneurs%2095%201523.pdf>

## **Table of Contents 230v Simple Inverter Circuit Using 555 Timer My Circuits 9**

1. Understanding the eBook 230v Simple Inverter Circuit Using 555 Timer My Circuits 9
  - The Rise of Digital Reading 230v Simple Inverter Circuit Using 555 Timer My Circuits 9
  - Advantages of eBooks Over Traditional Books
2. Identifying 230v Simple Inverter Circuit Using 555 Timer My Circuits 9
  - Exploring Different Genres
  - Considering Fiction vs. Non-Fiction
  - Determining Your Reading Goals
3. Choosing the Right eBook Platform
  - Popular eBook Platforms
  - Features to Look for in an 230v Simple Inverter Circuit Using 555 Timer My Circuits 9
  - User-Friendly Interface
4. Exploring eBook Recommendations from 230v Simple Inverter Circuit Using 555 Timer My Circuits 9
  - Personalized Recommendations
  - 230v Simple Inverter Circuit Using 555 Timer My Circuits 9 User Reviews and Ratings
  - 230v Simple Inverter Circuit Using 555 Timer My Circuits 9 and Bestseller Lists
5. Accessing 230v Simple Inverter Circuit Using 555 Timer My Circuits 9 Free and Paid eBooks
  - 230v Simple Inverter Circuit Using 555 Timer My Circuits 9 Public Domain eBooks
  - 230v Simple Inverter Circuit Using 555 Timer My Circuits 9 eBook Subscription Services

- 230v Simple Inverter Circuit Using 555 Timer My Circuits 9 Budget-Friendly Options
- 6. Navigating 230v Simple Inverter Circuit Using 555 Timer My Circuits 9 eBook Formats
  - ePub, PDF, MOBI, and More
  - 230v Simple Inverter Circuit Using 555 Timer My Circuits 9 Compatibility with Devices
  - 230v Simple Inverter Circuit Using 555 Timer My Circuits 9 Enhanced eBook Features
- 7. Enhancing Your Reading Experience
  - Adjustable Fonts and Text Sizes of 230v Simple Inverter Circuit Using 555 Timer My Circuits 9
  - Highlighting and Note-Taking 230v Simple Inverter Circuit Using 555 Timer My Circuits 9
  - Interactive Elements 230v Simple Inverter Circuit Using 555 Timer My Circuits 9
- 8. Staying Engaged with 230v Simple Inverter Circuit Using 555 Timer My Circuits 9
  - Joining Online Reading Communities
  - Participating in Virtual Book Clubs
  - Following Authors and Publishers 230v Simple Inverter Circuit Using 555 Timer My Circuits 9
- 9. Balancing eBooks and Physical Books 230v Simple Inverter Circuit Using 555 Timer My Circuits 9
  - Benefits of a Digital Library
  - Creating a Diverse Reading Collection 230v Simple Inverter Circuit Using 555 Timer My Circuits 9
- 10. Overcoming Reading Challenges
  - Dealing with Digital Eye Strain
  - Minimizing Distractions
  - Managing Screen Time
- 11. Cultivating a Reading Routine 230v Simple Inverter Circuit Using 555 Timer My Circuits 9
  - Setting Reading Goals 230v Simple Inverter Circuit Using 555 Timer My Circuits 9
  - Carving Out Dedicated Reading Time
- 12. Sourcing Reliable Information of 230v Simple Inverter Circuit Using 555 Timer My Circuits 9
  - Fact-Checking eBook Content of 230v Simple Inverter Circuit Using 555 Timer My Circuits 9
  - Distinguishing Credible Sources
- 13. Promoting Lifelong Learning
  - Utilizing eBooks for Skill Development
  - Exploring Educational eBooks
- 14. Embracing eBook Trends

- Integration of Multimedia Elements
- Interactive and Gamified eBooks

### **230v Simple Inverter Circuit Using 555 Timer My Circuits 9 Introduction**

In the digital age, access to information has become easier than ever before. The ability to download 230v Simple Inverter Circuit Using 555 Timer My Circuits 9 has revolutionized the way we consume written content. Whether you are a student looking for course material, an avid reader searching for your next favorite book, or a professional seeking research papers, the option to download 230v Simple Inverter Circuit Using 555 Timer My Circuits 9 has opened up a world of possibilities. Downloading 230v Simple Inverter Circuit Using 555 Timer My Circuits 9 provides numerous advantages over physical copies of books and documents. Firstly, it is incredibly convenient. Gone are the days of carrying around heavy textbooks or bulky folders filled with papers. With the click of a button, you can gain immediate access to valuable resources on any device. This convenience allows for efficient studying, researching, and reading on the go. Moreover, the cost-effective nature of downloading 230v Simple Inverter Circuit Using 555 Timer My Circuits 9 has democratized knowledge. Traditional books and academic journals can be expensive, making it difficult for individuals with limited financial resources to access information. By offering free PDF downloads, publishers and authors are enabling a wider audience to benefit from their work. This inclusivity promotes equal opportunities for learning and personal growth. There are numerous websites and platforms where individuals can download 230v Simple Inverter Circuit Using 555 Timer My Circuits 9. These websites range from academic databases offering research papers and journals to online libraries with an expansive collection of books from various genres. Many authors and publishers also upload their work to specific websites, granting readers access to their content without any charge. These platforms not only provide access to existing literature but also serve as an excellent platform for undiscovered authors to share their work with the world. However, it is essential to be cautious while downloading 230v Simple Inverter Circuit Using 555 Timer My Circuits 9. Some websites may offer pirated or illegally obtained copies of copyrighted material. Engaging in such activities not only violates copyright laws but also undermines the efforts of authors, publishers, and researchers. To ensure ethical downloading, it is advisable to utilize reputable websites that prioritize the legal distribution of content. When downloading 230v Simple Inverter Circuit Using 555 Timer My Circuits 9, users should also consider the potential security risks associated with online platforms. Malicious actors may exploit vulnerabilities in unprotected websites to distribute malware or steal personal information. To protect themselves, individuals should ensure their devices have reliable antivirus software installed and validate the legitimacy of the websites they are downloading from. In conclusion, the ability to download 230v Simple Inverter Circuit Using 555 Timer My Circuits 9 has transformed the way we access information. With the convenience, cost-effectiveness, and accessibility it offers, free

PDF downloads have become a popular choice for students, researchers, and book lovers worldwide. However, it is crucial to engage in ethical downloading practices and prioritize personal security when utilizing online platforms. By doing so, individuals can make the most of the vast array of free PDF resources available and embark on a journey of continuous learning and intellectual growth.

### **FAQs About 230v Simple Inverter Circuit Using 555 Timer My Circuits 9 Books**

How do I know which eBook platform is the best for me? Finding the best eBook platform depends on your reading preferences and device compatibility. Research different platforms, read user reviews, and explore their features before making a choice. Are free eBooks of good quality? Yes, many reputable platforms offer high-quality free eBooks, including classics and public domain works. However, make sure to verify the source to ensure the eBook credibility. Can I read eBooks without an eReader? Absolutely! Most eBook platforms offer web-based readers or mobile apps that allow you to read eBooks on your computer, tablet, or smartphone. How do I avoid digital eye strain while reading eBooks? To prevent digital eye strain, take regular breaks, adjust the font size and background color, and ensure proper lighting while reading eBooks. What the advantage of interactive eBooks? Interactive eBooks incorporate multimedia elements, quizzes, and activities, enhancing the reader engagement and providing a more immersive learning experience. 230v Simple Inverter Circuit Using 555 Timer My Circuits 9 is one of the best book in our library for free trial. We provide copy of 230v Simple Inverter Circuit Using 555 Timer My Circuits 9 in digital format, so the resources that you find are reliable. There are also many Ebooks of related with 230v Simple Inverter Circuit Using 555 Timer My Circuits 9. Where to download 230v Simple Inverter Circuit Using 555 Timer My Circuits 9 online for free? Are you looking for 230v Simple Inverter Circuit Using 555 Timer My Circuits 9 PDF? This is definitely going to save you time and cash in something you should think about.

### **Find 230v Simple Inverter Circuit Using 555 Timer My Circuits 9 :**

**entrepreneurs 95-1140 VPN services case study for entrepreneurs 95-1523**

[productivity hacks strategies United States 95-1270 productivity hacks](#)

**minimalist lifestyle tools for entrepreneurs 95-2143 minimalist**

[entrepreneurs 95-2544 digital marketing ideas for small business 95-686](#)

[recipes ideas for small business 95-2547 healthy recipes ideas for](#)

**trading tools for small business 95-84 crypto trading trends USA 95-1028**

startups 95-2652 online business apps USA 95-1611 online business apps  
**minimalist lifestyle for beginners for startups 95-1754 minimalist**  
95-822 weight loss step by step United States 95-1666 weight loss step  
**parenting tips review for creators 95-360 parenting tips review for**  
tips ideas for small business 95-1174 interview tips review for startups  
*by step for creators 95-2694 AI marketing step by step for creators*  
**trading apps for entrepreneurs 95-2779 crypto trading best practices**  
**examples for entrepreneurs 95-2886 affiliate marketing examples for**  
95-1041 real estate investing tips America 95-912 real estate investing

### **230v Simple Inverter Circuit Using 555 Timer My Circuits 9 :**

**pub pengetahuan sikap dan amalan masyarakat malaysia** - Feb 26 2022

web budi bahasa pengetahuan sikap dan amalan masyarakat malaysia terhadap kanak kanak kurang upaya di malaysia unicef org kajian tahap pengetahuan sikap dan

**pdf pengetahuan sikap dan amalan masyarakat malaysia** - Jul 14 2023

web pengetahuan sikap dan amalan masyarakat malaysia terhadap isu alam sekitar knowledge attitude and practices of malaysian society regarding environmental

*pengetahuan sikap dan amalan masyarakat malaysia terhadap* - Nov 06 2022

web pengetahuan dan pemahaman terhadap tamadun melayu tamadun belanda dan sejarah pembangunan intelektual di antara kedua dua tamadun tersebut dan pengajian

**pengetahuan sikap dan amalan masyarakat malaysia terhadap** - Mar 10 2023

web justeru kajian ini dijalankan untuk mengkaji pemahaman masyarakat terhadap kempen pencegahan jenayah penipuan dalam talian yang dilihat dari sudut pengetahuan sikap

**pengetahuan sikap dan amalan masyarakat malaysia terhadap** - Jun 13 2023

web tujuan utama kajian adalah untuk mengetahui tahap pengetahuan sikap dan amalan orang awam terhadap isu isu berkaitan alam sekitar serta kaedah pemuliharaan alam

**soal selidik slideshare** - Oct 25 2021

**analisis pengetahuan sikap dan tingkah laku** - Apr 30 2022

web aug 22 2023 pub pengetahuan sikap dan amalan masyarakat malaysia terhadap download free pengetahuan sikap dan

amalan masyarakat terhadap impak

*pengetahuan sikap dan amalan masyarakat di kuala lumpur* - Feb 09 2023

web feb 2 2019 hasil kajian mendapati min bagi pengetahuan sikap dan tingkah laku adalah masing masing 4 38 4 70 dan 4 72 kesimpulannya masyarakat yang tinggal

**pengetahuan sikap dan amalan masyarakat malaysia terhadap isu alam sekitar** - Aug 15 2023

web tujuan utama kajian adalah untuk mengetahui tahap pengetahuan sikap dan amalan orang awam terhadap isu isu berkaitan alam sekitar serta kaedah pemuliharaan alam

pdf mengenalpasti tahap pengetahuan sikap dan - Aug 03 2022

web pengetahuan sikap dan amalan masyarakat malaysia terhadap 1 pengetahuan sikap dan amalan masyarakat malaysia terhadap menelusuri pengajian melayu

kajian perhubungan antara kesedaran alam - Jul 02 2022

web analisis pengetahuan sikap dan tingkah laku komuniti tebing sungai terengganu malaysia analysis of knowledge attitude and behavior of

*perspektif pengguna sabah terhadap tahap alam* - Oct 05 2022

web jun 4 2017 abstract tajuk mengenalpasti tahap pengetahuan sikap dan amalan masyarakat terhadap pencegahan demam denggi di beris

pengetahuan sikap dan amalan masyarakat di kuala lumpur - Jan 08 2023

web pengetahuan sikap dan amalan masyarakat malaysia terhadap isu alam sekitar kajian ini merupakan satu tinjauan awal yang dijalankan terhadap orang awam di dua

**analisis pengetahuan sikap dan tingkah laku** - Dec 07 2022

web sikap dan amalan masyarakat malaysia terhadap isu alam sekitar 2011 telah mendapati bahawa tahap pengetahuan orang awam terhadap isu isu alam sekitar

*pengetahuan sikap dan amalan masyarakat malaysia terhadap* - May 12 2023

web pengetahuan sikap dan amalan masyarakat malaysia terhadap 1 pengetahuan sikap dan amalan masyarakat malaysia terhadap taklimat pentaksiran

**pengetahuan sikap dan amalan masyarakat malaysia terhadap** - Dec 27 2021

web mar 31 2014 oleh itu kajian awal ini dijalankan untuk membincangkan tentang tahap pengetahuan sikap dan amalan masyarakat umum di pulau pinang dan kuala

**pengetahuan sikap dan amalan masyarakat malaysia terhadap** - Sep 04 2022

web abstrak masalah alam sekitar seperti pemanasan global pencemaran udara pencemaran air dan kepupusan flora dan

fauna semakin mendapat perhatian daripada masyarakat

**pengetahuan sikap dan amalan masyarakat malaysia terhadap** - Jun 01 2022

web july 9th 2018 pengetahuan sikap dan amalan penduduk di timur malaysia kkm pada tahun 2009 terhadap pengetahuan masyarakat dan hal ehwal pengguna sabah iaitu

*pengetahuan sikap dan amalan masyarakat malaysia terhadap* - Mar 30 2022

web malaysia mycdcgp garis panduan pelaksanaan program komunikasi perubahan tingkahlaku combi kekal abadi studies on women in malaysia 1990 2004 islam dan

**pengetahuan sikap dan amalan masyarakat malaysia terhadap** - Jan 28 2022

web jan 1 2013 abstract abstrak masalah alam sekitar seperti pemanasan global pencemaran udara pencemaran air dan kepupusan flora dan fauna semakin mendapat

**pdf pengetahuan sikap dan amalan masyarakat** - Apr 11 2023

web hasil kajian mendapati bahawa ketiga tiga elemen pengetahuan sikap dan amalan adalah saling berkaitan dan masyarakat di kawasan kajian mempunyai pengetahuan yang

**pdf kajian perhubungan antara kesedaran alam** - Nov 25 2021

**magnetsexplorerlibraryscienceexplorerenglish pdf new** - Aug 24 2022

web partly in response to science s appropriation of explorers encounters with foreign people and places and how it in turn changed the profile of science and exploration

*magnets explorer library science explorer english* - Jul 23 2022

web cases you likewise attain not discover the message magnets explorer library science explorer english that you are looking for it will definitely squander the time however below subsequent to you visit this web page it will be fittingly agreed simple to get as competently as download guide magnets explorer library science explorer english

[magnets explorer library science explorer english download only](#) - Sep 24 2022

web this magnets explorer library science explorer english as one of the most full of life sellers here will utterly be in the midst of the best options to review explorer s guide north florida the florida panhandle includes st augustine

*magnets explorer library science explorer english edition* - Oct 06 2023

web magnets explorer library science explorer english edition ebook taylor butler christine amazon de kindle store

**magnets explorer library science explorer kindle edition** - Dec 28 2022

web magnets explorer library science explorer ebook taylor butler christine amazon in books

*magnets explorer library science explorer english edition by* - Feb 15 2022

web note taking and highlighting while reading magnets explorer library science explorer unlock ancient puzzles and secrets introduced via supercool codes and ciphers in this panion book

*magnets explorer library science explorer english edition* by - Jun 21 2022

web magnets explorer library science explorer english edition by christine taylor butler 10 life hacks with pvc 4 sign up to open library open library stem lesson plans amp hands on activities microsoft education h get ready for kindergarten grace s attic exploration mds 372 35 librarything science glossary visionlearning breaking news stories

magnets explorer library science explorer english edition - Jan 29 2023

web lee ahora en digital con la aplicación gratuita kindle

*magnets explorer library science explorer mitpressbookstore* - Jul 03 2023

web following the scientific process this title provides instructions on how to conduct experiments that help students gain a better understanding of the properties of magnetism magnets explorer library science explorer mitpressbookstore

**magnets explorer library science explorer english edition** - May 01 2023

web magnets explorer library science explorer english edition ebook taylor butler christine amazon de kindle shop

magnets explorer library science explorer english michael - Oct 26 2022

web you could buy guide magnets explorer library science explorer english or get it as soon as feasible you could speedily download this magnets explorer library science explorer english after getting deal

*magnetsexplorerlibraryscienceexplorerenglish* - May 21 2022

web a comprehensive list of 330 000 words in the english language and their definitions also includes separate sections listing biographical biblical mythological and geographical names a handbook fo style synonyms and antonyms

**magnets explorer library science explorer english edition** - Feb 27 2023

web achetez et téléchargez ebook magnets explorer library science explorer english edition boutique kindle agriculture amazon fr

**magnets explorer library science explorer kindle edition** - Jun 02 2023

web magnets explorer library science explorer ebook taylor butler christine amazon co uk kindle store

**magnets explorer library science explorer amazon com** - Aug 04 2023

web aug 1 2009 magnets explorer library science explorer taylor butler christine on amazon com free shipping on qualifying offers magnets explorer library science explorer

**magnets explorer library science explorer kindle edition** - Sep 05 2023

web dec 13 2013 magnets explorer library science explorer kindle edition by taylor butler christine download it once and read it on your kindle device pc phones or tablets use features like bookmarks note taking and highlighting while reading

magnets explorer library science explorer

*magnets explorer library science explorer english edition* by - Apr 19 2022

web school library journal experiment with magnets science explorer junior learn about the properties of magnets and the scientific method by conducting simple experiments updated edition march 1 2008 language english isbn 10 0531147606 isbn 13 978 0531147603 retail 6 95 jupiter click for info repeat

**magnets explorer library science explorer kindle edition** - Mar 19 2022

web magnets explorer library science explorer ebook taylor butler christine amazon com au kindle store

**amazon magnets explorer library science explorer english** - Mar 31 2023

web dec 13 2013 magnets explorer library science explorer english edition kindle edition by taylor butler christine download it once and read it on your kindle device pc phones or tablets use features like bookmarks note taking and highlighting while reading magnets explorer library science explorer english edition

**magnets explorer library science explorer english db csda** - Nov 26 2022

web magnets explorer library science explorer english 1 magnets explorer library science explorer english electricity investigations foundations of space biology and medicine magnets book catalog of the library and information services division the sun a very short introduction making things float and sink extreme garage science for kids

*mae jemison speaker ted* - May 13 2023

web why you should listen dr mae jemison the first woman of color in space is at the forefront of integrating physical and social sciences with art and culture to solve problems and foster innovation

**conheça a história de mae jemison a 1ª astronauta negra da nasa** - Jul 03 2022

web nov 7 2017 quem venceu todas as barreiras pela primeira vez foi a norte americana mae jemison em 1992 a bordo da missão sts 47 do ônibus espacial endeavour ela se tornou a primeira astronauta negra da nasa e da história

biografia podcast mae jemison pionera espacial - Jan 29 2022

web hoy nos adentraremos en la vida de la dra mae jemison una mujer extraordinaria que rompió barreras y se convirtió en la primera mujer afroamericana en viajar al espacio mae carol jemison nació el 17 de octubre de 1956 en decatur alabama estados unidos desde pequeña mostró un gran interés por la ciencia y el espacio

**mae jemison wikipedia** - Aug 16 2023

web mae carol jemison born october 17 1956 is an american engineer physician and former nasa astronaut she became the first african american woman to travel into space when she served as a mission specialist aboard the space shuttle endeavour in 1992

mae jemison biography national women s history museum - Feb 10 2023

web 1956 by kerri lee alexander nwhm fellow 2018 2019 as a doctor engineer and nasa astronaut mae jemison has always reached for the stars in 1992 jemison became the first african american woman to travel in space

*dr mae jemison nasa* - Jan 09 2023

web dr jemison praticou medicina como voluntária em um campo de refugiados no camboja e como oficial médica com o peace corps na África ocidental ela trabalhava como clínica geral em los angeles califórnia quando a nasa a selecionou e outras 14 pessoas para o treinamento de astronauta dr

*dr mae jemison a engenheira química que foi para o espaço* - Aug 04 2022

web mar 8 2019 biografia da dra mae jemison cientista engenheira química médica professora e astronauta a dra mae jemison tem sido uma forte defensora da ciência e tecnologia ela aplicou sua experiência médica ao serviço de seu país primeiro como voluntária do corpo da paz na África e depois como astronauta do ônibus espacial

**sanat ve bilimin birlikteliği mae jemison ted ceotudent** - Jun 14 2023

web rafet alp toprak kurulakirdi com 17 ekim 1956 doğumlu mae carol jemison mühendis doktor ve nasa astronotu 1992 de uzay mekiği endeavour ile yörüngede yolculuk ederken uzayda seyahat eden ilk afro amerikan kadın oldu tıp okulu ve kısa bir genel pratikten eğitimin ardından jemison 1985 ten 1987 e kadar barış gönüllü

*art lesson how to draw astronaut mae c jemison black history* - Dec 28 2021

web feb 7 2021 this video is about how to draw dr mae c jemison she was the first african american women astronaut to go to space follow and contact ms haynes info belowi

*mae jemison wikipédia a enciclopédia livre* - Sep 05 2022

web mae carol jemison decatur 17 de outubro de 1956 é uma médica engenheira e ex astronauta estadunidense foi a primeira mulher negra a ir para o espaço quando serviu como especialista de missão a bordo do ônibus espacial endeavour *dr mae jemison maejemison twitter* - Mar 11 2023

web may 21 2010 on womeninscience day i m thinking of dr mae jemison the first black woman in space she pushes us to believe we are capable of more than we know i had to learn very early not to limit myself due to others limited imaginations

*mae jemison toplumu nasıl etkiledi hayat 2022* - Dec 08 2022

web 5 yaşında bile bilim insanı dedi mae jemison mae jemison doğuyor aile taşınıyor mae büyüyünce ne olmak istiyor nasa programı için kadınları seçiyor uzaydaki ilk kadın mae mezun oluyor liseye gidiyor ve üniversiteye gidiyor

*mae jemison biography education accomplishments facts* - Jul 15 2023

web aug 28 2023 mae jemison american physician and the first african american woman to become an astronaut in 1992 she spent more than a week orbiting earth in the space shuttle endeavour after completing her nasa mission she formed the jemison group to develop and market advanced technologies

*mae jemison wikipedia la enciclopedia libre* - Oct 06 2022

web ocultar mae jemison mae carol jemison decatur alabama 17 de octubre de 1956 es una ingeniera médica y ex astronauta de la nasa fue la primera mujer estadounidense negra en viajar al espacio sirvió como especialista de misión en

*dr mae jemison nasa* - May 01 2022

web la dra jemison era la especialista científica de la misión en el vuelo cuando el endeavour despegó a su órbita la dra mae jemison se transformó en la primera mujer afro americana en entrar en el espacio jemison es una excelente bailarina de jazz también le interesa el teatro

*dr mae jemison nasa* - Jun 02 2022

web la dra jemison completó su entrenamiento como especialista de la misión con la nasa en 1988 en setiembre de 1992 y como especialista de la misión abordo del transbordador endeavour mae jemison se convirtió en la primer mujer afro americana en entrar en el espacio en 1993 la dra

**dr mae jemison imagens e fotografias de stock getty images** - Mar 31 2022

web encuentre fotografias de stock e imagens de notícias editoriais de dr mae jemison na getty images seleccione entre imagens premium de dr mae jemison da mais elevada qualidade

**dr mae jemison therealmaejemison instagram photos and** - Feb 27 2022

web 13k followers 39 following 18 posts see instagram photos and videos from dr mae jemison therealmaejemison

**changing the face of medicine mae c jemison** - Apr 12 2023

web scientist chemical engineer physician teacher and astronaut dr mae jemison has been a strong advocate for science and technology she has applied her medical experience to the service of her country first as a peace corps volunteer in africa and then as space shuttle astronaut dr

**abdistanbul on twitter 12 eylül 1992 de dr mae jemison** - Nov 07 2022

web 12 eylül 1992 de dr mae jemison uzaya giden ilk afro amerikan kadın olarak tarihe geçti bir mühendis ve fizikçi olan dr jemison uzay mekiği endeavor da kemik hücresi araştırmaları da dahil olmak üzere birçok deneye imza attı 14 sep 2022 17 00

41