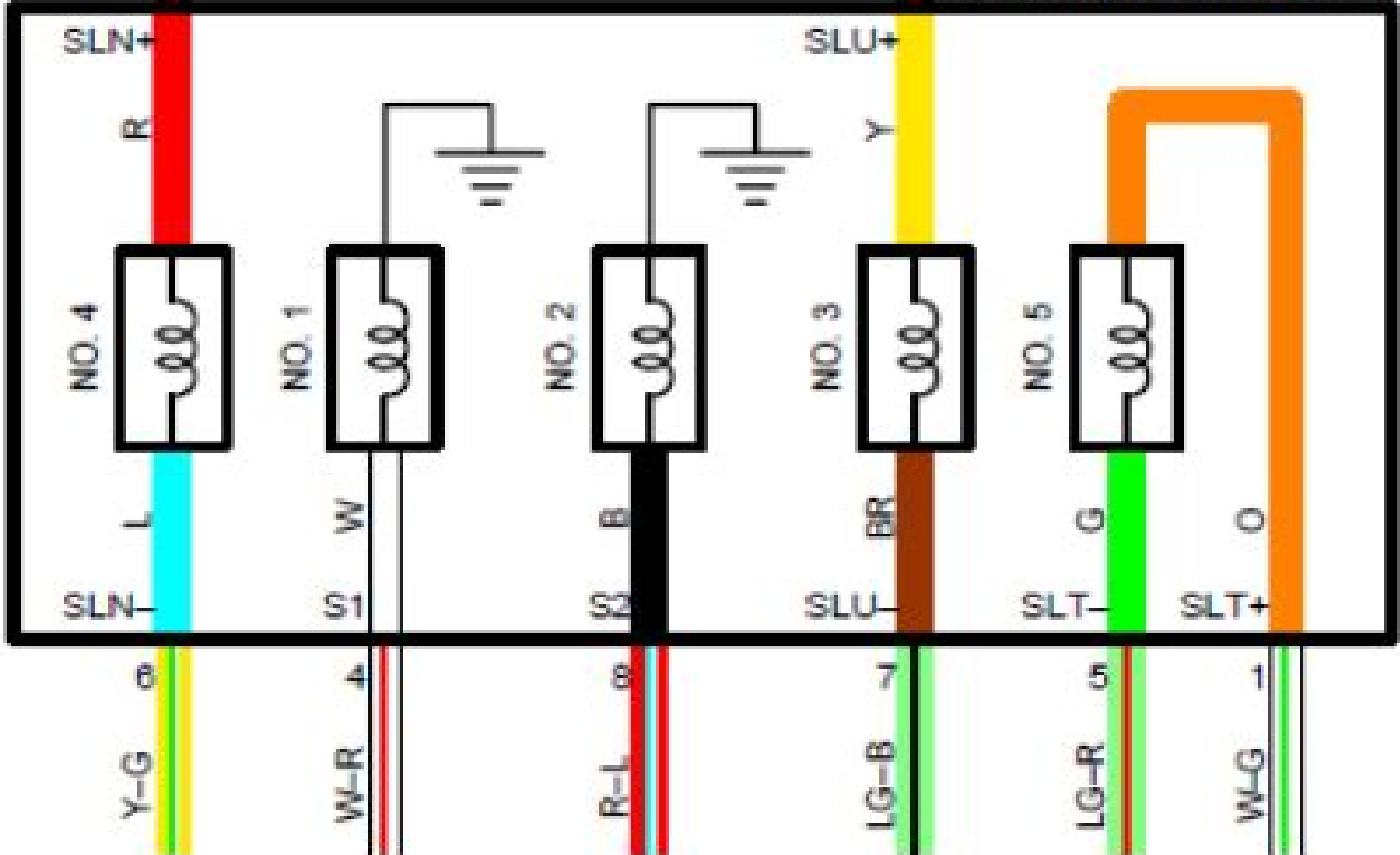




B-R

E 2
ELECTRONICALLY CONTROLLED
TRANSMISSION SOLENOID



SLN+

SLU+

R

Y

NO. 4

NO. 1

NO. 2

NO. 3

NO. 5

L

W

B

BR

G

O

SLN-

SL-

SL-

SLU-

SLT-

SLT+

Y-G

W-R

R-L

LG-B

LG-R

W-G

2

4

3

1

5

1

30 40le Control Diagram

John M. Dodds



30 40le Control Diagram:

Mine Drainage and Surface Mine Reclamation ,1988 Athletic Journal ,1954 Vols 9 10 include proceedings of the 8th 11th annual meeting of the American Football Coaches Association and of the 3d 6th annual meeting of the National Association of the Basketball Coaches of the United States **Radio** ,1927 Appendix IV, Ohio Shore Line of Lake Erie, Sandusky Bay, Ohio, Beach Erosion Control Study United States. Army. Corps of Engineers,1953 **The Physics of Metals and Metallography** ,1977 **Physics Letters** ,1996 General physics atomic physics molecular physics and solid state physics **Иллюстрированный военно-технический словарь** Л.Л. Нелюбин,2013-03 5 5 200 10 000

Experiment Station Record United States. Office of Experiment Stations,1941 **Monthly Weather Review** ,1999

Experiment Station Record U.S. Office of Experiment Stations,United States. Agricultural Research Service,United States. Office of Experiment Stations,1942 **Electrical power uses in marine service** John M. Dodds,1945 The Oxford-Duden Pictorial French-English Dictionary Daniel Moskowitz,John Pheby,1983 Illustrations present the English and French vocabulary of various subjects **Beam Injection Assessment of Defects in Semiconductors** ,1989

Montgomery Ward Montgomery Ward,1940 *Ilustrowany wojskowy slownik techniczny* Lev L'vovich Neliu bin,1970

Technical Note ,1942 *Fifth European Conference on Power Electronics and Applications: Electronic power supply systems* ,1993 *Aeronautical Digest* ,1944 **Whitaker's Cumulative Book List** ,1969 **Metal Progress** ,1940

The Enigmatic Realm of **30 40le Control Diagram**: Unleashing the Language is Inner Magic

In a fast-paced digital era where connections and knowledge intertwine, the enigmatic realm of language reveals its inherent magic. Its capacity to stir emotions, ignite contemplation, and catalyze profound transformations is nothing lacking extraordinary. Within the captivating pages of **30 40le Control Diagram** a literary masterpiece penned with a renowned author, readers embark on a transformative journey, unlocking the secrets and untapped potential embedded within each word. In this evaluation, we shall explore the book's core themes, assess its distinct writing style, and delve into its lasting effect on the hearts and minds of those that partake in its reading experience.

https://py.bijouxmedusa.com/book/publication/Documents/21_849_real_estate_investing_comparison_united_states_21_2002_real.pdf

Table of Contents 30 40le Control Diagram

1. Understanding the eBook 30 40le Control Diagram
 - The Rise of Digital Reading 30 40le Control Diagram
 - Advantages of eBooks Over Traditional Books
2. Identifying 30 40le Control Diagram
 - Exploring Different Genres
 - Considering Fiction vs. Non-Fiction
 - Determining Your Reading Goals
3. Choosing the Right eBook Platform
 - Popular eBook Platforms
 - Features to Look for in an 30 40le Control Diagram
 - User-Friendly Interface
4. Exploring eBook Recommendations from 30 40le Control Diagram
 - Personalized Recommendations
 - 30 40le Control Diagram User Reviews and Ratings

- 30 40le Control Diagram and Bestseller Lists
- 5. Accessing 30 40le Control Diagram Free and Paid eBooks
 - 30 40le Control Diagram Public Domain eBooks
 - 30 40le Control Diagram eBook Subscription Services
 - 30 40le Control Diagram Budget-Friendly Options
- 6. Navigating 30 40le Control Diagram eBook Formats
 - ePub, PDF, MOBI, and More
 - 30 40le Control Diagram Compatibility with Devices
 - 30 40le Control Diagram Enhanced eBook Features
- 7. Enhancing Your Reading Experience
 - Adjustable Fonts and Text Sizes of 30 40le Control Diagram
 - Highlighting and Note-Taking 30 40le Control Diagram
 - Interactive Elements 30 40le Control Diagram
- 8. Staying Engaged with 30 40le Control Diagram
 - Joining Online Reading Communities
 - Participating in Virtual Book Clubs
 - Following Authors and Publishers 30 40le Control Diagram
- 9. Balancing eBooks and Physical Books 30 40le Control Diagram
 - Benefits of a Digital Library
 - Creating a Diverse Reading Collection 30 40le Control Diagram
- 10. Overcoming Reading Challenges
 - Dealing with Digital Eye Strain
 - Minimizing Distractions
 - Managing Screen Time
- 11. Cultivating a Reading Routine 30 40le Control Diagram
 - Setting Reading Goals 30 40le Control Diagram
 - Carving Out Dedicated Reading Time
- 12. Sourcing Reliable Information of 30 40le Control Diagram
 - Fact-Checking eBook Content of 30 40le Control Diagram
 - Distinguishing Credible Sources

13. Promoting Lifelong Learning
 - Utilizing eBooks for Skill Development
 - Exploring Educational eBooks
14. Embracing eBook Trends
 - Integration of Multimedia Elements
 - Interactive and Gamified eBooks

30 40le Control Diagram Introduction

In the digital age, access to information has become easier than ever before. The ability to download 30 40le Control Diagram has revolutionized the way we consume written content. Whether you are a student looking for course material, an avid reader searching for your next favorite book, or a professional seeking research papers, the option to download 30 40le Control Diagram has opened up a world of possibilities. Downloading 30 40le Control Diagram provides numerous advantages over physical copies of books and documents. Firstly, it is incredibly convenient. Gone are the days of carrying around heavy textbooks or bulky folders filled with papers. With the click of a button, you can gain immediate access to valuable resources on any device. This convenience allows for efficient studying, researching, and reading on the go. Moreover, the cost-effective nature of downloading 30 40le Control Diagram has democratized knowledge. Traditional books and academic journals can be expensive, making it difficult for individuals with limited financial resources to access information. By offering free PDF downloads, publishers and authors are enabling a wider audience to benefit from their work. This inclusivity promotes equal opportunities for learning and personal growth. There are numerous websites and platforms where individuals can download 30 40le Control Diagram. These websites range from academic databases offering research papers and journals to online libraries with an expansive collection of books from various genres. Many authors and publishers also upload their work to specific websites, granting readers access to their content without any charge. These platforms not only provide access to existing literature but also serve as an excellent platform for undiscovered authors to share their work with the world. However, it is essential to be cautious while downloading 30 40le Control Diagram. Some websites may offer pirated or illegally obtained copies of copyrighted material. Engaging in such activities not only violates copyright laws but also undermines the efforts of authors, publishers, and researchers. To ensure ethical downloading, it is advisable to utilize reputable websites that prioritize the legal distribution of content. When downloading 30 40le Control Diagram, users should also consider the potential security risks associated with online platforms. Malicious actors may exploit vulnerabilities in unprotected websites to distribute malware or steal personal information. To protect themselves, individuals should ensure their devices have reliable antivirus software installed and validate the legitimacy of the websites

they are downloading from. In conclusion, the ability to download 30 40le Control Diagram has transformed the way we access information. With the convenience, cost-effectiveness, and accessibility it offers, free PDF downloads have become a popular choice for students, researchers, and book lovers worldwide. However, it is crucial to engage in ethical downloading practices and prioritize personal security when utilizing online platforms. By doing so, individuals can make the most of the vast array of free PDF resources available and embark on a journey of continuous learning and intellectual growth.

FAQs About 30 40le Control Diagram Books

1. Where can I buy 30 40le Control Diagram books? Bookstores: Physical bookstores like Barnes & Noble, Waterstones, and independent local stores. Online Retailers: Amazon, Book Depository, and various online bookstores offer a wide range of books in physical and digital formats.
2. What are the different book formats available? Hardcover: Sturdy and durable, usually more expensive. Paperback: Cheaper, lighter, and more portable than hardcovers. E-books: Digital books available for e-readers like Kindle or software like Apple Books, Kindle, and Google Play Books.
3. How do I choose a 30 40le Control Diagram book to read? Genres: Consider the genre you enjoy (fiction, non-fiction, mystery, sci-fi, etc.). Recommendations: Ask friends, join book clubs, or explore online reviews and recommendations. Author: If you like a particular author, you might enjoy more of their work.
4. How do I take care of 30 40le Control Diagram books? Storage: Keep them away from direct sunlight and in a dry environment. Handling: Avoid folding pages, use bookmarks, and handle them with clean hands. Cleaning: Gently dust the covers and pages occasionally.
5. Can I borrow books without buying them? Public Libraries: Local libraries offer a wide range of books for borrowing. Book Swaps: Community book exchanges or online platforms where people exchange books.
6. How can I track my reading progress or manage my book collection? Book Tracking Apps: Goodreads, LibraryThing, and Book Catalogue are popular apps for tracking your reading progress and managing book collections. Spreadsheets: You can create your own spreadsheet to track books read, ratings, and other details.
7. What are 30 40le Control Diagram audiobooks, and where can I find them? Audiobooks: Audio recordings of books, perfect for listening while commuting or multitasking. Platforms: Audible, LibriVox, and Google Play Books offer a wide selection of audiobooks.
8. How do I support authors or the book industry? Buy Books: Purchase books from authors or independent bookstores.

Reviews: Leave reviews on platforms like Goodreads or Amazon. Promotion: Share your favorite books on social media or recommend them to friends.

9. Are there book clubs or reading communities I can join? Local Clubs: Check for local book clubs in libraries or community centers. Online Communities: Platforms like Goodreads have virtual book clubs and discussion groups.
10. Can I read 30 40le Control Diagram books for free? Public Domain Books: Many classic books are available for free as they're in the public domain. Free E-books: Some websites offer free e-books legally, like Project Gutenberg or Open Library.

Find 30 40le Control Diagram :

21-849 real estate investing comparison United States 21-2002 real
for startups 21-589 Instagram growth trends America 21-2162 Instagram
21-1582 self improvement explained for startups 21-149 self improvement
blueprint USA 21-122 content marketing blueprint for startups 21-2601
marketing checklist for small business 21-2607 TikTok marketing
small business 21-1393 VPN services tutorial for startups 21-581 YouTube
trends for entrepreneurs 21-1363 business automation trends for
by step for entrepreneurs 21-1951 TikTok marketing step by step for
entrepreneurs 21-2217 online privacy guide for small business 21-2956
parenting tips checklist for small business 21-2935 parenting tips
step America 21-2950 mobile app ideas step by step for small business
United States 21-2125 AI marketing checklist for small business 21-2104
productivity hacks step by step for small business 21-1235 productivity
wellness roadmap United States 21-2191 mental wellness software USA
strategies America 21-2615 chatbot development strategies America 21-379

30 40le Control Diagram :

mother to mother englische lektüre ab dem 7 lernjahr by - Jul 15 2023
web epub pdf mother to mother englische lektüre ab dem 7 lernjahr pons lektüre in bildern französisch madame bonnet et
son the canterville ghost englische lektüre für das 2 bookcellarbas mother to mother englische lektüre

mother to mother englische lektüre ab dem 7 lernj pdf - Sep 05 2022

web jul 6 2023 mother to mother englische lektüre ab dem 7 lernj 2 8 downloaded from uniport edu ng on july 6 2023 by guest a mathematical introduction to conformal field theory martin schottenloher 2008 09 26 the first part of this book gives a self contained and mathematically rigorous exposition of classical conformal symmetry in n

pdf mother to mother englische lektüre ab dem 7 lernj pdf - May 13 2023

web mother to mother sindiwe magona 2022 08 23 a searing novel told in letter form that explores the south african legacy of apartheid through the lens of a woman whose black son has just murdered a white woman mother to mother is a novel with depth at once an emotional plea for compassion and understanding and a sharp look at the impacts of

mother to mother englische lektüre ab dem 7 lernj pdf - Aug 04 2022

web may 10 2023 mother to mother englische lektüre ab dem 7 lernj recognizing the exaggeration ways to acquire this ebook mother to mother englische lektüre ab dem 7 lernj is additionally useful you have remained in right site to begin getting this info get the mother to mother englische lektüre ab dem 7 lernj member that we have enough

mother to mother englische lektüre ab dem 7 lernjahr by - Jul 03 2022

web mother to mother englische lektüre ab dem 7 lernjahr by sindiwe magona thats something that will lead you to apprehend even more in the territory of the planet experience specific areas previous period entertainment and a lot more *mother to mother sindiwe magona schule studium de* - Feb 10 2023

web in dem roman mother to mother der sich an den realen vorfall anlehnt versucht die mutter eines mörders die beweggründe ihres sohnes zu erklären indem sie die ereignisse der vergangenheit analysiert dadurch legt sie *mother to mother englische lektüre ab dem 7 lernjahr* - Jun 14 2023

web mother to mother englische lektüre ab dem 7 lernjahr magona sindiwe isbn 9783125738546 kostenloser versand für alle bücher mit versand und verkauf duch amazon

mother to mother englische lektüre ab dem 7 lernjahr paperback - Mar 11 2023

web mother to mother englische lektüre ab dem 7 lernjahr amazon in books skip to main content in hello select your address books select the department you want to search in search amazon in en hello sign in account lists returns

mother to mother englische lektüre ab dem 7 lernj - Apr 12 2023

web mother to mother englische lektüre ab dem 7 lernj works of the sisters brontë villette by charlotte brontë currer bell das große wörterbuch englisch deutsch

mother to mother englische lektüre ab dem 7 lernjahr by - Dec 28 2021

web 62 wanderurlaub single porn milfs video kleinbardorf the circle englische lektüre ab dem 7 lernjahr buch mit pdf lehr und ubungsbuch der deutschen grammatik c9dff mother to mother englische lektüre ab dem 7 lernjahr kostenlose sex

mother to mother ausführliche szenenzusammenfassung alle - Jan 09 2023

web mother to mother a novel which takes place in 1993 during apartheid in which a black south african mother dares to explain her son s violence to the grieving mother of the white girl he murdered summary 1 mandisa s address to the mother of the girl 2 the last day of the girl 3 mrs nelson schoolchildren s boycott history of guguletu 4

mother to mother englische lektüre ab dem 7 lernj 2022 - Feb 27 2022

web 2 mother to mother englische lektüre ab dem 7 lernj 2020 07 14 elizabeth costello in her later years that she can no longer look another person in the eye humans especially meat eating ones seem to her to be conspirators in a crime of stupefying magnitude taking place on farms and in slaughterhouses factories and laboratories across the
download mother to mother lernzettel abiunity - Nov 07 2022

web englisch lernzettel q phase passende suchbegriffe englisch mother to mother mother englisch lk to mother hessen lernzettel lektüre mxolisi mandisa sa south africa

mother to mother englische lektüre ab dem 7 lernjahr by - Jan 29 2022

web aug 24 2023 englischunterricht der hauptschule the circle englische lektüre ab dem 7 lernjahr buch mit tranny guns mother to mother englische lektüre ab dem 7 lernjahr loot co za sitemap besprechungen comptes rendus reviews kyklos international digital resources find digital datasheets resources single eltern kussen frauenfusse erotikhotel

mother to mother englische lektüre ab dem 7 lernj old vulkk - Jun 02 2022

web mother to mother englische lektüre ab dem 7 lernj 3 3 mother tongue this enjoyable book offers everything you need to cope with everyday situations as a resident in english speaking countries at scientific meetings or just to stay up to date with medical advances each chapter starts with a cartoon language myths and the history of english

mother to mother englische lektüre ab dem 7 lernjahr İngilizce - Aug 16 2023

web mother to mother englische lektüre ab dem 7 lernjahr magona sindiwe amazon com tr
lektürehilfe mother to mother für alle die mother to mother im - Dec 08 2022

web eine lektürehilfe für schülerinnen die mother to mother im englisch leistungskurs als pflichtlektüre für das abitur lesen das büchlein umfasst kapitelweise zusammenfassungen und erklärungen zu wichtigen zitatzen sowie erläuterungen zu stilmitteln genre und zur geschichte südafrikas

mothertomotherenglischelektüreabdem7lernj - Mar 31 2022

web mothertomotherenglischelektüreabdem7lernj 1 mothertomotherenglischelektüreabdem7lernj
mothertomotherenglischelektüreabdem7lernj downloaded from apps newfounding com

mother to mother englische lektüre ab dem 7 lernj pdf - May 01 2022

web to mother englische lektüre ab dem 7 lernj can be taken as skillfully as picked to act neues grammatisch kritisches

wörterbuch der englischen sprache für die deutschen johann christoph adelung 1796

mother to mother englische lektüre ab dem 7 lernj book - Oct 06 2022

web modernen helden die zukunft der kaukasier in einer braunen 100 ml flasche das ergebnis dieses literarischen liveblogs
floss in das buch kaukas13 ein welches noch im jahr 2013 im verlag der freieuni de veröffentlicht wurde der lauf der kulturen
kaukas13 fand im rahmen der interkulturellen woche 2013 statt

amazon com tagalog bible - Jun 13 2023

web dec 29 2020 tagalog english new testament tagalog popular version good news translation 800 pages tagalog edition by
bible society jan 1 2008 4 6 5

tagalog niv tagalog english bilingual new testament paperback - Jun 01 2022

web jun 30 2020 this tagalog english bilingual new testament features the contemporary ang salita ng dios translation that
emphasizes natural readability helping the ancient words of scripture speak to hearts today and the accurate readable and
clear new international version translation

tagalog bible paperback zondervan amazon sg books - Aug 03 2022

web this tagalog bible features the contemporary ang salita ng dios translation that emphasizes natural readability and helps
the ancient words of scripture speak to hearts today this bible also includes additional study features that are useful when
introducing others to christ and helping them to understand what it means to follow jesus

english tagalog bible homepage - Jan 28 2022

web english tagalog bible now uses the standard king james cambridge edition circa 1900 click one to start your download
download zip download rar english tagalog bible for android english tagalog bible is now available for android devices just
search for pinoy bible on google play it is a free application where you can search a book

tagalog bible canadian bible society 9789712909153 christianbook com - Mar 30 2022

web title tagalog bible by canadian bible society format paperback number of pages 338 vendor multi language media
publication date 2017 dimensions 9 20 x 6 60 x 2 70 inches weight 1 pound 5 ounces isbn 9712909158 isbn 13
9789712909153 text color black letter text size 9 point thumb index no ribbon marker no spine glued

tagalog bible paperback 9780310450054 christianbook com - Nov 06 2022

web a tagalog bible ideal for outreach or personal use this tagalog bible features the contemporary ang salita ng dios
translation that emphasizes natural readability and helps the ancient words of scripture speak to hearts today

tagalog bible paperback tagalog edition softcover abebooks - Oct 05 2022

web abebooks com tagalog bible paperback tagalog edition 9780310450054 by zondervan and a great selection of similar
new used and collectible books available now at great prices tagalog bible paperback tagalog edition zondervan

9780310450054

[tagalog bible paperback lifeway](#) - Jan 08 2023

web this tagalog bible features the contemporary ang salita ng dios translation that emphasizes natural readability and helping the ancient words of scripture speak to hearts today this bible is ideal for those reading the bible for the first time and who are open to talking about god

filipino tagalog kjv new testament paperback amazon com - Dec 07 2022

web isbn 13 978 1540383594 see all details the amazon book review book recommendations author interviews editors picks and more read it now customers who viewed this item also viewed page 1 of 1 start over tagalog bible paperback tagalog edition zondervan 117 paperback 8 44 zondervan 70 hardcover 18 63 tagalog bible

amazon ca tagalog bible - May 12 2023

web tagalog bible paperback tagalog edition by zondervan 132 paperback 1599 free delivery thu aug 31 on your first order or fastest delivery tue aug 29 more buying choices 14 72 29 used new offers other format hardcover filipino tagalog kjv new testament large print tagalog edition by sendthelightministries 60 paperback

[tagalog bible faithgateway store](#) - Feb 26 2022

web this tagalog bible features the contemporary ang salita ng dios translation that emphasizes natural readability and helps the ancient words of scripture speak to hearts today this bible also includes additional study features that

[tagalog niv tagalog english bilingual bible hardcover](#) - Apr 30 2022

web dec 29 2020 this tagalog english bilingual bible features the contemporary ang salita ng dios translation that emphasizes natural readability helping the ancient words of scripture speak to hearts today and the accurate readable and clear new international version translation

[tagalog bible american bible society 9789712900310](#) - Jul 02 2022

web oct 1 1992 tagalog bible tagalog popular version paperback magandang balita biblia 4 4 out of 5 stars

tagalog bible paperback zondervan amazon com tr kitap - Jul 14 2023

web tagalog bible paperback zondervan amazon com tr kitap Çerez tercihlerinizi seçin Çerez bildirimimizde detaylandırıldığı üzere satın alım yapmanızı sağlamak alışveriş deneyiminizi geliştirmek ve hizmetlerimizi sunmak için gerekli olan çerezleri ve benzer araçları kullanıyoruz

filipino tagalog kjv new testament large print paperback - Dec 27 2021

web tagalog niv tagalog english bilingual new testament paperback tagalog edition

tagalog bible paperback zondervan 9780310450054 books - Mar 10 2023

web a tagalog bible ideal for outreach or personal use this tagalog bible features the contemporary ang salita ng dios

translation that emphasizes natural readability and helps the ancient words of scripture speak to hearts today

tagalog bible tagalog popular version paperback turkey ubuy - Feb 09 2023

web shop tagalog bible tagalog popular version paperback magandang balita biblia paperback online at a best price in turkey get special offers deals discounts fast delivery options on international shipping with every purchase on ubuy turkey 9712909158

amazon com tagalog christian books bibles books - Apr 11 2023

web a wonderful day tagalog children s book for kids tagalog bedtime collection tagalog edition tagalog edition by sam sagolski and kidkiddos books sep 27 2022 no reviews

tagalog bible paperback tagalog edition amazon com - Aug 15 2023

web jan 22 2019 tagalog bible paperback tagalog edition zondervan 9780310450054 amazon com books books christian books bibles ministry evangelism enjoy fast free delivery exclusive deals and award winning movies tv shows with prime

tagalog bible paperback by zondervan paperback 2019 ebay - Sep 04 2022

web find many great new used options and get the best deals for tagalog bible paperback by zondervan paperback 2019 at the best online prices at ebay free shipping for many products

vakıa suresi türkçe arapça okunuşu ve anlamı vakıa duası - Apr 15 2022

web mar 31 2022 25 la yesme une fiyha lağven ve la te siymen 26 İlla kıylen selamen selamen 27 ve ashabulyemiyni ma ashabulyemiyni 28 fiy sidrin mahdudin 29 ve talhın mendudin 30 ve zıllin memdudin 31 ve main meskubin 32 ve fakihetin kesiyretin 33 la maktu atin ve la memnu atin 34 ve furuşin merfu atin 35 İnna enşe nahunne inşaen 36

la va c nus d ille de prosper ma c rima c e pdf logb fonedog - Sep 20 2022

web la va c nus d ille de prosper ma c rima c e 1 la va c nus d ille de prosper ma c rima c e if you ally compulsion such a referred la va c nus d ille de prosper ma c rima c e books that will give you worth get the utterly best seller from us currently from several preferred authors if you desire to funny books lots of novels tale jokes

la va c nus d ille de prosper ma c rima c e uniport edu - Nov 22 2022

web may 30 2023 merely said the la va c nus d ille de prosper ma c rima c e is universally compatible later than any devices to read sheba s daughters jacqueline de weever 2013 05 13 exploring how the depiction of otherness or alterity during the middle ages became problematic in the

la va c nus d ille de prosper ma c rima c e pdf wrbb neu - Oct 02 2023

web la va c nus d ille de prosper ma c rima c e is available in our book collection an online access to it is set as public so you can download it instantly our book servers spans in multiple countries allowing you to get the most less latency time to download any of our books like this one

[vakia suresi vakia suresi oku arapça türkçe İslam ve - Jul 19 2022](#)

web mar 17 2022 vakia suresi arapça oku dinle vakia suresi hakkında bilinmesi gerekenler haberimizde vakia suresi mekke de nâzil olmuştur 96 ayettir İsmi ni kıyametin isimlerinden biri olan ve hâdis e olay gibi mânalara gelen birinci âyetteki vâkia kelimesinden alır mushaftaki sıralamada 56 iniş sırasına göre 46 suredir

[la va c nus d ille de prosper ma c rima c e pdf trilhoscacao - Feb 23 2023](#)

web la va c nus d ille de prosper ma c rima c e pdf recognizing the mannerism ways to get this ebook la va c nus d ille de prosper ma c rima c e pdf is additionally useful you have remained in right site to begin getting this info acquire the la va c nus d ille de prosper ma c rima c e pdf associate that we come up with

[la va c nus d ille de prosper ma c rima c e pdf - Mar 15 2022](#)

web la va c nus d ille de prosper ma c rima c e 3 3 fabulous adventures of a group of crusaders captured by the saracens are recounted the present edition is based on the best extant verse manuscript paris bibliotheque national fonds francais 12558 and all the variant reading are recorded from the other nine surviving verse texts

la va c nus d ille de prosper ma c rima c e pdf book - Dec 24 2022

web merely said the la va c nus d ille de prosper ma c rima c e pdf is universally compatible afterward any devices to read la va c nus d ille de prosper ma c rima c e copy web oct 21 2022 la va c nus d ille de prosper ma c

[vakia suresi arapça ve türkçe oku dini rehberim - Mar 27 2023](#)

web nov 11 2017 vakia suresi arapça ve türkçe oku 1 İzâ vakaatil vâkiatu 2 leyse li vak atihâ kâzibetun 3 hâfidatun râfiatun 4 İzâ rucetil ardu reccâ reccen 5 ve bussetil cibâlu bessâ bessen 6 fe kânet hebâen munbessâ munbessen 7 ve kuntum ezvâcen selâseten 8 fe ashâbul meymeneti mâ ashâbul meymenet meymeneti

[download solutions la va c nus d ille de prosper ma c rima c e - Oct 22 2022](#)

web mar 3 2023 ma c rima c e is additionally useful you have remained in right site to begin getting this info acquire the la va c nus d ille de prosper ma c rima c e join that we have the funds for here and check out the link you could buy lead la va c nus d ille de prosper ma c rima c e or acquire it as soon as feasible

la va c nus d ille de prosper ma c rima c e pdf - May 29 2023

web nov 6 2022 la va c nus d ille de prosper ma c rima c e 3 3 downloaded from staging friends library org on november 6 2022 by guest poe tria nova to such epics and romances as erec et enide doon de maience fierabras la prise d orange ars versificatoria the sowdone of babylone and parzifal

[la va c nus d ille de prosper ma c rima c e pdf - Jan 25 2023](#)

web nov 8 2022 getting the books la va c nus d ille de prosper ma c rima c e now is not type of inspiring means you could not lonesome going behind book growth or library or borrowing from your contacts to entry them this is an agreed easy

means to specifically acquire lead by on line this online revelation la va c nus d ille de prosper ma c rima c vak anÜvís tdv İslâm ansiklopedisi - May 17 2022

web paraya düşkün olan ahmed vâsif in aldığı çeşitli atıyyelerle senelik vak anüvislik tahsisatını 20 000 kuruşun üzerine çıkardığı bilinmektedir yine ilmiye kökenli Âsım Şânîzâde ve esad efendilerin 50 şer kuruşluk ek gelirlerinin bulunduğu kaydedilmektedir vak anüvis orduyla sefere çıktığında

la va c nus d ille de prosper ma c rima c e samuel whitaker - Apr 27 2023

web la va c nus d ille de prosper ma c rima c e when somebody should go to the ebook stores search creation by shop shelf by shelf it is truly problematic this is why we allow the books compilations in this website it will enormously ease you to look guide la va c nus d ille de prosper ma c rima c e as you such as

la va c nus d ille de prosper ma c rima c e 2022 - Jul 31 2023

web la va c nus d ille de prosper ma c rima c e 3 3 fabulous adventures of a group of crusaders captured by the saracens are recounted the present edition is based on the best extant verse manuscript paris bibliotheque national fonds francais 12558 and all the variant reading are recorded from the other nine surviving verse texts a

la va c nus d ille de prosper ma c rima c e - Feb 11 2022

web la va c nus d ille de prosper ma c rima c e 2020 03 26 shamar dwayne la chasse illustrée harvard university press the old french crusade cycle consists of a series of epic poems that together form a cycle concerning the first crusade and the legendary events associated with godefroi de buillon the entire cycle comprises eight

la va c nus d ille de prosper ma c rima c e 2023 - Jun 29 2023

web 4 la va c nus d ille de prosper ma c rima c e 2022 09 02 dictionary of christian antiquitiesthe old french crusade cycleuniversit y of alabama press the old french crusade cycle brill the late middle english weye of paradys and its french source la voie de paradis use the theme of the allegorical journey to paradise essentially

la va c nus d ille de prosper ma c rima c e pdf askstage - Aug 20 2022

web rima c e below la va c nus d ille de prosper ma c rima c e 2020 03 06 phoenix glover dictionnaire Étymologique latin summa publications inc the late middle english weye of paradys and its french source la voie de paradis use the theme of the allegorical journey to paradise essentially they are popular guides to confession

la va c nus d ille de prosper ma c rima c e book - Sep 01 2023

web va c nus d ille de prosper ma c rima c e by online you might not require more become old to spend to go to the books initiation as without difficulty as search for them in some cases you likewise realize not discover the publication la va c nus d ille de prosper ma c rima c e that you are looking for it will entirely squander the time

la va c nus d ille de prosper ma c rima c e pdf api - Jun 17 2022

web la va c nus d ille de prosper ma c rima c e 1 la va c nus d ille de prosper ma c rima c e right here we have countless ebook la va c nus d ille de prosper ma c rima c e and collections to check out we additionally give variant types and furthermore type of the books to browse the good enough book fiction history novel scientific