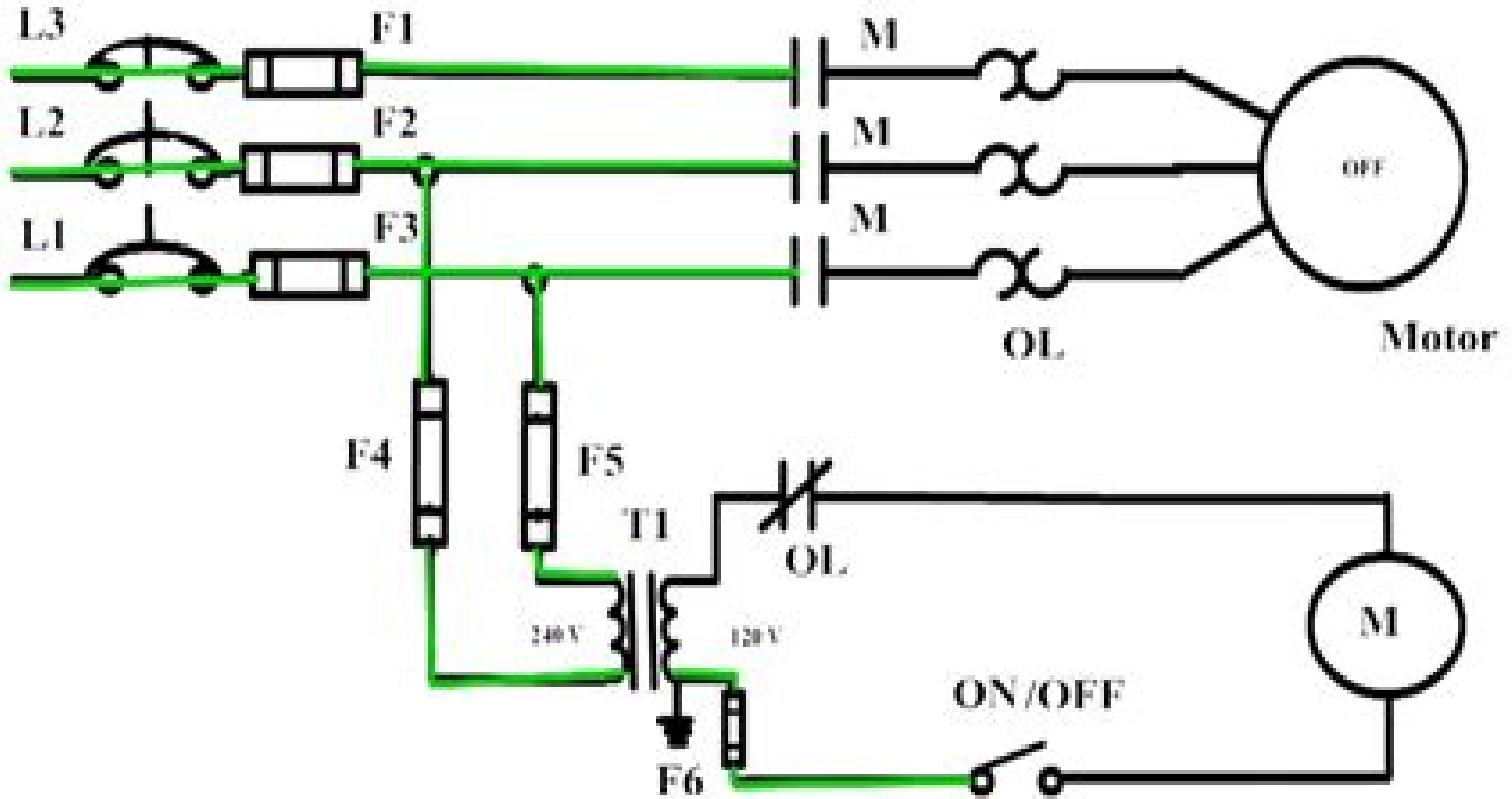


3 Phase Motor Control Circuit



3 Phase Motor Control And Power Diagram

J Dewey



3 Phase Motor Control And Power Diagram:

Ignite the flame of optimism with is motivational masterpiece, Fuel Your Spirit with **3 Phase Motor Control And Power Diagram** . In a downloadable PDF format (PDF Size: *), this ebook is a beacon of encouragement. Download now and let the words propel you towards a brighter, more motivated tomorrow.

<https://py.bijouxmedusa.com/About/uploaded-files/fetch.php/a%20caribbean%20mystery%20miss%20marple%2010%20agatha%20christie.pdf>

Table of Contents 3 Phase Motor Control And Power Diagram

1. Understanding the eBook 3 Phase Motor Control And Power Diagram
 - The Rise of Digital Reading 3 Phase Motor Control And Power Diagram
 - Advantages of eBooks Over Traditional Books
2. Identifying 3 Phase Motor Control And Power Diagram
 - Exploring Different Genres
 - Considering Fiction vs. Non-Fiction
 - Determining Your Reading Goals
3. Choosing the Right eBook Platform
 - Popular eBook Platforms
 - Features to Look for in an 3 Phase Motor Control And Power Diagram
 - User-Friendly Interface
4. Exploring eBook Recommendations from 3 Phase Motor Control And Power Diagram
 - Personalized Recommendations
 - 3 Phase Motor Control And Power Diagram User Reviews and Ratings
 - 3 Phase Motor Control And Power Diagram and Bestseller Lists
5. Accessing 3 Phase Motor Control And Power Diagram Free and Paid eBooks
 - 3 Phase Motor Control And Power Diagram Public Domain eBooks
 - 3 Phase Motor Control And Power Diagram eBook Subscription Services
 - 3 Phase Motor Control And Power Diagram Budget-Friendly Options

6. Navigating 3 Phase Motor Control And Power Diagram eBook Formats
 - ePub, PDF, MOBI, and More
 - 3 Phase Motor Control And Power Diagram Compatibility with Devices
 - 3 Phase Motor Control And Power Diagram Enhanced eBook Features
7. Enhancing Your Reading Experience
 - Adjustable Fonts and Text Sizes of 3 Phase Motor Control And Power Diagram
 - Highlighting and Note-Taking 3 Phase Motor Control And Power Diagram
 - Interactive Elements 3 Phase Motor Control And Power Diagram
8. Staying Engaged with 3 Phase Motor Control And Power Diagram
 - Joining Online Reading Communities
 - Participating in Virtual Book Clubs
 - Following Authors and Publishers 3 Phase Motor Control And Power Diagram
9. Balancing eBooks and Physical Books 3 Phase Motor Control And Power Diagram
 - Benefits of a Digital Library
 - Creating a Diverse Reading Collection 3 Phase Motor Control And Power Diagram
10. Overcoming Reading Challenges
 - Dealing with Digital Eye Strain
 - Minimizing Distractions
 - Managing Screen Time
11. Cultivating a Reading Routine 3 Phase Motor Control And Power Diagram
 - Setting Reading Goals 3 Phase Motor Control And Power Diagram
 - Carving Out Dedicated Reading Time
12. Sourcing Reliable Information of 3 Phase Motor Control And Power Diagram
 - Fact-Checking eBook Content of 3 Phase Motor Control And Power Diagram
 - Distinguishing Credible Sources
13. Promoting Lifelong Learning
 - Utilizing eBooks for Skill Development
 - Exploring Educational eBooks
14. Embracing eBook Trends
 - Integration of Multimedia Elements

- Interactive and Gamified eBooks

3 Phase Motor Control And Power Diagram Introduction

Free PDF Books and Manuals for Download: Unlocking Knowledge at Your Fingertips In today's fast-paced digital age, obtaining valuable knowledge has become easier than ever. Thanks to the internet, a vast array of books and manuals are now available for free download in PDF format. Whether you are a student, professional, or simply an avid reader, this treasure trove of downloadable resources offers a wealth of information, conveniently accessible anytime, anywhere. The advent of online libraries and platforms dedicated to sharing knowledge has revolutionized the way we consume information. No longer confined to physical libraries or bookstores, readers can now access an extensive collection of digital books and manuals with just a few clicks. These resources, available in PDF, Microsoft Word, and PowerPoint formats, cater to a wide range of interests, including literature, technology, science, history, and much more. One notable platform where you can explore and download free 3 Phase Motor Control And Power Diagram PDF books and manuals is the internet's largest free library. Hosted online, this catalog compiles a vast assortment of documents, making it a veritable goldmine of knowledge. With its easy-to-use website interface and customizable PDF generator, this platform offers a user-friendly experience, allowing individuals to effortlessly navigate and access the information they seek. The availability of free PDF books and manuals on this platform demonstrates its commitment to democratizing education and empowering individuals with the tools needed to succeed in their chosen fields. It allows anyone, regardless of their background or financial limitations, to expand their horizons and gain insights from experts in various disciplines. One of the most significant advantages of downloading PDF books and manuals lies in their portability. Unlike physical copies, digital books can be stored and carried on a single device, such as a tablet or smartphone, saving valuable space and weight. This convenience makes it possible for readers to have their entire library at their fingertips, whether they are commuting, traveling, or simply enjoying a lazy afternoon at home. Additionally, digital files are easily searchable, enabling readers to locate specific information within seconds. With a few keystrokes, users can search for keywords, topics, or phrases, making research and finding relevant information a breeze. This efficiency saves time and effort, streamlining the learning process and allowing individuals to focus on extracting the information they need. Furthermore, the availability of free PDF books and manuals fosters a culture of continuous learning. By removing financial barriers, more people can access educational resources and pursue lifelong learning, contributing to personal growth and professional development. This democratization of knowledge promotes intellectual curiosity and empowers individuals to become lifelong learners, promoting progress and innovation in various fields. It is worth noting that while accessing free 3 Phase Motor Control And Power Diagram PDF books and manuals is convenient and cost-effective, it is vital to respect copyright laws and intellectual property rights. Platforms offering free

downloads often operate within legal boundaries, ensuring that the materials they provide are either in the public domain or authorized for distribution. By adhering to copyright laws, users can enjoy the benefits of free access to knowledge while supporting the authors and publishers who make these resources available. In conclusion, the availability of 3 Phase Motor Control And Power Diagram free PDF books and manuals for download has revolutionized the way we access and consume knowledge. With just a few clicks, individuals can explore a vast collection of resources across different disciplines, all free of charge. This accessibility empowers individuals to become lifelong learners, contributing to personal growth, professional development, and the advancement of society as a whole. So why not unlock a world of knowledge today? Start exploring the vast sea of free PDF books and manuals waiting to be discovered right at your fingertips.

FAQs About 3 Phase Motor Control And Power Diagram Books

What is a 3 Phase Motor Control And Power Diagram PDF? A PDF (Portable Document Format) is a file format developed by Adobe that preserves the layout and formatting of a document, regardless of the software, hardware, or operating system used to view or print it. **How do I create a 3 Phase Motor Control And Power Diagram PDF?** There are several ways to create a PDF: Use software like Adobe Acrobat, Microsoft Word, or Google Docs, which often have built-in PDF creation tools. Print to PDF: Many applications and operating systems have a "Print to PDF" option that allows you to save a document as a PDF file instead of printing it on paper. Online converters: There are various online tools that can convert different file types to PDF. **How do I edit a 3 Phase Motor Control And Power Diagram PDF?** Editing a PDF can be done with software like Adobe Acrobat, which allows direct editing of text, images, and other elements within the PDF. Some free tools, like PDFescape or Smallpdf, also offer basic editing capabilities. **How do I convert a 3 Phase Motor Control And Power Diagram PDF to another file format?** There are multiple ways to convert a PDF to another format: Use online converters like Smallpdf, Zamzar, or Adobe Acrobats export feature to convert PDFs to formats like Word, Excel, JPEG, etc. Software like Adobe Acrobat, Microsoft Word, or other PDF editors may have options to export or save PDFs in different formats. **How do I password-protect a 3 Phase Motor Control And Power Diagram PDF?** Most PDF editing software allows you to add password protection. In Adobe Acrobat, for instance, you can go to "File" -> "Properties" -> "Security" to set a password to restrict access or editing capabilities. Are there any free alternatives to Adobe Acrobat for working with PDFs? Yes, there are many free alternatives for working with PDFs, such as: LibreOffice: Offers PDF editing features. PDFsam: Allows splitting, merging, and editing PDFs. Foxit Reader: Provides basic PDF viewing and editing capabilities. How do I compress a PDF file? You can use online tools like Smallpdf, ILovePDF, or desktop software like Adobe Acrobat to compress PDF files without significant quality loss. Compression reduces the file size, making it easier to share

and download. Can I fill out forms in a PDF file? Yes, most PDF viewers/editors like Adobe Acrobat, Preview (on Mac), or various online tools allow you to fill out forms in PDF files by selecting text fields and entering information. Are there any restrictions when working with PDFs? Some PDFs might have restrictions set by their creator, such as password protection, editing restrictions, or print restrictions. Breaking these restrictions might require specific software or tools, which may or may not be legal depending on the circumstances and local laws.

Find 3 Phase Motor Control And Power Diagram :

a caribbean mystery miss marple 10 agatha christie

a dictionary of american proverbs and proverbial phrases 1820 1880

a politically correct little red riding hood

a arte de pensar clef

a sissy story feminized for her

a batalha do apocalipse eduardo spohr

~~a survey of machine translation approaches~~

a practical guide to media law ashley messenger

8th grade reading questions and answers guylianore

a catholic modernity charles taylors marianist award lecture with responses by william m shea rosemary luling haughton

george marsden and jean bethke elshtain

a companion to the problem of evil down ebook777

a gesture life chang rae lee

a structured approach to gdpr compliance and

a dictionary of english place names oxford quick reference

~~90 honda accord engine diagram~~

3 Phase Motor Control And Power Diagram :

grade 11 english fal final examination paper 1 and memorandum - Nov 06 2022

web nov 9 2022 grade 11 english fal final examination paper 1 memorandum is available in the resource out of 80 marks

advised duration 120 minutes resource is easily downloadable in word format good luck

grade 11 november 2013 english first additional language p1 memorandum - Jul 14 2023

web grade 11 november 2013 english first additional language p1 memorandum national senior certificate grade 11
november 2013 english first additional language p1 memorandum marks 80 this memorandum consists of 8 pages
instructions to markers 1 candidates are

nsc nov 2021 english fal p1 marking guidelines wced - Oct 05 2022

web apr 12 2022 this is english fal paper 1 memo for national senior certificate november 2021 grade 12 learners will
benefit greatly when using it as part of their examination preparation

english fal november paper 1 2011 memorandum - Jan 28 2022

web english fal november paper 1 2011 memorandum 10 question spreadsheets are priced at just 39 along with your finished
paper our essay writers provide detailed calculations or reasoning behind the answers so that you can attempt the task
yourself in the future

english fal p1 memo 2013 november nsc examination papers - May 12 2023

web jun 28 2022 english fal p1 memo 2013 november nsc examination papers join our
past matric exam papers english first additional language fal - Jan 08 2023

web oct 7 2016 2013 november 2013 english paper 1 november 2013 english paper 1 memorandum november 2013 english
paper 2 november 2013 english paper 2 memorandum november 2013 english paper 3 november 2013 english paper 3
memorandum november 2013 feb march 2013 english fal paper 1 feb march

grade 11 november 2013 english first additional - Aug 03 2022

web 2 english first additional language p1 november 2013 instructions and information 1 this question paper consists of
three sections section a comprehension 30 section b summary 10 section c language 40 2 answer all the questions 3 read all
the instructions carefully 4 start each section on a

national senior certificate grade 12 national - Feb 26 2022

web jan 29 2016 november 2015 memorandum english first additional language p1 2 dbc november 2015 nsc memorandum
1 1 families and even business people use digital communication 2 english first additional language p1 8 dbc november 2015
nsc memorandum

first additional language nsc grade 12 past exam papers - Dec 07 2022

web english fal paper 3 february march 2014 memorandum 2013 november english fal paper 1 november 2013 english fal
paper 1 november 2013 memorandum english fal paper 2 november 2013 english fal paper 2 november 2013 memorandum
english fal paper 3 november 2013 english fal paper 3 november 2013

english first additional language p1 february march 2013 memorandum - Mar 30 2022

web may 15 2013 1 1 2 current and former school children note do not penalise candidates for omitting the quotation marks

however the quotation must be correct he mentions a variety of backgrounds from which teachers in these stories come he mention a

[english fal p1 memo 2013 november nsc examination papers english](#) - Feb 09 2023

web may 22 2023 the first national examination under the newly elected democratic government was administered in november 1996 following a highly decentralized approach previous exam papers gr 10 11 12 read also setswana hl p2 2019 may june examination papers setswana

[graad 12 national senior certificate grade 12 fet phase english](#) - Jun 13 2023

web nov 1 2013 1 1 15 the boy holds the book upside down showing that he does not know how to read he is illiterate and the expression on his face shows that he is puzzled confused 2 1 16 open ended response yes it widens one s horizons it equips one with the necessary skills

english first additional language p3 november 2013 memorandum past paper - Sep 04 2022

web november 2013 memorandum national senior certificate graad 12 grade 12 instructions and information this memorandum must be used together with the attached english fal assessment rubrics for sections a b and c section a essay question 1 instructions to markers candidates are required

english fal p1 nov memo 2019 nsc examination papers november - Apr 30 2022

web jun 28 2022 english fal p1 nov memo is a type of paper which south africa student should seat after having read english subject that means this english fal p1 nov memo papers is a part of english subject list of papers advertisement english as a subject among many others english fal p1 nov memo past paper is for 2019 nsc

english fal november paper 1 2011 memorandum - Dec 27 2021

web feb 15 2021 english fal november paper 1 2011 memorandum plagiarism free papers we do not tolerate any form of plagiarism and use modern software to detect any form of it

[download grade 12 english first additional language fal](#) - Jun 01 2022

web apr 2 2020 download grade 12 english first additional language fal past exam papers and memorandums here s a collection of past english first additional language fal papers plus memos to help you prepare for the matric finals

[grade 12 english first additional language fal past exam papers](#) - Mar 10 2023

web sep 19 2021 2013 november 2013 english paper 1 november 2013 english paper 1 memorandum november 2013 english paper 2 november 2013 english paper 2 memorandum november 2013 english paper 3 november 2013 english paper 3 memorandum november 2013 feb march 2013 english fal paper 1 feb march

grade 9 november 2013 english first additional language memorandum - Apr 11 2023

web november 2013 english first additional language memorandum marks 100 this memorandum consists of 7 pages

november 2013 english first additional language 2 information 1 this marking guideline consists of four sections namely question papers created date 9 2 2013 2 22 54 pm

national department of basic education curriculum national - Aug 15 2023

web nsc november 2013 examination papers non language subjects geography title memo 1 afrikaans download memo 1 english download memo 2 afrikaans download memo 2 english english fal p1 memo download english fal p2 download english fal p2 memo download english fal p3 download english

english first additional language grade 8 november 2013 paper 1 - Jul 02 2022

web english first additional language grade 8 november 2013 paper 1 language time 1 hour total 50 information and instructions 1 this paper consists of three sections section a comprehension 20 section b summary 10 section c language 20 3 20 information technology 2015 updated sep 2014 - Oct 19 2023

web the performance assessment task pat the sba and the pat will be externally moderated and each candidate is required to submit all the assessments in october of their grade 12 year they should be informed of these requirements towards the end of their grade 11 year and supplied with detailed task

gr 12 pat phase one java teacher - Jan 10 2023

web phase one and two is concerned with data modelling data modelling design includes normalization tables primary keys relationships data types class objects business rules etc etc so that data is standard consistent and predictable i e data must serve the needs of the person using it i e the programmer an end user a manager a

it pat grade 12 2014 pdf uniport edu - Mar 12 2023

web may 28 2023 it pat grade 12 2014 is available in our digital library an online access to it is set as public so you can get it instantly our book servers spans in multiple locations allowing you to get the most less latency time to download any of

tourism pat grade 12 2014 orientation sutd edu - May 02 2022

web checking out a book tourism pat grade 12 2014 moreover it is not directly done you could believe even more close to this life nearly the world along with guides you could take pleasure in the present is tourism pat grade 12 2014 below if you effort to obtain and install the tourism pat grade 12 2014 it is thoroughly

cat pat grade 12 2014 memorandum book cie advances asme - Feb 28 2022

web cat pat grade 12 2014 memorandum strengthening forensic science in the united states national research council 2009 07 29 scores of talented and dedicated people serve the forensic science community performing vitally important

pat information technology grade 12 2014 unswers pdf pdf - Jul 16 2023

web pat information technology grade 12 2014 unswers pdf introduction pat information technology grade 12 2014 unswers pdf pdf development testing and analysis of steel fiber reinforced concrete mine support members

pat information technology grade 12 2014 full pdf - May 14 2023

web pat information technology grade 12 2014 social statistics for a diverse society nov 25 2022 this eighth edition of social statistics for a diverse society continues to emphasize intuition and common sense while demonstrating that social science is a constant interplay between methods of inquiry and important social issues

pat information technology grade 12 2014 pdf - Dec 09 2022

web 2 pat information technology grade 12 2014 2022 02 23 respond to work integrated learning and reskilling and upskilling to avoid skill mismatches it is ideal for tvet schools academicians curriculum designers managers training officers administrators vocational professionals researchers and students jones bartlett learning

gr 12 it pat ieb everything java teacher - Sep 18 2023

web jun 12 2021 your ieb it pat for grade 12 is made up of four phases phase one and two are the data modelling phases phase three is the coding and phase four the testing phase one the project specifications what your application does a list of features phase two the design document how it does what it does

pat information technology grade 12 2014 pdf copy live hubitat - Apr 13 2023

web pat information technology grade 12 2014 pdf reviewing pat information technology grade 12 2014 pdf unlocking the spellbinding force of linguistics in a fast paced world fueled by information and interconnectivity the spellbinding force of linguistics has acquired newfound prominence its

information technology pat grade 11 2013 memorandum - Apr 01 2022

web task 2016 pat grade 11 2014 22 memorandum tourism pat phase 2 grade11 memorandum tourism pat phase 2 tourism pat memorandum phase 2 grade 12 information technology infrastructure description download free pdf pat 2014 grade 11 tourism memo ebooks in pdf

pat information technology grade 12 2014 unswers - Feb 11 2023

web pat information technology grade 12 2014 unswers author eckart mayer from orientation sutd edu sg subject pat information technology grade 12 2014 unswers keywords information unswers 2014 pat grade technology 12 created date memorandum for grade 12 pat 2014 orientation sutd edu sg - Nov 08 2022

web memorandum for grade 12 pat 2014 tsa lga workplace strategies for us june 22nd 2018 this is a personally run site it is not tsa sponsored there is no posting of any ssi fouo pii on the site we are a safer country thanks to

it pat grade 12 2014 stage gapinc com - Sep 06 2022

web it pat grade 12 2014 3 3 holistic development this is the third iteration of the national standards for k 12 physical education and this latest version features two prominent changes the term physical literacy underpins the standards it encompasses the three domains of physical education psychomotor cognitive and affective and

pat computer application technology grade12 memorundum - Jul 04 2022

web grade 12 pat phase 2 study opportunities computer we remunerate for pat computer application technology grade12 memorundum and multiple books collections from fictions to scientific studyh in any way

pat information technology grade 12 2014 full pdf askstage - Aug 17 2023

web 2 pat information technology grade 12 2014 2021 08 24 edition diane publishing this book combines practical and effective classroom practices with the latest technological research findings utilized in literacy instruction provided by publisher minerals yearbook government printing office education is a hot topic

memorandum of pat grade 12 2014 orientation sutd edu sg - Jun 03 2022

web memorandum of pat grade 12 2014 memorandum of pat grade 12 2014 today s stock market news and analysis nasdaq com tsa lga workplace strategies for us pope francis appears to criticise the medjugorje apsattv com news irishships com germany hamburg archives philly com police body worn cameras a policy scorecard

pat information technology grade 12 2014 - Jun 15 2023

web pat information technology grade 12 2014 right here we have countless ebook pat information technology grade 12 2014 and collections to check out we additionally come up with the money for variant types and in addition to type of the books to browse the all right book fiction history novel scientific research as well as various

pat information technology grade 12 2014 unswers pdf 2023 - Aug 05 2022

web pat information technology grade 12 2014 unswers pdf upload mia n williamson 2 12 downloaded from live habitat com on october 22 2023 by mia n williamson what makes async functions different page 81 summary page 83 5 unhandled rejection tracking page 83 detecting unhandled rejections page 85 web browser unhandled rejection

it pat grade 10 2014 final1 pdf computer program - Oct 07 2022

web the completed learner assessment tool for each phase requirements national protocol for assessment grades r 12 chapter 3 practical assessment task components must comprise assessment tasks that constitute the learners pat mark as contemplated in chapter 4 of the curriculum and assessment policy statement for it include a mark

cambridge grammar and writing skills learner s bo gill - Mar 30 2022

web and writing skills of all learners further activities and games targeting specific grammar and language points extra writing and spelling activities english grammar today with cd rom ronald carter 2011 04 07 a major grammar reference book of modern english specially written for intermediate learners of english english grammar

cambridge grammar writing skills learner s book 2 issuu - May 12 2023

web jan 8 2019 cambridge grammar writing skills learner s book 2 our approach makes better learning possible enabling studentsto accelerate their learning and develop skills for life to find out more about

[cambridge grammar and writing skills cambridge university](#) - Aug 15 2023

web model texts in each chapter show learners good examples of each writing type and specific activities help them practise grammar typical of the genre learners work individually and collaboratively developing skills such as creative thinking planning drafting peer evaluation and editing

cambridge grammar and writing skills learner s book 6 - Nov 06 2022

web may 24 2019 model texts in each chapter show learners good examples of each writing type and specific activities are included to help them practise their grammar planning tools and an extended writing task develop learners essential skills including editing checking planning and creative thinking read more isbn 10

[cambridge grammar and writing skills first language english](#) - Mar 10 2023

web cambridge grammar and writing skills whether it s writing letters stories or instructions cambridge grammar and writing skills provides activities for learners to practise and extend their creative writing skills through units on topics such as the classroom and families students experience a range of text types to build their skills in

[cambridge grammar and writing skills](#) - Aug 03 2022

web cambridge grammar and writing skills teacher s resource 4 6 stage 4 unit guides stage 4 unit 1 writing to communicate book blurbs learner s book unit focus this unit continues the category of writing to communicate in the form of book blurbs progress table for stage 4 unit 1

[cambridge grammar and writing skills](#) - Sep 04 2022

web 978 1 108 76196 3 cambridge grammar and writing skills teacher s resource with cambridge elevate 7 9 annie altamirano excerpt more information board and write down learners ideas for future reference e ective diaries focus on the characteristics of a good diary entry

cambridge grammar and writing skills learner s book 8 sample - Oct 05 2022

web apr 2 2019 whether it s writing a short story a diary or factual reports cambridge grammar and writing skills provides activities for learners to practice and extend their writing skills

cambridge grammar and writing skills learner s book 8 - Jan 08 2023

web jun 6 2019 model texts in each chapter show learners good examples of each writing type and specific activities help them practise grammar typical of the genre learners work individually and collaboratively developing skills such as creative thinking planning drafting peer evaluation and editing

cambridge grammar and writing skills cambridge university - Jan 28 2022

web explore our range of primary and secondary first language english resources empower students to develop their skills learning english as a first language

[cambridge grammar and writing skills learner s bo pdf](#) - Apr 30 2022

web jul 29 2023 cambridge grammar and writing skills learner s bo below cambridge grammar and writing skills learner s book 4 sarah lindsay 2019 03 28 develop your learners skills in creative writing and writing for a purpose introduce your learners to creative writing and writing for a purpose

cambridge grammar writing skills learner s book 1 - Jul 14 2023

web whether it s writing letters stories or instructions cambridge grammar and writing skills provides activities for learners to practise and extend their creative writing skills each unit focuses on a different text type building confidence in extended writing while example texts show students a model to work to

[cambridge grammar and writing skills cambridge university](#) - Dec 27 2021

web the writer s toolbox provides a useful checklist of grammar and writing skills to help learners write different text types helpful tools like planning scaffolds help learners understand how to plan extended writing tasks

cambridge grammar and writing skills learner s book 4 - Apr 11 2023

web develop your learners skills in creative writing and writing for a purpose introduce your learners to creative writing and writing for a purpose they ll write a haiku about the moon and a recipe for panna cotta helping build their extended writing skills as they progress through the units

cambridge grammar writing skills learner s book 1 issuu - Jun 13 2023

web jan 8 2019 cambridge grammar writing skills learner s book 1 our approach makes better learning possible enabling students to accelerate their learning and develop skills for life to find out

[cambridge grammar and writing skills learner s book 9 sample](#) - Jun 01 2022

web jun 7 2019 e pl cambridge grammar and writing skills learner s book 9 sa m mike gould and eoin higgins original material ÂŠ cambridge university press 2019

cambridge grammar writing skills learner s book 2 - Dec 07 2022

web cambridge grammar and writing skills whether it s writing dialogue poems or instructions cambridge grammar and writing skills provides activities for learners to practice and extend their creative writing skills each unit focuses on a different text type building confidence in

cambridge grammar writing skills learner s book 5 sample - Jul 02 2022

web mar 5 2019 cambridge grammar writing skills learner s book 5 sample by cambridge university press education issuu cambridge grammar writing skills learner s book 5 sample cambridge grammar writing

[cambridge grammar and writing skills learner s bo keely](#) - Feb 26 2022

web the cambridge grammar and writing skills learner s bo is universally compatible next any devices to read cambridge

primary english activity book 6 sally burt 2014 11 27 cambridge primary english is a flexible endorsed course written specifically to support cambridge international examinations curriculum framework stages 1 6 this

cambridge grammar and writing skills learner s book 1 - Feb 09 2023

web apr 4 2019 develop your learners skills in creative writing and writing for a purpose introduce your le cambridge grammar and writing skills learner s book 1 by sarah lindsay goodreads