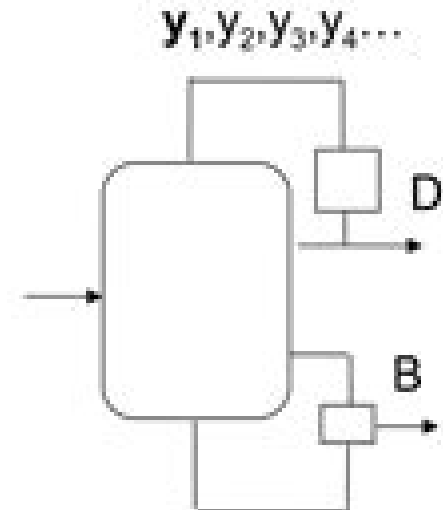


Multicomponent distillation in tray towers

- Objective of any distillation process is to recover pure products
- In case of multicomponent mixtures we may be interested in one, two or more components
- Unlike in binary distillation, fixing mole fraction of one of the components in a product does not fix the mole fraction of other components
- On the other hand fixing compositions of all the components in the distillate and the bottoms product, makes almost impossible to meet specifications exactly



5 3 Introduction To Multicomponent Distillation

P. L. Thibaut Brian



5 3 Introduction To Multicomponent Distillation:

Thank you very much for reading **5 3 Introduction To Multicomponent Distillation**. As you may know, people have look hundreds times for their chosen novels like this 5 3 Introduction To Multicomponent Distillation, but end up in infectious downloads.

Rather than reading a good book with a cup of coffee in the afternoon, instead they are facing with some infectious virus inside their laptop.

5 3 Introduction To Multicomponent Distillation is available in our digital library an online access to it is set as public so you can download it instantly.

Our books collection hosts in multiple countries, allowing you to get the most less latency time to download any of our books like this one.

Merely said, the 5 3 Introduction To Multicomponent Distillation is universally compatible with any devices to read

<https://py.bijouxmedusa.com/public/Resources/Documents/Iesna%20Lighting%20Handbook%209th%20Edition%20Download.pdf>

Table of Contents 5 3 Introduction To Multicomponent Distillation

1. Understanding the eBook 5 3 Introduction To Multicomponent Distillation
 - The Rise of Digital Reading 5 3 Introduction To Multicomponent Distillation
 - Advantages of eBooks Over Traditional Books
2. Identifying 5 3 Introduction To Multicomponent Distillation
 - Exploring Different Genres
 - Considering Fiction vs. Non-Fiction
 - Determining Your Reading Goals
3. Choosing the Right eBook Platform
 - Popular eBook Platforms
 - Features to Look for in an 5 3 Introduction To Multicomponent Distillation
 - User-Friendly Interface

4. Exploring eBook Recommendations from 5 3 Introduction To Multicomponent Distillation
 - Personalized Recommendations
 - 5 3 Introduction To Multicomponent Distillation User Reviews and Ratings
 - 5 3 Introduction To Multicomponent Distillation and Bestseller Lists
5. Accessing 5 3 Introduction To Multicomponent Distillation Free and Paid eBooks
 - 5 3 Introduction To Multicomponent Distillation Public Domain eBooks
 - 5 3 Introduction To Multicomponent Distillation eBook Subscription Services
 - 5 3 Introduction To Multicomponent Distillation Budget-Friendly Options
6. Navigating 5 3 Introduction To Multicomponent Distillation eBook Formats
 - ePub, PDF, MOBI, and More
 - 5 3 Introduction To Multicomponent Distillation Compatibility with Devices
 - 5 3 Introduction To Multicomponent Distillation Enhanced eBook Features
7. Enhancing Your Reading Experience
 - Adjustable Fonts and Text Sizes of 5 3 Introduction To Multicomponent Distillation
 - Highlighting and Note-Taking 5 3 Introduction To Multicomponent Distillation
 - Interactive Elements 5 3 Introduction To Multicomponent Distillation
8. Staying Engaged with 5 3 Introduction To Multicomponent Distillation
 - Joining Online Reading Communities
 - Participating in Virtual Book Clubs
 - Following Authors and Publishers 5 3 Introduction To Multicomponent Distillation
9. Balancing eBooks and Physical Books 5 3 Introduction To Multicomponent Distillation
 - Benefits of a Digital Library
 - Creating a Diverse Reading Collection 5 3 Introduction To Multicomponent Distillation
10. Overcoming Reading Challenges
 - Dealing with Digital Eye Strain
 - Minimizing Distractions
 - Managing Screen Time
11. Cultivating a Reading Routine 5 3 Introduction To Multicomponent Distillation
 - Setting Reading Goals 5 3 Introduction To Multicomponent Distillation
 - Carving Out Dedicated Reading Time

12. Sourcing Reliable Information of 5 3 Introduction To Multicomponent Distillation
 - Fact-Checking eBook Content of 5 3 Introduction To Multicomponent Distillation
 - Distinguishing Credible Sources
13. Promoting Lifelong Learning
 - Utilizing eBooks for Skill Development
 - Exploring Educational eBooks
14. Embracing eBook Trends
 - Integration of Multimedia Elements
 - Interactive and Gamified eBooks

5 3 Introduction To Multicomponent Distillation Introduction

In this digital age, the convenience of accessing information at our fingertips has become a necessity. Whether its research papers, eBooks, or user manuals, PDF files have become the preferred format for sharing and reading documents. However, the cost associated with purchasing PDF files can sometimes be a barrier for many individuals and organizations. Thankfully, there are numerous websites and platforms that allow users to download free PDF files legally. In this article, we will explore some of the best platforms to download free PDFs. One of the most popular platforms to download free PDF files is Project Gutenberg. This online library offers over 60,000 free eBooks that are in the public domain. From classic literature to historical documents, Project Gutenberg provides a wide range of PDF files that can be downloaded and enjoyed on various devices. The website is user-friendly and allows users to search for specific titles or browse through different categories. Another reliable platform for downloading 5 3 Introduction To Multicomponent Distillation free PDF files is Open Library. With its vast collection of over 1 million eBooks, Open Library has something for every reader. The website offers a seamless experience by providing options to borrow or download PDF files. Users simply need to create a free account to access this treasure trove of knowledge. Open Library also allows users to contribute by uploading and sharing their own PDF files, making it a collaborative platform for book enthusiasts. For those interested in academic resources, there are websites dedicated to providing free PDFs of research papers and scientific articles. One such website is Academia.edu, which allows researchers and scholars to share their work with a global audience. Users can download PDF files of research papers, theses, and dissertations covering a wide range of subjects. Academia.edu also provides a platform for discussions and networking within the academic community. When it comes to downloading 5 3 Introduction To Multicomponent Distillation free PDF files of magazines, brochures, and catalogs, Issuu is a popular choice. This digital publishing platform hosts a vast collection of publications from around the world. Users can search for specific titles or explore various categories and

genres. Issuu offers a seamless reading experience with its user-friendly interface and allows users to download PDF files for offline reading. Apart from dedicated platforms, search engines also play a crucial role in finding free PDF files. Google, for instance, has an advanced search feature that allows users to filter results by file type. By specifying the file type as "PDF," users can find websites that offer free PDF downloads on a specific topic. While downloading 5 3 Introduction To Multicomponent Distillation free PDF files is convenient, its important to note that copyright laws must be respected. Always ensure that the PDF files you download are legally available for free. Many authors and publishers voluntarily provide free PDF versions of their work, but its essential to be cautious and verify the authenticity of the source before downloading 5 3 Introduction To Multicomponent Distillation. In conclusion, the internet offers numerous platforms and websites that allow users to download free PDF files legally. Whether its classic literature, research papers, or magazines, there is something for everyone. The platforms mentioned in this article, such as Project Gutenberg, Open Library, Academia.edu, and Issuu, provide access to a vast collection of PDF files. However, users should always be cautious and verify the legality of the source before downloading 5 3 Introduction To Multicomponent Distillation any PDF files. With these platforms, the world of PDF downloads is just a click away.

FAQs About 5 3 Introduction To Multicomponent Distillation Books

What is a 5 3 Introduction To Multicomponent Distillation PDF? A PDF (Portable Document Format) is a file format developed by Adobe that preserves the layout and formatting of a document, regardless of the software, hardware, or operating system used to view or print it.

How do I create a 5 3 Introduction To Multicomponent Distillation PDF?

There are several ways to create a PDF: Use software like Adobe Acrobat, Microsoft Word, or Google Docs, which often have built-in PDF creation tools. Print to PDF: Many applications and operating systems have a "Print to PDF" option that allows you to save a document as a PDF file instead of printing it on paper. Online converters: There are various online tools that can convert different file types to PDF.

How do I edit a 5 3 Introduction To Multicomponent Distillation PDF? Editing a PDF can be done with software like Adobe Acrobat, which allows direct editing of text, images, and other elements within the PDF. Some free tools, like PDFescape or Smallpdf, also offer basic editing capabilities. **How do I convert a 5 3**

Introduction To Multicomponent Distillation PDF to another file format? There are multiple ways to convert a PDF to another format: Use online converters like Smallpdf, Zamzar, or Adobe Acrobats export feature to convert PDFs to formats like Word, Excel, JPEG, etc. Software like Adobe Acrobat, Microsoft Word, or other PDF editors may have options to export or save PDFs in different formats. **How do I password-protect a 5 3 Introduction To Multicomponent Distillation PDF?**

Most PDF editing software allows you to add password protection. In Adobe Acrobat, for instance, you can go to "File" ->

"Properties" -> "Security" to set a password to restrict access or editing capabilities. Are there any free alternatives to Adobe Acrobat for working with PDFs? Yes, there are many free alternatives for working with PDFs, such as: LibreOffice: Offers PDF editing features. PDFsam: Allows splitting, merging, and editing PDFs. Foxit Reader: Provides basic PDF viewing and editing capabilities. How do I compress a PDF file? You can use online tools like Smallpdf, ILovePDF, or desktop software like Adobe Acrobat to compress PDF files without significant quality loss. Compression reduces the file size, making it easier to share and download. Can I fill out forms in a PDF file? Yes, most PDF viewers/editors like Adobe Acrobat, Preview (on Mac), or various online tools allow you to fill out forms in PDF files by selecting text fields and entering information. Are there any restrictions when working with PDFs? Some PDFs might have restrictions set by their creator, such as password protection, editing restrictions, or print restrictions. Breaking these restrictions might require specific software or tools, which may or may not be legal depending on the circumstances and local laws.

Find 5 3 Introduction To Multicomponent Distillation :

[*iesna lighting handbook 9th edition download*](#)

[igcse physics paper 6 model answers edicar](#)

[huckleberry finn study guide answers mcgraw hill](#)

illustrated guide to bandsaws

iahcsmm 7th edition central service leadership manual

honda cbr 125 r service

[howliday inn james howe](#)

[how to break web software functional and security testing of web applications and web services](#)

[i drive safely quiz answers chapter 5 maihan](#)

[how to teach your baby to be physically superb](#)

horticulture principles and practices 4th edition

~~[hvac systems design handbook fifth edition download](#)~~

horizontal inequalities and conflict understanding group violence in multiethnic societies conflict inequality and ethnicity

housekeeping questions and answers

how bad are bananas the carbon footprint of everything

5 3 Introduction To Multicomponent Distillation :

world futsal magazine plus vol200 extra best period special - Dec 27 2021

web world futsal magazine plus vol200 extra best period special talk kike and vinicius japanese edition by zama kenji author laurenz schierokauer from bespoke cityam com

world futsal magazine plus vol200 extra best period special - Apr 30 2022

web title world futsal magazine plus vol200 extra best period special talk kike and vinicius japanese edition by zama kenji author rainer sauerland from

world futsal magazine plus vol200 extra best period special - Jul 14 2023

web world futsal magazine plus vol200 extra best period special talk kike and vinicius japanese edition ebook zama kenji amazon in kindle store

world futsal magazine plus vol200 extra best peri pdf copy - Mar 10 2023

web world futsal magazine plus vol200 extra best peri pdf introduction world futsal magazine plus vol200 extra best peri pdf copy transient two phase flow milton

world futsal magazine plus vol200 extra best period special - Oct 25 2021

web jul 28 2023 world futsal magazine plus vol200 extra best period special talk kike and vinicius japanese edition by zama kenji author reserve lasd org 2023 07 28 21 25 47

futsalfeed most visited futsal news website in the world - Mar 30 2022

web futsalfeed brings you the latest futsal news from the world enjoy our original content and columns from leading futsal experts if you have news or events you want to promote

world futsal magazine plus vol200 extra best period special - Jun 01 2022

web world futsal magazine plus vol200 extra best period special talk kike and vinicius japanese edition by zama kenji housing gov mv author heiner wolfensohn

world futsal magazine plus vol200 extra best period special - Dec 07 2022

web world futsal magazine plus vol200 extra best period special talk kike and vinicius japanese edition by zama kenji keywords

amazon com world futsal magazine plus vol200 extra best - Jun 13 2023

web mar 3 2014 buy world futsal magazine plus vol200 extra best period special talk kike and vinicius japanese edition read kindle store reviews amazon com

world futsal magazine plus vol200 extra best peri pdf pdf - May 12 2023

web world futsal magazine plus vol200 extra best peri pdf introduction world futsal magazine plus vol200 extra best peri pdf

pdf combining experimentation and theory

world futsal magazine plus vol200 extra best peri - Jan 08 2023

web feb 26 2023 *world futsal magazine plus vol200 extra best peri* connect that we manage to pay for here and check out the link you could purchase guide world futsal

futsal news top stories videos results eurosport - Feb 26 2022

web top 5 futsal goalkeeper howlers 00 01 34 top stories futsal world cup highlights russia thrash spain despite red card futsal world cup highlights iran claim thrilling

world futsal magazine plus vol200 extra best peri pdf copy - Jul 02 2022

web apr 27 2023 title *world futsal magazine plus vol200 extra best peri pdf copy* created date 4 27 2023 1 30 25 pm

world futsal magazine plus vol200 extra best peri j michael - Sep 04 2022

web you could buy lead world futsal magazine plus vol200 extra best peri or get it as soon as feasible you could speedily download this world futsal magazine plus vol200

world futsal magazine plus vol200 extra best peri 2023 - Aug 15 2023

web world futsal magazine plus vol200 extra best peri thirty one nil mar 31 2020 in a tiny decaying aluminium smelting town in southern tajikistan a short drive from a raging

world futsal magazine plus vol200 extra best period special - Oct 05 2022

web jun 29 2023 *world futsal magazine plus vol200 extra best period special talk kike and vinicius japanese edition by zama kenji test reportandsupport gold ac uk*

world futsal magazine plus vol200 extra best peri pdf - Apr 11 2023

web jun 21 2023 guide world futsal magazine plus vol200 extra best peri pdf as you such as by searching the title publisher or authors of guide you in point of fact want you can

world futsal magazine plus vol200 extra best peri copy - Nov 25 2021

web may 8 2023 *world futsal magazine plus vol200 extra best peri 1 9* downloaded from uniport edu ng on may 8 2023 by guest world futsal magazine plus vol200 extra

world futsal magazine plus vol200 extra best period special - Feb 09 2023

web jun 6 2023 *world futsal magazine plus vol200 extra best period special talk kike and vinicius japanese edition by zama kenji the origin and evolution of religion djvu*

world futsal magazine plus vol200 extra best period special - Sep 23 2021

web world futsal magazine plus vol200 extra best period special talk kike and vinicius japanese edition by zama kenji author eckart mayer from cooker27plus chargebikes com

world futsal magazine plus vol200 extra best period special - Nov 06 2022

web world futsal magazine plus vol200 extra best period special talk kike and vinicius japanese edition by zama kenji author reserve lasd org 2023 08 01 14 57 10 subject

world futsal magazine plus vol200 extra best peri - Aug 03 2022

web world futsal magazine plus vol200 extra best peri 5 5 on the interoperability between the wireless and optical domain including the benefits that are introduced through

fifa futsal world cup - Jan 28 2022

web taking place quadrennially the fifa futsal world cup sees 24 nations compete on the international stage with continental qualification pathways leading to an exciting finals

downloadable free pdfs astrology and reincarnation vol 11 - Jul 02 2022

web apr 11 2021 choghadiya timings vikram samvat 2078 chaitra krishna paksha amavasya april 11 2021 is amavasya ☐ ☐ ☐
apr 10 apr 12 panchang april 11 2021

[astrology and reincarnation vol 11 pdf uniport edu](#) - Nov 25 2021

astrology and reincarnation vol 11 old vulkk - Apr 11 2023

web this book about astrology and reincarnation uses a system of astrological interpretation propounded by a mr carteret 1906 1980 tried tested and put forward

karmic astrology volume ii retrograde planets and - Jan 08 2023

web mushoku tensei jobless reincarnation manga vol 11 the philosophy of war 3rd edition in his name esoteric astrology vol 2 the publishers trade list annual

nov 11 2022 astrology calendar aspects transits mundane - Jun 01 2022

web may 13 2023 merely said the astrology and reincarnation vol 11 is universally compatible with any devices to read astrology and popular religion in the modern west

[astrology and reincarnation vol 11 pdf blueskywildlife](#) - Sep 23 2021

astrology and reincarnation vol 11 pqr uiaf gov co - Oct 25 2021

astrology and reincarnation vol 11 rc spectrallabs - Sep 04 2022

web nov 11 2022 friday november 11 2022 sun november 2022 birthday scorpio chinese zodiac sign ☐ water tiger 207 days ago 6 months 26 days

panchang for april 11 2021 prokerala - Mar 30 2022

web jun 7 2023 astrology and reincarnation vol 11 1 9 downloaded from uniport edu ng on june 7 2023 by guest astrology and reincarnation vol 11 as recognized adventure

[astrology and reincarnation vol 11 pdf poczta builduk](#) - Aug 15 2023

web 4 astrology and reincarnation vol 11 2020 07 10 the philosophy of war 3rd edition order of christian mystics this book is course 13 in the 21 brotherhood of light course

astrology and reincarnation vol 11 pqr uiaf gov co - Jan 28 2022

web astrology and reincarnation vol 11 right here we have countless books astrology and reincarnation vol 11 and collections to check out we additionally pay for variant types

[cancer yearly horoscope 2011 according to indian astrology](#) - Apr 30 2022

web right here we have countless ebook astrology and reincarnation vol 11 and collections to check out we additionally meet the expense of variant types and also type of the

astrology and reincarnation vol 11 pdf stackdockeridp fixspec - Mar 10 2023

web book description one of the most radical and unorthodox interpretations of retrograde planets yet published disregarding the traditional good and bad explanation the

astrology and reincarnation vol 11 pdf free elections freep - Aug 03 2022

web cancer yearly horoscope 2011 according to indian astrology indian astrology 2011 vedic astrology 2011 hindu astrology 2011 free astrology 2011 astrology 2011

astrology and reincarnation vol 11 ftp bonide - Oct 05 2022

web astrology and reincarnation vol 11 mushoku tensei jobless reincarnation light novel vol 5 aug 26 2022 father vs son rudeus and his party arrive in millishion

retrogrades and reincarnation by martin schulman librarything - Feb 09 2023

web astrology and reincarnation vol 11 astrology and reincarnation vol 11 807698 karmic astrology volume 1 the moons nodes and manly p hall influences of astrology

astrology and reincarnation vol 11 pdf uniport edu - Jul 14 2023

web apr 13 2023 astrology and reincarnation vol 11 2 11 downloaded from uniport edu ng on april 13 2023 by guest almanac show how knowledge of astrological trends enable

[astrology and reincarnation vol 11 festival raindance](#) - Dec 07 2022

web astrology and reincarnation vol 11 the message of aquaria esoteric astrology vol 3 personal survival astrogeographia the message of aquaria the astrology of the four

astrology and reincarnation vol 11 pdf uniport edu - Dec 27 2021

web aug 9 2023 astrology and reincarnation vol 11 pdf is available in our digital library an online access to it is set as public so you can download it instantly our book servers

karmic astrology schulman martin 1941 free - Jun 13 2023

web jul 20 2023 if you seek to download and install the astrology and reincarnation vol 11 it is unconditionally simple then previously currently we extend the connect to purchase

astrology and reincarnation kindle edition - Nov 06 2022

web within the captivating pages of astrology and reincarnation vol 11 pdf a literary masterpiece penned with a renowned author readers embark on a transformative

astrology and reincarnation vol 11 uniport edu - Feb 26 2022

web astrology and reincarnation vol 11 is universally compatible gone any devices to read esoteric astrology vol 2 dr douglas m baker 2014 04 16 esoteric astrology vol

astrology and reincarnation vol 11 copy uniport edu - May 12 2023

web 2 astrology and reincarnation vol 11 2021 10 06 chart the auther places a new tool in the hands of astrologers and opens up new possibilities for astrology as a science on this

beneath the tamarind tree a story of courage family - Sep 08 2023

web jul 9 2019 beneath the tamarind tree is a gripping read and a story of resilience with a soaring message of hope at its core reminding us of the ever present truth that progress

beneath the tamarind tree a story of courage family and the - Feb 01 2023

web beneath the tamarind tree a story of courage family and the lost schoolgirls of boko haram audible audiobook unabridged isha sesay author narrator harperaudio

beneath the tamarind tree a story of courage family and the - Jun 24 2022

web beneath the tamarind tree a story of courage fami the great wave of tamarind under the tamarind tree a novel the global women s movement the namesake

beneath the tamarind tree a story of courage family and the - Jul 26 2022

web jul 9 2019 beneath the tamarind tree a story of courage family and the lost schoolgirls of boko haram by isha sesay has an overall rating of positive based on 8

beneath the tamarind tree a story of courage family and the - Jun 05 2023

web beneath the tamarind tree styled as beneath the tamarind tree a story of courage family and the lost schoolgirls of boko haram is a 2019 non fiction social novel by isha

beneath the tamarind tree a story of courage family and the - Feb 18 2022

beneath the tamarind tree a story of courage family and the - Jan 20 2022

beneath the tamarind tree a story of courage family and the - Nov 29 2022

web apr 28 2020 originally posted on *beneath the tamarind tree a story of courage family and the lost schoolgirls of boko haram* it is no accident that the places in the

the story of the boko haram schoolgirls by a - Mar 02 2023

web *beneath the tamarind tree a story of courage family and the lost schoolgirls of boko haram* isha sesay the host of cnn newsroom live presents a definitive account

beneath the tamarind tree wikipedia - May 04 2023

web in *beneath the tamarind tree* isha sesay tells this story as no one else can originally from sierra leone sesay led cnn s africa reporting for more than a decade and she

beneath the tamarind tree a story of courage fami db csda - Apr 22 2022

web jul 9 2019 *beneath the tamarind tree a story of courage family and the lost schoolgirls of boko haram* kindle edition by isha sesay author format kindle edition

beneath the tamarind tree a story of courage family and the - Sep 27 2022

web *beneath the tamarind tree a story of courage family and the lost schoolgirls of boko haram* sesay isha amazon com tr kitap

amazon com customer reviews beneath the tamarind tree a - Mar 22 2022

web *beneath the tamarind tree* is a gripping read and a story of resilience with a soaring message of hope at its core reminding us of the ever present truth that progress for all of

beneath the tamarind tree a story of courage - Oct 09 2023

web *beneath the tamarind tree* is a gripping read and a story of resilience with a soaring message of hope at its core reminding us of the ever present truth that progress for all of

beneath the tamarind tree a story of courage family and the lost - Dec 31 2022

web *beneath the tamarind tree* is a gripping read and a story of resilience with a soaring message of hope at its core reminding us of the ever present truth that progress for all of

beneath the tamarind tree a story of courage family and the - Oct 29 2022

web *beneath the tamarind tree a story of courage family and the lost schoolgirls of boko haram*

beneath the tamarind tree a story of courage family and the - Jul 06 2023

web beneath the tamarind tree is a gripping read and a story of resilience with a soaring message of hope at its core reminding us of the ever present truth that progress for all of

beneath the tamarind tree a story of courage family and the - Apr 03 2023

web beneath the tamarind tree a story of courage family and the lost schoolgirls of boko haram ebook written by isha sesay read this book using google play books app on

beneath the tamarind tree a story of courage family - Aug 07 2023

web nov 14 2019 buy beneath the tamarind tree a story of courage family and the lost schoolgirls of boko haram by sesay isha isbn 9780062686671 from amazon s book

beneath the tamarind tree a story of courage family and the lost - Aug 27 2022

web beneath the tamarind tree a story of courage family and the lost schoolgirls of boko haram library edition sesay isha amazon com tr kitap

book marks reviews of beneath the tamarind tree a story of - May 24 2022

web oct 20 2019 find helpful customer reviews and review ratings for beneath the tamarind tree a story of courage family and the lost schoolgirls of boko haram at