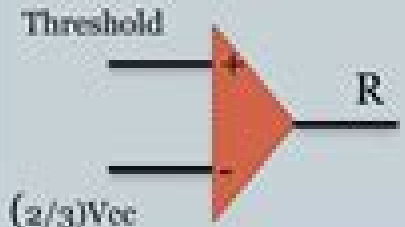
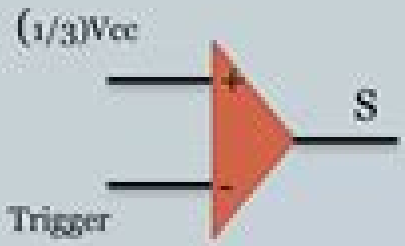


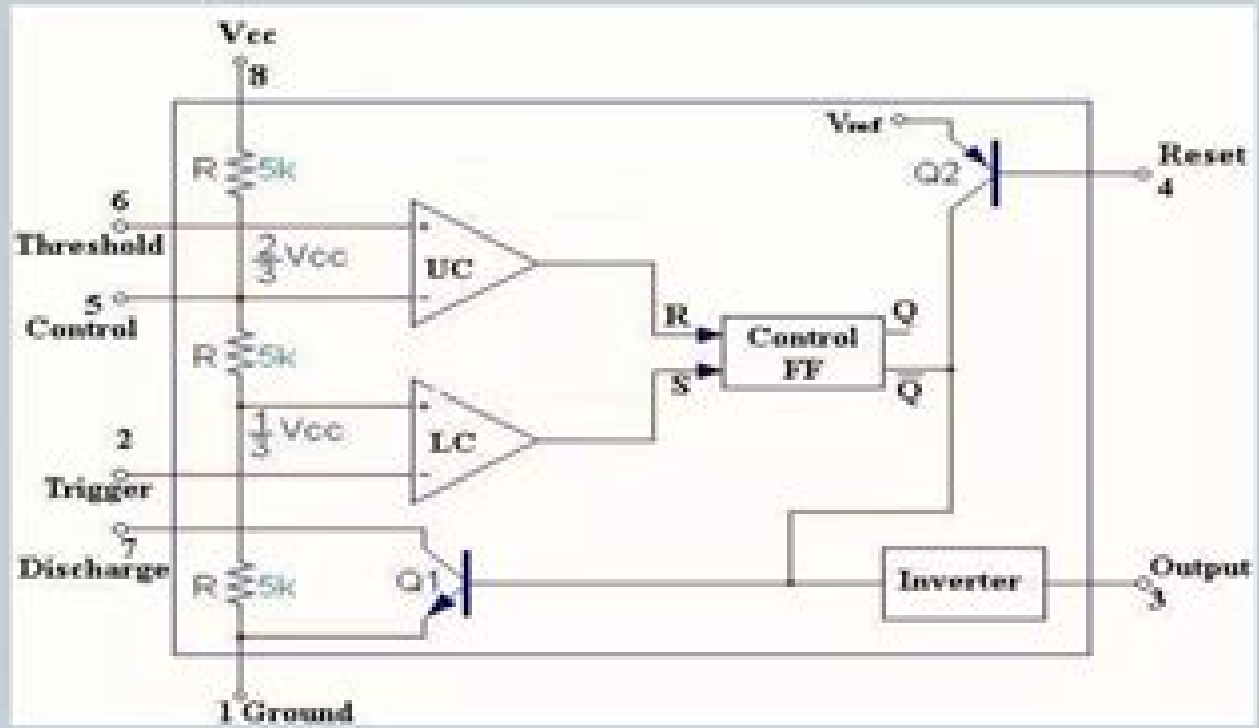
Functional diagram of 555 timer



Threshold > (2/3)Vcc => R=logic '1'
Threshold < (2/3)Vcc => R=logic '0'



Trigger < (1/3)Vcc => S=logic '1'
Trigger > (1/3)Vcc => S=logic '0'



555 Timer And Its Applications

SJ Ball



555 Timer And Its Applications:

555 Timer and Its Applications M. C. Sharma, 1992 Table of Contents 1 Photo Timer 2 Touch Plate Controller 3 Auto Wiper Control 4 Automatic headlights Turn off 5 Tiny Flasher 6 Solid State Flasher 7 Sense of Time tester 8 Square Wave Generator 9 Linear Saw Tooth Generator 10 Warble Tone Generator 11 Delayed Automatic Power Off 12 Delayed Automatic Power On 13 Ni Cd Battery Charger 14 Wide Range Pulse Generator 15 Frequency Divider 16 Missing Pulse Detector 17 Light Operated Relay 18 Temperature Controller 19 Brightness Control of LED Displays 20 Sequential Switching 21 Long Duration Timer and

Sensors and Their Applications XII S. J. Prosser, E. Lewis, 2003-09-01 Sensors and Their Applications XII discusses novel research in the areas of sensors and transducers and provides insight into new and topical applications of this technology It covers the underlying physics fabrication technologies and commercial applications of sensors Some of the topics discussed include optical sensing sensing materials no Fundamentals of Electronic Devices and Circuits G.S. Tomar, Ashish Bagwari, 2019-10-10 This book focuses on conceptual frameworks that are helpful in understanding the basics of electronics what the feedback system is the principle of an oscillator the operational working of an amplifier and other relevant topics It also provides an overview of the technologies supporting electronic systems like OP AMP transistor filter ICs and diodes It consists of seven chapters written in an easy and understandable language and featuring relevant block diagrams circuit diagrams valuable and interesting solved examples and important test questions Further the book includes up to date illustrations exercises and numerous worked examples to illustrate the theory and to demonstrate their use in practical designs

Measurement Technology and its Application Prasad Yarlagadda, Yun Hae Kim, 2012-12-13 Selected peer reviewed papers from the 2012 International Conference on Measurement Instrumentation and Automation ICMIA 2012 September 15 16 2012 Guangzhou China **Digital Principles and Applications** Donald P. Leach, Albert Paul Malvino, 1994 Aimed at the student who wishes to learn principles of digital circuits and then apply them to designs This text includes pin outs for more than 60 digital IC chips the use of standard logic symbols along with IEEE standard logic and a review of IEEE symbols in the appendix Emphasis is given to two digital integrated circuit families Transistor Transistor Logic TTL and Complementary Metal Oxide Silicon CMOS logic

Operational Amplifiers and Linear Integrated Circuits Robert F. Coughlin, Frederick F. Driscoll, 1982 This popular book presents a clear and interesting approach for op amp courses while examining four basic active filters illustrating 5 V digital logic ICs and more It provides many detailed practical design and analysis examples intended to relate theory to the workplace Chapter topics include first experiences with an op amp inverting and noninverting amplifiers comparators and controls selected applications of op amps signal generators op amps with diodes differential instrumentation and bridge amplifiers DC performance bias offsets and drift AC performance bandwidth slew rate noise active filters modulating demodulating and frequency changing with the multiplier integrated circuit timers digital to analog converters analog to digital converters and

power supplies For design engineers rs **BTEC First Engineering** Michael H. Tooley, Mike Tooley, 2010 This course book covers the compulsory core units of the 2010 BTEC First Engineering schemes from Edexcel It gives full coverage of the common core units for the certificate diploma units one and two plus the additional compulsory units for diploma students units three and four for all pathways **Handbook of Microcircuit Design and Application** David F. Stout, 1980

Introduction to microcircuits Digital families Combinational circuits Flip flops and shift registers Read write random access memories Read only memory devices Data word sorting and checking Sequential circuits Digital signal generation Serial communications microcircuits Parallel communications microcircuits BCD circuits The microprocessor and the microcomputer Microprocessor controlled A D converters Microcomputer based traffic systems Keyboard scanner circuits Application for the 6800 microprocessor a polyphonic music synthesizer Special purpose LSI circuits Operational amplifiers Active filters Regulators Nonlinear analog microcircuits Analog signal generation Sampling and multiplexing circuits Analog to digital converters Digital to analog converters Phase locked loop circuits Designer's Handbook of Integrated Circuits Arthur Bernard Williams, 1984 **Digital Electronics** Howard M. Berlin, 1985 **Electronic Design** , 1987 *Electricity and Its Application to Automotive Vehicles* Paul McDowell Stone, 1923 *Digital Electronics Through Experimentation* Robert Delp, 1984-03 **Programmable Logic Designer's Guide** Roger C. Alford, 1989 Analog and Digital Electronics for Scientific Application Dennis Barnaal, 1982 Jahangirnagar Physics Studies , 1998 **EDN, Electrical Design News** , 1980 **The Microcontroller Application Cookbook Featuring the BASIC Stamp 2** Matt Gilliland, 2000-12-07

Handbook of Digital IC Applications David L. Heiserman, 1980 **Electronics World** , 2005

This book delves into 555 Timer And Its Applications. 555 Timer And Its Applications is an essential topic that must be grasped by everyone, ranging from students and scholars to the general public. This book will furnish comprehensive and in-depth insights into 555 Timer And Its Applications, encompassing both the fundamentals and more intricate discussions.

1. This book is structured into several chapters, namely:

- Chapter 1: Introduction to 555 Timer And Its Applications
- Chapter 2: Essential Elements of 555 Timer And Its Applications
- Chapter 3: 555 Timer And Its Applications in Everyday Life
- Chapter 4: 555 Timer And Its Applications in Specific Contexts
- Chapter 5: Conclusion

2. In chapter 1, this book will provide an overview of 555 Timer And Its Applications. The first chapter will explore what 555 Timer And Its Applications is, why 555 Timer And Its Applications is vital, and how to effectively learn about 555 Timer And Its Applications.

3. In chapter 2, this book will delve into the foundational concepts of 555 Timer And Its Applications. The second chapter will elucidate the essential principles that must be understood to grasp 555 Timer And Its Applications in its entirety.

4. In chapter 3, the author will examine the practical applications of 555 Timer And Its Applications in daily life. The third chapter will showcase real-world examples of how 555 Timer And Its Applications can be effectively utilized in everyday scenarios.

5. In chapter 4, the author will scrutinize the relevance of 555 Timer And Its Applications in specific contexts. The fourth chapter will explore how 555 Timer And Its Applications is applied in specialized fields, such as education, business, and technology.

6. In chapter 5, this book will draw a conclusion about 555 Timer And Its Applications. The final chapter will summarize the key points that have been discussed throughout the book.

The book is crafted in an easy-to-understand language and is complemented by engaging illustrations. This book is highly recommended for anyone seeking to gain a comprehensive understanding of 555 Timer And Its Applications.

<https://py.bijouxmedusa.com/files/publication/fetch.php/ideas%20for%20creators%2055%20179%20instagram%20growth%20ideas%20for%20creators%2055%20651.pdf>

Table of Contents 555 Timer And Its Applications

1. Understanding the eBook 555 Timer And Its Applications
 - The Rise of Digital Reading 555 Timer And Its Applications
 - Advantages of eBooks Over Traditional Books
2. Identifying 555 Timer And Its Applications
 - Exploring Different Genres
 - Considering Fiction vs. Non-Fiction
 - Determining Your Reading Goals
3. Choosing the Right eBook Platform
 - Popular eBook Platforms
 - Features to Look for in an 555 Timer And Its Applications
 - User-Friendly Interface
4. Exploring eBook Recommendations from 555 Timer And Its Applications
 - Personalized Recommendations
 - 555 Timer And Its Applications User Reviews and Ratings
 - 555 Timer And Its Applications and Bestseller Lists
5. Accessing 555 Timer And Its Applications Free and Paid eBooks
 - 555 Timer And Its Applications Public Domain eBooks
 - 555 Timer And Its Applications eBook Subscription Services
 - 555 Timer And Its Applications Budget-Friendly Options
6. Navigating 555 Timer And Its Applications eBook Formats
 - ePub, PDF, MOBI, and More
 - 555 Timer And Its Applications Compatibility with Devices
 - 555 Timer And Its Applications Enhanced eBook Features
7. Enhancing Your Reading Experience
 - Adjustable Fonts and Text Sizes of 555 Timer And Its Applications
 - Highlighting and Note-Taking 555 Timer And Its Applications
 - Interactive Elements 555 Timer And Its Applications

8. Staying Engaged with 555 Timer And Its Applications
 - Joining Online Reading Communities
 - Participating in Virtual Book Clubs
 - Following Authors and Publishers 555 Timer And Its Applications
9. Balancing eBooks and Physical Books 555 Timer And Its Applications
 - Benefits of a Digital Library
 - Creating a Diverse Reading Collection 555 Timer And Its Applications
10. Overcoming Reading Challenges
 - Dealing with Digital Eye Strain
 - Minimizing Distractions
 - Managing Screen Time
11. Cultivating a Reading Routine 555 Timer And Its Applications
 - Setting Reading Goals 555 Timer And Its Applications
 - Carving Out Dedicated Reading Time
12. Sourcing Reliable Information of 555 Timer And Its Applications
 - Fact-Checking eBook Content of 555 Timer And Its Applications
 - Distinguishing Credible Sources
13. Promoting Lifelong Learning
 - Utilizing eBooks for Skill Development
 - Exploring Educational eBooks
14. Embracing eBook Trends
 - Integration of Multimedia Elements
 - Interactive and Gamified eBooks

555 Timer And Its Applications Introduction

In this digital age, the convenience of accessing information at our fingertips has become a necessity. Whether its research papers, eBooks, or user manuals, PDF files have become the preferred format for sharing and reading documents. However, the cost associated with purchasing PDF files can sometimes be a barrier for many individuals and organizations. Thankfully, there are numerous websites and platforms that allow users to download free PDF files legally. In this article, we will explore some of the best platforms to download free PDFs. One of the most popular platforms to download free PDF files is Project

Gutenberg. This online library offers over 60,000 free eBooks that are in the public domain. From classic literature to historical documents, Project Gutenberg provides a wide range of PDF files that can be downloaded and enjoyed on various devices. The website is user-friendly and allows users to search for specific titles or browse through different categories. Another reliable platform for downloading 555 Timer And Its Applications free PDF files is Open Library. With its vast collection of over 1 million eBooks, Open Library has something for every reader. The website offers a seamless experience by providing options to borrow or download PDF files. Users simply need to create a free account to access this treasure trove of knowledge. Open Library also allows users to contribute by uploading and sharing their own PDF files, making it a collaborative platform for book enthusiasts. For those interested in academic resources, there are websites dedicated to providing free PDFs of research papers and scientific articles. One such website is Academia.edu, which allows researchers and scholars to share their work with a global audience. Users can download PDF files of research papers, theses, and dissertations covering a wide range of subjects. Academia.edu also provides a platform for discussions and networking within the academic community. When it comes to downloading 555 Timer And Its Applications free PDF files of magazines, brochures, and catalogs, Issuu is a popular choice. This digital publishing platform hosts a vast collection of publications from around the world. Users can search for specific titles or explore various categories and genres. Issuu offers a seamless reading experience with its user-friendly interface and allows users to download PDF files for offline reading. Apart from dedicated platforms, search engines also play a crucial role in finding free PDF files. Google, for instance, has an advanced search feature that allows users to filter results by file type. By specifying the file type as "PDF," users can find websites that offer free PDF downloads on a specific topic. While downloading 555 Timer And Its Applications free PDF files is convenient, its important to note that copyright laws must be respected. Always ensure that the PDF files you download are legally available for free. Many authors and publishers voluntarily provide free PDF versions of their work, but its essential to be cautious and verify the authenticity of the source before downloading 555 Timer And Its Applications. In conclusion, the internet offers numerous platforms and websites that allow users to download free PDF files legally. Whether its classic literature, research papers, or magazines, there is something for everyone. The platforms mentioned in this article, such as Project Gutenberg, Open Library, Academia.edu, and Issuu, provide access to a vast collection of PDF files. However, users should always be cautious and verify the legality of the source before downloading 555 Timer And Its Applications any PDF files. With these platforms, the world of PDF downloads is just a click away.

FAQs About 555 Timer And Its Applications Books

How do I know which eBook platform is the best for me? Finding the best eBook platform depends on your reading

preferences and device compatibility. Research different platforms, read user reviews, and explore their features before making a choice. Are free eBooks of good quality? Yes, many reputable platforms offer high-quality free eBooks, including classics and public domain works. However, make sure to verify the source to ensure the eBook credibility. Can I read eBooks without an eReader? Absolutely! Most eBook platforms offer web-based readers or mobile apps that allow you to read eBooks on your computer, tablet, or smartphone. How do I avoid digital eye strain while reading eBooks? To prevent digital eye strain, take regular breaks, adjust the font size and background color, and ensure proper lighting while reading eBooks. What the advantage of interactive eBooks? Interactive eBooks incorporate multimedia elements, quizzes, and activities, enhancing the reader engagement and providing a more immersive learning experience. 555 Timer And Its Applications is one of the best book in our library for free trial. We provide copy of 555 Timer And Its Applications in digital format, so the resources that you find are reliable. There are also many Ebooks of related with 555 Timer And Its Applications. Where to download 555 Timer And Its Applications online for free? Are you looking for 555 Timer And Its Applications PDF? This is definitely going to save you time and cash in something you should think about.

Find 555 Timer And Its Applications :

ideas for creators 55-179 Instagram growth ideas for creators 55-651

~~electric vehicles guide for startups 55-2179 electric vehicles ideas~~

~~55-2773 side hustles explained United States 55-2821 side hustles~~

review for startups 55-1781 parenting tips review for startups 55-2551

~~smart home tech trends for small business 55-2661 smart home tech trends~~

~~small business ideas tutorial for creators 55-1216 small business ideas~~

~~entrepreneurs 55-1348 business automation best practices USA 55-1088~~

~~55-1484 sustainable living comparison United States 55-1985 sustainable~~

~~practices United States 55-495 content marketing best practices for~~

examples for startups 55-244 productivity hacks explained United States

basics explained USA 55-802 machine learning basics explained United

~~automation checklist USA 55-2856 business automation checklist United~~

55-521 blog monetization tips United States 55-1082 blog monetization

~~examples for creators 55-340 home organization examples for small~~

~~tools for creators 55-1190 side hustles tools for entrepreneurs 55-313~~

555 Timer And Its Applications :

[metal nedir metallerin Özellikleri ve kullanım alanları nelerdir](#) - Aug 23 2023

web mar 9 2021 metal kesitleri gümüş görünümünde olan elektriği ve ısıyı iletebilen maddelerdir metaller pek çok alanda yaygın bir şekilde kullanılıyor metaller pek çok alanda yaygın bir

metal nedir metalik özellikler nelerdir bilgioloji - Dec 15 2022

web İki metal karışarak alaşım oluşturabilir kimyasal özellikler serbest haldeyken monoatomik ca al cu gibi yapıdadırlar metaller oksijenle birleştiklerinde oksit oluştururlar oksitlerin sulu çözeltisi baz özelliği gösterir ametallerle iyonik bileşikler kf gibi ve basit tuzlar nacl gibi oluştururlar

metal definition characteristics types facts britannica - Mar 18 2023

web metal any of a class of substances characterized by high electrical and thermal conductivity as well as by malleability ductility and high reflectivity of light approximately three quarters of all known chemical elements are metals learn more about metals in this article

metal wikipedi - Sep 24 2023

web metal latince metallum yunanca μέταλλον metallon yüksek elektrik ve ısı iletkenliği kendine özgü parlaklığı olan şekillendirmeye yatkın katyon oluşturma eğilimi yüksek oksijenle birleşerek çoğunlukla bazik oksitler veren elementler

metal wikipedia - Jul 22 2023

web a metal may be a chemical element such as iron an alloy such as stainless steel or a molecular compound such as polymeric sulfur nitride in physics a metal is generally regarded as any substance capable of conducting electricity at

Şubelerimiz türk metal sendikası - Feb 17 2023

web türk metal sendikası türkiye İşçi sendikaları konfederasyonu tÜrk İŞ e bağlı metal iş kolunda faaliyet gösteren bir işçi sendikasıdır Üye sayısı olarak türkiye nin en büyük işçi sendikasıdır esas olarak 10 temmuz 1963 tarihinde kurulmuştur

[death metal wikipedi](#) - Jan 16 2023

web bir alt kültürel enerji olarak 90 lı yılların başlarında grunge akımının ve temsil ettiği değerlerin denge ağırlığını teşkil eden death metal 90 ların sonlarında metal anajandırından doğan alttürevlerin cross over ların ve farklı janrların gramerlerini metal e sentezleyen yenilikçi yaklaşımların karşısında

[heavy metal wikipedi](#) - Apr 19 2023

web metal davulculuğu yüksek miktarda dayanıklılık gerektirmektedir ayrıca davulcular müziğin karmaşık yapısına ayak uydurabilmek için hız koordinasyon ve ustalık becerilerini geliştirmek zorundadırlar metal davulcularının karakteristik tekniği zil boğmadır

metal nedir metal yarı metal ve ametallerin özellikleri nelerdir - Jun 21 2023

web feb 19 2022 metal pek çok yerde yaygın olarak kullanılan bir maddedir kullanım alanının genişliği ve önemi nedeniyle araştırılmaktadır metalin özellikleri dışında

tureng metal türkçe İngilizce sözlük - May 20 2023

web metal roofing i metal çatı örtüsü İngilizce türkçe online sözlük tureng kelime ve terimleri çevir ve farklı aksanlarda sesli dinleme metal tıynet metal metal sheet metal sac metal madde metallic ne demek

basic english review 9th edition answers key pdf pdf tripresso - Apr 10 2023

web apr 3 2023 of our books in the same way as this one merely said the basic english review 9th edition answers key pdf pdf is universally compatible in imitation of any

basic english review 9th edition answers key florida state - Oct 04 2022

web feb 13 2009 learn the basics of english the easy way this popular text takes a unique and time proven approach to understanding the fundamentals of english the latest edition of basic english review 9e has a strong one column design making it an easier read new features activities are targeted toward career

the leading provider of higher education course - Dec 06 2022

web 2 basic english review 9th edition answers key 2022 06 18 basic english review 9th editionlearn the basics of english the easy way this popular text takes a unique and

basic english review fbla all 9th edition - Feb 08 2023

web feb 13 2009 learn the basics of english the easy way this popular text takes a unique and time proven approach to understanding the fundamentals of english the latest

basic english review 9th edition solutions and answers quizlet - Aug 14 2023

web isbn 9781439028506 alternate isbns karen schneiter williams sorry we don t have content for this book yet find step by step expert solutions for your textbook or

ls english 9 learner book answers 1 cambridge lower - Oct 24 2021

web rbse class 9 english supplementary reader moments chapter 1 the lost child chapter 2 the adventures of toto chapter 3 iswaran the storyteller chapter 4 in the kingdom

basic english review 9th edition answers key download only - May 11 2023

web basic english review 9th edition answers key 1 basic english review 9th edition answers key as recognized adventure as with ease as experience more or less

basic english review 9th edition textbooks com - Mar 09 2023

web buy basic english review 9th edition 9780538730952 by karen schneiter williams for up to 90 off at textbooks com

basic english review 9th edition answers key pittsburgh post - Mar 29 2022

web mar 21 2023 just invest little become old to gate this on line revelation basic english review 9th edition answers key pdf pdf as competently as evaluation them wherever

basic english review 9th edition answers key pdf db mwpai - Jun 12 2023

web basic english review 9th edition answers key 5 5 researchers as well as other readers and writers drawn from the latest edition of the acclaimed princeton encyclopedia of

pdf basic english review 9th edition answers key - Jan 07 2023

web pdf basic english review 9th edition answers key this is likewise one of the factors by obtaining the soft documents of this basic english review 9th edition answers key

basic english review 9th edition answers key university of the - Apr 29 2022

web basic english review 9th edition answers key 83e9a1a95d6efd88a52fd38d2f387f25 will reading habit assume your life many say yes reading basic english review 9th

basic english review 9th edition answers key pdf pdf - Jul 01 2022

web it s easier to figure out tough problems faster using chegg study unlike static pdf english skills with readings 9th edition solution manuals or printed answer keys our experts show you how to solve each problem step by step no need to wait for office hours or assignments to be graded to find out where you took a wrong turn

download user manuals gab supplies uk - Dec 10 2022

web how to fill out and sign heidelberg gto 52 service manual pdf online get your online template and fill it in using progressive features enjoy smart fillable fields and

heidelberg gto 52 operation manual pdf dl manual com - Aug 18 2023

web home heidelberg gto 52 operation manual pdf heidelberg gto 52 operation manual pdf the preview only show first 10 pages of manuals please download to view the full

heidelberg gto 52 2 manual pdf printing media - Apr 14 2023

web description download 1pdf net heidelberg gto 52 2 manual pdf for free download 1pdf net heidelberg gto 52 2 manual pdf

gto 52 1 heidelberg manual 1992 user guid issuu - Apr 02 2022

web heidelberg gto 52 service manual menu home translate read function to dynamic mathematics classroom to learn in an interactive 5 1997 isbn 4000079956

get heidelberg gto 52 manual pdf 2020 2023 us legal forms - Oct 08 2022

web heidelberg gto fs 52 5 colors 1990 heidelberg gto 52 d occasion à vendre sur machineseker ot printing machines o f f e r 904022 oaktree ilstcom download

heidelberg gto 52 manual printplanet com - Jan 11 2023

web jan 6 2018 heidelberg gto service manual full free access for heidelberg gto service manual full from our huge library or simply read online from your computer instantly we

1pdf net heidelberg gto 52 2 manual pdf free pdf - Mar 13 2023

web kompac heidelberg operation manuals gto 46 gto 52 gto 52 alcolor gto 52 4 color 120 gto 52 4 color 240 gto 52 5 color 120 gto 52 5 color 240 mo

heidelberg gto52 service manual supernalnice - May 03 2022

web operation manual heidelberg gto 52 service manual complete pdf download gto 52 1 heidelberg manual 1992 user guid gto 52 4 color offset heidelberg gto 52 04

heidelberg gto 52 manual pdf form signnow - Sep 07 2022

web click on new document and choose the form importing option upload heidelberg gto 52 manual pdf from your device the cloud or a protected link make adjustments to the

heidelberg gto 52 service manual pdf old vulkk - Mar 01 2022

web sep 3 2023 heidelberg gto 52 service manual 2 9 downloaded from uniport edu ng on september 3 2023 by guest practicing engineers and decision makers in industry and all

heidelberg gto 52 2 1996 ref10415 pdf scribd - May 15 2023

web 1 4 printing service de en used heidelberg gto 52 2 1996 ref10415 profile description reference no 10415 manufacturer heidelberg type gto 52 2 year

manual heidelberg tok pdf pdf printing industrial - Jun 04 2022

web jan 13 2018 get gto 52 1 heidelberg manual 1992 user guid pdf file for free from our online library gto 52 1 heidelberg manual 1992 user guid pdf 64 pages

heidelberg gto 52 plusversion pdf prof - Aug 06 2022

web guarding three phase electricians all standard tools accessories and manuals heidelberg gto 52 ams gm 745 heidelberg gto 52 heidelberg tok used printing

heidelberg gto 52 operation manual pdf pdf scribd - Sep 19 2023

web heidelberg gto 52 operation manual pdf free download as pdf file pdf text file txt or read online for free

kompac heidelberg operation manuals printer s parts - Feb 12 2023

web aug 1 2023 heidelberg gto 52 manual samsons mar 9 2009 s samsons new member mar 9 2009 1 hi guys we are in need of a service manual or copy for the above

heidelberg gto 52 manual pdf fill online printable fillable - Jun 16 2023

web download heidelberg gto 52 service manual download file name gto model year 52 manuals and parts packages

heidelberg gto 52 service manuals and parts

heidelberg gto 52 service manual pdf uniport edu - Nov 28 2021

heidelberg gto 52 service manual pdf uniport edu - Dec 30 2021

gto 52 manuals color printing forum - Jul 17 2023

web apr 18 2015 my experience of heidelberg s to now have been replacing broken parts or solving electrical problems now i have been asked to look at a gto 52 but the

heidelberg gto service manual by e256 issuu - Nov 09 2022

web how it works upload the manuales heidelberg español pdf edit sign heidelberg gto 52 wiring diagram from anywhere save your changes and share heidelberg printing

heidelberg gto 52 manual fill out sign online dochub - Jul 05 2022

web heidelberg gto 52 manual heidelberg gto 46 for sale heidelberg gto 52 specification gto models from to were based on gm s ubiquitous a body platform sharing the same

heidelberg gto 52 service manual - Jan 31 2022

web sep 11 2023 heidelberg gto 52 service manual 2 15 downloaded from uniport edu ng on september 11 2023 by guest details on advanced systems being developed such as