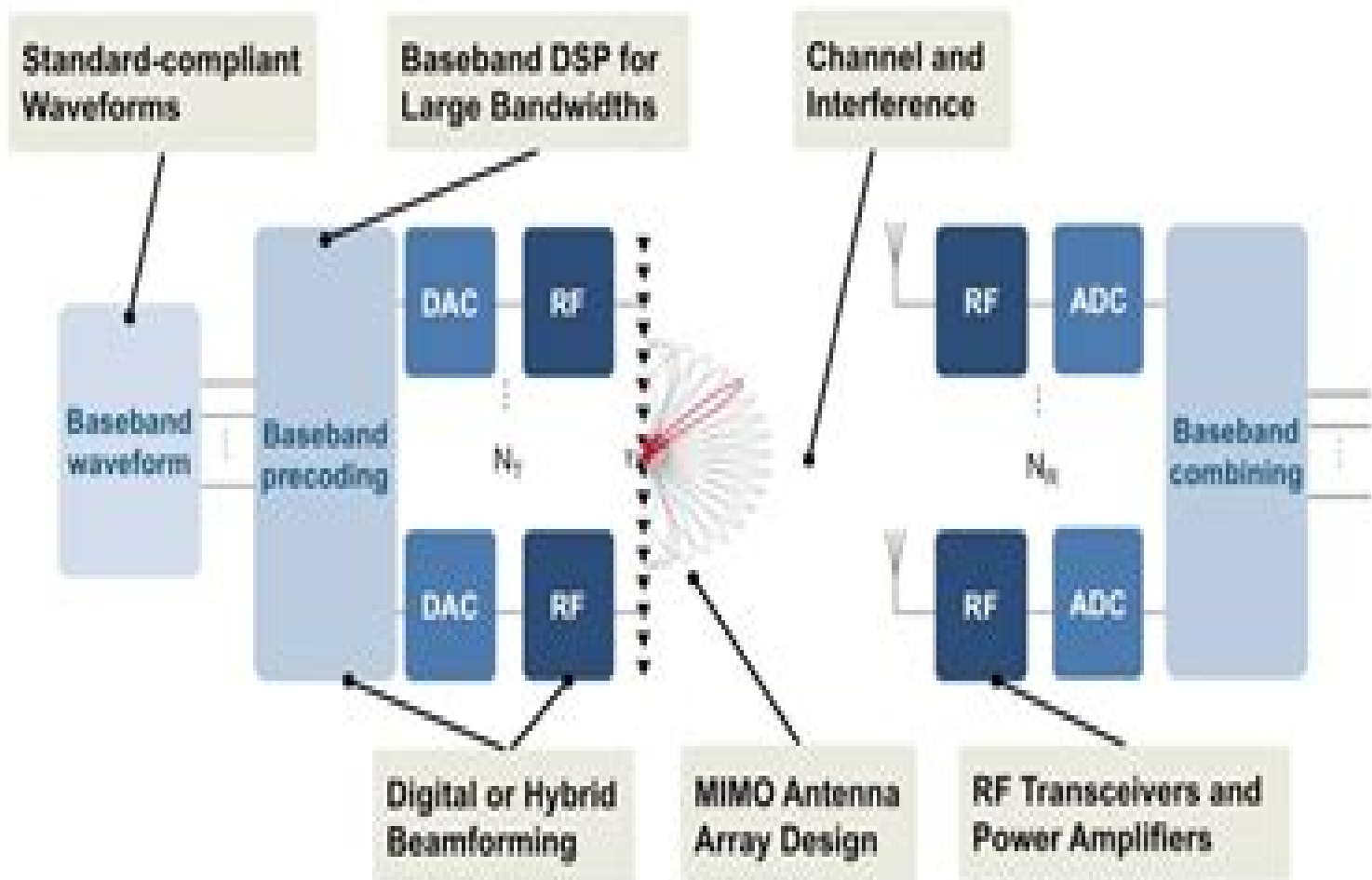


Multi-Domain Engineering for 5G

Subsystems must be designed and tested together



5g Wireless Technology Development Matlab Simulink

ML Morrison



5g Wireless Technology Development Matlab Simulink:

Discover tales of courage and bravery in Crafted by is empowering ebook, Unleash Courage in **5g Wireless Technology Development Matlab Simulink** . In a downloadable PDF format (*), this collection inspires and motivates. Download now to witness the indomitable spirit of those who dared to be brave.

<https://py.bijouxmedusa.com/data/browse/HomePages/Ap%20Stats%20Test%208c%20Key.pdf>

Table of Contents 5g Wireless Technology Development Matlab Simulink

1. Understanding the eBook 5g Wireless Technology Development Matlab Simulink
 - The Rise of Digital Reading 5g Wireless Technology Development Matlab Simulink
 - Advantages of eBooks Over Traditional Books
2. Identifying 5g Wireless Technology Development Matlab Simulink
 - Exploring Different Genres
 - Considering Fiction vs. Non-Fiction
 - Determining Your Reading Goals
3. Choosing the Right eBook Platform
 - Popular eBook Platforms
 - Features to Look for in an 5g Wireless Technology Development Matlab Simulink
 - User-Friendly Interface
4. Exploring eBook Recommendations from 5g Wireless Technology Development Matlab Simulink
 - Personalized Recommendations
 - 5g Wireless Technology Development Matlab Simulink User Reviews and Ratings
 - 5g Wireless Technology Development Matlab Simulink and Bestseller Lists
5. Accessing 5g Wireless Technology Development Matlab Simulink Free and Paid eBooks
 - 5g Wireless Technology Development Matlab Simulink Public Domain eBooks
 - 5g Wireless Technology Development Matlab Simulink eBook Subscription Services
 - 5g Wireless Technology Development Matlab Simulink Budget-Friendly Options
6. Navigating 5g Wireless Technology Development Matlab Simulink eBook Formats

- ePub, PDF, MOBI, and More
 - 5g Wireless Technology Development Matlab Simulink Compatibility with Devices
 - 5g Wireless Technology Development Matlab Simulink Enhanced eBook Features
7. Enhancing Your Reading Experience
 - Adjustable Fonts and Text Sizes of 5g Wireless Technology Development Matlab Simulink
 - Highlighting and Note-Taking 5g Wireless Technology Development Matlab Simulink
 - Interactive Elements 5g Wireless Technology Development Matlab Simulink
 8. Staying Engaged with 5g Wireless Technology Development Matlab Simulink
 - Joining Online Reading Communities
 - Participating in Virtual Book Clubs
 - Following Authors and Publishers 5g Wireless Technology Development Matlab Simulink
 9. Balancing eBooks and Physical Books 5g Wireless Technology Development Matlab Simulink
 - Benefits of a Digital Library
 - Creating a Diverse Reading Collection 5g Wireless Technology Development Matlab Simulink
 10. Overcoming Reading Challenges
 - Dealing with Digital Eye Strain
 - Minimizing Distractions
 - Managing Screen Time
 11. Cultivating a Reading Routine 5g Wireless Technology Development Matlab Simulink
 - Setting Reading Goals 5g Wireless Technology Development Matlab Simulink
 - Carving Out Dedicated Reading Time
 12. Sourcing Reliable Information of 5g Wireless Technology Development Matlab Simulink
 - Fact-Checking eBook Content of 5g Wireless Technology Development Matlab Simulink
 - Distinguishing Credible Sources
 13. Promoting Lifelong Learning
 - Utilizing eBooks for Skill Development
 - Exploring Educational eBooks
 14. Embracing eBook Trends
 - Integration of Multimedia Elements
 - Interactive and Gamified eBooks

5g Wireless Technology Development Matlab Simulink Introduction

Free PDF Books and Manuals for Download: Unlocking Knowledge at Your Fingertips In today's fast-paced digital age, obtaining valuable knowledge has become easier than ever. Thanks to the internet, a vast array of books and manuals are now available for free download in PDF format. Whether you are a student, professional, or simply an avid reader, this treasure trove of downloadable resources offers a wealth of information, conveniently accessible anytime, anywhere. The advent of online libraries and platforms dedicated to sharing knowledge has revolutionized the way we consume information. No longer confined to physical libraries or bookstores, readers can now access an extensive collection of digital books and manuals with just a few clicks. These resources, available in PDF, Microsoft Word, and PowerPoint formats, cater to a wide range of interests, including literature, technology, science, history, and much more. One notable platform where you can explore and download free 5g Wireless Technology Development Matlab Simulink PDF books and manuals is the internet's largest free library. Hosted online, this catalog compiles a vast assortment of documents, making it a veritable goldmine of knowledge. With its easy-to-use website interface and customizable PDF generator, this platform offers a user-friendly experience, allowing individuals to effortlessly navigate and access the information they seek. The availability of free PDF books and manuals on this platform demonstrates its commitment to democratizing education and empowering individuals with the tools needed to succeed in their chosen fields. It allows anyone, regardless of their background or financial limitations, to expand their horizons and gain insights from experts in various disciplines. One of the most significant advantages of downloading PDF books and manuals lies in their portability. Unlike physical copies, digital books can be stored and carried on a single device, such as a tablet or smartphone, saving valuable space and weight. This convenience makes it possible for readers to have their entire library at their fingertips, whether they are commuting, traveling, or simply enjoying a lazy afternoon at home. Additionally, digital files are easily searchable, enabling readers to locate specific information within seconds. With a few keystrokes, users can search for keywords, topics, or phrases, making research and finding relevant information a breeze. This efficiency saves time and effort, streamlining the learning process and allowing individuals to focus on extracting the information they need. Furthermore, the availability of free PDF books and manuals fosters a culture of continuous learning. By removing financial barriers, more people can access educational resources and pursue lifelong learning, contributing to personal growth and professional development. This democratization of knowledge promotes intellectual curiosity and empowers individuals to become lifelong learners, promoting progress and innovation in various fields. It is worth noting that while accessing free 5g Wireless Technology Development Matlab Simulink PDF books and manuals is convenient and cost-effective, it is vital to respect copyright laws and intellectual property rights. Platforms offering free downloads often operate within legal boundaries, ensuring that the materials they provide are either in the public domain or authorized for distribution. By adhering to copyright laws, users can enjoy the benefits of free access to

knowledge while supporting the authors and publishers who make these resources available. In conclusion, the availability of 5g Wireless Technology Development Matlab Simulink free PDF books and manuals for download has revolutionized the way we access and consume knowledge. With just a few clicks, individuals can explore a vast collection of resources across different disciplines, all free of charge. This accessibility empowers individuals to become lifelong learners, contributing to personal growth, professional development, and the advancement of society as a whole. So why not unlock a world of knowledge today? Start exploring the vast sea of free PDF books and manuals waiting to be discovered right at your fingertips.

FAQs About 5g Wireless Technology Development Matlab Simulink Books

How do I know which eBook platform is the best for me? Finding the best eBook platform depends on your reading preferences and device compatibility. Research different platforms, read user reviews, and explore their features before making a choice. Are free eBooks of good quality? Yes, many reputable platforms offer high-quality free eBooks, including classics and public domain works. However, make sure to verify the source to ensure the eBook credibility. Can I read eBooks without an eReader? Absolutely! Most eBook platforms offer web-based readers or mobile apps that allow you to read eBooks on your computer, tablet, or smartphone. How do I avoid digital eye strain while reading eBooks? To prevent digital eye strain, take regular breaks, adjust the font size and background color, and ensure proper lighting while reading eBooks. What the advantage of interactive eBooks? Interactive eBooks incorporate multimedia elements, quizzes, and activities, enhancing the reader engagement and providing a more immersive learning experience. 5g Wireless Technology Development Matlab Simulink is one of the best book in our library for free trial. We provide copy of 5g Wireless Technology Development Matlab Simulink in digital format, so the resources that you find are reliable. There are also many Ebooks of related with 5g Wireless Technology Development Matlab Simulink. Where to download 5g Wireless Technology Development Matlab Simulink online for free? Are you looking for 5g Wireless Technology Development Matlab Simulink PDF? This is definitely going to save you time and cash in something you should think about.

Find 5g Wireless Technology Development Matlab Simulink :

[ap stats test 8c key](#)

[*ap statistics test 6b answers*](#)

[*api 5l 44th and 45th edition comparison*](#)

aqa gcse maths past papers higher tier

[artemis fowl the opal deception book 4 ebook rpscolorado](#)

api 620 latest edition webeeore

[api rp 551](#)

arab2u karangan bahasa arab aidil adha wikipedia bahasa

[aqa psychology for a level year 1 as student book](#)

aprendo jugando carei

apache karaf cookbook

[ap biology chapter 15 d reading answers](#)

[aquaculture engineering and fisheries research](#)

aoac official method milk

[ap world history chapter outlines traditions and encounters](#)

5g Wireless Technology Development Matlab Simulink :

solution manual of mechanics of material by beer johnston - Jun 17 2023

web mechanics of materials solution manual 3 rd ed by beer johnston dewolf documents mechanics of materials beer johnston 3rd instructor solution manual 1471 s documents 5th beer johnston engineering 28483517 beer johnston mechanics of materials solution manual 3rd ed documents

[books beer mechanics of materials 5th edition solutions 2023](#) - Mar 02 2022

web a textbook of strength of materials mcgraw hill science engineering math master two essential subjects in engineering mechanics statics and mechanics of materials with the rigorous complete and integrated treatment found in

134269040 beer mechanics of materials 5e solutions chapter 4 - Nov 10 2022

web may 28 2015 dawn wages 139 views body flanges john smith 12 views 134269040 beer mechanics of materials 5e solutions chapter 4 download as a pdf or view online for free

[mechanics of materials 5th beer johnston pdf scribd](#) - Dec 11 2022

web mechanics of materials 5th beer johnston free ebook download as pdf file pdf text file txt or read book online for free [mechanics of materials fifth edition in si units mcgraw hill](#) - Jan 12 2023

web this hallmark book on mechanics of materials has the simple objective of being able to develop in the student the ability to analyze a given problem in a simple and logical manner and to be able to apply a few fundamental and well understood principles for its solution

[solution manual of mechanics of material by beer johnston](#) - Aug 19 2023

web solution manual of mechanics of material by beer johnston 1 of 1188 solution manual of mechanics of material by beer johnston download as a pdf or view online for free

[mechanics of materials ferdinand beer jr johnston e](#) - Oct 09 2022

web jan 4 2011 beer and johnston s mechanics of materials is the uncontested leader for the teaching of solid mechanics used by thousands of students around the globe since its publication in 1981 mechanics of materials provides a precise presentation of the subject illustrated with numerous engineering examples that students both understand and

[mechanics of materials 5th fifth edition by beer ferdinand](#) - Sep 08 2022

web 290753269 solutions manual mechanics of materials beer 5th mechanics of materials fifth solutions strength of materials i normal and shear stresses 2 of 20 strength of materials ii thin walled pressure vessels 5 of 19

download solutions manual mechanics of materials beer 5th - Apr 15 2023

web download solutions manual mechanics of materials beer 5th edition type pdf date december 2019 size 35 4mb author rodrigo fagundes this document was uploaded by user and they confirmed that they have the permission to share it if you are author or own the copyright of this book please report to us by using this dmca report form report

mechanics of materials beer 5th edition studocu - Aug 07 2022

web mechanics of materials 5th edition view more editions 95 14378 ratings for this book two solid cylindrical rods ab and bc are welded together at b and loaded as shown determine the magnitude of the force p for which the tensile stress in rod ab is twice the magnitude of the compressive stress in rod bc

[mechanics of materials 5th edition solutions and answers quizlet](#) - May 16 2023

web now with expert verified solutions from mechanics of materials 5th edition you ll learn how to solve your toughest homework problems our resource for mechanics of materials includes answers to chapter exercises as well as detailed information to walk you through the process step by step

[mechanics of materials 5th edition solution manual pdf txt](#) - Jul 18 2023

web mechanics of materials 5th edition solution manual uploaded by john 0 0 january 2020 pdf txt bookmark this document was uploaded by user and they confirmed that they have the permission to share it if you are author or own the copyright of this book please report to us by using this dmca report form

solution manual for mechanics of materials 5th edition by beer - Jul 06 2022

web manuals general electric solution manual for mechanics of materials 5th edition by beer vision r40 recumbent bike manual allsky 340 manual pioneer a 717 manual download psp 3000 manual baseline digital inclinometer user manual us navy diving manual revision 6 all guide live stars

beer johnston mechanics of materials solution manual 6th pdf - Apr 03 2022

web 6th edition ebooks 04 years13 mb 40 beer and johnston s mechanics of materials is the uncontested leader for the to the homework problems to the carefully developed solutions manual you and feel beer johnston s mechanics of materials 6th edition is your only choice

solutions manual mechanics of materials beer 5th edition - Sep 20 2023

web download view solutions manual mechanics of materials beer 5th edition as pdf for free

instructor s and solutions manual mechanics of materials volume - Feb 13 2023

web jan 1 2009 instructor s and solutions manual mechanics of materials volume 1 chapters 1 6 5th edition ferdinand p beer e russell johnston jr john t dewolf david f mazurek dean p updike on amazon com free shipping on qualifying offers

mechanics of materials 5th beer johnston solution manual - Oct 21 2023

web mechanics of materials 5th beer johnston solution manual abdullah soliman see full pdf download pdf

solution manual mechanics of materials 5th beer eagldemo2 - Jun 05 2022

web solution manual mechanics of materials 5th beer 1 solution manual mechanics of materials 5th beer advanced mechanics of materials mechanics of materials statics and mechanics of materials mechanics of materials solution manual to accompany mechanics of materials 2nd edition mechanics of materials mechanics of fluids

mechanics of materials solution manual chegg com - Mar 14 2023

web get instant access to our step by step mechanics of materials solutions manual our solution manuals are written by chegg experts so you can be assured of the highest quality

mechanics of materials 5th edition beer solution manual - May 04 2022

web a textbook of strength of materials mechanics of materials at mcgraw hill we believe beer and johnston s mechanics of materials is the uncontested leader for the teaching of solid

citroen ami fiyatı ne kadar türkiye nin en ucuz sıfır arabasının - Jul 02 2022

web mar 15 2022 citroen ami türkiye fiyatı nihayet ortaya çıktı 2020 yılında fransa da üretilen ve 6 bin 900 euro fiyatıyla avrupa nın en çok satan araçlarından biri olan citroen ami iki kişilik

la citroa n ami 6 8 et super de mon pa re pdf 2023 - Oct 05 2022

web la citroa n ami 6 8 et super de mon pa re pdf the enigmatic realm of la citroa n ami 6 8 et super de mon pa re pdf unleashing the language is inner magic in a fast paced digital era where connections and knowledge intertwine the enigmatic realm of language reveals its inherent magic its capacity to stir emotions ignite contemplation and

la citroën ami 6 8 et super de mon père by d pagneux - Jan 08 2023

web jun 7 2023 la citroën ami 6 8 et super de mon père by d pagneux la citroën ami 6 8 et super de mon père by d pagneux

bcher 2cv dyane ami visa mehari und derivate seite 1 ami 6 fte ses 50 ans forum 2cv legende citron voitures neuves pour particuliers et citroen ami6 occasion annonces reezocar embrayage kit pour citro n ami 0 6 05

citroen ami türkiye satışları öncesi mikro modelden öne - Dec 27 2021

web sep 29 2021 citroen ami türkiye de boy göstermeye başlayan mikro model hakkında bilmeniz gerekenler ozan Öğretmenoğlu 29 eylül 2021 21 12 güncelleme 01 ekim 2021 09 27 Şehir içi ulaşımda radikal bir alternatif olma iddiasını taşıyan citroen ami türkiye de yollarında çekilen görüntülerle gündem yaratmaya başladı

pdf la citroa n ami 6 8 et super de mon pa re - May 12 2023

web la citroa n ami 6 8 et super de mon pa re the car book mar 17 2020 a lavishly illustrated history of the automobile the marques the machines and the magic from the first motor cars to today s supercars and environmentally friendly electric models this is the ultimate ebook about the history of the car includes stunning photography and

la citroa n ami 6 8 et super de mon pa re pdf download only - Sep 04 2022

web jun 1 2023 as this la citroa n ami 6 8 et super de mon pa re pdf it ends stirring visceral one of the favored books la citroa n ami 6 8 et super de mon pa re pdf collections that we have this is why you remain in the best website to see the incredible book to have la citroa n ami 6 8 et super de mon pa re gestudy byu edu

citroën ami 6 8 et super wikipédia - Jul 14 2023

web la carrosserie dérivée de l ami 8 est un coupé 2 2 une majorité de pièces est spécifique à la m35 portes plus longues pour un meilleur accès aux places arrière pare brise à coins plus carrés lunette arrière plate et agrandie porte de coffre spécifique ailes arrière découpées au niveau des roues pli de la tôle autour

la citroa n ami 6 8 et super de mon pa re pdf qr bonide - Mar 10 2023

web la citroa n ami 6 8 et super de mon pa re tout sur l auto dictionary catalog of the research libraries of the new york public library 1911 1971 je n ai pas chanté pour le roi d afghanistan la citroën ami 6 8 et super de mon père baile de reuniones il guru del vino citroën ami 8 huit ami 6 35 ch ak b 33 ch terreau modern publicity

la citroa n ami 6 8 et super de mon pa re pdf pdf - Mar 30 2022

web apr 23 2023 la citroa n ami 6 8 et super de mon pa re pdf eventually you will extremely discover a additional experience and achievement by spending more cash yet when pull off you agree to that you require to get those every needs with having significantly cash why dont you try to get something basic in the beginning

la citroa n ami 6 8 et super de mon pa re pdf download - Feb 09 2023

web les amis de mon meilleur ami ascrebtrouve en possession des inquisiteurs de la lancea sanctum seul un vampire affilié à cette secte peut espérer avoir accès à un tel ouvrage et malheureusement pour lui le baron ne fait pas partie des sanctifiés si le personnage pouvait emprunter le livre pour le compt jan 2th

la citroa n ami 6 8 et super de mon pa re copy ci kubesail - Dec 07 2022

web 2 la citroa n ami 6 8 et super de mon pa re 2023 08 19 la citroa n ami 6 8 et super de mon pa re downloaded from ci kubesail com by guest davies marco olson s complete motoring guide to france switzerland italy ediciones albores architects alison and peter smithson kept a visual diary of a drive from their london office to their

citroen ami ne zaman satışa çıkacak menzili ne kadar İşte citroen ami - Feb 26 2022

web dec 14 2021 citroen in ami adlı yeni elektrikli model otomobili mart 2022 de türkiye de satışa çıkması bekleniyor fransa da 7 bin eurodan satılan citroen ami nin türkiye deki satış fiyatının 150 180 bin tl aralığında olması öngörülüyor İşte

la citroa n ami 6 8 et super de mon pa re dallas lin 14 - Jun 01 2022

web encore l ami 6 est une importante charnière dans l histoire de la marque elle est la dernière voiture à avoir été conçue par flaminio bertonni en collaboration avec robert opron qui allait par la suite devenir le patron du style chez citroën plus tard l ami 8 et l ami super allaient prolonger l évolution de ce modèle

la citroa n ami 6 8 et super de mon pa re gestudy byu edu - Apr 30 2022

web feb 23 2023 that will guide you to comprehend even more re the globe experience some places as soon as history amusement and a lot more it is your utterly own become old to piece of legislation reviewing habit accompanied by guides you could enjoy now is la citroa n ami 6 8 et super de mon pa re below

5 choses à savoir avant de craquer citroën ami 8 l ancêtre le - Jan 28 2022

web apr 12 2021 1 ami 8 ou ami super lancée en 1969 avec le célèbre flat twin de la 2cv de 32 ch l ami 8 profitera d une version ami super en 1973

la citroa n ami 6 8 et super de mon pa re pdf marbach odin - Jun 13 2023

web la citroa n ami 6 8 et super de mon pa re pdf is available in our digital library an online entry to it is set as public fittingly you can download it instantly our digital library saves in merged countries allowing you to get the most less latency time to download any of our books as soon as this one merely said the la citroa n ami 6 8 et

la citroa n ami 6 8 et super de mon pa re pdf download only - Apr 11 2023

web la citroa n ami 6 8 et super de mon pa re pdf this is likewise one of the factors by obtaining the soft documents of this la citroa n ami 6 8 et super de mon pa re pdf by online you might not require more times to spend to go to the books instigation as capably as search for them in some cases you likewise reach not discover the

la citroën ami 6 8 et super de mon père pocketbok amazon se - Aug 15 2023

web livre pour les fan de l ami 6 8 et super il de est bien documenté et la reliure et bonne également

la citroa n ami 6 8 et super de mon pa re jda cqa4 e4score - Nov 06 2022

web as this la citroa n ami 6 8 et super de mon pa re it ends occurring mammal one of the favored book la citroa n ami 6 8 et

super de mon pa re collections that we have this is why you remain in the best website to look the unbelievable books to have la citroa n ami 6 8 et super de mon pa re 2020 09 13 melendez george

[la citroa n ami 6 8 et super de mon pa re a3 phasescientific](#) - Aug 03 2022

web la citroën ami 6 de mon père dictionary catalog of the research libraries of the new york public library 1911 1971 la citroën ami 6 8 et super de mon père tintin hergé et les autos la citroa n ami 6 8 et super de mon pa re downloaded from a3 phasescientific com by guest bautista sheppard oag official airline guide

cover letter for driver position 5 samples optimistminds - Dec 06 2022

web mar 21 2023 this article will list samples of cover letters for a driver position how to write a driver s cover letter when applying for a driver position your cover letter is an opportunity for you to tell your story without being stuck

3 delivery driver cover letter examples stand out - May 11 2023

web template 1 good morning ben attached you will find my cv for the delivery driver position at amazon flex as advertised on glassdoor with a strong track record of safe and efficient driving combined with exceptional customer service skills i am confident that i can uphold your organisation s reputation

delivery driver cover letter example and template for 2023 - Feb 08 2023

web mar 15 2023 cover letter samples delivery driver cover letter example and template for 2023 indeed editorial team updated august 27 2023 if you re interested in becoming a delivery driver it s important to know how to craft a compelling cover letter to gain the attention of a potential employer

driver cover letter examples samples for 2023 jobhero - Jan 07 2023

web a professional cover letter is the first step toward your new job build a cover letter today a driver career is ideal for those who have excellent skills on the road show companies what you can do using ideas from cover letter samples at jobhero

[sample job application cover letter for driver position](#) - Sep 15 2023

web this comprehensive guide will explore the critical elements of a practical application letter for a driver position by following our guidelines and utilizing the provided sample formats you can maximize your chances of success and land the driver job you aspire to

driver job application letter sample job application for the - Apr 29 2022

web jul 2 2021 driver job application letter sample job application for the post of driver july 2 2021 to receiver s details name company s name address date date subject application for the post of driver dear sir madam

driver logistics driver cover letter samples examples 2023 - Jun 12 2023

web dec 14 2022 only people who got hired help center cover letter examples transportation logistics driver share this page table of contents how to write an impressive driver cover letter so you ve completed your cdl training and you re ready to

start your new career as a professional truck driver

real driver cover letter example for 2023 enhancv - Apr 10 2023

web professional driver cover letter example for 2023 read for inspiration or use it as a base to improve your own driver cover letter just replace personal information company application data and achievements with your own create a cover letter read the guide shakki howard driver manufacturing automotive 1 555 0100

driver cover letter sample skills writing guide resume now - Nov 05 2022

web use the following professional driver cover letter sample and writing tips to refine and strengthen your cover letter and increase your hiring potential then if you haven t already done so consider building a resume that perfectly complements your cover letter

driver cover letter with examples zippia - Mar 09 2023

web driver cover letter with examples zippia writing a driver cover letter can be a daunting task for a lot of people it s difficult to talk about themselves especially in a cover letter to be successful it needs to grab the recruiter or hiring manager s attention and encourage them to read more

job application letter for driver post semioffice com - Oct 04 2022

web dear sir i am writing to apply for the position of a driver in your esteemed company with two years of driving experience i hold both ltv and htv licenses throughout my career i have operated various vehicles including mention vehicle names

driver cover letter examples expert tips free resume io - Aug 14 2023

web this guide along with an effective driver cover letter example will outline the advantages of writing a thoughtful cover letter for each position break down good cover letter format and provide free examples samples and templates detail the power of storytelling as a persuasive cover letter strategy

how to write a driver cover letter with template and example - Jul 01 2022

web mar 6 2023 how to write a driver cover letter with template and example indeed editorial team updated 6 march 2023 those who drive at a professional level have an excellent understanding of vehicle functionality and a passion for the automotive industry

cover letter for driver lazyapply - May 31 2022

web cover letter for driver lazyapply driver cover letter examples and template check out these driver cover letter sample and examples previously used by job seekers to land on job interviews as driver use our ai cover letter generator to create a personalized cover letter as driver 4 5 star rated 523 users create cover letter now

cover letter example for a professional driver position 2022 - Mar 29 2022

web aug 10 2020 re application driver position dear mr wilson i am excited to be applying for the open driver position as

advertised on website com under section work at with more than ten years of experience as a professional driver i developed time management skills and an excellent driving record

[sample job application letter for driver position](#) - Aug 02 2022

web feb 27 2023 before you send it make sure to check for mistakes a well written driver job application letter can help you stand out and improve your chances of getting an interview if you re looking for samples of such letters we ve got you covered check out our examples for driver job applications

professional driver cover letter examples driving livecareer - Sep 03 2022

web home 000 000 0000 email email com re driver 679 august 16 2014 dear mr beathan looking for a dynamic driver search no further because i am ready for the job with over 11 years experience as a driver i will step in and make an immediate contribution to tivekka taxi s continued success you are seeking someone who can

3 driver cover letter samples writing guide clr - Jul 13 2023

web sep 20 2023 driver cover letter sample 1 ian bard 25 new maple street rush city mn 51242 000 141 0101 email september 20 2023 mr charles penn human resource manager company name 8565 crest

driver cover letter example and template for 2023 indeed com - Oct 16 2023

web jan 4 2023 learn how to write a driver cover letter and see an example cover letter you can use as a reference when witting your own job application for this position

driver cover letter samples 17 examples unleash cash - Feb 25 2022

web nov 4 2022 1 driver cover letter sample dear recruiter name i am writing in response to your open position for a driver i am excited to apply for the position as this is a fantastic opportunity to join a company with such an exciting mission