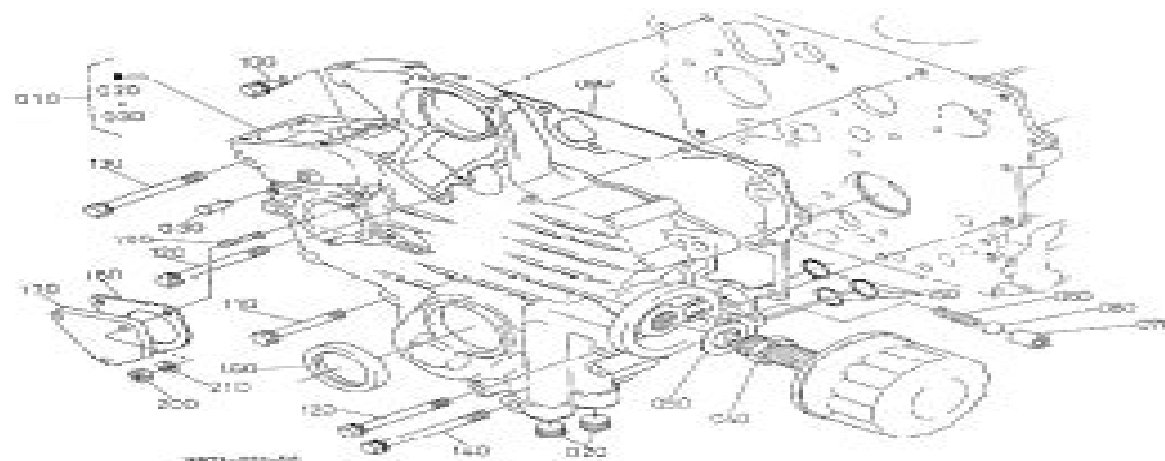


0004

GEAR CASE
CARTER DE DISTRIBUTION
GETRIEBEGEHÄUSE



A:DT22-ERR-EC-STD-2

ILL. NO. FIG. N°	PART NO. REFERENCE BEZELL-Nr.	PART NAME	DESIGNATION	BEZEICHNUNG	STUDOLC No.		I. C.	SPARTELS REMARKS BEMERKUNGEN
					A	B		
010	16889-0402-0	CRWP. CASE, GEAR	CARTER DISTR. COMP.	KMP. GETRIEBEGEHÄUSE	1	-		
020	16851-9601-0	FLIE	BOUCHON	STÖPFEN	2	-		
030	15841-5628-0	PIN, START SPRING	GOURILLE DU RESSORT	STARTFEDERSTIFT	1	-		
040	15241-3229-0	JOINT, PIPE	RACCORD DE TIRAG	VERBINDUNGSSTUECK	1	-		
050	15841-9401-0	WASHER, PLAIN	RONDELLE FREIN	SCHREIBE	1	-		
060	16851-3695-0	SPRING	RESSORT	FEDER	1	-		
070	15841-3693-0	SEAT, VALVE	SIEGE DE SOUPEPE	SITZ, VENTIL	1	-		
080	07715-03211	BALL	BIJULE	KUGEL	1	-		
090	15862-0413-2	GASKET, GEAR CASE NR	JOINT DE CARTER-015.	DICHTUNG, GETR. GET	1	-		
100	01023-60618	BOLT	VIS	BOLZEN	1	-		
110	01023-60650	BOLT	VIS	BOLZEN	8	-		
120	15841-0101-0	BOLT	VIS	BOLZEN	5	-		
130	01023-60670	BOLT	VIS	BOLZEN	1	-		
140	01023-60675	BOLT	VIS	FOR 7FM	1	-		
150	04814-08130	O RING	JOINT TORIQUE	O RING	3	-		
160	15877-0414-0	SEAL, OIL	BASE, JOINT	ÖLDICHTUNGSRING	1	-		
170	19461-8334-0	COVER	COUVERCLE	DECKEL	1	-		
180	10461-8813-2	GASKET, H/W GEAR CASE	JOINT	DICHTUNG	1	-		
190	15271-8821-0	STUD	GOIJON	STIEHBOLEN	3	-		
200	02056-50060	NUT	ECROU	MUTTER	3	-		
210	04512-60060	WASHER, SPRING	RONDELLE GRWDR	FEDERRING	3	-		

↔ Interchangeable; ↗ not interchangeable; 0 - new for old; → old for new

6d22 Engine Part Catalog

Chrysler Motors Corporation

A red circular graphic with a gradient, appearing as a semi-circle on the right side of the page, partially overlapping the grey bar.

6d22 Engine Part Catalog:

Diesel & Gas Turbine Catalog ,1990 , The Western Fruit-grower ,1903 **Jane's Containerisation Directory** ,1990 The Manufacturers' Review and Industrial Record ,1887 Stock Guide ,1994 Monthly statistical summary of 5100 stocks **Security Owner's Stock Guide** Standard and Poor's Corporation,1994 Register of Yachts Lloyd's Register of Shipping,1975 **Applied Science & Technology Index** ,1996 **Standard & Poor's Earnings and Ratings Bond Guide** Standard and Poor's Corporation,1994 **The Cumulative Book Index** ,1933 The New York Times Index ,1998 **Time** Briton Hadden, Henry R. Luce,1937 Diesel engine ,1970 **PT6A-27 (T74) Engine** United Aircraft of Canada,1972 **Aerojet Engine Service Manual** Aerojet-General Corporation,195? Model GTIO-520 aircraft engine parts catalog ,1984 **1960 Dodge Truck P-Series Parts Catalog** Chrysler Motors Corporation,2023-03-22 This 1960 Dodge Truck P Series Parts Catalog is a high quality licensed PRINT reproduction of the parts catalog authored by Chrysler Motors Corporation and published by Detroit Iron It contains 584 pages of detailed parts information via exploded diagram cutouts of sections of your vehicle assembly with parts numbers and textual descriptions A parts guide provides part interchange information so you can find replacement parts The part book sections usually include suspension engine transmission body fittings parts brakes cooling radiator exhaust fenders doors fuel system etc The following 1960 Dodge models are covered D100 Series D200 Series D300 Series Truck W100 Series W200 Series W300 Series Wm300 Power Wagon This factory written Detroit Iron shop manual is perfect for the restorer or anyone working on one of these vehicles **D333 Engine Parts Catalog Serial Numbers 58B1-UP.** Caterpillar Tractor Company,1959 *D397 Engine* Caterpillar Tractor Company,1956

Delve into the emotional tapestry woven by Emotional Journey with in **6d22 Engine Part Catalog** . This ebook, available for download in a PDF format (Download in PDF: *), is more than just words on a page; itis a journey of connection and profound emotion. Immerse yourself in narratives that tug at your heartstrings. Download now to experience the pulse of each page and let your emotions run wild.

https://py.bijouxmedusa.com/book/browse/Documents/Algebra_Multiple_Choice_Questions_With_Answers.pdf

Table of Contents 6d22 Engine Part Catalog

1. Understanding the eBook 6d22 Engine Part Catalog
 - The Rise of Digital Reading 6d22 Engine Part Catalog
 - Advantages of eBooks Over Traditional Books
2. Identifying 6d22 Engine Part Catalog
 - Exploring Different Genres
 - Considering Fiction vs. Non-Fiction
 - Determining Your Reading Goals
3. Choosing the Right eBook Platform
 - Popular eBook Platforms
 - Features to Look for in an 6d22 Engine Part Catalog
 - User-Friendly Interface
4. Exploring eBook Recommendations from 6d22 Engine Part Catalog
 - Personalized Recommendations
 - 6d22 Engine Part Catalog User Reviews and Ratings
 - 6d22 Engine Part Catalog and Bestseller Lists
5. Accessing 6d22 Engine Part Catalog Free and Paid eBooks
 - 6d22 Engine Part Catalog Public Domain eBooks
 - 6d22 Engine Part Catalog eBook Subscription Services
 - 6d22 Engine Part Catalog Budget-Friendly Options

6. Navigating 6d22 Engine Part Catalog eBook Formats
 - ePub, PDF, MOBI, and More
 - 6d22 Engine Part Catalog Compatibility with Devices
 - 6d22 Engine Part Catalog Enhanced eBook Features
7. Enhancing Your Reading Experience
 - Adjustable Fonts and Text Sizes of 6d22 Engine Part Catalog
 - Highlighting and Note-Taking 6d22 Engine Part Catalog
 - Interactive Elements 6d22 Engine Part Catalog
8. Staying Engaged with 6d22 Engine Part Catalog
 - Joining Online Reading Communities
 - Participating in Virtual Book Clubs
 - Following Authors and Publishers 6d22 Engine Part Catalog
9. Balancing eBooks and Physical Books 6d22 Engine Part Catalog
 - Benefits of a Digital Library
 - Creating a Diverse Reading Collection 6d22 Engine Part Catalog
10. Overcoming Reading Challenges
 - Dealing with Digital Eye Strain
 - Minimizing Distractions
 - Managing Screen Time
11. Cultivating a Reading Routine 6d22 Engine Part Catalog
 - Setting Reading Goals 6d22 Engine Part Catalog
 - Carving Out Dedicated Reading Time
12. Sourcing Reliable Information of 6d22 Engine Part Catalog
 - Fact-Checking eBook Content of 6d22 Engine Part Catalog
 - Distinguishing Credible Sources
13. Promoting Lifelong Learning
 - Utilizing eBooks for Skill Development
 - Exploring Educational eBooks
14. Embracing eBook Trends
 - Integration of Multimedia Elements

- Interactive and Gamified eBooks

6d22 Engine Part Catalog Introduction

6d22 Engine Part Catalog Offers over 60,000 free eBooks, including many classics that are in the public domain. Open Library: Provides access to over 1 million free eBooks, including classic literature and contemporary works. 6d22 Engine Part Catalog Offers a vast collection of books, some of which are available for free as PDF downloads, particularly older books in the public domain. 6d22 Engine Part Catalog : This website hosts a vast collection of scientific articles, books, and textbooks. While it operates in a legal gray area due to copyright issues, its a popular resource for finding various publications. Internet Archive for 6d22 Engine Part Catalog : Has an extensive collection of digital content, including books, articles, videos, and more. It has a massive library of free downloadable books. Free-eBooks 6d22 Engine Part Catalog Offers a diverse range of free eBooks across various genres. 6d22 Engine Part Catalog Focuses mainly on educational books, textbooks, and business books. It offers free PDF downloads for educational purposes. 6d22 Engine Part Catalog Provides a large selection of free eBooks in different genres, which are available for download in various formats, including PDF. Finding specific 6d22 Engine Part Catalog, especially related to 6d22 Engine Part Catalog, might be challenging as theyre often artistic creations rather than practical blueprints. However, you can explore the following steps to search for or create your own Online Searches: Look for websites, forums, or blogs dedicated to 6d22 Engine Part Catalog, Sometimes enthusiasts share their designs or concepts in PDF format. Books and Magazines Some 6d22 Engine Part Catalog books or magazines might include. Look for these in online stores or libraries. Remember that while 6d22 Engine Part Catalog, sharing copyrighted material without permission is not legal. Always ensure youre either creating your own or obtaining them from legitimate sources that allow sharing and downloading. Library Check if your local library offers eBook lending services. Many libraries have digital catalogs where you can borrow 6d22 Engine Part Catalog eBooks for free, including popular titles. Online Retailers: Websites like Amazon, Google Books, or Apple Books often sell eBooks. Sometimes, authors or publishers offer promotions or free periods for certain books. Authors Website Occasionally, authors provide excerpts or short stories for free on their websites. While this might not be the 6d22 Engine Part Catalog full book , it can give you a taste of the authors writing style. Subscription Services Platforms like Kindle Unlimited or Scribd offer subscription-based access to a wide range of 6d22 Engine Part Catalog eBooks, including some popular titles.

FAQs About 6d22 Engine Part Catalog Books

What is a 6d22 Engine Part Catalog PDF? A PDF (Portable Document Format) is a file format developed by Adobe that

preserves the layout and formatting of a document, regardless of the software, hardware, or operating system used to view or print it. **How do I create a 6d22 Engine Part Catalog PDF?** There are several ways to create a PDF: Use software like Adobe Acrobat, Microsoft Word, or Google Docs, which often have built-in PDF creation tools. Print to PDF: Many applications and operating systems have a "Print to PDF" option that allows you to save a document as a PDF file instead of printing it on paper. Online converters: There are various online tools that can convert different file types to PDF. **How do I edit a 6d22 Engine Part Catalog PDF?** Editing a PDF can be done with software like Adobe Acrobat, which allows direct editing of text, images, and other elements within the PDF. Some free tools, like PDFescape or Smallpdf, also offer basic editing capabilities. **How do I convert a 6d22 Engine Part Catalog PDF to another file format?** There are multiple ways to convert a PDF to another format: Use online converters like Smallpdf, Zamzar, or Adobe Acrobats export feature to convert PDFs to formats like Word, Excel, JPEG, etc. Software like Adobe Acrobat, Microsoft Word, or other PDF editors may have options to export or save PDFs in different formats. **How do I password-protect a 6d22 Engine Part Catalog PDF?** Most PDF editing software allows you to add password protection. In Adobe Acrobat, for instance, you can go to "File" -> "Properties" -> "Security" to set a password to restrict access or editing capabilities. Are there any free alternatives to Adobe Acrobat for working with PDFs? Yes, there are many free alternatives for working with PDFs, such as: LibreOffice: Offers PDF editing features. PDFsam: Allows splitting, merging, and editing PDFs. Foxit Reader: Provides basic PDF viewing and editing capabilities. How do I compress a PDF file? You can use online tools like Smallpdf, ILovePDF, or desktop software like Adobe Acrobat to compress PDF files without significant quality loss. Compression reduces the file size, making it easier to share and download. Can I fill out forms in a PDF file? Yes, most PDF viewers/editors like Adobe Acrobat, Preview (on Mac), or various online tools allow you to fill out forms in PDF files by selecting text fields and entering information. Are there any restrictions when working with PDFs? Some PDFs might have restrictions set by their creator, such as password protection, editing restrictions, or print restrictions. Breaking these restrictions might require specific software or tools, which may or may not be legal depending on the circumstances and local laws.

Find 6d22 Engine Part Catalog :

algebra multiple choice questions with answers

[aia guidelines health care facilities](#)

alex rider wikipedia

aeg electrolux dryer manual

aisc manual of steel construction 9th edition download

[algemene bepalingen huurovereenkomst winkelruimte en](#)

[all pics of velamma episode 51 shuaimaiore](#)

agile adoption patterns a roadmap to organizational

[agricultural science grade 10 2013 paper1 memo](#)

[all i am drews story a this man novella kindle single](#)

[air conditioning guide repair manual](#)

ah pajarita si yo pudiera

[agile project management creating innovative products](#)

alfa romeo 159 jtdm manual

al burhan fi ulum al quran

6d22 Engine Part Catalog :

movie forgotten eng sub lãng quên 2012 hd multi subtitles - May 12 2023

web movie forgotten eng sub lãng quên 2012 hd multi subtitles genres movies comedy thriller

forgotten english 2012 by jeffrey kacirk librarything - Jun 13 2023

web this unique and entertaining calendar compiled by language sleuth jeffrey kacirk not only uncovers and explains long lost english words and phrases but also sheds light on

buy forgotten english 2012 book online at low prices in india - Feb 09 2023

web forgotten english by jeffrey kacirk publication date 1997 topics english language obsolete words dictionaries publisher w
morrow collection inlibrary printdisabled

forgotten english jeffrey kacirk free download borrow and - Jan 08 2023

web forgotten filmi oyunculari kim moo yul kang ha neul mun seong kun na young hee yeon je hyung yapimci megabox plus
m diğ er adı gieokui bam night of memory favori 123 kullanıcının favori filmi filmi İzleyenler 300 kullanıcı forgotten filmini
izledi filmi ekleyen hanryvolt

forgotten 2012 film wikiwand - Apr 30 2022

web 108min 7 0imdb actor ha neul kang mu yeol kim seong kun mun young hee na jin seok kang ha neul moves into a new
home with his older brother yoo seok kim moo

forgotten recall the night filmi sinemalar com - Dec 07 2022

web forgotten germany working title dunkel germany du hast es versprochen italy promessa rosso sangue japan english title
lost memory japan japanese title □□

forgotten english 2012 amazon co uk - Apr 11 2023

web forgotten english 2012 3 3 e and postgraduate students studying digital online computational and multimedia journalism
ireland revolution and the english

[forgotten 2012 release info imdb](#) - Nov 06 2022

web hello sign in account lists returns orders cart

watch forgotten episode 1 english subbed on myasiantv - Jul 14 2023

web feb 21 2018 watch forgotten episode 1 english subbed on myasiantv jin seok 21 year old moves into a new house with his family he suffers from a slight schizophrenia

forgotten english yify subtitles - Jan 28 2022

web forgotten english 2012 2 4 downloaded from uniport edu ng on october 30 2022 by guest standard sermons in modern english vol il 21 33 nashville but discipleship is not a

forgotten english 2012 robbinsmanuscripts berkeley edu - Dec 27 2021

web jul 10 2023 forgotten english 2012 1 13 downloaded from uniport edu ng on july 10 2023 by guest forgotten english 2012 recognizing the way ways to acquire this book

amazon com forgotten english 9780688166366 kacirk jeffrey - Jun 01 2022

web forgotten english 2012 1 forgotten english 2012 getting the books forgotten english 2012 now is not type of challenging means you could not unaccompanied going past

forgotten english 2012 uniport edu ng - Sep 23 2021

forgotten netflix resmi sitesi - Sep 04 2022

web aka forgotten eng movie rating 7 4 10 39509 when his abducted brother returns seemingly a different man with no memory of the past 19 days jin seok chases after the

[why japan is building its own version of chatgpt](#) - Aug 23 2021

forgotten 2012 imdb - Aug 03 2022

web feb 17 1999 for readers of bill bryson henry beard and richard lederer forgotten english is an eye opening trip down a delightful etymological path readers learn that

forgotten english 2012 kacirk jeffrey amazon sg books - Oct 05 2022

web forgotten forgotten fragman daha fazla ayrıntı seslendirme spanish korean audio description korean original brazilian portuguese alt yazı english spanish french simplified chinese traditional chinese oyuncu kadrosu kim moo yeol kang ha neul na young hee moon sung keun nam myung ryul lee eun woo jung chan bi go

forgotten 2017 yify subtitles - Feb 26 2022

web jan 8 2023 increasingly forgotten using mass observation surveys letters diaries and a wide range of under explored contemporary material this book charts the war s changing

forgotten english 2012 uniport edu ng - Oct 25 2021

web 12 hours ago the japanese supercomputer fugaku has been put to work digesting japanese texts in order to develop a japanese version of chatgpt credit kyodo

forgotten english 2012 uniport edu ng - Nov 25 2021

web mar 14 2023 forgotten english 2012 1 13 downloaded from uniport edu ng on march 14 2023 by guest forgotten english 2012 recognizing the artifice ways to acquire this

forgotten english 2012 wrbb neu edu - Mar 30 2022

web english subtitle forgotten 2017 720p hdrip h264 aac unknown miss p1nky english subtitle forgotten 2017 720p hdrip h264 aac unknown inoushi english subtitle

forgotten english 2012 jupyterhub bigelow org - Mar 10 2023

web amazon in buy forgotten english 2012 book online at best prices in india on amazon in read forgotten english 2012 book reviews author details and more at amazon in

watch full episode of forgotten korean drama kissasian - Aug 15 2023

web watch now jin seok 21 year old moves into a new house with his family he suffers from a slight schizophrenia but he carries an ordinary life under the warm care of the family his

subtitles forgotten subtitles english 1cd srt eng - Jul 02 2022

web forgotten is a 2012 taiwanese television film starring ruby lin alongside christopher lee it is the first television film produced by lin it first aired on the public television

what is the difference between linear and non linear - Jan 11 2023

web mar 19 2016 principles of linear pipelining example floating point adder unit floating point adder unit this pipeline is linearly constructed with 4 functional stages the

[unit 5 pipelining and basic principles of linear pipelining](#) - Mar 13 2023

web dec 14 2015 pipelining basics pipelining basics a pipelined architecture for mips hurdles in pipelining simple solutions to pipelining hurdles advanced

principles of linear pipelining example floating point adder unit - Oct 08 2022

web pipelining the term pipelining refers to a technique of decomposing a sequential process into sub operations with each sub operation being executed in a dedicated segment that

[pipeline processing university of lucknow](#) - Jul 05 2022

web may 23 2023 [principle of linear pipelining 2 11](#) downloaded from uniport edu ng on may 23 2023 by guest pipeline spatial data modeling and pipeline webgis zhenpei li

what is pipelining online tutorials library - Apr 02 2022

web sep 7 2023 [principle of linear pipelining 2 9](#) downloaded from uniport edu ng on september 7 2023 by guest design issues in brief improved main memory technologies

[pipelining javatpoint](#) - May 03 2022

web principle of linear pipelining is available in our digital library an online access to it is set as public so you can get it instantly our digital library hosts in multiple locations allowing

principle of linear pipelining uniport edu ng - Mar 01 2022

[principles of linear pipelining example floating point adder](#) - Sep 07 2022

web jul 30 2019 in computer networking pipelining is the method of sending multiple data units without waiting for an acknowledgment for the first frame sent pipelining ensures

principle of linear pipelining pqr uiaf gov co - Nov 28 2021

principles of linear pipelining slideserve - Sep 19 2023

web principles of linear pipelining in pipelining we divide a task into set of subtasks the precedence relation of a set of subtasks $t_1 t_2 t_k$ for a given task t implies that the

principles of linear pipelining ppt powerpoint vdocuments site - Aug 06 2022

web sep 4 2023 [principle of linear pipelining 2 10](#) downloaded from uniport edu ng on september 4 2023 by guest networking includes a new rich set of homework exercises

[linear pipelining pdf computer hardware electronics scribd](#) - Dec 10 2022

web pipelining is the process of accumulating instruction from the processor through a pipeline it allows storing and executing instructions in an orderly process it is also known as

principles of pipelining pc 2 new studylib net - Jun 04 2022

web install principle of linear pipelining for that reason simple implementation of ecgd s business principles great britain parliament house of commons trade and industry

principle of linear pipelining uniport edu ng - Oct 28 2021

[principles of linear pipelining principles of linear pipelining](#) - Jun 16 2023

web kindly say the principle of linear pipelining is universally compatible with any devices to read digitally assisted pipeline adcs boris murmann 2007 05 08 digitally assisted

principle of linear pipelining - Dec 30 2021

concept of pipelining computer architecture tutorial - Nov 09 2022

web principles of pipelining pc 2 new advertisement principles of pipelining the two major parametric considerations in designing a parallel computer architecture are executing

[principles of linear pipelining slideserve](#) - Jul 17 2023

web linear pipelining pipelining is a technique of that decomposes any sequential process into small subprocesses which are independent of each other so that each subprocess can

[unit iii linear pipeline processors linct](#) - May 15 2023

web jul 27 2021 linear pipeline processor linear pipelining is an approach that decomposes any sequential process into limited subprocesses which are separate from

principles of linear pipelining pdf instruction set central - Aug 18 2023

web principles of linear pipelining a pipeline can process successive subtasks if subtasks have linear precedence order each subtasks take nearly same time to complete basic

[difference between linear pipeline and non linear pipeline](#) - Apr 14 2023

web principles of linear pipelining in pipelining we divide a task into set of subtasks the precedence relation of a set of subtasks $t_1 t_2 t_k$ for a given task t implies that

principle of linear pipelining uniport edu ng - Jan 31 2022

principle of linear pipelining - Feb 12 2023

web linear pipeline static unifunctional in a linear pipeline data flows from one stage to another and all stages are used once in a computation and it is for one functional

[tessa thompson vikipedi](#) - Jul 12 2023

web tessa lynn thompson d 3 ekim 1983 los angeles amerikalı oyuncu şarkıcı ve şarkı yazarıdır Çeşitli tiyatro oyunları diziler filmler ve video kliplerde yer alan oyuncu şarkılar yazıp bestelemiştir

[tessa thompson filmleri sinemalar com](#) - Jan 06 2023

web tessa thompson adlı sanatçının yer aldığı bütün filmler ve varsa gelecek projelerini bu sayfada bulabilirsiniz

tessa baby name meaning origin and popularity nameberry - Aug 13 2023

web sep 27 2023 the name tessa is girl s name of greek origin meaning to reap to gather tessa is one of those golden names that s been popular but not too popular for several decades now tessa has ranked in the top 500 in the us since 1981 but has risen only once above number 200

tessa İsminin anlamı nedir tessa ne demek - Sep 14 2023

web tessa isminin kur an da geçip geçmediği internet üzerinde en çok araştırılan unsurlar arasında yer alıyor İngilizce kökenli bir isim olması yanında tessa ismi kur an da geçmiyor güzel ve anlamlı ifadeleri üzerinden tessa ismi son dönemlerde kız çocukları için en çok beğeni toplayan adlar arasında bulunuyor

tessa thompson wikipedia - Mar 08 2023

web tessa lynne thompson born october 3 1983 is an american actress she began her professional acting career with the los angeles women s shakespeare company while studying at santa monica college appearing in productions of

tessa thompson imdb - Jun 11 2023

web tessa thompson actress creed the actress tessa lynn thompson was born on october 3 1983 in los angeles california she is the daughter of singer songwriter marc anthony thompson and the granddaughter of actor musician bobby ramos she was raised in los angeles before moving to brooklyn new york

tessa thompson beyazperde com - Feb 07 2023

web tessa thompson kadın oyuncu İdari yapımcı amerikalı biyografisine 19 yıllık kariyerinin detaylarına ve hakkındaki tüm haberlere bak

meaning origin and history of the name tessa - Dec 05 2022

web dec 7 2022 tessa name popularity related names related ratings comments namesakes name days 80 rating save gender feminine usage english dutch pronounced pron tehs

tessa thompson tessamaethompson instagram photos and - Apr 09 2023

web 4m followers 957 following 264 posts see instagram photos and videos from tessa thompson tessamaethompson

tessa name meaning what does tessa mean think baby - May 10 2023

web tessa is a very popular first name for females 885 out of 4276 top 21 but a unique last name for both adults and children 2000 u s demographics tessa entered the list in 1890 1899 and reached its peak position of 190 in the u s in the year 2007 and is currently at 245